



US00D636483S

(12) **United States Design Patent**  
**Kempton et al.**

(10) **Patent No.:** **US D636,483 S**

(45) **Date of Patent:** **\*\* Apr. 19, 2011**

(54) **GEL CAP**

(76) Inventors: **Katherine Kempton**, Cheektowaga, NY  
(US); **Dina Atanas**, Brantford (CA)

(\*\*) Term: **14 Years**

(21) Appl. No.: **29/367,025**

(22) Filed: **Aug. 2, 2010**

(51) **LOC (9) Cl.** ..... **28-01**

(52) **U.S. Cl.** ..... **D24/104**

(58) **Field of Classification Search** ..... D24/100-104;  
D28/8.1, 8.2, 6; 424/451-462, 464-483  
See application file for complete search history.

5,188,688 A	2/1993	Boardman et al.	
D345,207 S	3/1994	Bennell et al.	
D390,457 S	2/1998	Hoska et al.	
D414,895 S *	10/1999	Olson et al. ....	D28/8.1
6,235,321 B1	5/2001	Kerrigan et al.	
D447,835 S *	9/2001	Whitaker et al. ....	D24/101
D457,621 S *	5/2002	Meron et al. ....	D24/104
D545,689 S	7/2007	Peel	
2003/0021869 A1	1/2003	West et al.	
2007/0211967 A1	9/2007	Murray	

\* cited by examiner

*Primary Examiner* — Charles A Rademaker

(74) *Attorney, Agent, or Firm* — Kyle Fletcher

(57) **CLAIM**

We claim the ornamental design for the gel cap, as shown and described.

**DESCRIPTION**

FIG. 1 is a front elevation of a gel cap showing our new design;

FIG. 2 is a top plan view thereof;

FIG. 3 is a bottom plan view thereof; and,

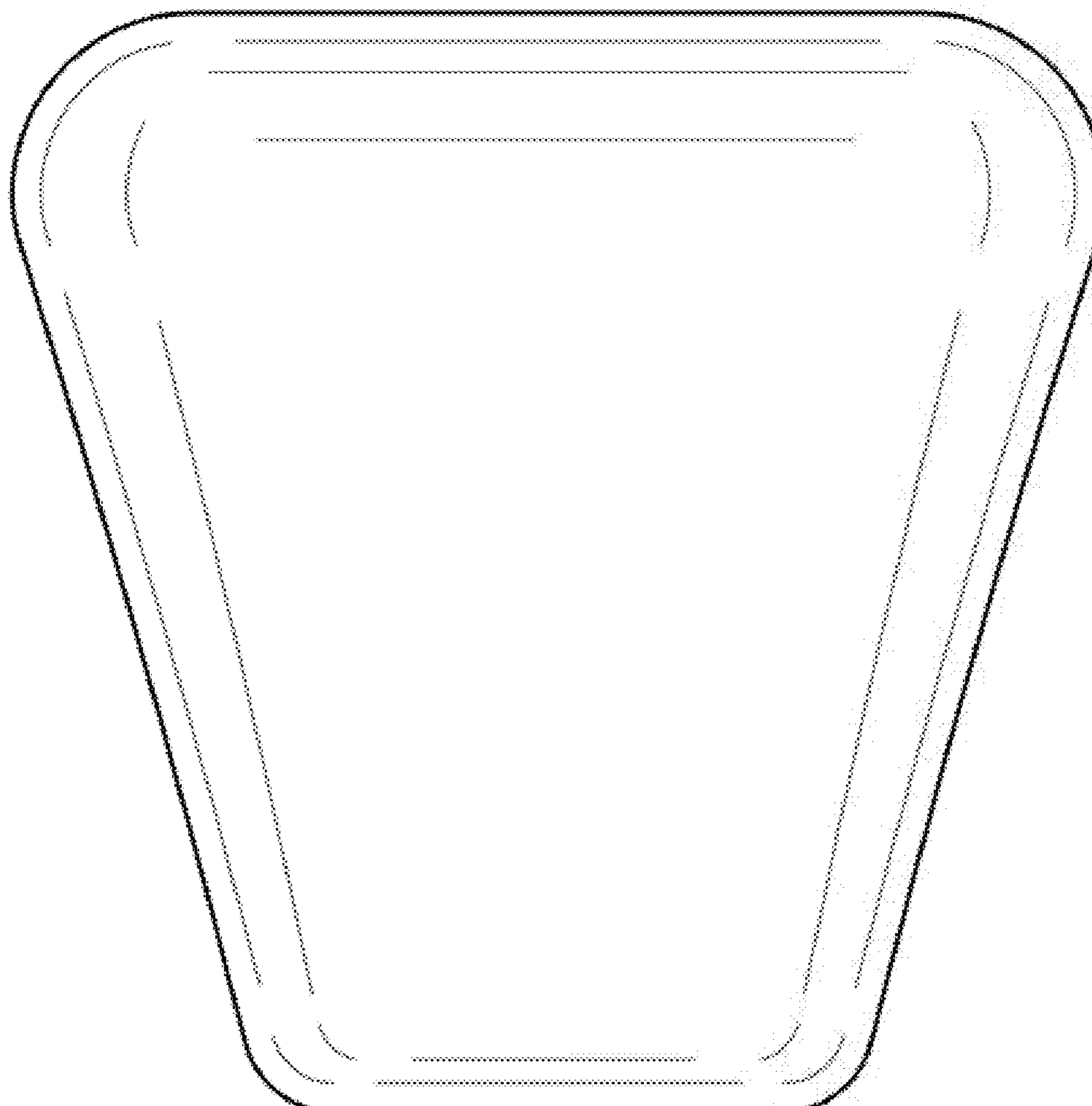
FIG. 4 is a perspective view thereof.

**1 Claim, 3 Drawing Sheets**

(56) **References Cited**

U.S. PATENT DOCUMENTS

D30,699 S *	5/1899	Trusler	.....	D24/100
D32,718 S *	5/1900	Kimmell	.....	D24/100
2,923,404 A	2/1960	Adell		
D214,599 S *	7/1969	Sizer	.....	D28/8.1
4,284,649 A	8/1981	Wiczer		
4,738,857 A	4/1988	Daher et al.		



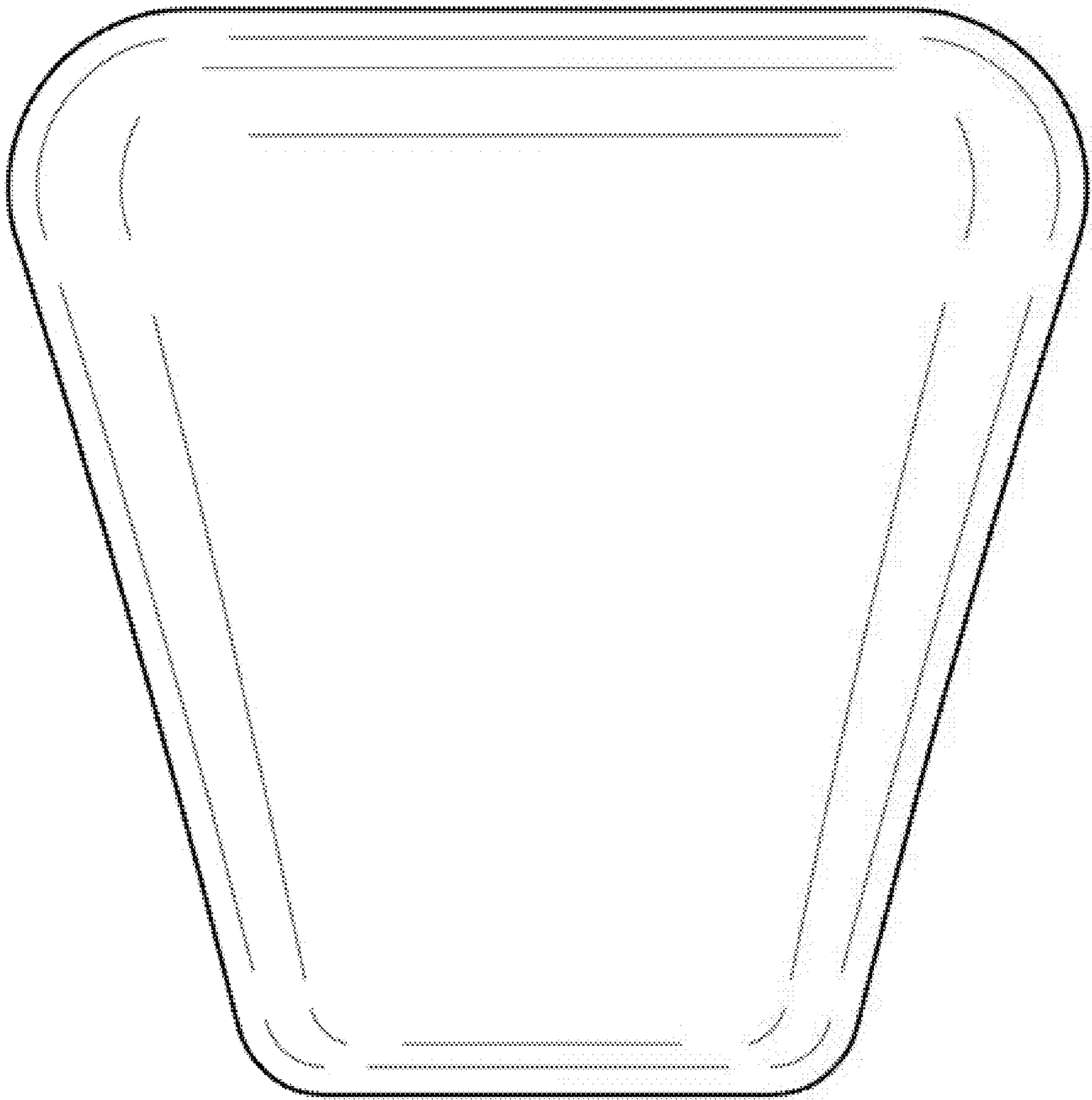


FIG. 1

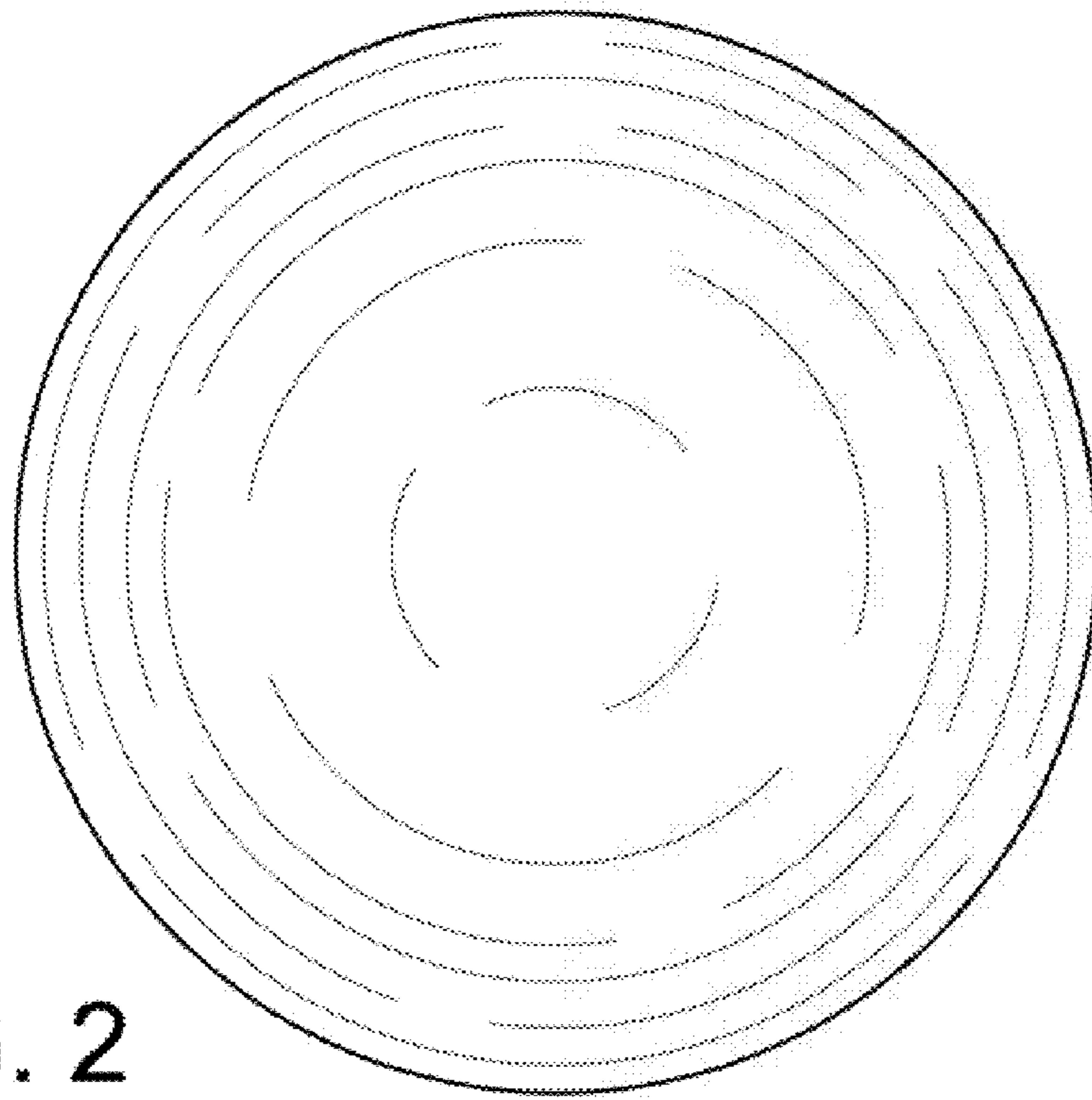


FIG. 2

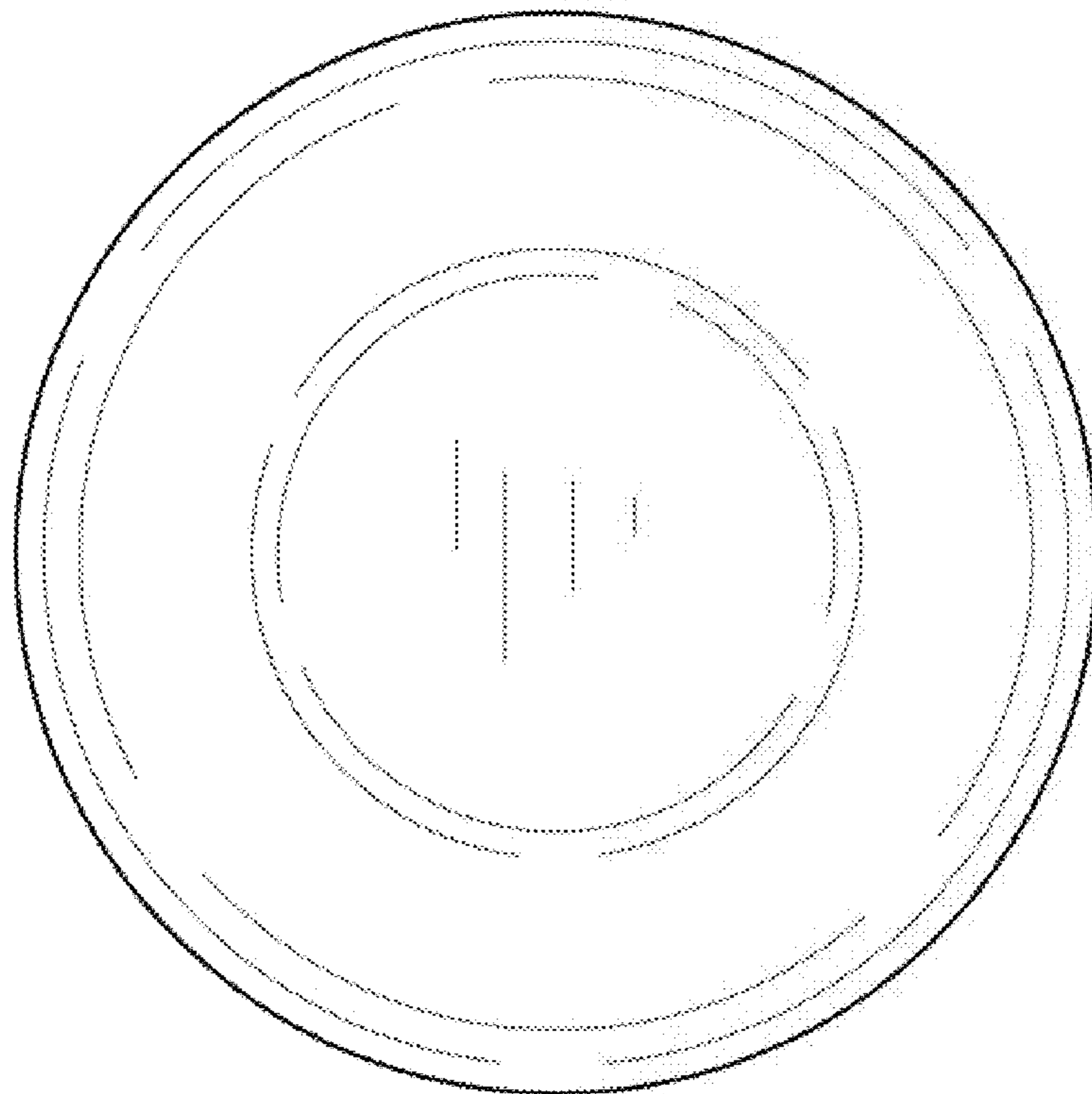


FIG. 3

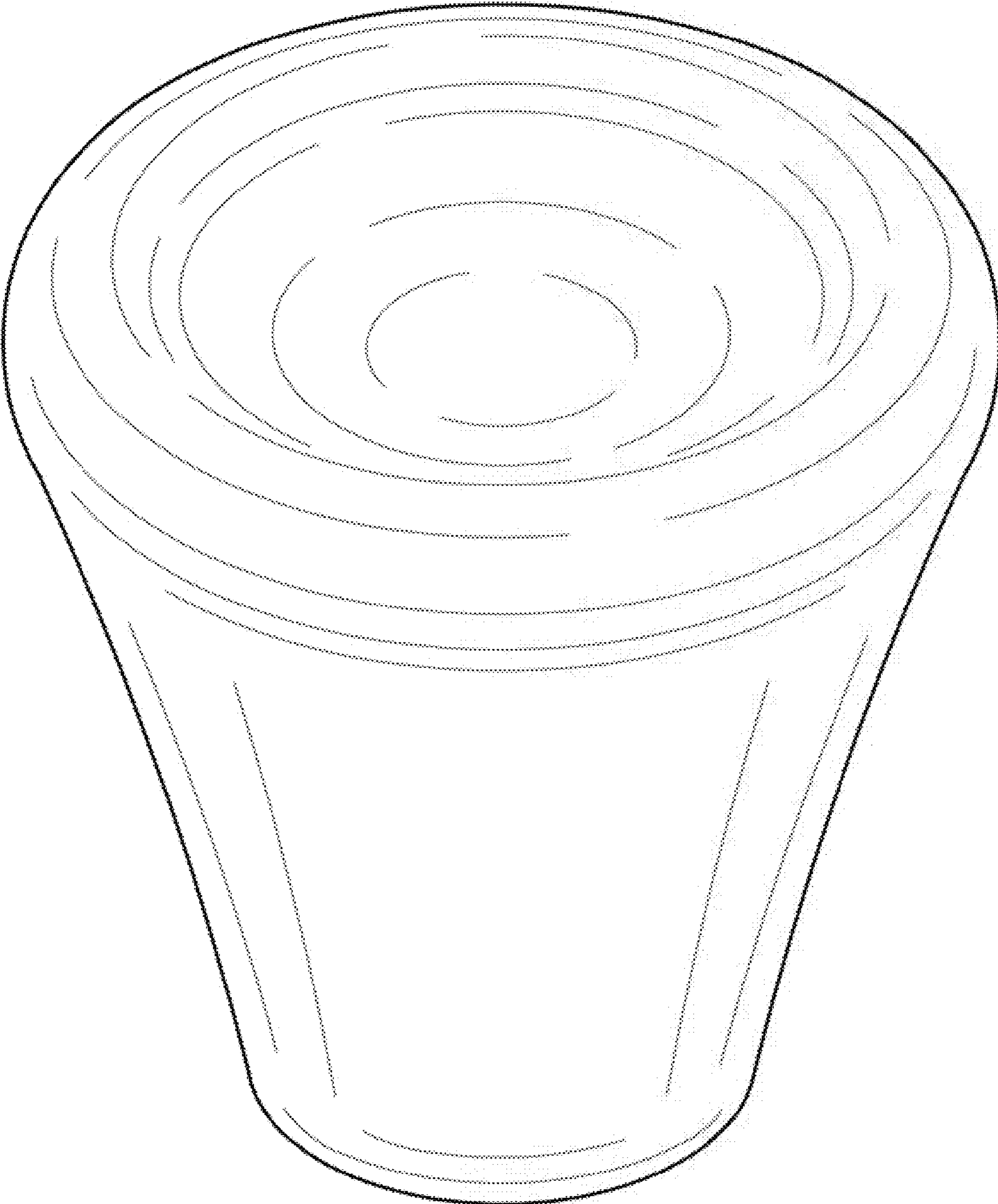


FIG. 4