

US00D636477S

(12) **United States Design Patent**  
**Anderson et al.**

(10) **Patent No.:** **US D636,477 S**  
(45) **Date of Patent:** **\*\* Apr. 19, 2011**

- (54) **JACKETED REFILL CARTRIDGE**
- (75) Inventors: **James Anderson**, Hull (GB); **Wu Jin**, Hull (GB); **Simon Woolley**, Hull (GB); **Ivan Ye**, Dongguan (CN)
- (73) Assignee: **Reckitt Benckiser (UK) Limited**, Berkshire (GB)
- (\*\*) Term: **14 Years**
- (21) Appl. No.: **29/362,503**
- (22) Filed: **May 26, 2010**

**Related U.S. Application Data**

- (62) Division of application No. 12/515,110, filed as application No. PCT/GB2007/004395 on Nov. 16, 2007.

(30) **Foreign Application Priority Data**

- Nov. 18, 2006 (GB) ..... 0623052.8
- (51) **LOC (9) Cl.** ..... **28-99**
- (52) **U.S. Cl.** ..... **D23/366**
- (58) **Field of Classification Search** ..... D23/355-369; 261/DIG. 17, DIG. 42, DIG. 65, DIG. 88, 261/DIG. 89; 239/34-36, 44-45, 53-54, 239/56-57, 60, 136, 152, 302, 326; 392/386, 392/390, 392, 394, 395; D28/5, 6  
See application file for complete search history.

(56) **References Cited**

**U.S. PATENT DOCUMENTS**

- 4,341,348 A \* 7/1982 Dearling ..... 239/34
- D350,600 S \* 9/1994 Rivero et al. .... D23/366
- 5,358,147 A \* 10/1994 Adams et al. .... 222/183

- 5,366,118 A \* 11/1994 Ciammitti et al. .... 222/153.1
- 5,875,934 A \* 3/1999 Miller et al. .... 222/183
- 6,237,812 B1 \* 5/2001 Fukada ..... 222/181.2
- 6,293,442 B1 \* 9/2001 Mollayan ..... 222/504
- 6,419,122 B1 \* 7/2002 Chown ..... 222/162
- 6,569,387 B1 \* 5/2003 Furner et al. .... 422/123
- 6,866,169 B2 \* 3/2005 Blanck et al. .... 222/402.13
- D541,921 S \* 5/2007 Muderlak et al. .... D23/366
- D547,851 S \* 7/2007 Anderson et al. .... D23/366
- D612,471 S \* 3/2010 Zlotnik et al. .... D23/366
- 2006/0076366 A1 \* 4/2006 Furner et al. .... 222/402.13
- 2007/0199952 A1 \* 8/2007 Carpenter et al. .... 222/52
- 2008/0061082 A1 \* 3/2008 Anderson et al. .... 222/183

\* cited by examiner

*Primary Examiner* — Sandra Snapp

(74) *Attorney, Agent, or Firm* — Norris McLaughlin & Marcus, P.A.

(57) **CLAIM**

The ornamental design for a jacketed refill cartridge, as shown and described.

**DESCRIPTION**

FIG. 1 is a perspective view of the jacketed refill cartridge design;

FIG. 2 is an elevation view of a first side of our jacketed refill cartridge design of FIG. 1;

FIG. 3 is an elevation view of a second side of our jacketed refill cartridge design of FIG. 1;

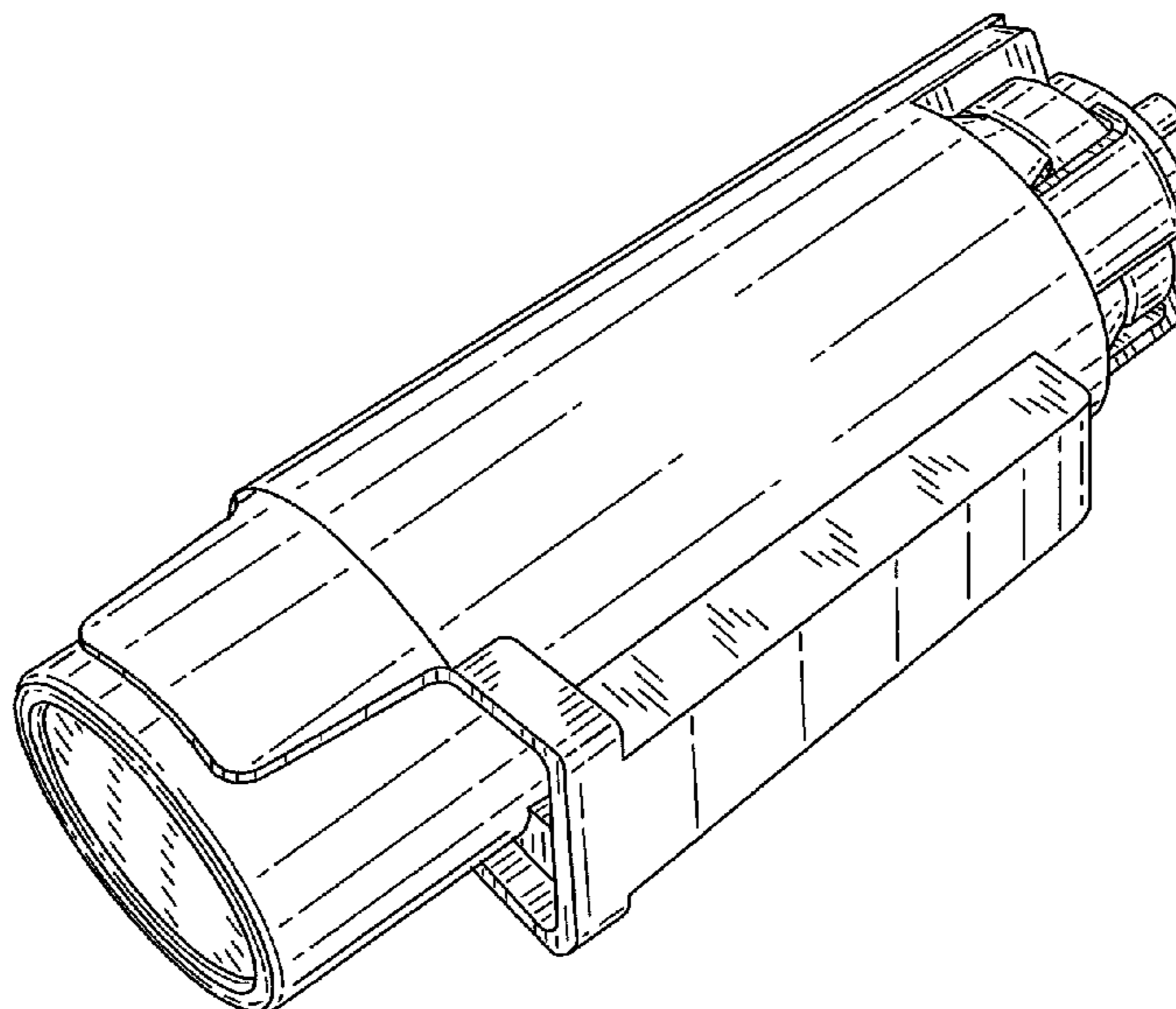
FIG. 4 is a top plan view of our jacketed refill cartridge design of FIG. 1;

FIG. 5 is a bottom plan view of our jacketed refill cartridge design of FIG. 1;

FIG. 6 is an elevation view of a third side of our jacketed refill cartridge design of FIG. 1; and,

FIG. 7 is an elevation view of a fourth side of our jacketed refill cartridge design of FIG. 1.

**1 Claim, 3 Drawing Sheets**



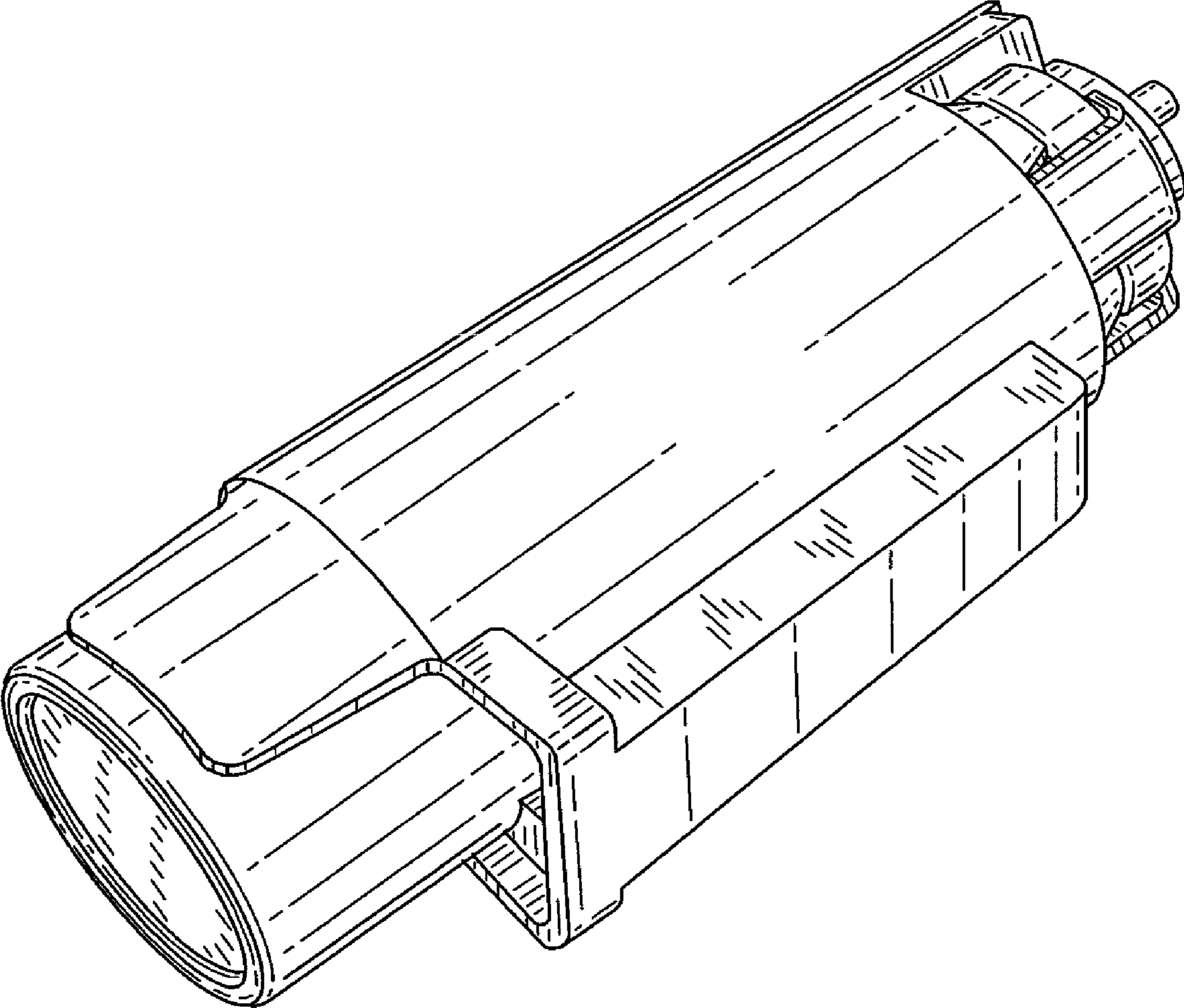


FIG. 1

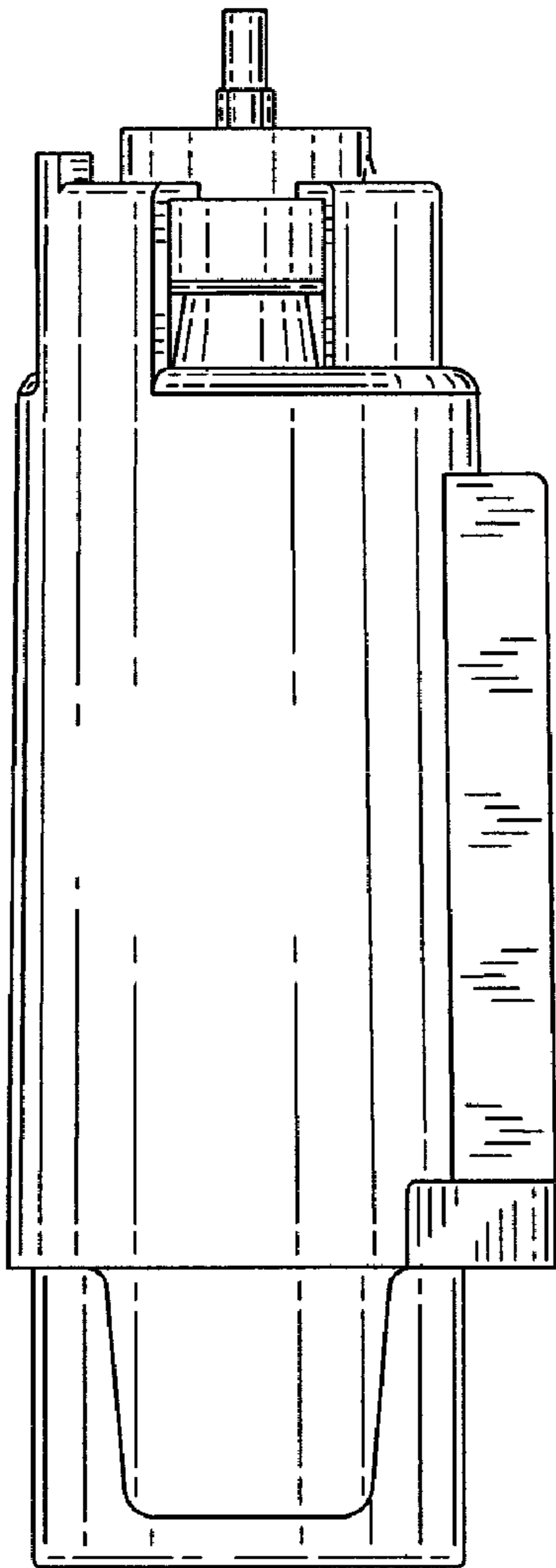


FIG. 2

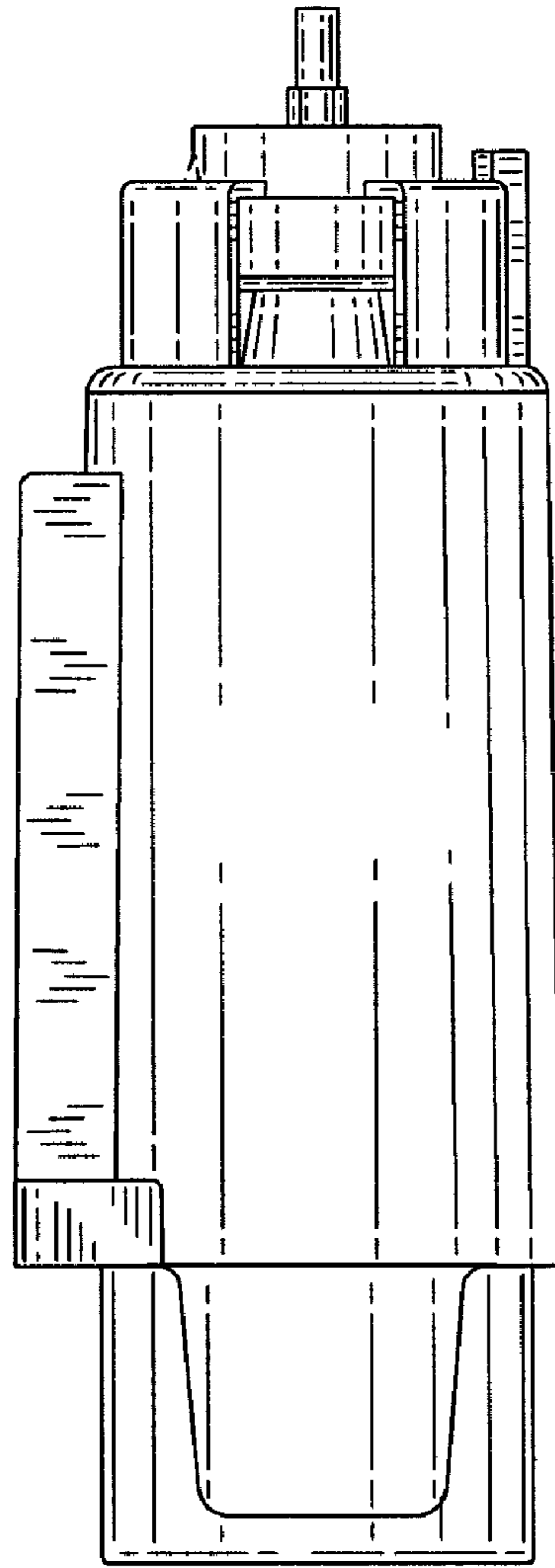


FIG. 3

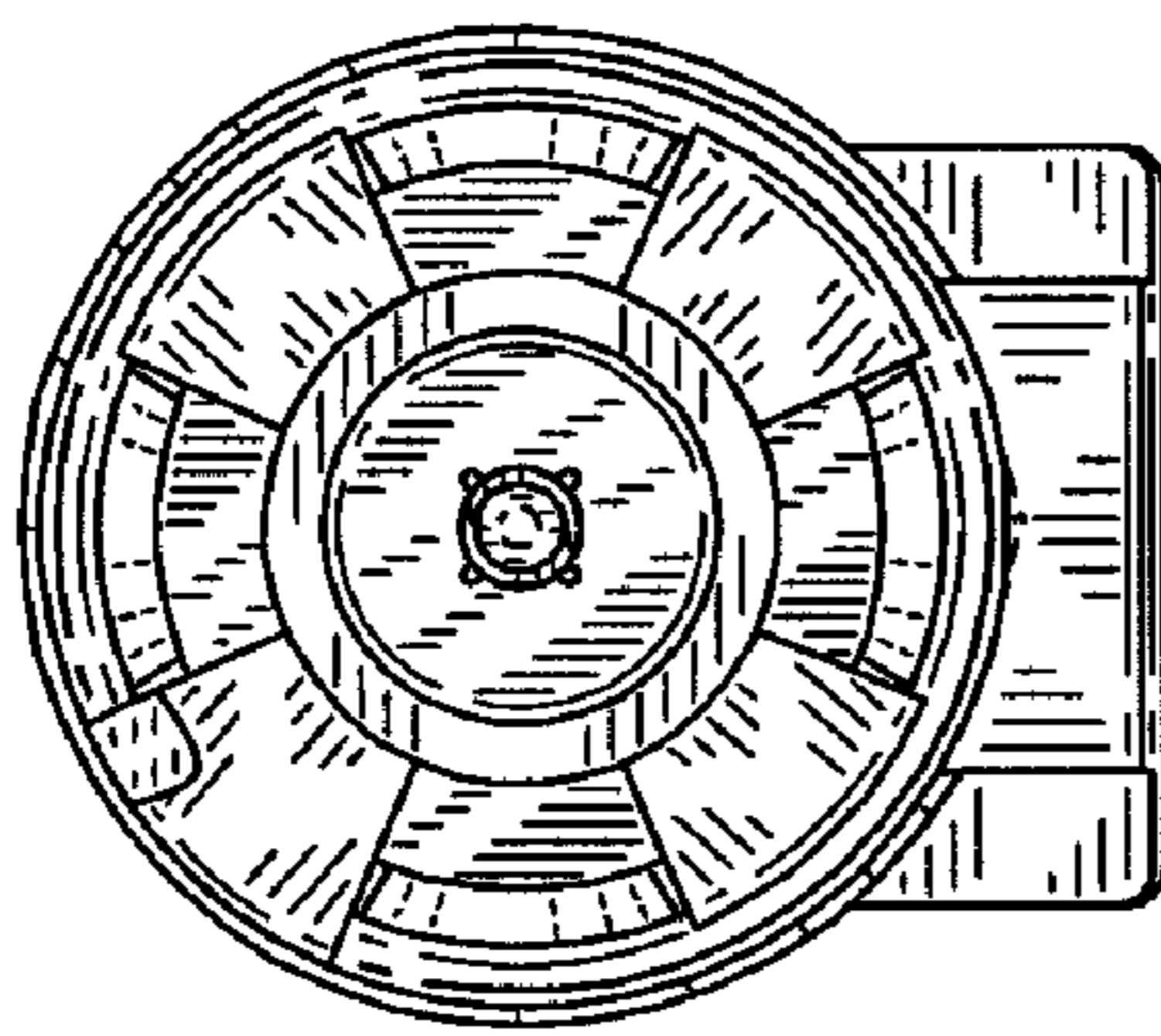


FIG. 4

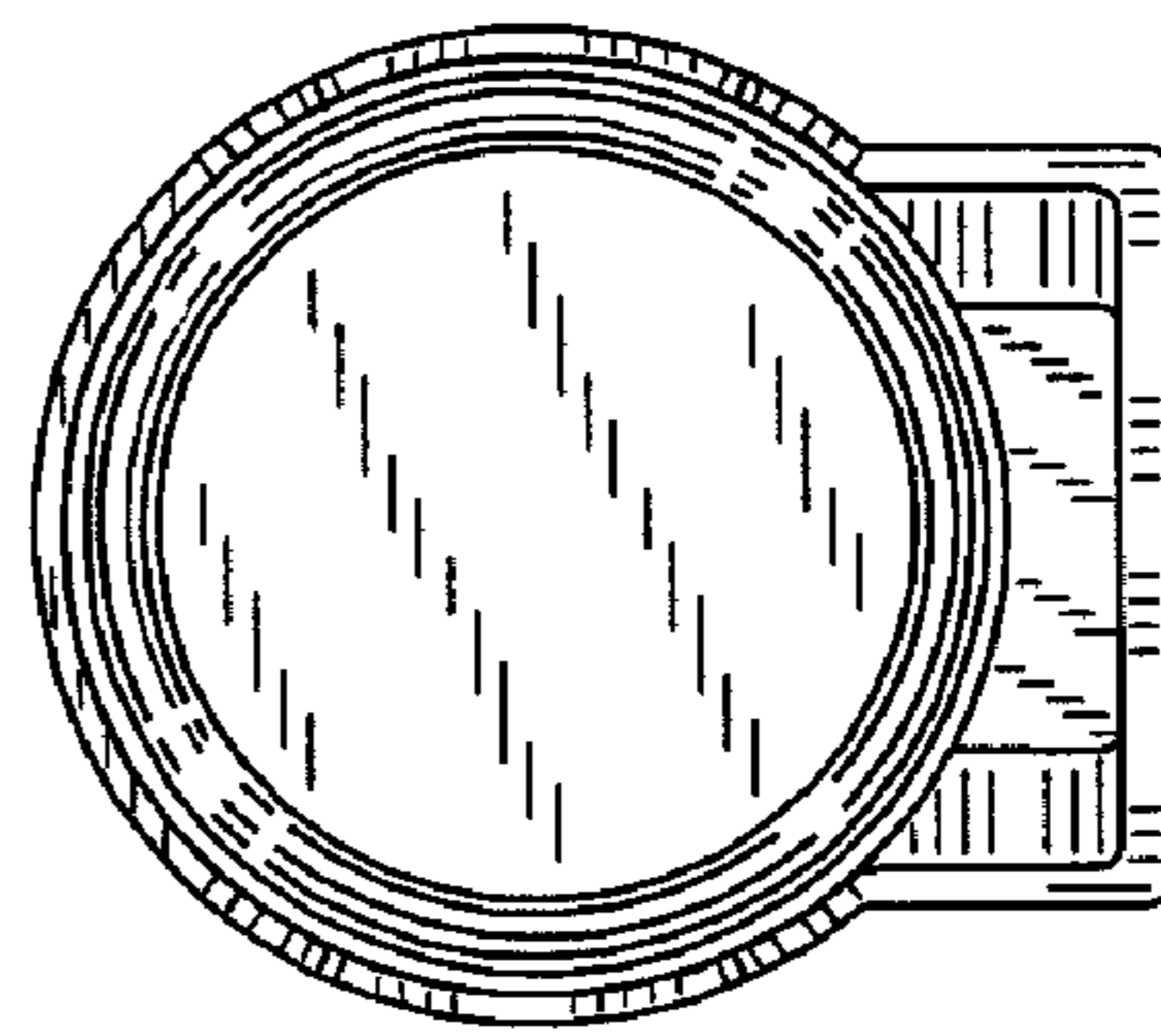


FIG. 5

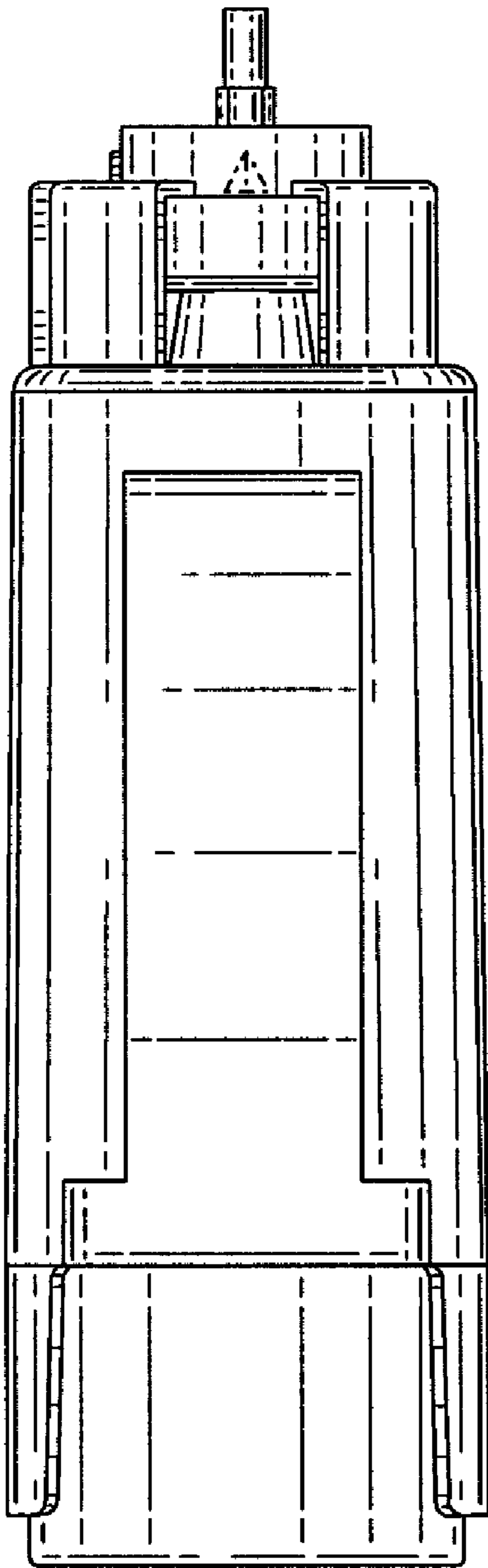


FIG. 6

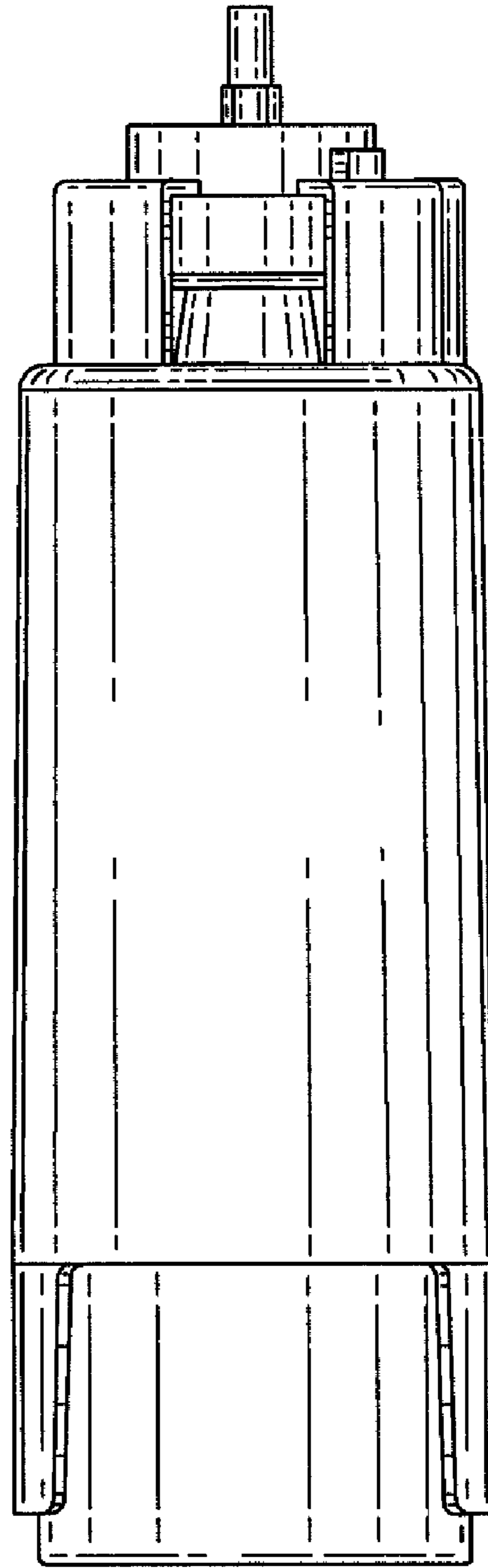


FIG. 7