



US00D636474S

(12) **United States Design Patent**
Choi et al.

(10) **Patent No.:** **US D636,474 S**

(45) **Date of Patent:** **** Apr. 19, 2011**

(54) **WALL-MOUNTED AIR CONDITIONER**

(75) Inventors: **Hwan-Woong Choi**, Seoul (KR);
Kyung-Ho Chai, Suwon-si (KR)

(73) Assignee: **Samsung Electronics Co., Ltd.** (KR)

(**) Term: **14 Years**

(21) Appl. No.: **29/369,927**

(22) Filed: **Sep. 15, 2010**

(30) **Foreign Application Priority Data**

Jun. 21, 2010 (KR) 30-2010-0027200

(51) **LOC (9) Cl.** **23-04**

(52) **U.S. Cl.** **D23/351**

(58) **Field of Classification Search** D23/351-354,
D23/385, 355, 357, 361; 312/236; 62/259.1,
62/259.4, 262-263, 304; 454/330-331, 349-350
See application file for complete search history.

(56) **References Cited**

U.S. PATENT DOCUMENTS

D502,255 S * 2/2005 Kim D23/351
D557,393 S * 12/2007 Yoo et al. D23/351

D558,864 S * 1/2008 Yoo et al. D23/351
D580,537 S * 11/2008 Niki et al. D23/351
D594,538 S * 6/2009 Tsuji D23/351
D605,268 S * 12/2009 Wagner et al. D23/351
D605,269 S * 12/2009 Wagner et al. D23/351
D619,236 S * 7/2010 Schlag et al. D23/351

* cited by examiner

Primary Examiner — Brian N Vinson

(74) *Attorney, Agent, or Firm* — Cantor Colburn LLP

(57) **CLAIM**

The ornamental design for a wall-mounted air conditioner, as shown and described.

DESCRIPTION

FIG. 1 is a perspective view of wall-mounted air conditioner, showing our new design;
FIG. 2 is a front elevational view thereof;
FIG. 3 is a rear elevational view thereof;
FIG. 4 is a left side elevational view thereof;
FIG. 5 is a right side elevational view thereof;
FIG. 6 is a top plan view thereof;
FIG. 7 is a bottom plan view thereof; and,
FIG. 8 is a perspective view of the wall-mounted air conditioner of FIG. 1, in an alternate, opened position.

1 Claim, 5 Drawing Sheets

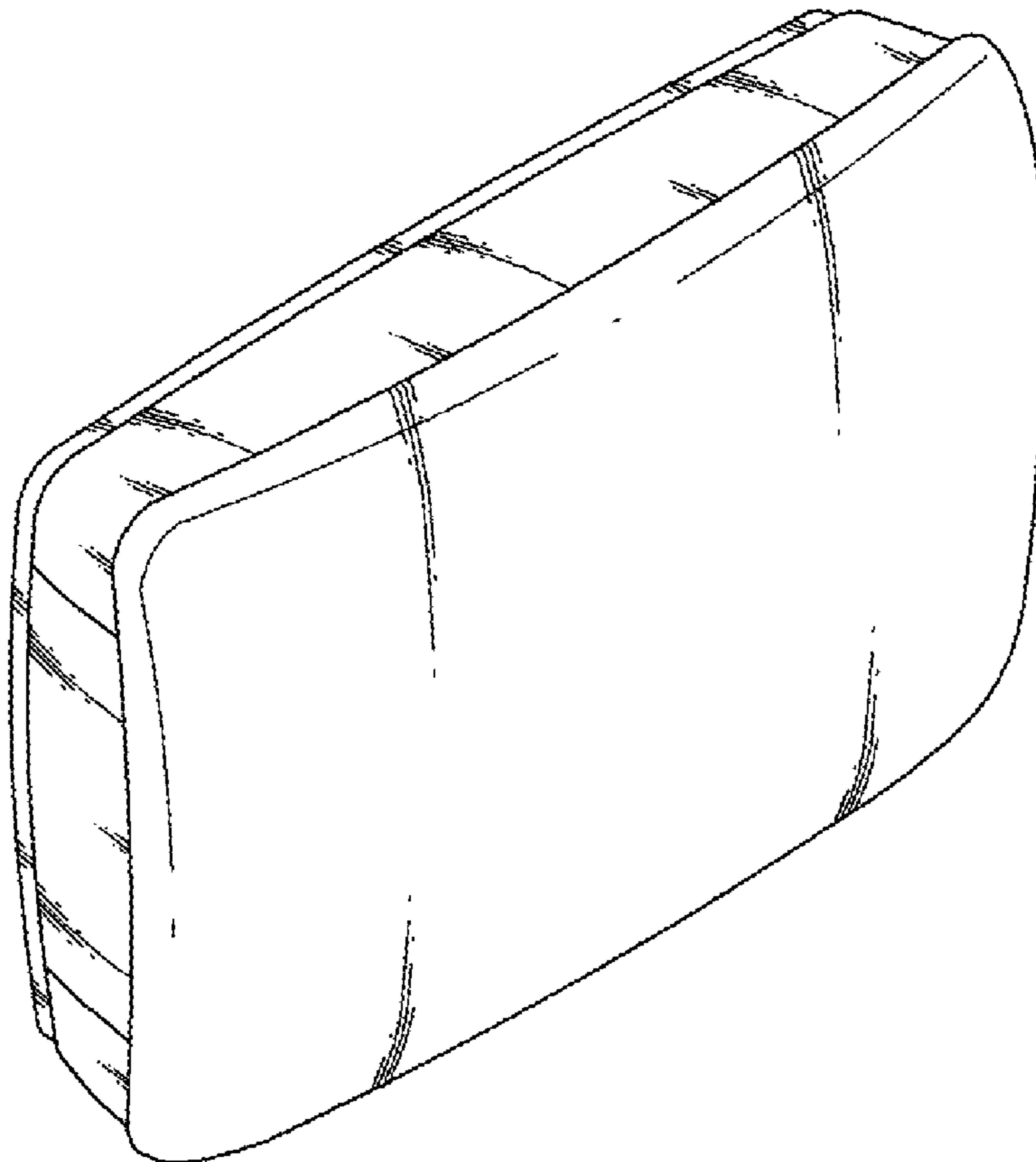


FIG. 1

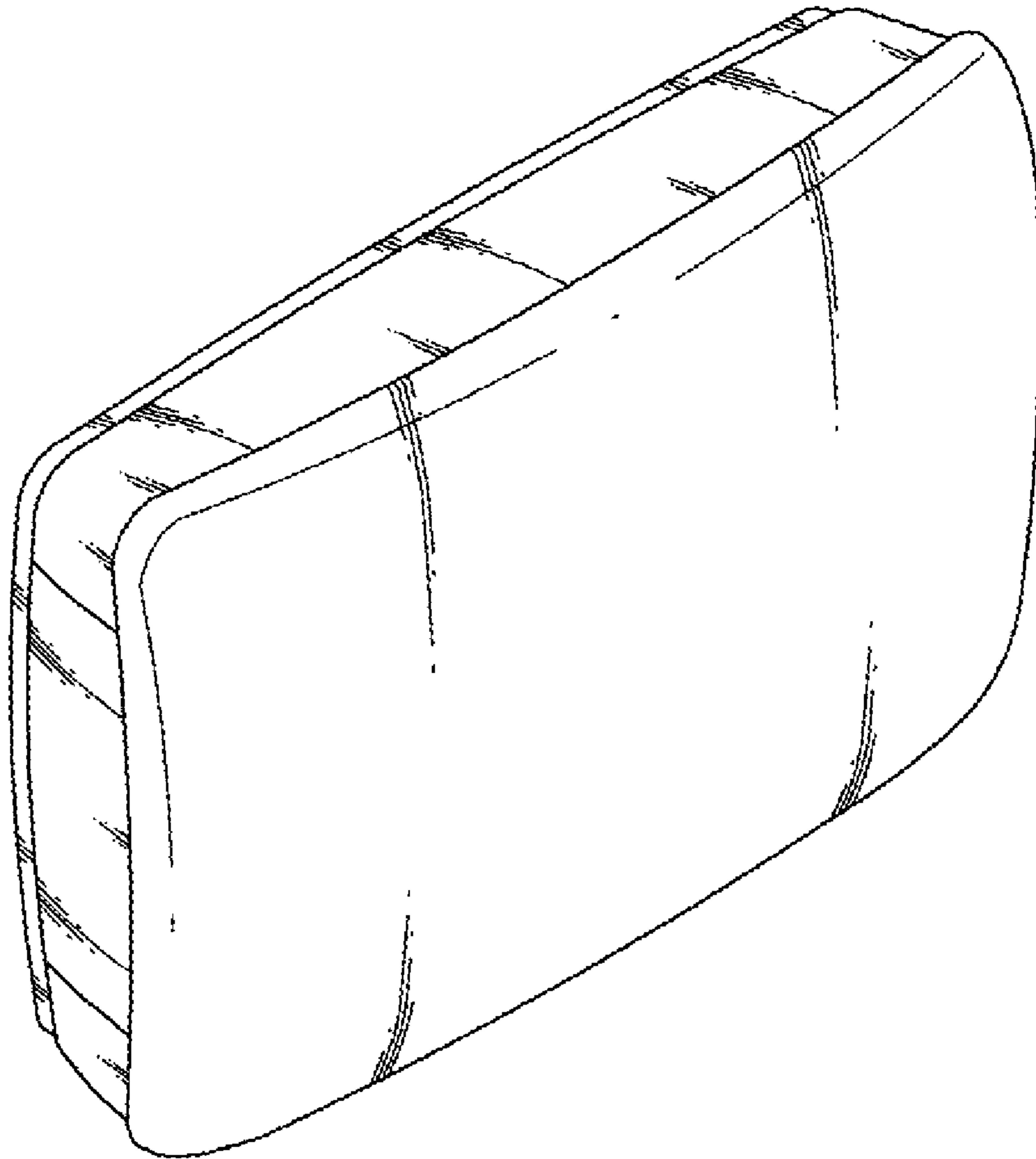


FIG. 2

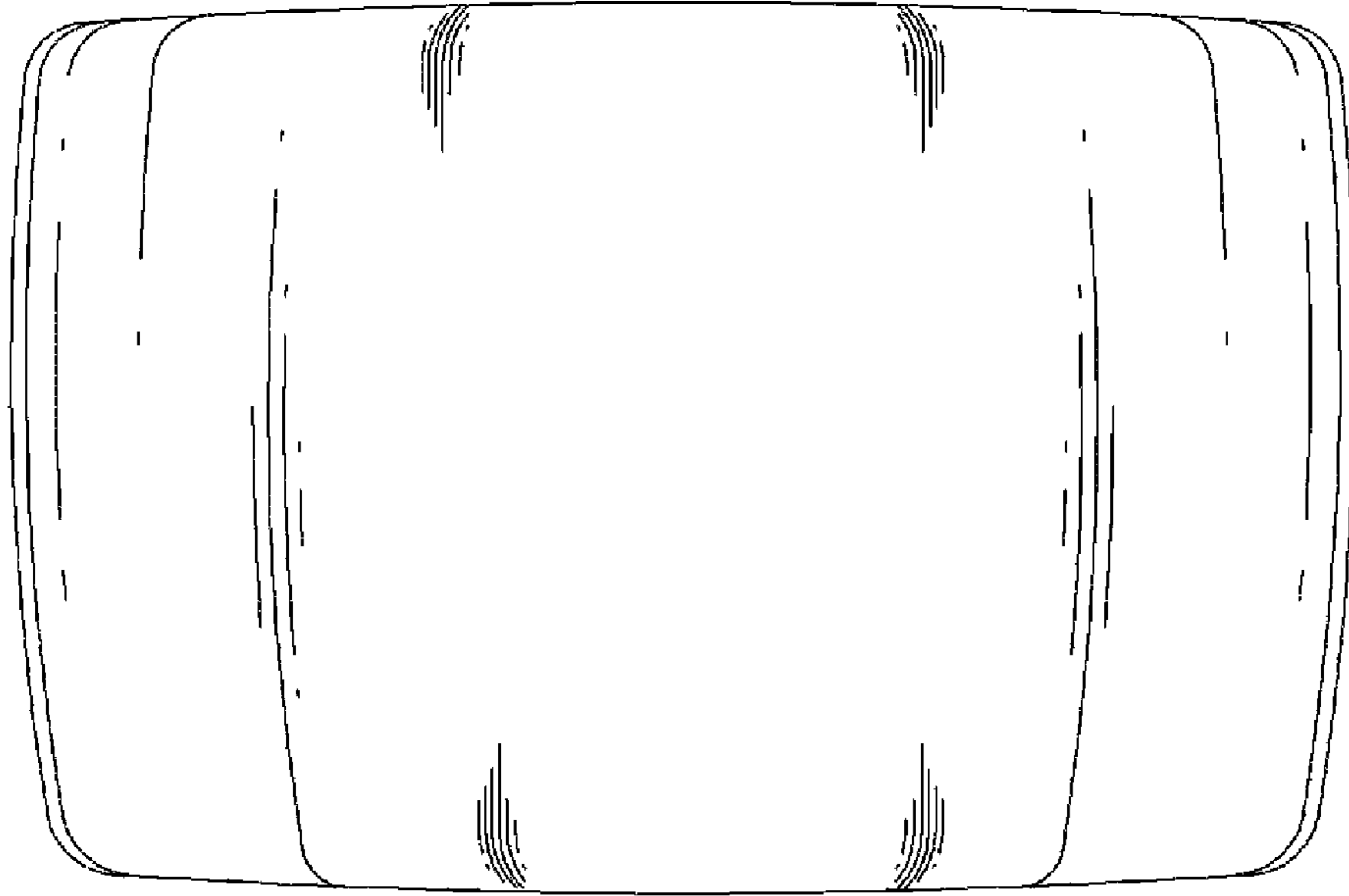


FIG. 3

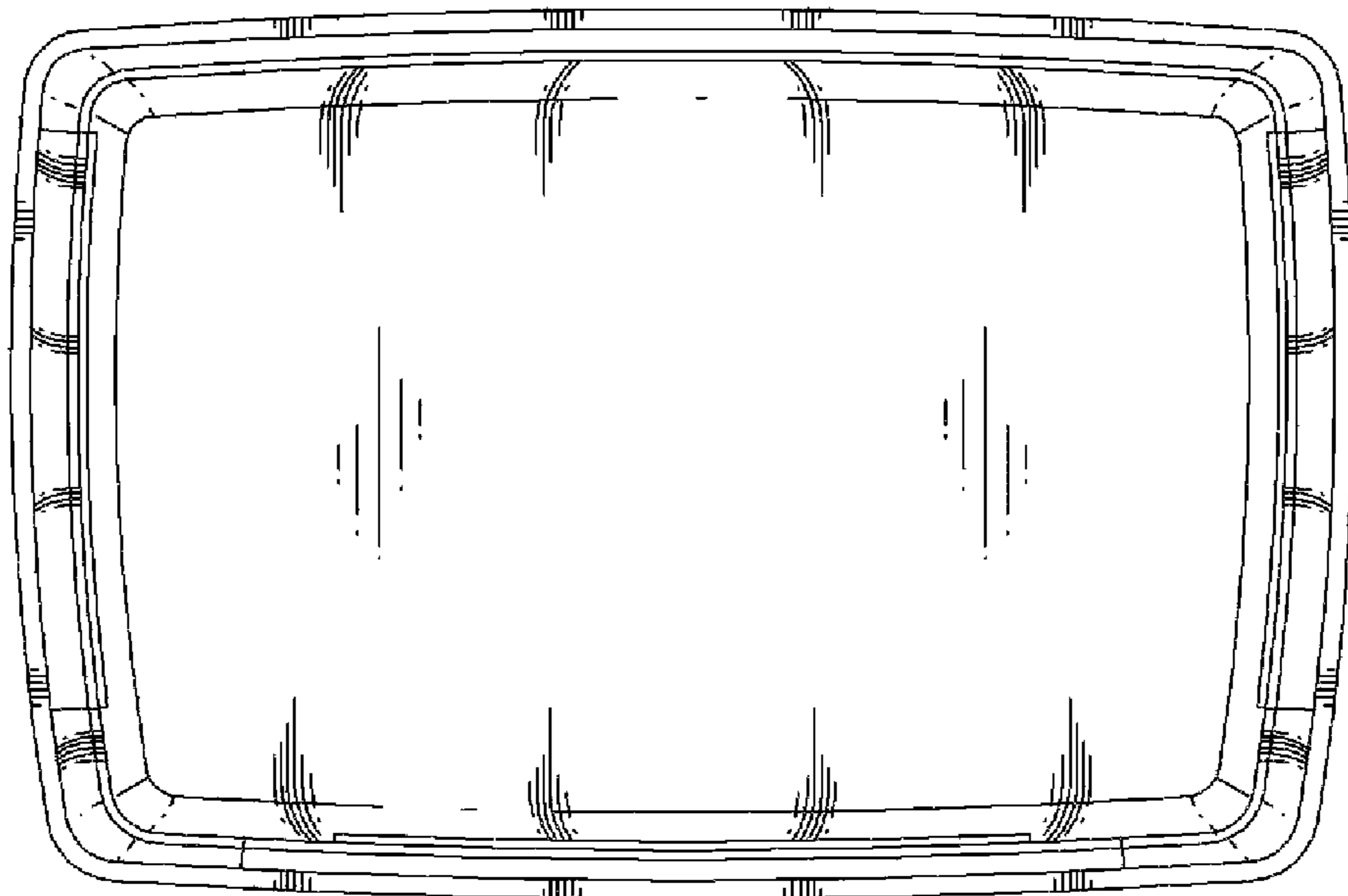


FIG. 4

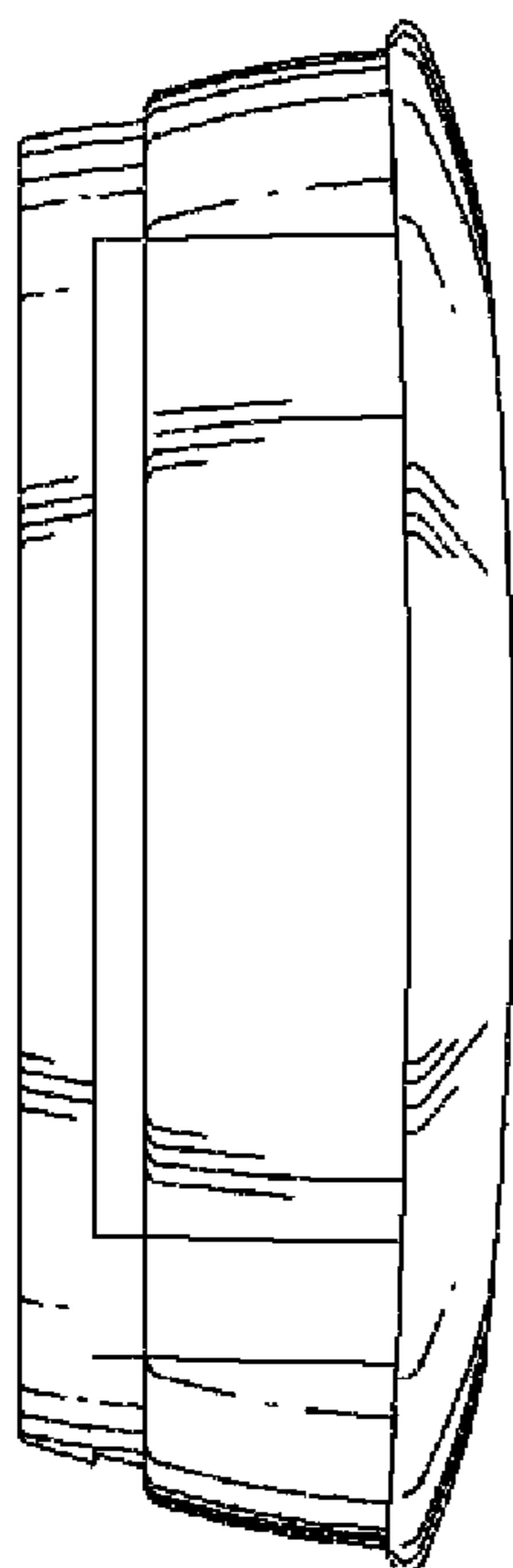


FIG. 5

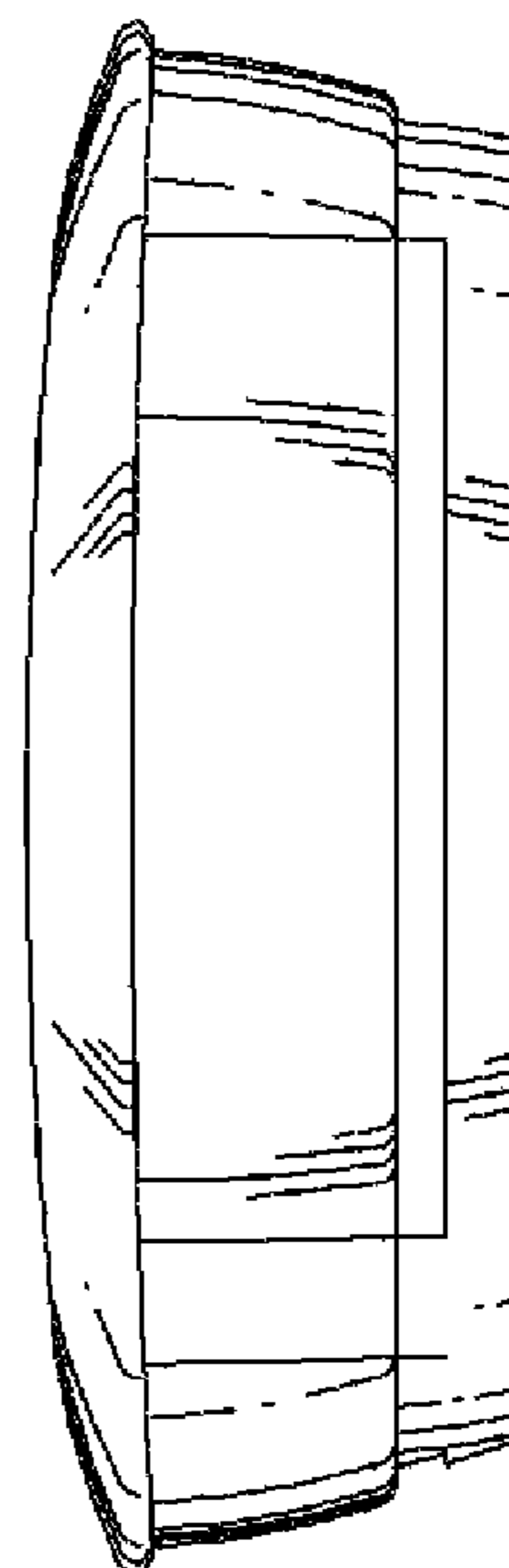


FIG. 6

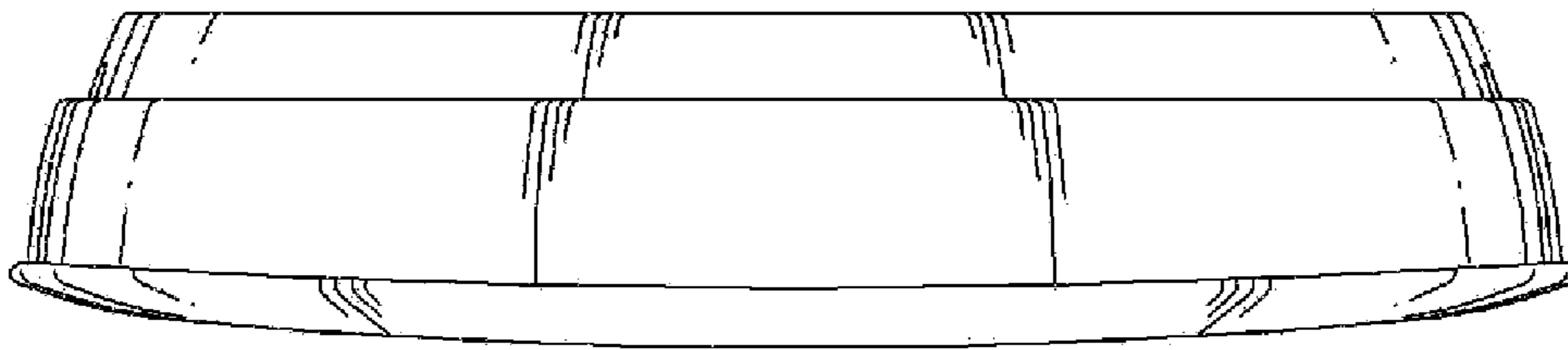


FIG. 7

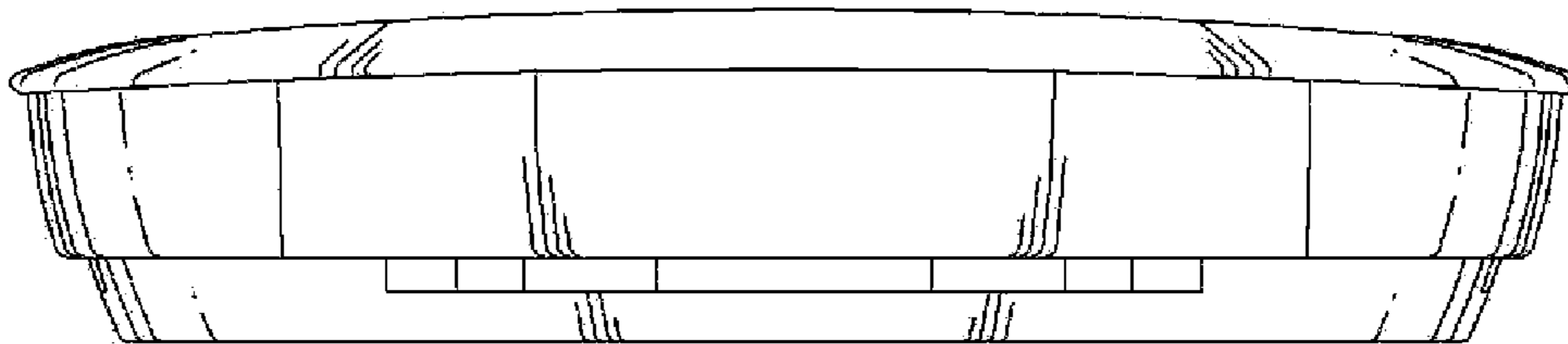


FIG. 8

