



US00D636473S

(12) **United States Design Patent**
Kim et al.

(10) **Patent No.:** **US D636,473 S**
(45) **Date of Patent:** **** Apr. 19, 2011**

(54) **AIR CONDITIONER**

(75) Inventors: **KiSoo Kim**, Kyunggi-do (KR); **Min Hyoug Boo**, Seoul (KR)

(73) Assignee: **Samsung Electronics Co., Ltd.**, Suwon (KR)

(**) Term: **14 Years**

(21) Appl. No.: **29/357,032**

(22) Filed: **Mar. 5, 2010**

(51) **LOC (9) Cl.** **23-04**

(52) **U.S. Cl.** **D23/351**

(58) **Field of Classification Search** D6/314,
D6/317, 332-333, 351; 312/236; 62/259.1,
62/259.3, 259.4, 262-263, 304, 401, 515-516;
454/330-331, 349-350, 354

See application file for complete search history.

(56) **References Cited**

U.S. PATENT DOCUMENTS

D515,187 S *	2/2006	Blateri	D23/336
D554,745 S *	11/2007	Urfig	D23/351
D564,646 S *	3/2008	Chen	D23/351
D605,744 S *	12/2009	Braun et al.	D23/351

* cited by examiner

Primary Examiner — Brian N Vinson

(74) *Attorney, Agent, or Firm* — Ladas & Parry LLP

(57) **CLAIM**

I claim the ornamental design for air conditioner, as shown.

DESCRIPTION

FIG. 1 is a front/right-side/top perspective view of an air conditioner showing our new design;
FIG. 2 is a front-side elevational view thereof;
FIG. 3 is a rear-side elevational view thereof;
FIG. 4 is a left-side elevational view thereof;
FIG. 5 is a right-side elevational view thereof;
FIG. 6 is a top-side elevational view thereof; and,
FIG. 7 is a bottom-side elevational view thereof.

1 Claim, 6 Drawing Sheets

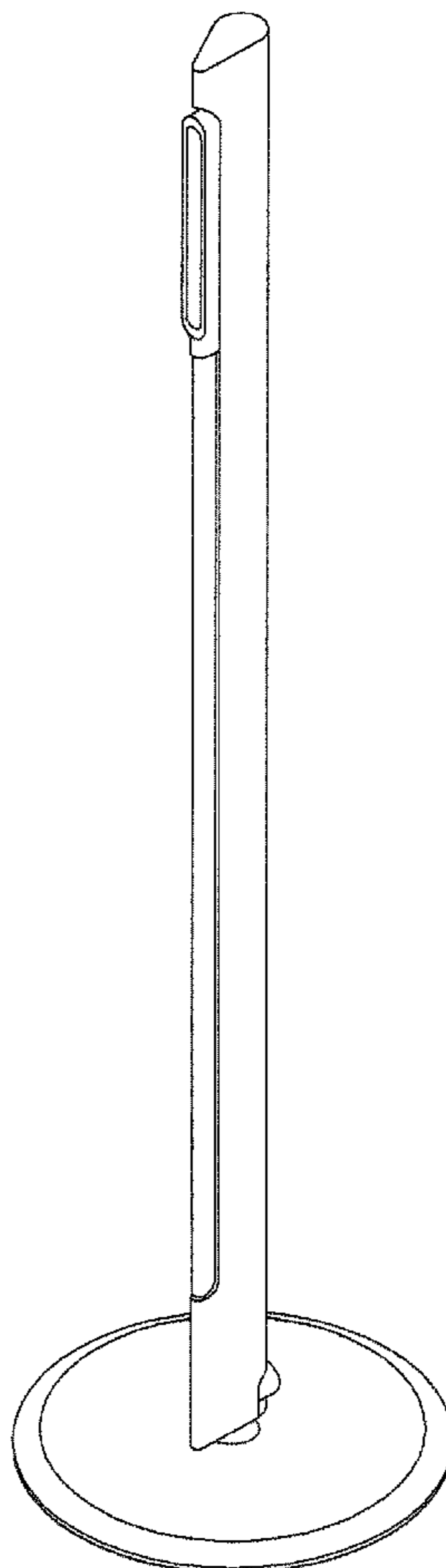


FIG. 1

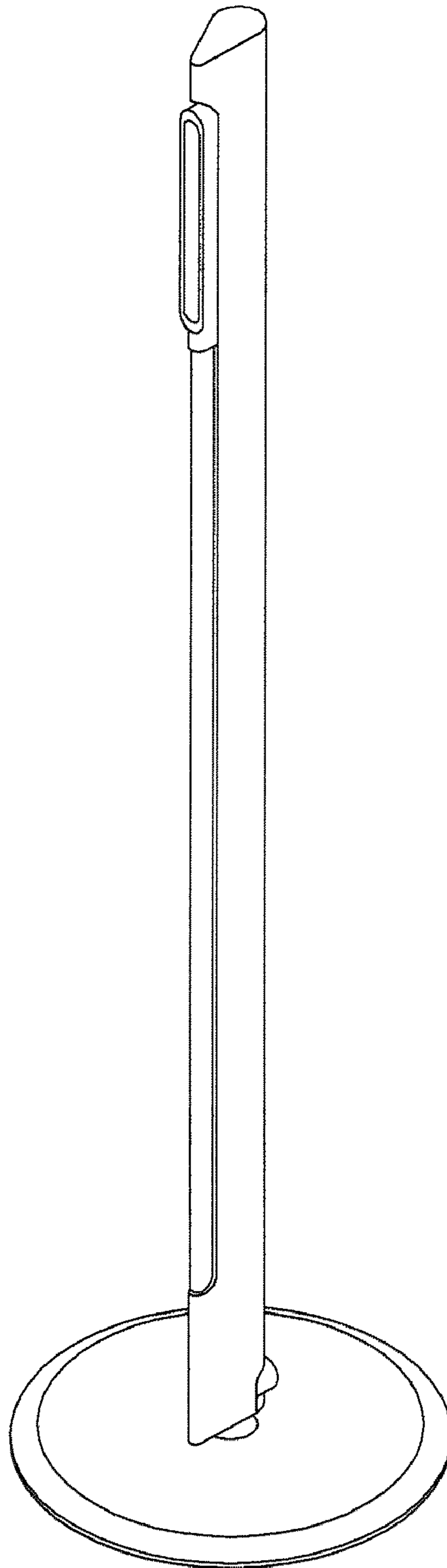


FIG. 2

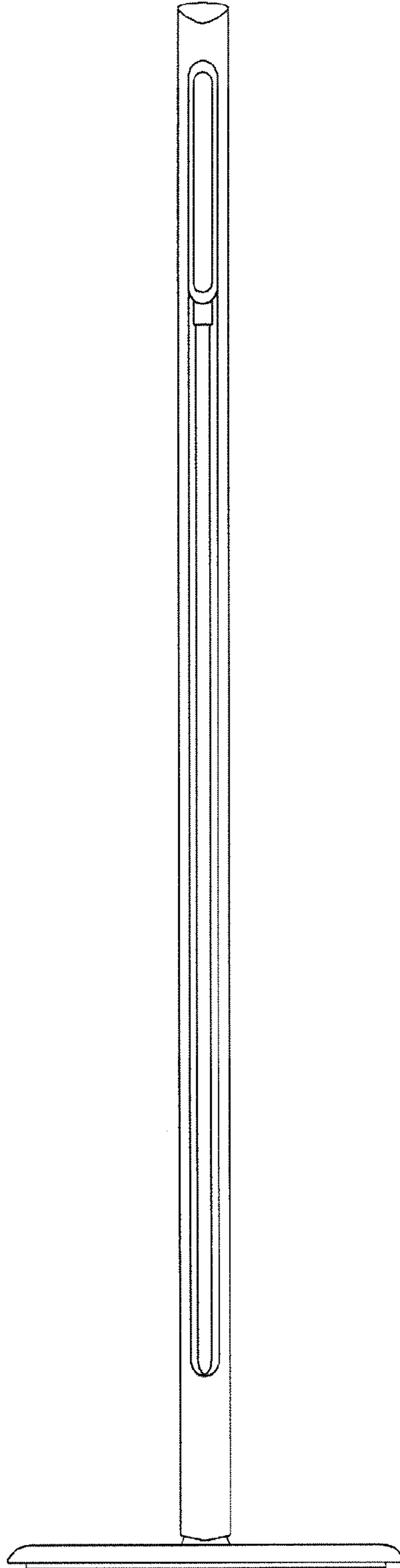


FIG. 3

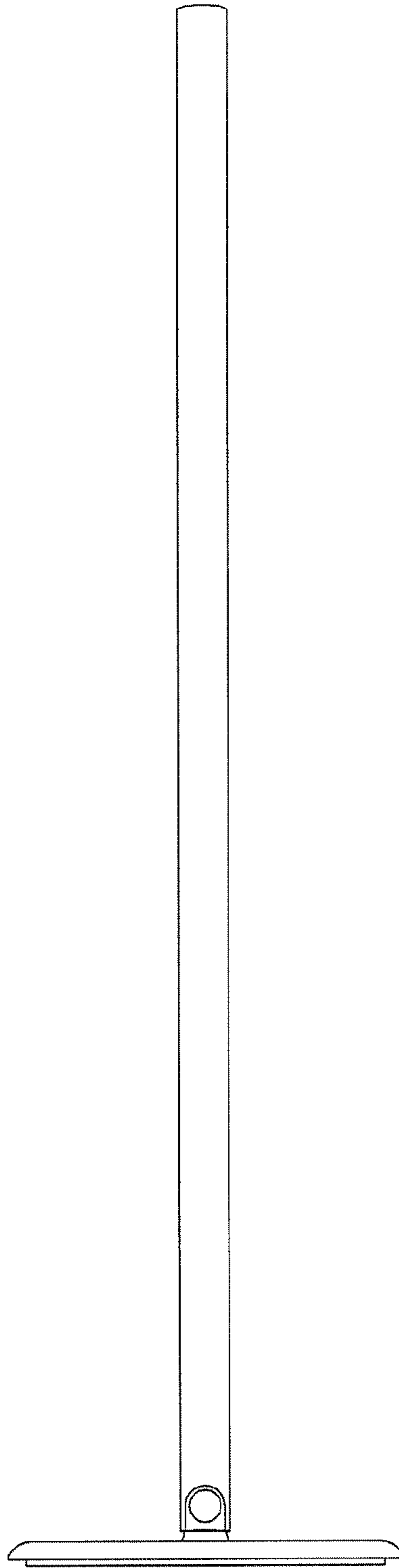


FIG. 4

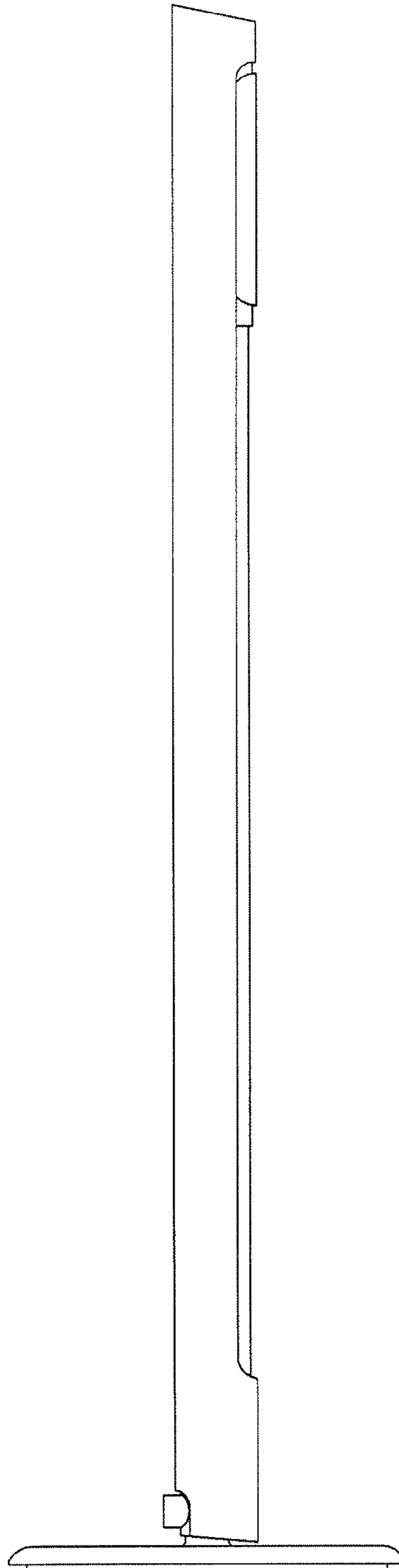


FIG. 5

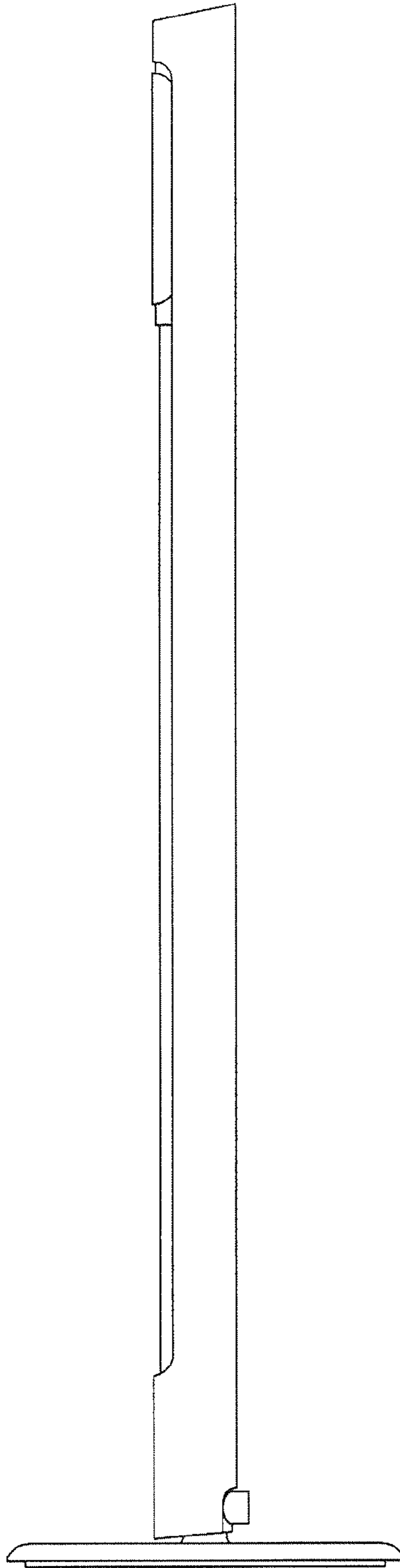


FIG. 6

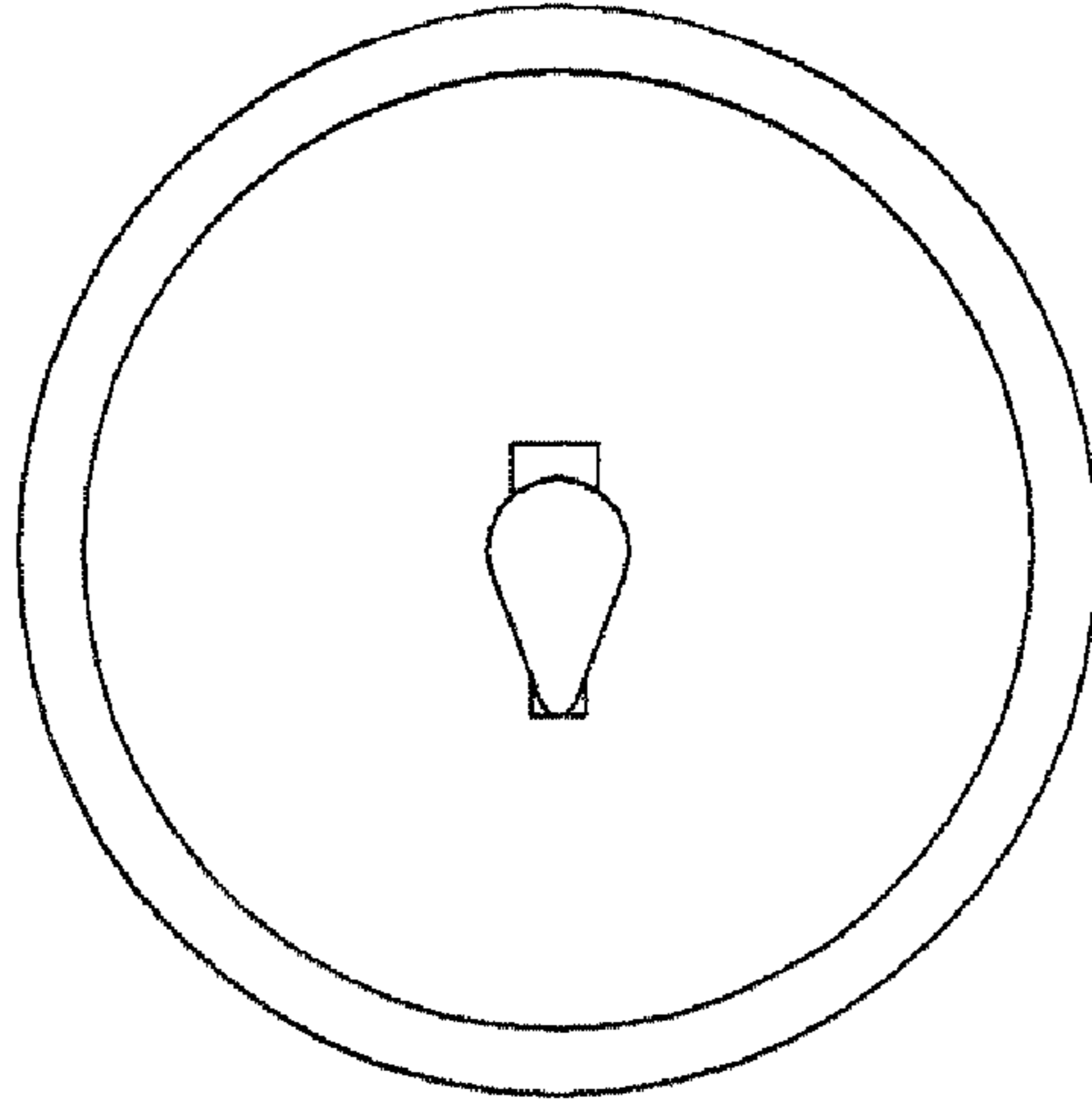


FIG. 7

