



US00D636471S

(12) **United States Design Patent**
Dole et al.

(10) **Patent No.:** **US D636,471 S**
(45) **Date of Patent:** **** Apr. 19, 2011**

- (54) **PIPE COUPLING SEGMENT**
- (75) Inventors: **Douglas R. Dole**, Whitehouse Station, NJ (US); **Alan M. Yesavage**, Lenhartsville, PA (US)
- (73) Assignee: **Victaulic Company**, Easton, PA (US)
- (**) Term: **14 Years**
- (21) Appl. No.: **29/380,530**
- (22) Filed: **Dec. 7, 2010**

Related U.S. Application Data

- (62) Division of application No. 29/363,560, filed on Jun. 11, 2010, now Pat. No. Des. 629,084.
- (51) **LOC (9) Cl.** **23-01**
- (52) **U.S. Cl.** **D23/262**
- (58) **Field of Classification Search** D23/259-262; 239/428.5; 261/DIG. 22; D8/396; 285/1, 285/112, 179, 340, 367, 373, 404, 53, 915; 403/291, 300; 411/5, 10; 137/801
See application file for complete search history.

(56) **References Cited**

U.S. PATENT DOCUMENTS

1,851,574	A	3/1932	Fiederlein
1,905,324	A	4/1933	Waters
D142,057	S	8/1945	Baxter
2,752,173	A	6/1956	Krooss
4,408,788	A	10/1983	Beukema
6,626,466	B1	9/2003	Dole
7,090,259	B2	8/2006	Dole
7,401,819	B2	7/2008	Gibb
7,591,055	B2	9/2009	Gibb

D616,967	S	6/2010	Madara	
D616,968	S	6/2010	Bowman	
D618,313	S	6/2010	Madara	
D618,315	S	6/2010	Bowman	
D625,784	S	* 10/2010	Bowman et al.	D23/262
D625,787	S	* 10/2010	Bowman et al.	D23/262
D625,788	S	* 10/2010	Madara et al.	D23/262
D626,200	S	* 10/2010	Bowman et al.	D23/262
D626,201	S	* 10/2010	Madara et al.	D23/262
D629,079	S	* 12/2010	Dole et al.	D23/262
D629,081	S	* 12/2010	Dole et al.	D23/262
D629,083	S	* 12/2010	Dole et al.	D23/262
2008/0048444	A1	2/2008	Porter	

* cited by examiner

Primary Examiner — T. Chase Nelson

Assistant Examiner — Eric L Goodman

(74) *Attorney, Agent, or Firm* — Ballard Spahr LLP

(57) **CLAIM**

We claim the ornamental design for a pipe coupling segment, as shown and described.

DESCRIPTION

FIG. 1 is an isometric view of our design for a pipe coupling segment;

FIG. 2 is a front view of the design for the pipe coupling segment shown in FIG. 1, the rear view being identical;

FIG. 3 is a top view of the design for the pipe coupling segment shown in FIG. 1;

FIG. 4 is a bottom view of the design for the pipe coupling segment shown in FIG. 1; and,

FIG. 5 is a left side view of the design for the pipe coupling segment shown in FIG. 1, the right side view being identical. The broken lines shown in FIGS. 1 through 5 are for illustrative purposes only and form no part of the claimed design.

1 Claim, 2 Drawing Sheets

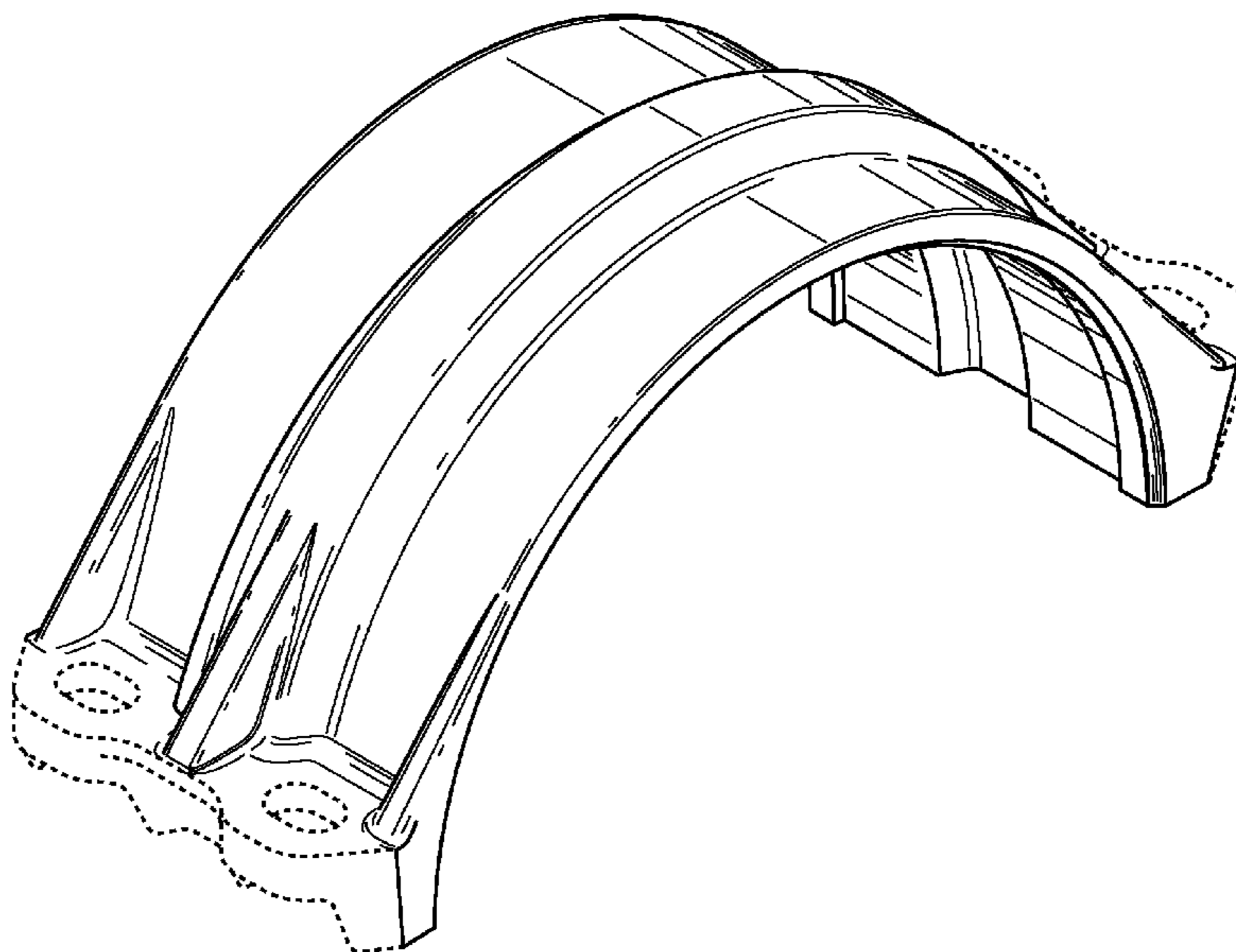


FIG. 1

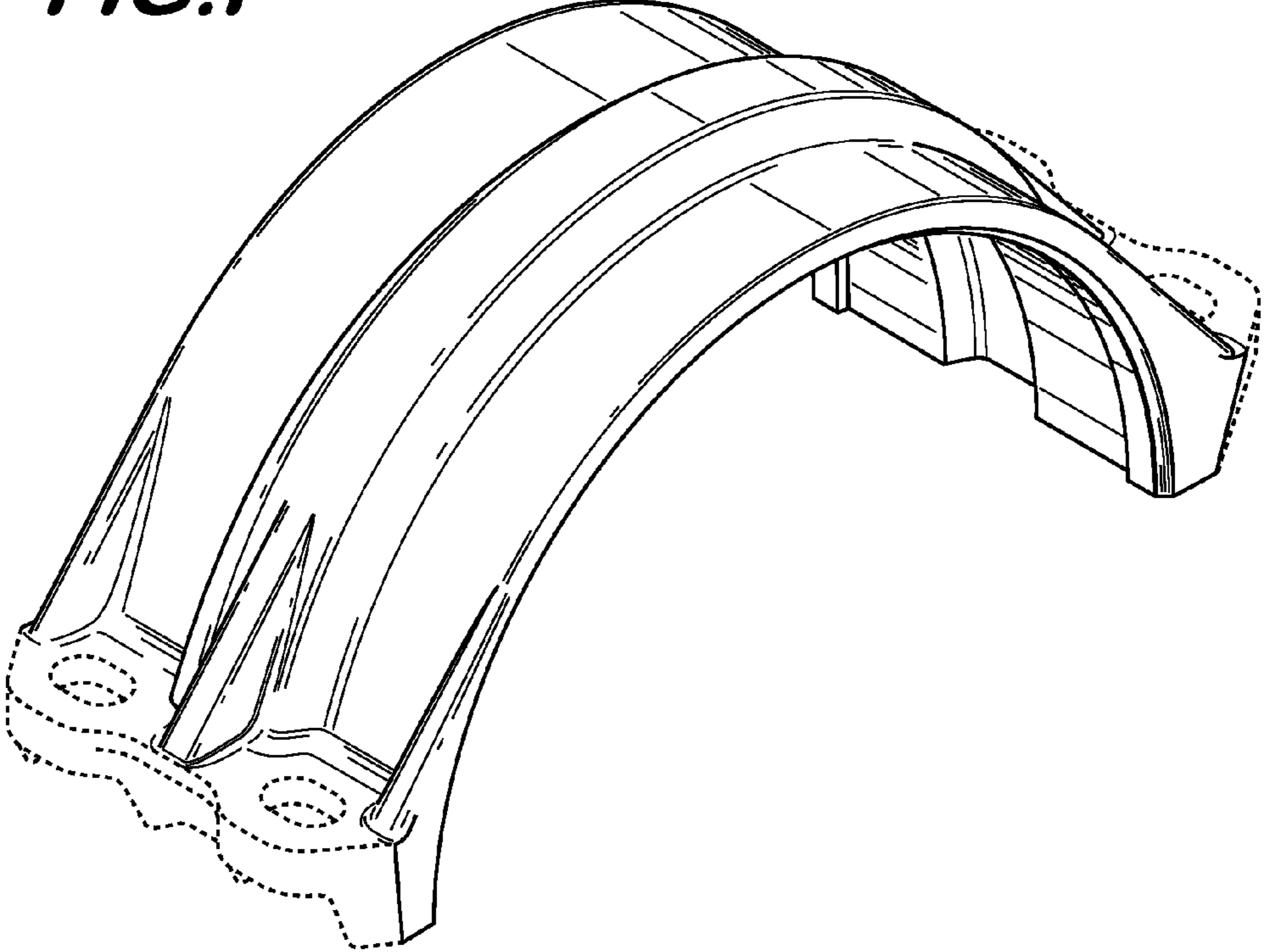


FIG. 2

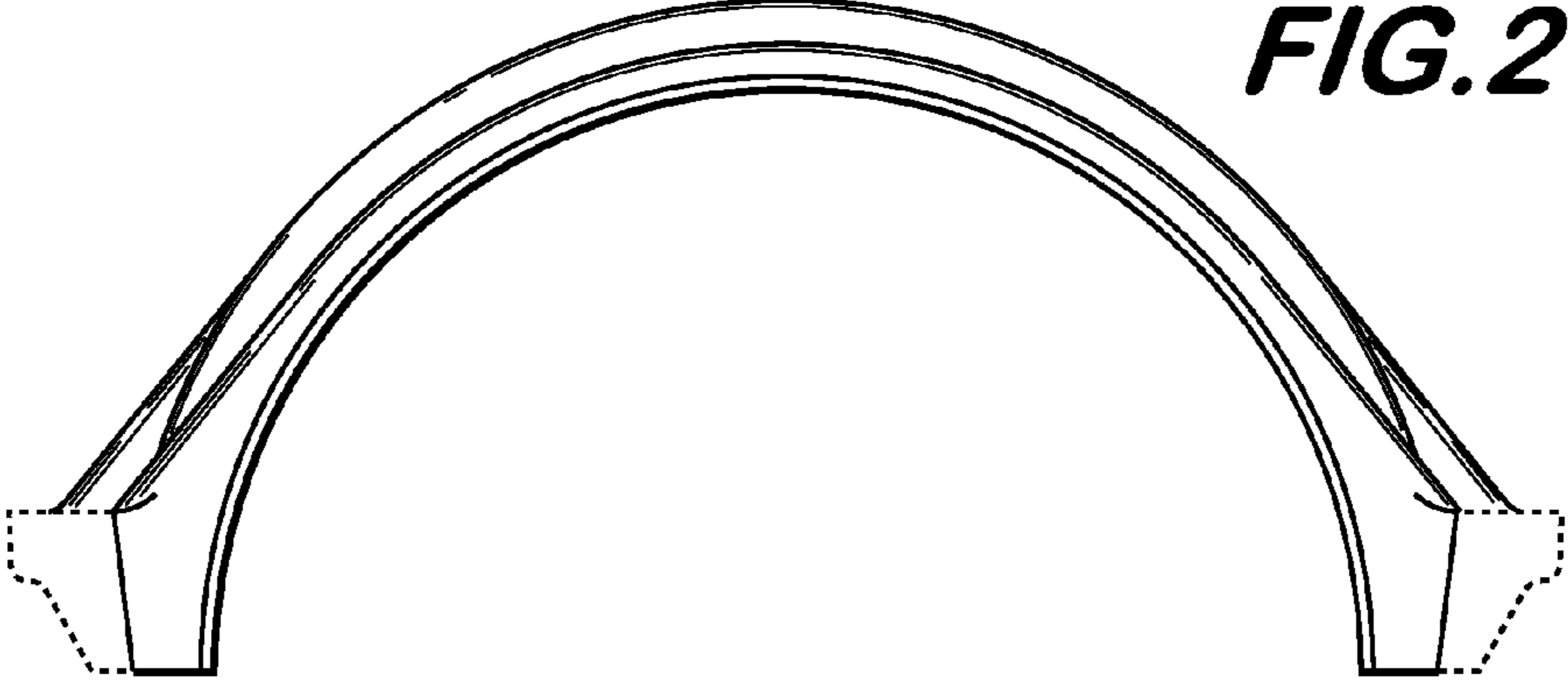


FIG. 3

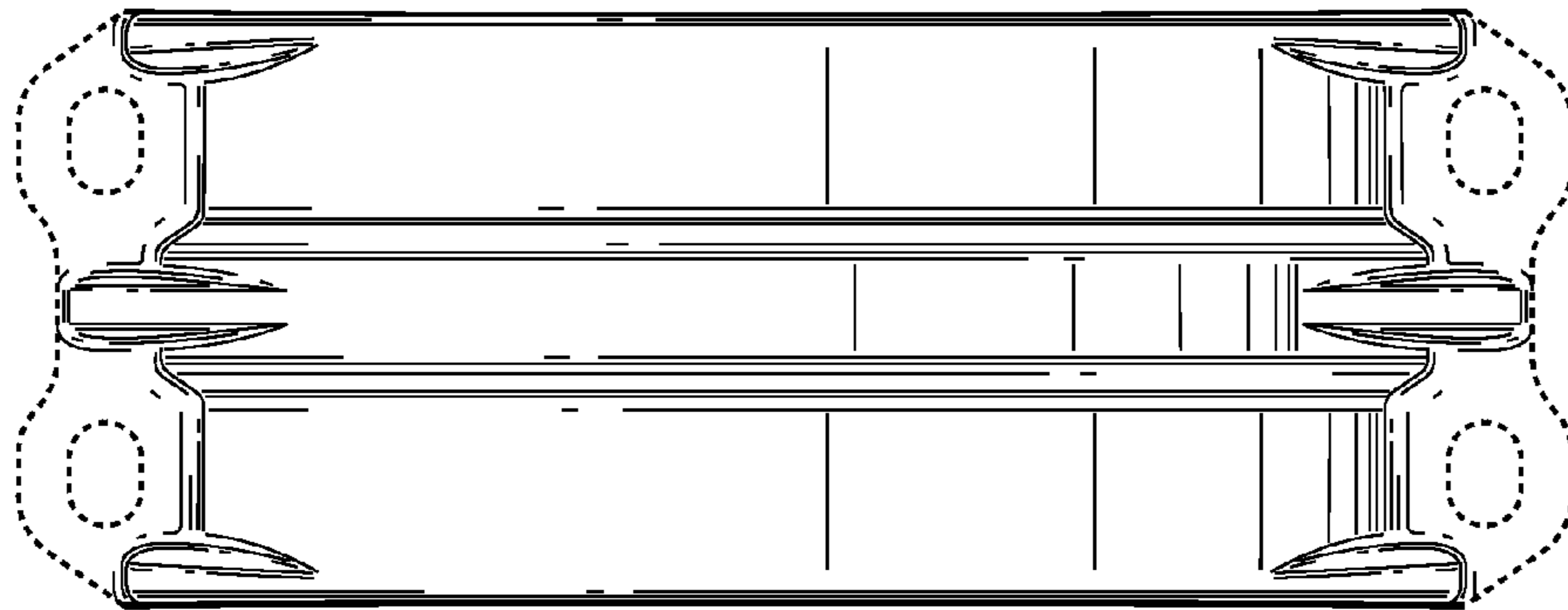


FIG. 4

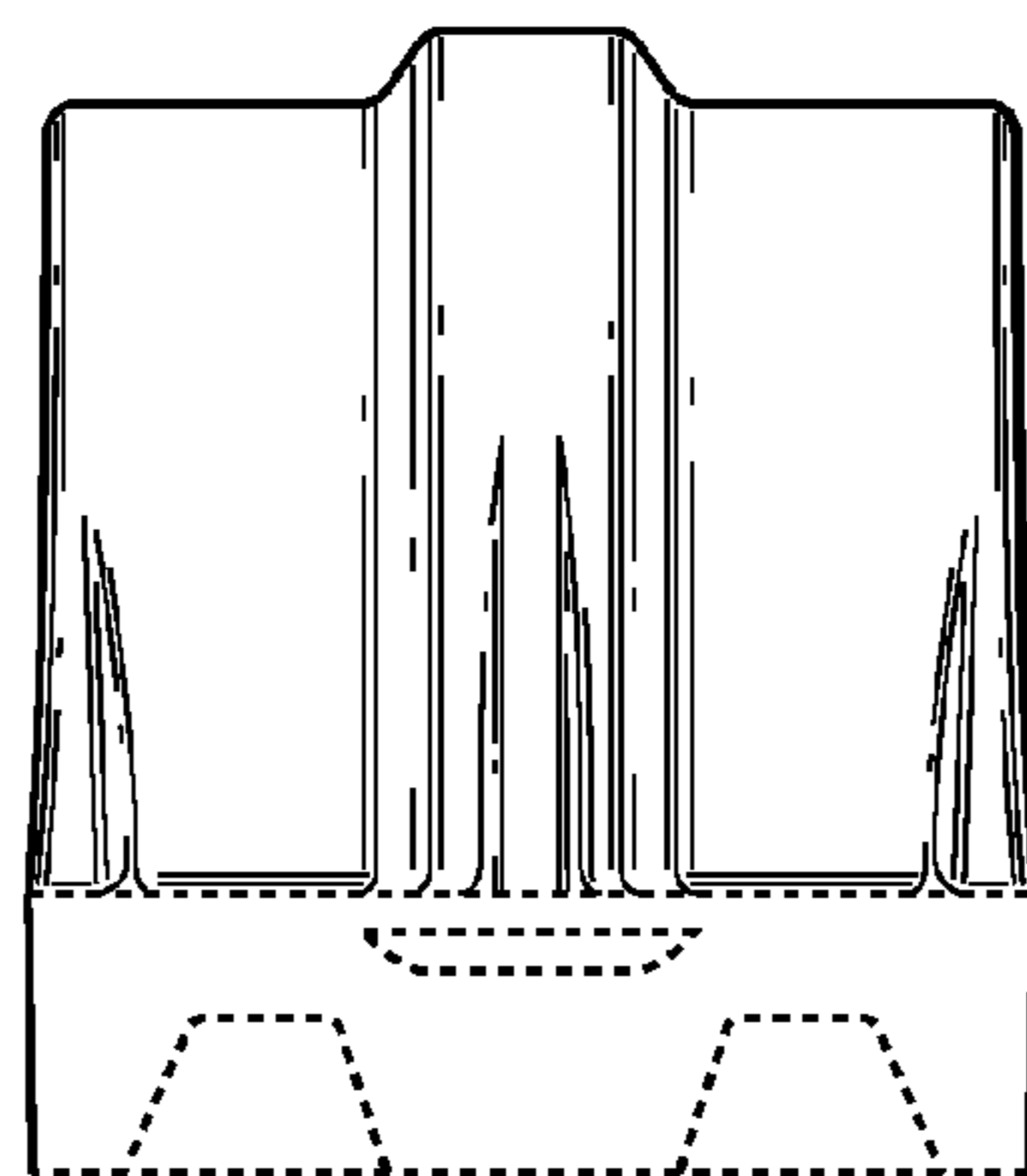
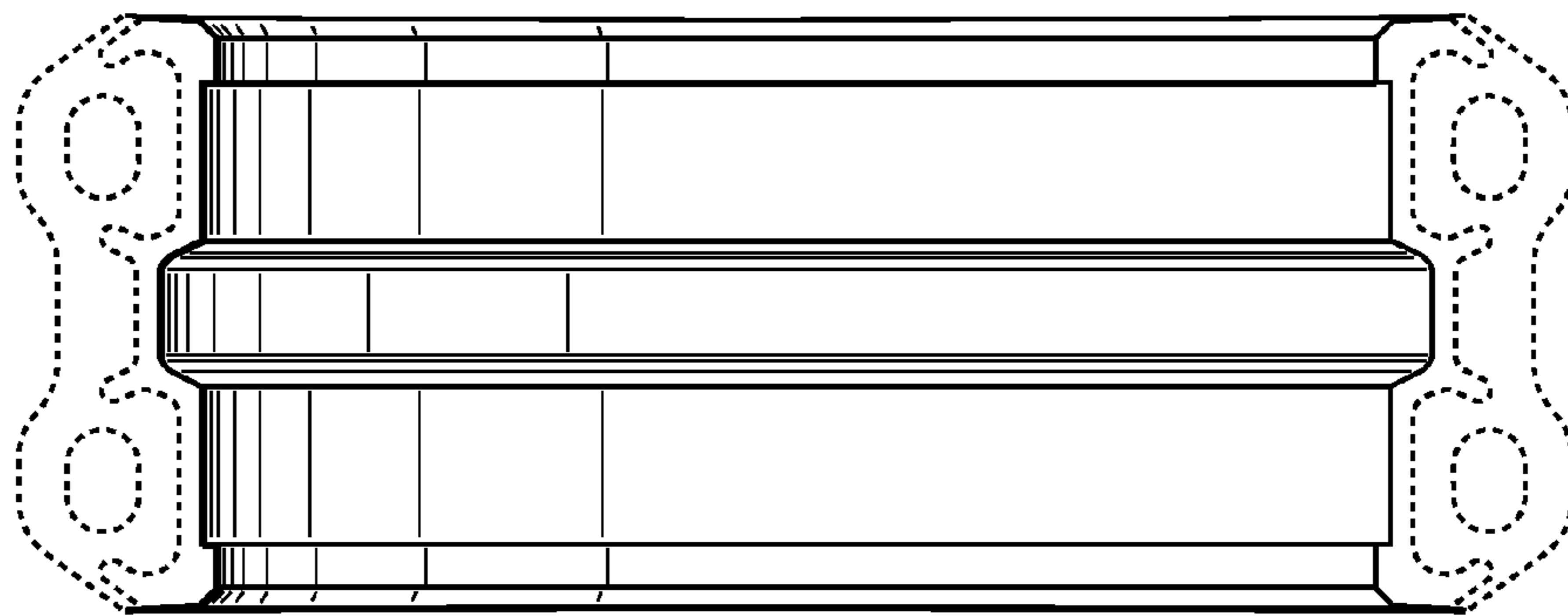


FIG. 5