



US00D636468S

(12) **United States Design Patent**
Ball

(10) **Patent No.:** **US D636,468 S**

(45) **Date of Patent:** **** Apr. 19, 2011**

(54) **FLEXIBLE BATHTUB WASTE PIPE ASSEMBLY**

(75) Inventor: **William T. Ball**, Colorado Springs, CO (US)

(73) Assignee: **WCM Industries, Inc.**, Colorado Springs, CO (US)

(**) Term: **14 Years**

(21) Appl. No.: **29/360,523**

(22) Filed: **Apr. 27, 2010**

Related U.S. Application Data

(63) Continuation-in-part of application No. 12/100,762, filed on Apr. 10, 2008, which is a continuation-in-part of application No. 10/971,895, filed on Oct. 22, 2004, now abandoned.

(51) **LOC (9) Cl.** **23-01**

(52) **U.S. Cl.** **D23/262**

(58) **Field of Classification Search** D23/238, D23/249, 259, 262, 266; 285/179, 179.1; 4/679, 680, 686, 687

See application file for complete search history.

(56) **References Cited**

U.S. PATENT DOCUMENTS

437,289	A	9/1890	Clark	
1,018,021	A *	2/1912	Willets	4/679
1,068,039	A *	7/1913	Clark	285/191
1,213,466	A	1/1917	Delanoy	
1,692,710	A	11/1928	Spahn	
1,781,719	A *	11/1930	Darling	4/683
1,873,274	A	8/1932	Boosey	
1,925,008	A	8/1933	Schact	
1,980,493	A	11/1934	Morisseau	
2,044,253	A	6/1936	Morris	
2,084,437	A *	6/1937	Frankenberger	4/694
2,580,575	A	5/1949	Muckler	
3,263,244	A *	8/1966	Katz	4/252.4
3,416,982	A	12/1968	Petzetakis	

3,860,977	A	1/1975	Poltz
3,937,497	A	2/1976	Studer
D248,133	S	6/1978	Shames et al.
4,146,939	A	4/1979	Izzi
4,194,251	A	3/1980	Pennerstorfer

(Continued)

FOREIGN PATENT DOCUMENTS

FR 1191141 10/1959

(Continued)

OTHER PUBLICATIONS

“Ultralite®—Type NM (Liquidtight Flexible Nonmetallic Conduit)”, Southwire Company brochure/pamphlet, as early as 2003, printed on Dec. 14, 2008, pp. 1-3.

(Continued)

Primary Examiner — T. Chase Nelson

Assistant Examiner — Eric L Goodman

(74) *Attorney, Agent, or Firm* — Sheridan Ross P.C.

(57) **CLAIM**

The ornamental design for a flexible bathtub waste pipe assembly, as shown and described.

DESCRIPTION

FIG. 1 is a perspective view of the flexible bathtub waste pipe assembly showing the new design;

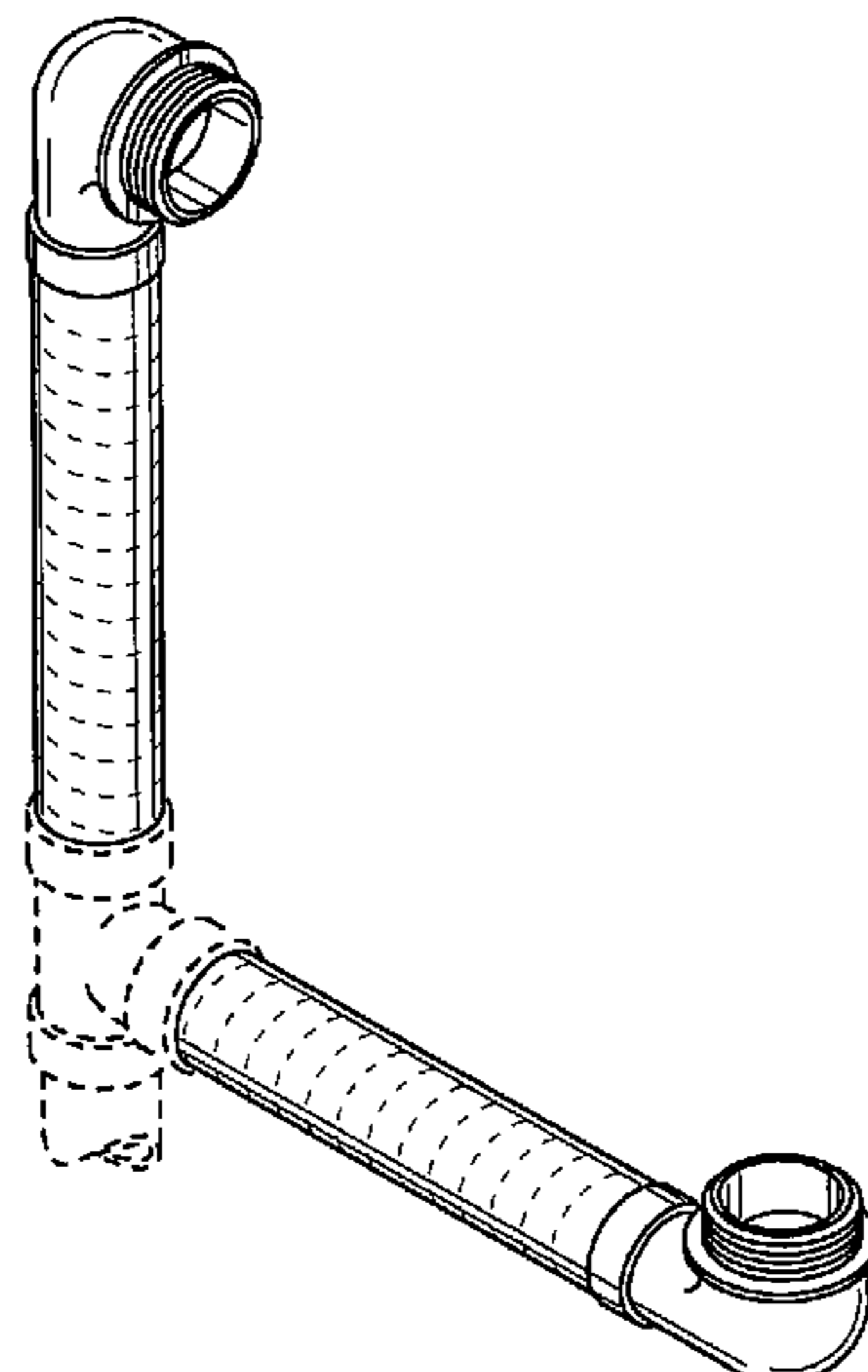
FIG. 2 is a front elevation view thereof, the rear elevation view being a mirror image of the front elevation view;

FIG. 3 is a perspective view of an alternate embodiment of the flexible bathtub waste pipe assembly, the only difference being the omission of portions associated with the elbows shown; and,

FIG. 4 is a front elevation view thereof, the rear elevation view being a mirror image of the front elevation view.

The broken lines in the figures show environment and is for illustrative purposes only and forms no part of the claimed design.

1 Claim, 2 Drawing Sheets



US D636,468 S

Page 2

U.S. PATENT DOCUMENTS

4,233,697	A	11/1980	Cornwall	
4,240,166	A	12/1980	Altman et al.	
4,294,370	A	10/1981	Toeppen	
4,307,901	A	12/1981	Orberg et al.	
4,352,213	A	10/1982	Watts	
4,470,437	A	9/1984	Rabinovich	
4,594,738	A	6/1986	Gebert	
4,599,784	A	7/1986	Canu, Jr. et al.	
4,683,597	A	8/1987	Taylor et al.	
4,722,556	A *	2/1988	Todd	285/12
4,796,926	A *	1/1989	Rapsilver	285/181
4,825,477	A	5/1989	Aranda	
4,920,582	A	5/1990	Alker	
4,936,350	A	6/1990	Huber	
5,115,554	A	5/1992	Fell, Sr.	
5,163,480	A	11/1992	Huber	
D341,410	S *	11/1993	Molinaro	D23/238
5,324,001	A *	6/1994	Duke	251/147
5,350,266	A	9/1994	Espey et al.	
5,377,361	A	1/1995	Piskula	
5,507,501	A	4/1996	Palmer	
D373,623	S	9/1996	Mathison	
D381,405	S *	7/1997	Waidele et al.	D23/266
5,692,248	A	12/1997	Ball	
5,745,931	A	5/1998	Ball	
5,890,241	A	4/1999	Ball	
5,944,985	A *	8/1999	Bowman	210/153
5,957,514	A	9/1999	Brookshire	
5,971,438	A *	10/1999	Johnson	285/12
5,997,049	A	12/1999	Kingsford et al.	
6,058,525	A *	5/2000	Paden	4/680
6,058,526	A	5/2000	Parisi et al.	
6,062,254	A *	5/2000	Brady et al.	137/382
6,076,545	A *	6/2000	Cooper	137/360
6,085,363	A	7/2000	Huber	
6,088,843	A	7/2000	Francisco	
6,145,136	A	11/2000	Parisi et al.	
6,173,459	B1	1/2001	Ball	
6,192,531	B1	2/2001	Fritz et al.	
6,263,518	B1	7/2001	Magtanong	
6,295,664	B2	10/2001	Fritz et al.	
6,317,906	B1	11/2001	Ball	
6,338,168	B1	1/2002	Valentine	

6,418,570	B1	7/2002	Ball	
6,484,331	B2	11/2002	Minnick	
6,530,722	B1	3/2003	Shaw et al.	
6,546,573	B1	4/2003	Ball	
6,592,669	B2	7/2003	Damrau	
6,618,875	B1	9/2003	Oropallo et al.	
6,637,050	B1	10/2003	Ball	
6,640,358	B2	11/2003	Ball	
6,675,406	B2	1/2004	Ball	
6,681,420	B1 *	1/2004	Ball	4/680
6,691,411	B2	2/2004	Ball	
6,901,611	B2 *	6/2005	McEntire et al.	4/680
7,210,493	B1 *	5/2007	Wang	137/15.01
7,343,923	B2 *	3/2008	Foster	137/1
7,451,502	B2	11/2008	Ball	
2002/0032926	A1	3/2002	Lewis	
2003/0000012	A1 *	1/2003	Ball	4/680
2004/0034926	A1 *	2/2004	Ball	4/680
2004/0055083	A1	3/2004	Ball	
2004/0055084	A1 *	3/2004	Ball	4/680
2004/0068792	A1	4/2004	Ball	
2004/0068793	A1	4/2004	Ball	
2004/0103474	A1 *	6/2004	Ball	4/680
2004/0117907	A1	6/2004	Ball	
2005/0022300	A1 *	2/2005	McEntire et al.	4/680
2006/0085907	A1 *	4/2006	Ball	4/680
2006/0096018	A1	5/2006	Ball	
2006/0096019	A1	5/2006	Ball	
2007/0044230	A1 *	3/2007	Ball	4/680
2008/0196161	A1 *	8/2008	Ball	4/680
2009/0173396	A1 *	7/2009	Spadavecchia	137/357
2009/0250120	A1 *	10/2009	Robbins	137/360
2009/0260154	A1 *	10/2009	Shoop et al.	4/680
2010/0163131	A1 *	7/2010	Fehr et al.	138/89

FOREIGN PATENT DOCUMENTS

GB 1216208 12/1970

OTHER PUBLICATIONS

Official Action for U.S. Appl. No. 10/971,895, mailed Apr. 25, 2007.
 Official Action for U.S. Appl. No. 10/971,895, mailed Oct. 12, 2007.

* cited by examiner

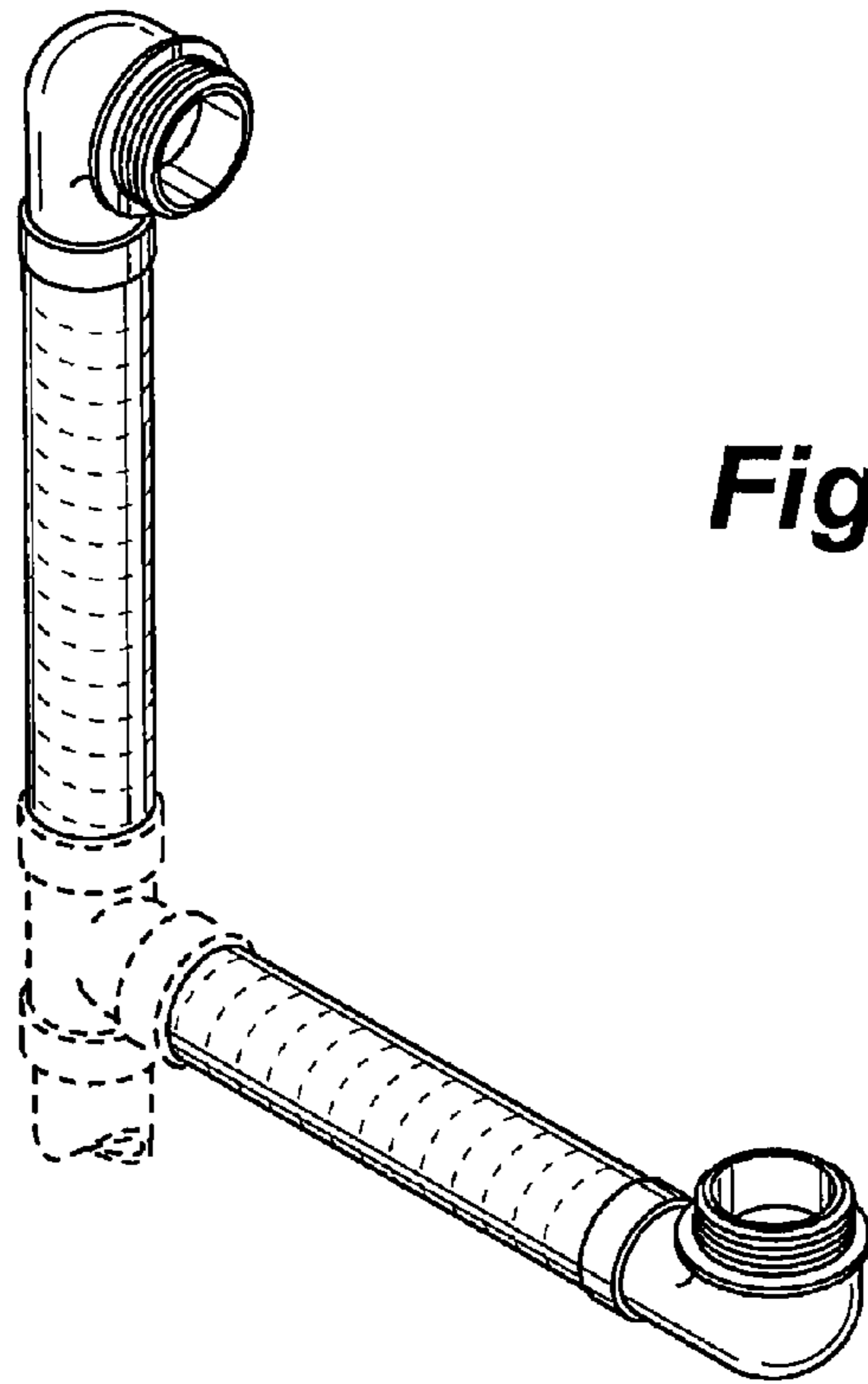


Fig. 1

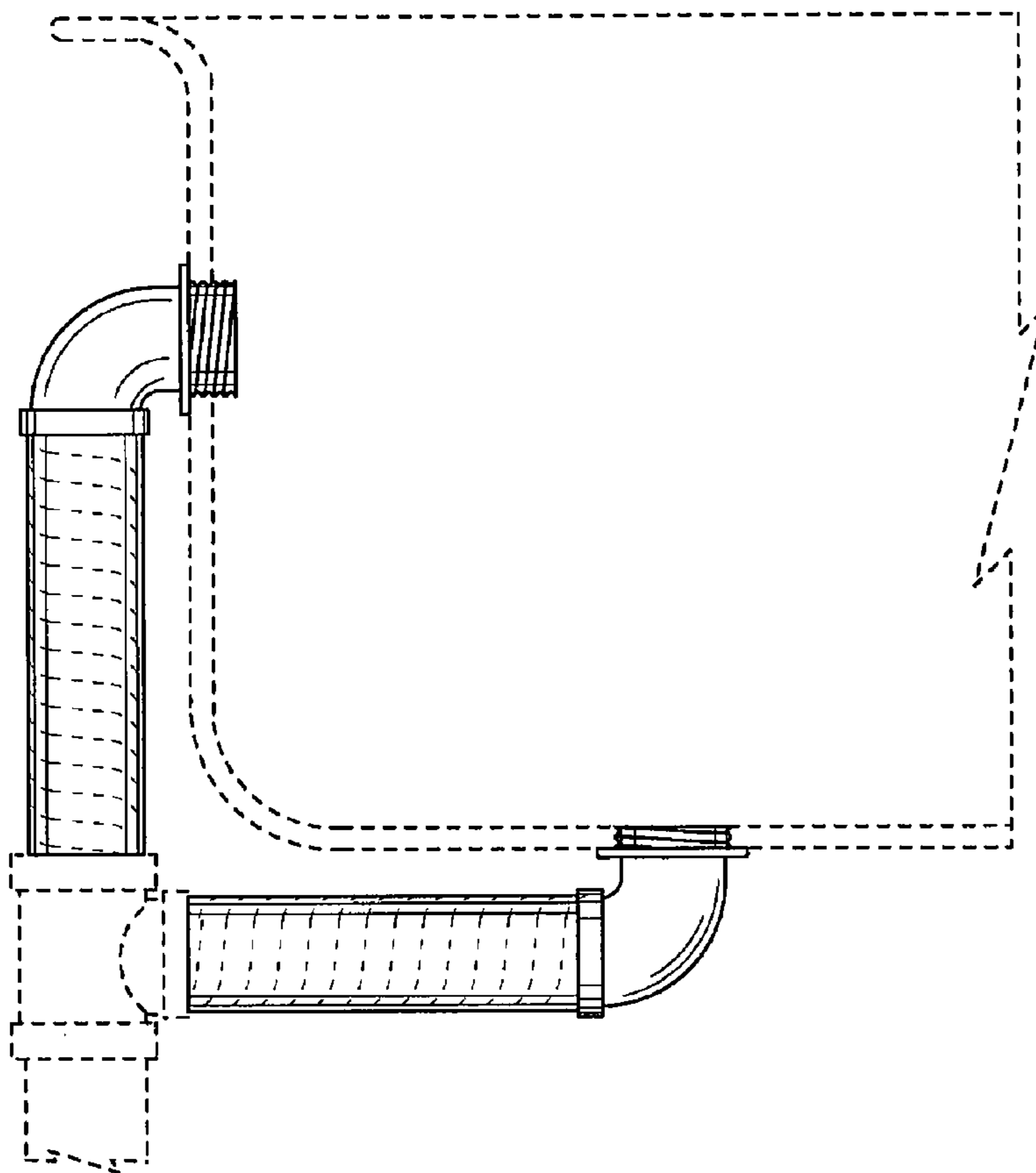


Fig. 2

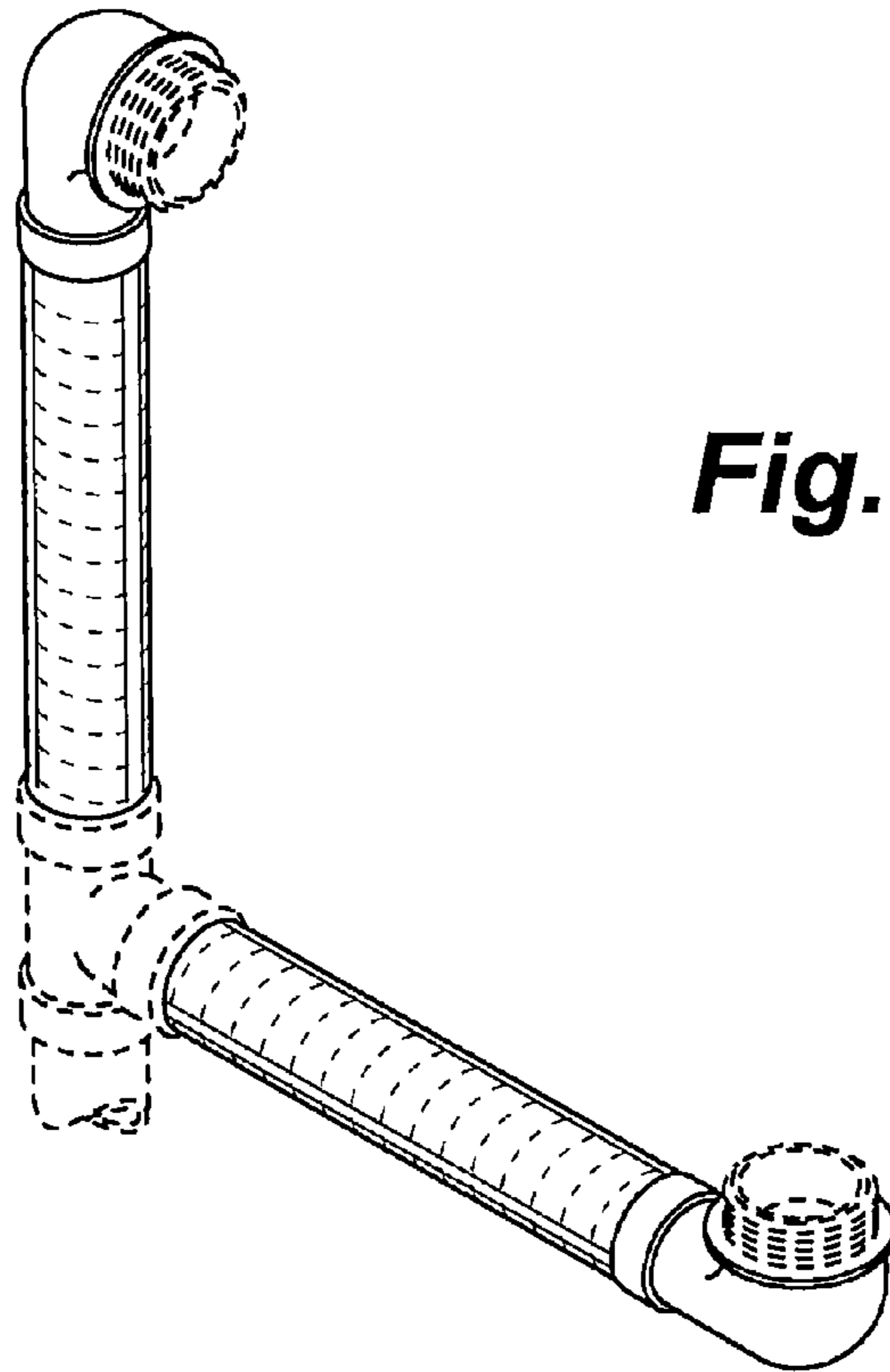


Fig. 3

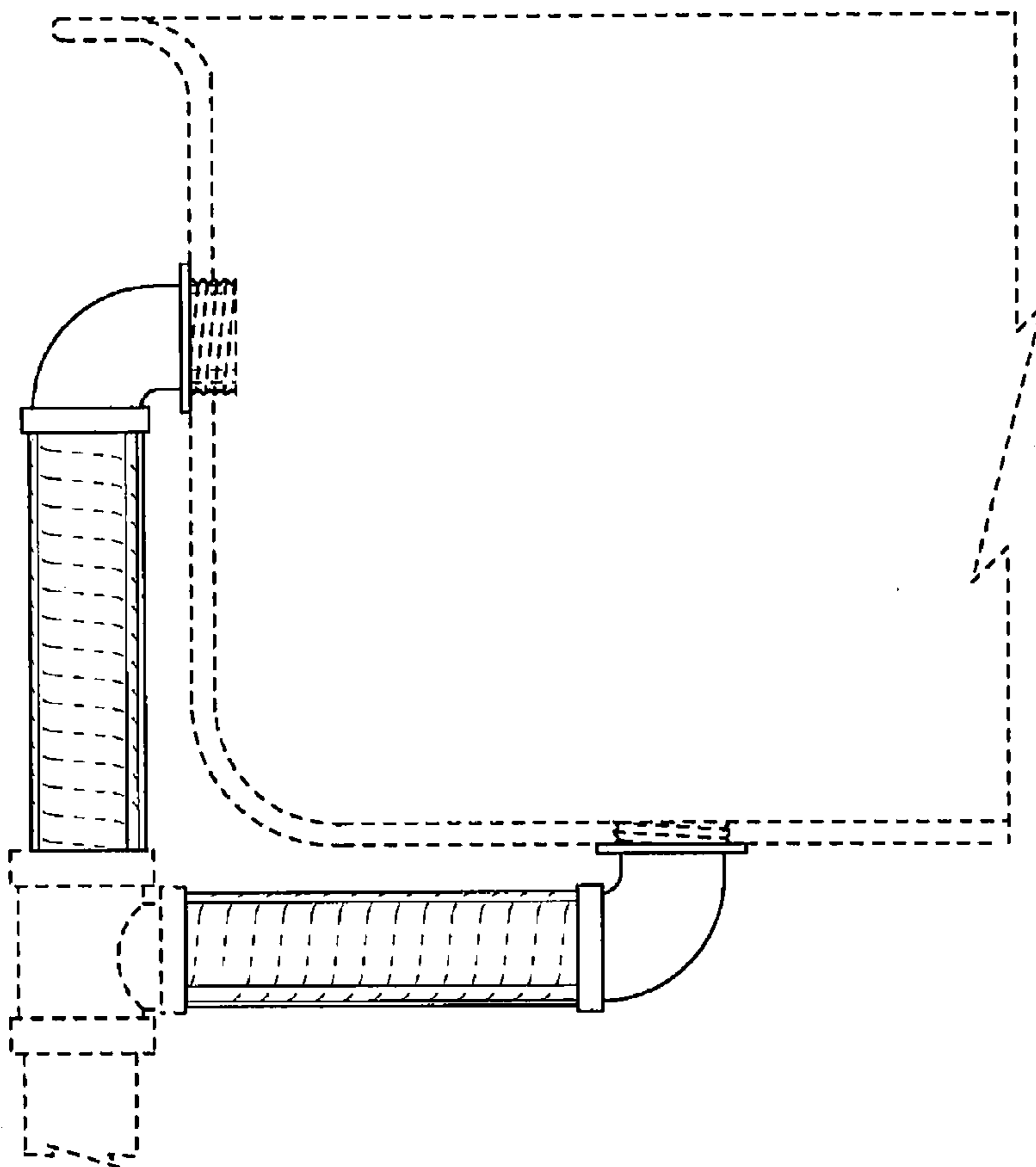


Fig. 4