



US00D636465S

(12) **United States Design Patent**
Stein

(10) **Patent No.:** **US D636,465 S**

(45) **Date of Patent:** **** Apr. 19, 2011**

(54) **FLOW REGULATOR**

(75) Inventor: **Alexander Stein**, Ihringen (DE)

(73) Assignee: **Neoperl GmbH**, Mullheim (DE)

(**) Term: **14 Years**

(21) Appl. No.: **29/365,363**

(22) Filed: **Jul. 8, 2010**

Related U.S. Application Data

(62) Division of application No. 29/354,983, filed on Feb. 1, 2010.

Foreign Application Priority Data

Nov. 20, 2009 (EM) 1177364

(51) **LOC (9) Cl.** **23-01**

(52) **U.S. Cl.** **D23/249**

(58) **Field of Classification Search** D23/213,
D23/233-237, 244-249, 257, 260, 259; 138/37,
138/40-42; 239/3, 428.5, 552, 553, 553.5;
261/DIG. 22

See application file for complete search history.

(56) **References Cited**

U.S. PATENT DOCUMENTS

D604,806 S	11/2009	Blum	
D605,732 S	12/2009	Stein	
D609,783 S	2/2010	Blum	
D609,784 S	2/2010	Grether	
D612,911 S *	3/2010	Grether D23/249
D614,735 S *	4/2010	Grether D23/249

* cited by examiner

Primary Examiner — Cathron C. Brooks

Assistant Examiner — Maurice Stevens

(74) *Attorney, Agent, or Firm* — Volpe and Koenig, P.C.

(57) **CLAIM**

The ornamental design for a flow regulator, as shown and described.

DESCRIPTION

FIG. 1 is a top, front perspective view of a flow regulator according to my design;

FIG. 2 is a bottom, rear perspective view thereof;

FIG. 3 is a front elevational view thereof;

FIG. 4 is a left side elevational view thereof;

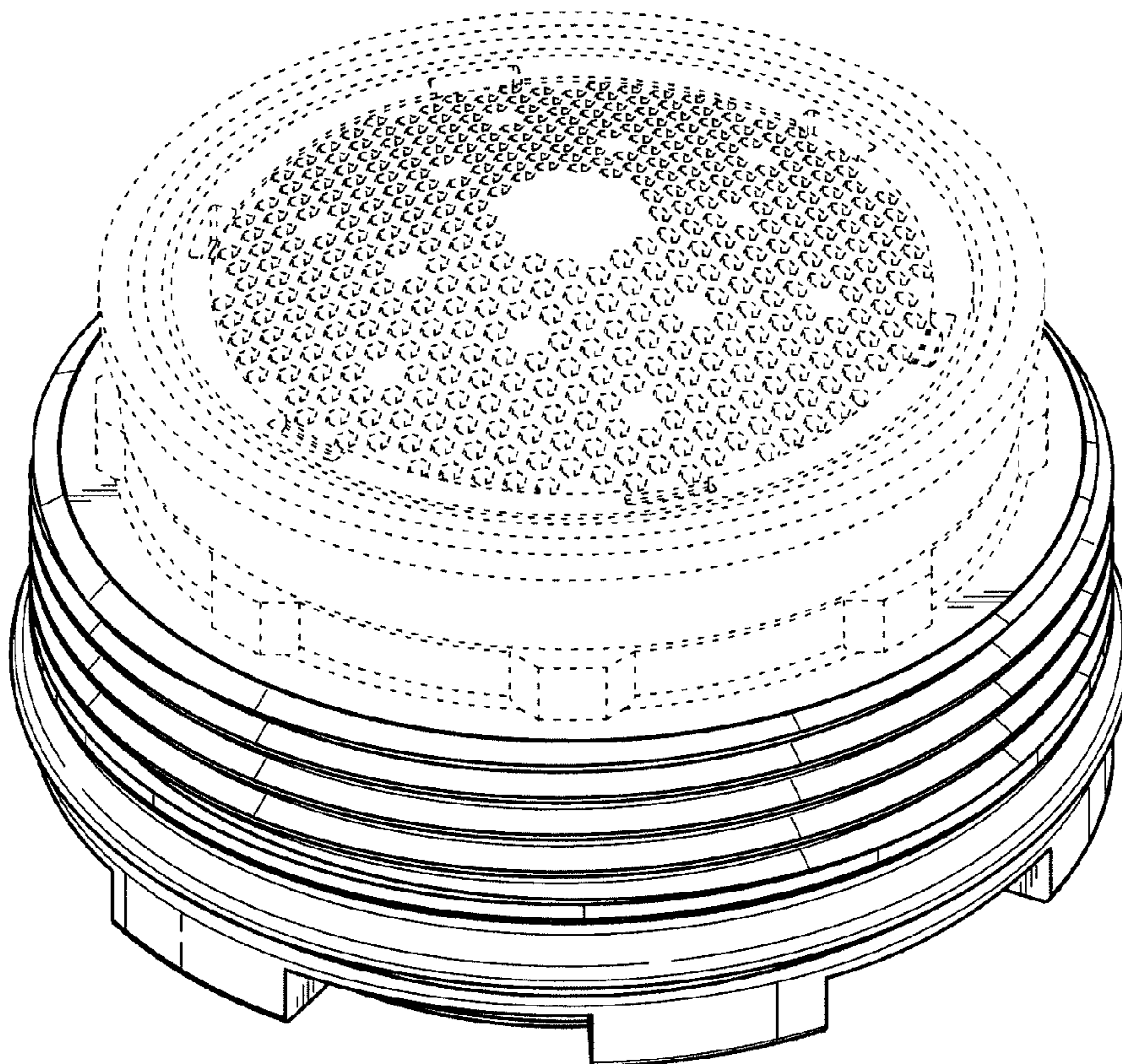
FIG. 5 is a right side elevational view thereof;

FIG. 6 is a top plan thereof; and,

FIG. 7 is a bottom view thereof.

The broken lines shown in the drawings form no part of the claimed design.

1 Claim, 7 Drawing Sheets



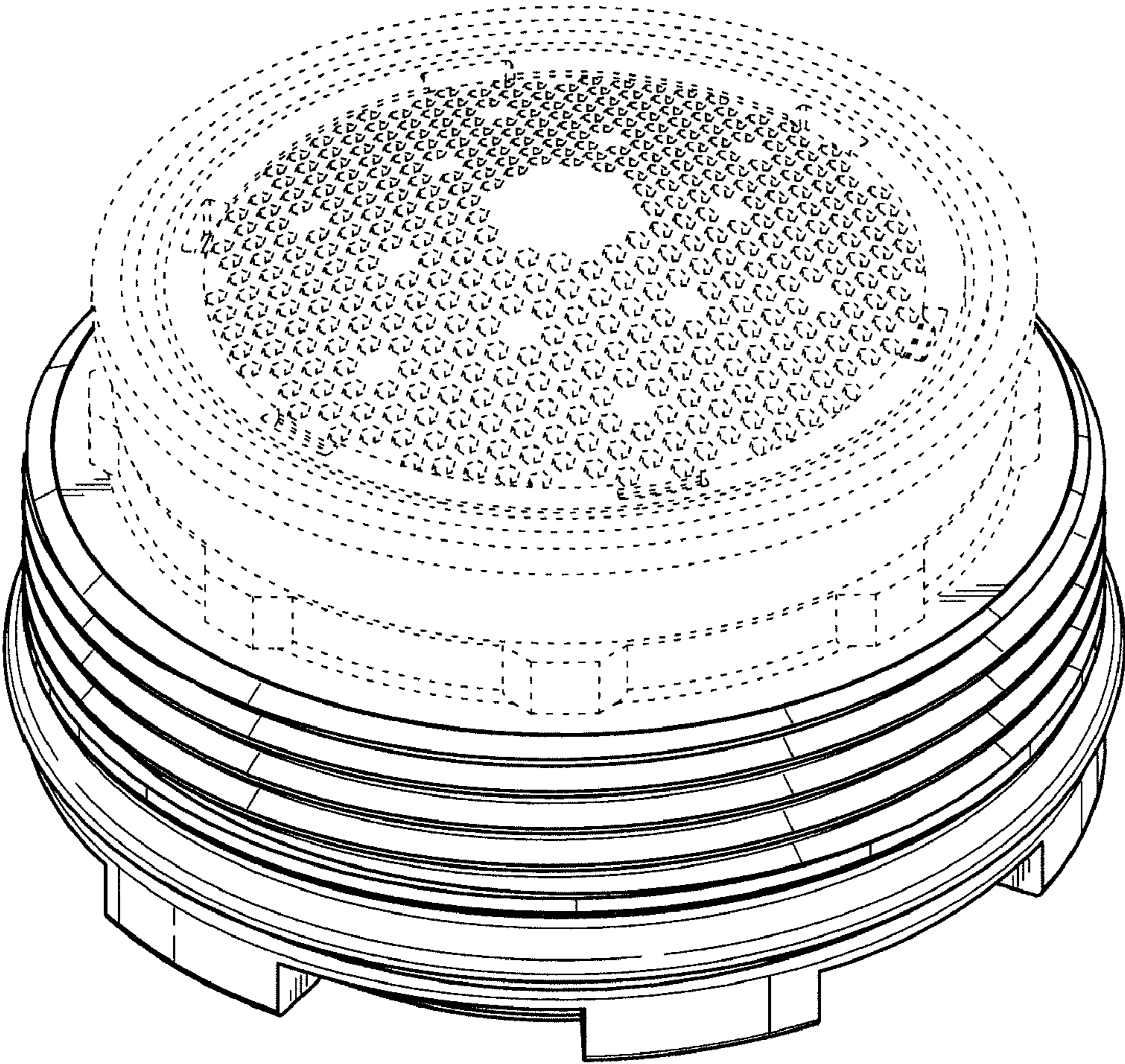


FIG. 1

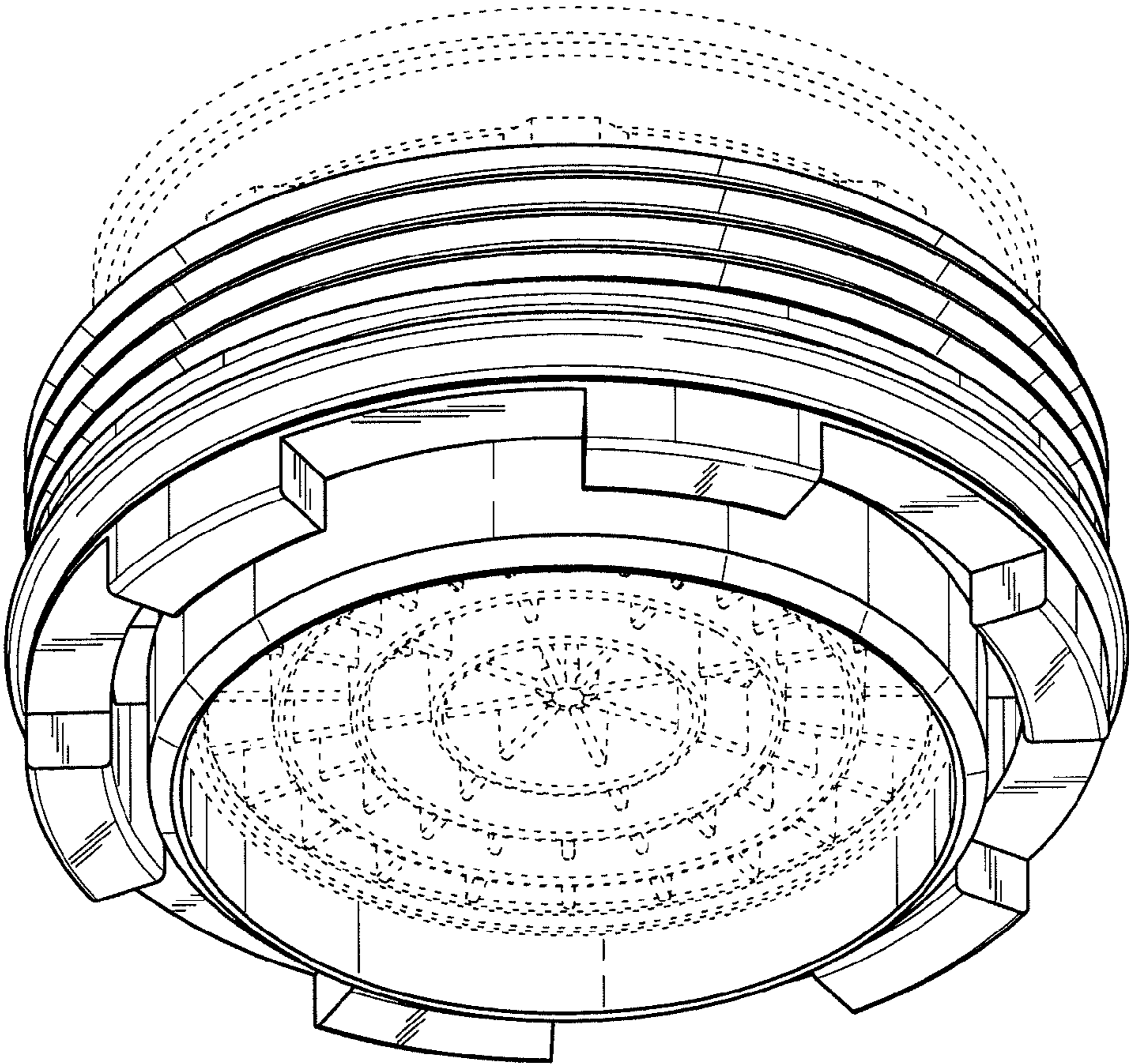


FIG. 2

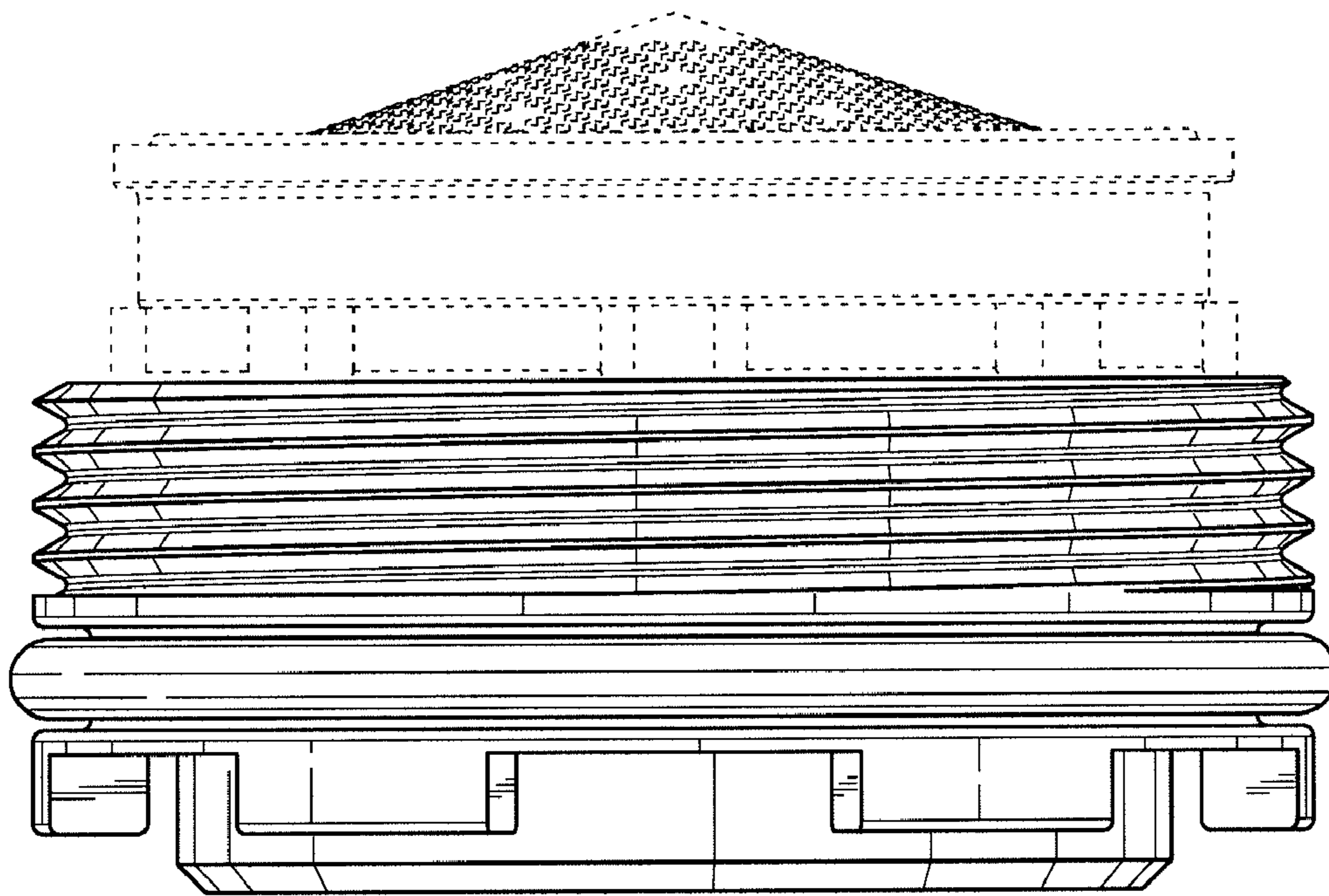


FIG. 3

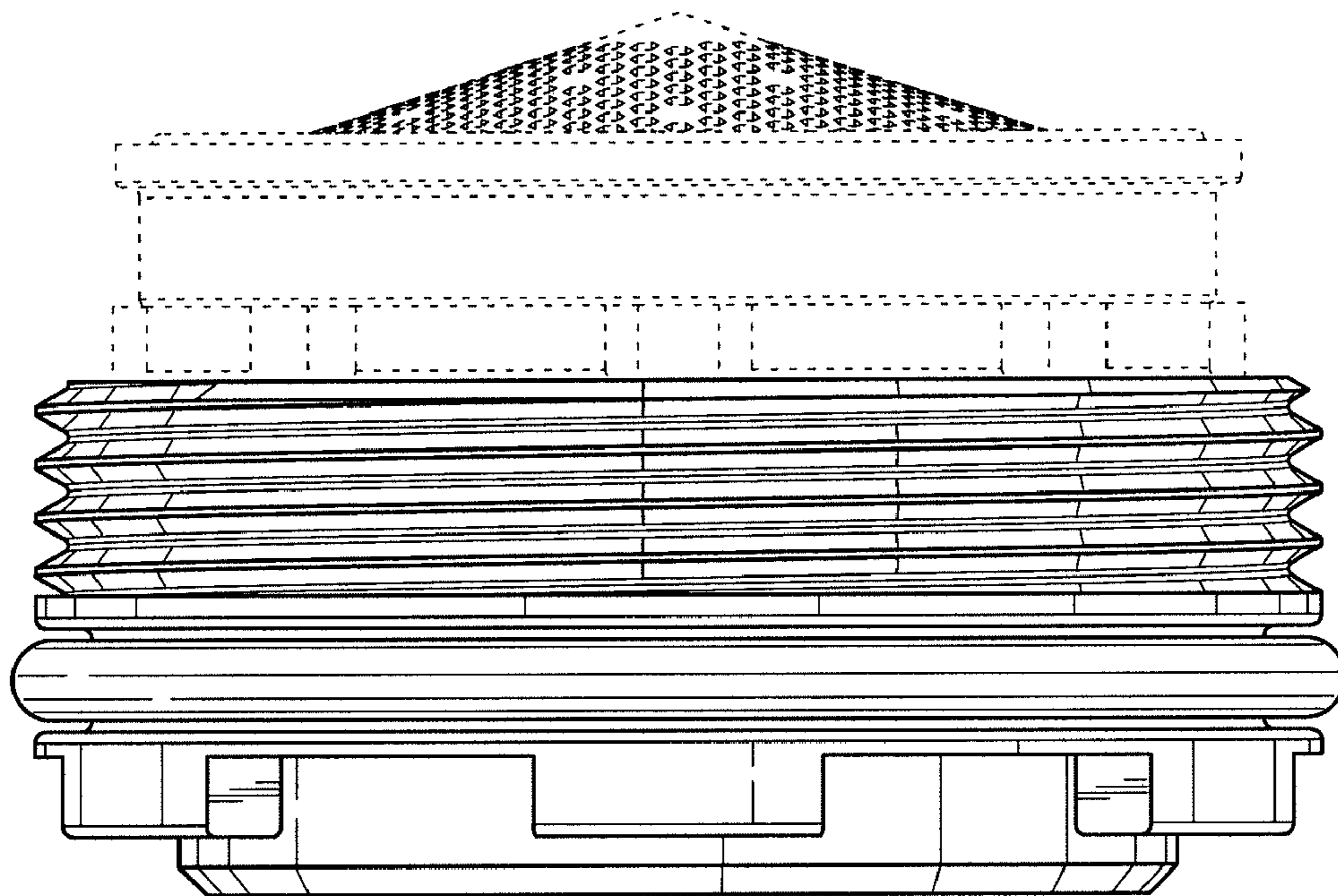


FIG. 4

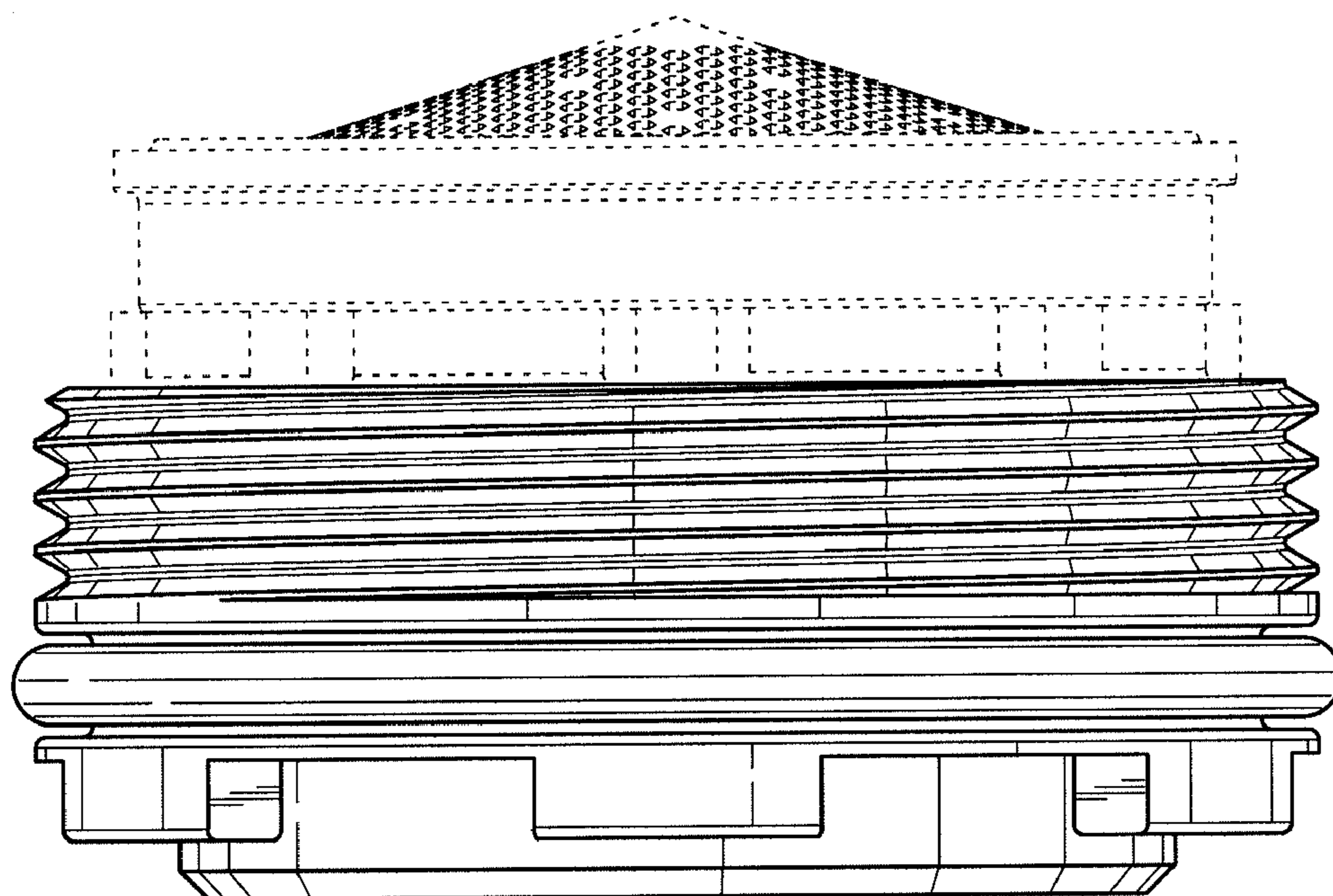


FIG. 5

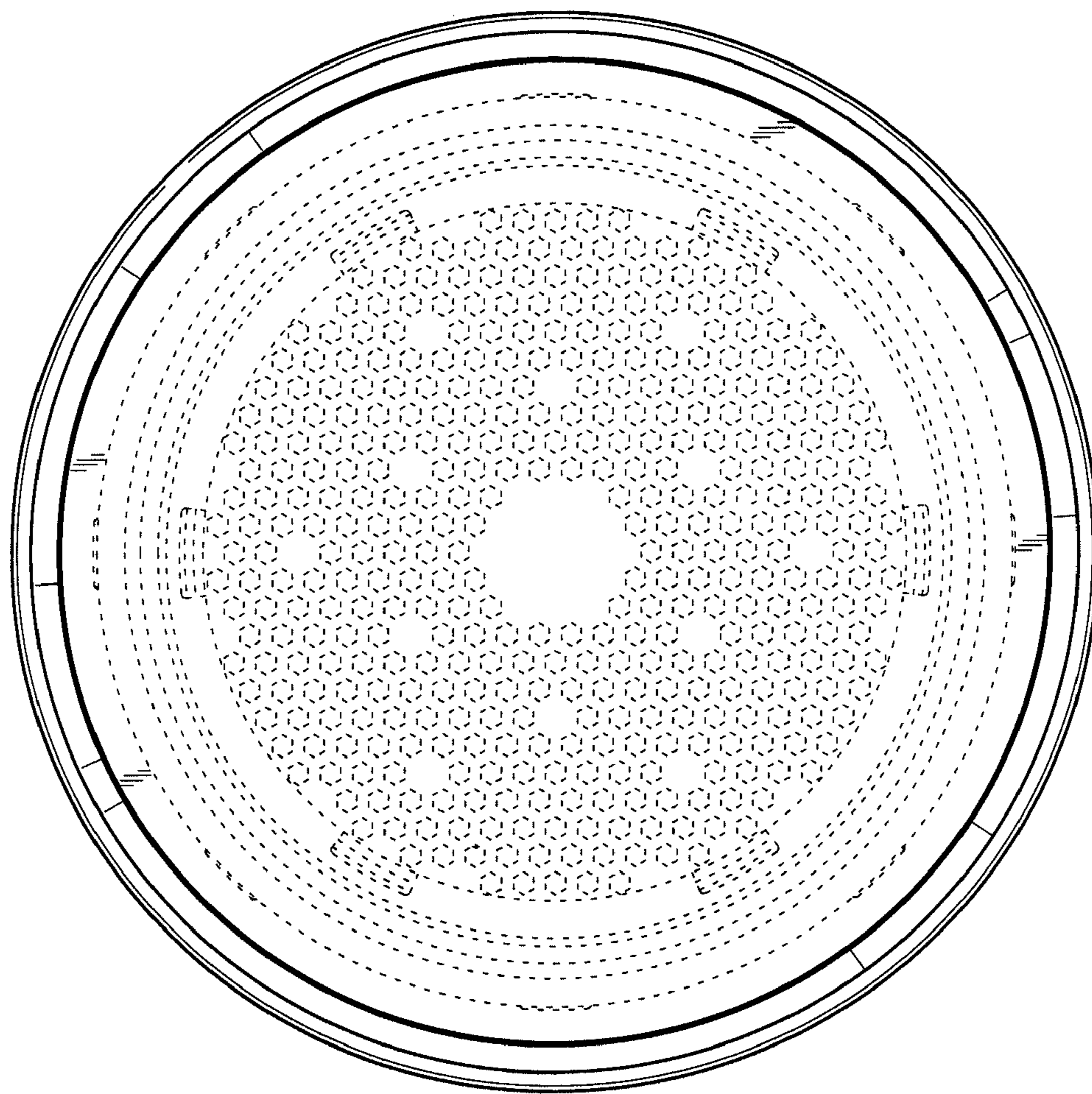


FIG. 6

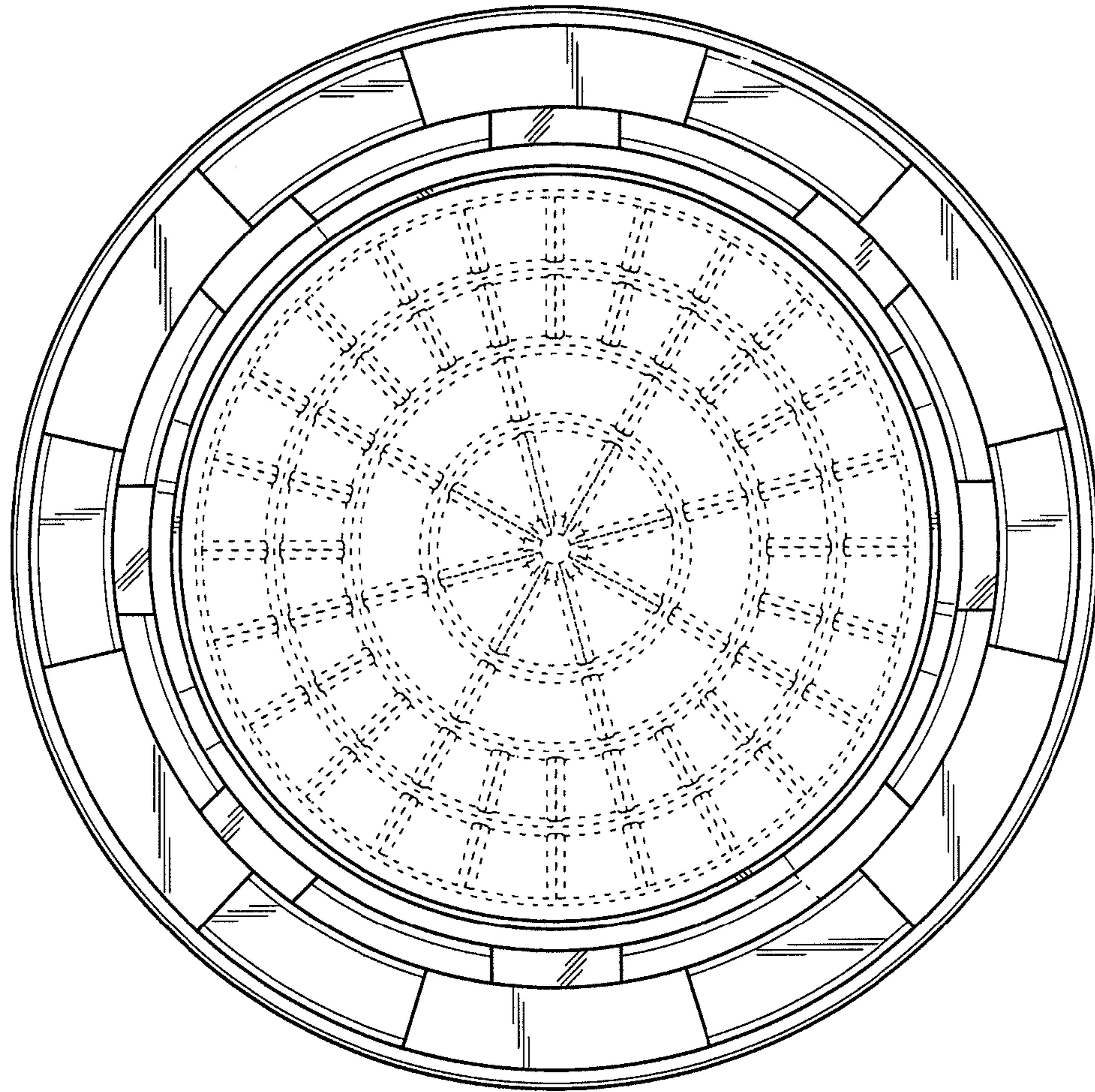


FIG. 7