



US00D636462S

(12) **United States Design Patent**  
**Romero et al.**

(10) **Patent No.:** **US D636,462 S**

(45) **Date of Patent:** **\*\* Apr. 19, 2011**

(54) **FAUCET BODY**

(75) Inventors: **Emilie Williams Romero**, Chicago, IL (US); **Judd A. Lord**, Fishers, IN (US)

(73) Assignee: **Masco Corporation of Indiana**, Indianapolis, IN (US)

(\*\*) Term: **14 Years**

(21) Appl. No.: **29/362,210**

(22) Filed: **May 21, 2010**

(51) **LOC (9) Cl.** ..... **23-01**

(52) **U.S. Cl.** ..... **D23/238**

(58) **Field of Classification Search** ..... D23/238,  
D23/242–243, 250, 252–254, 255, 257; 4/675–678;  
137/801

See application file for complete search history.

(56) **References Cited**

**U.S. PATENT DOCUMENTS**

D535,363 S *	1/2007	Williams	.....	D23/241
D607,978 S *	1/2010	Williams	.....	D23/255
D612,016 S *	3/2010	Williams	.....	D23/242

\* cited by examiner

*Primary Examiner* — Robert A Delehanty

(74) *Attorney, Agent, or Firm* — Edgar A. Zarins; Nirav D. Parikh

(57) **CLAIM**

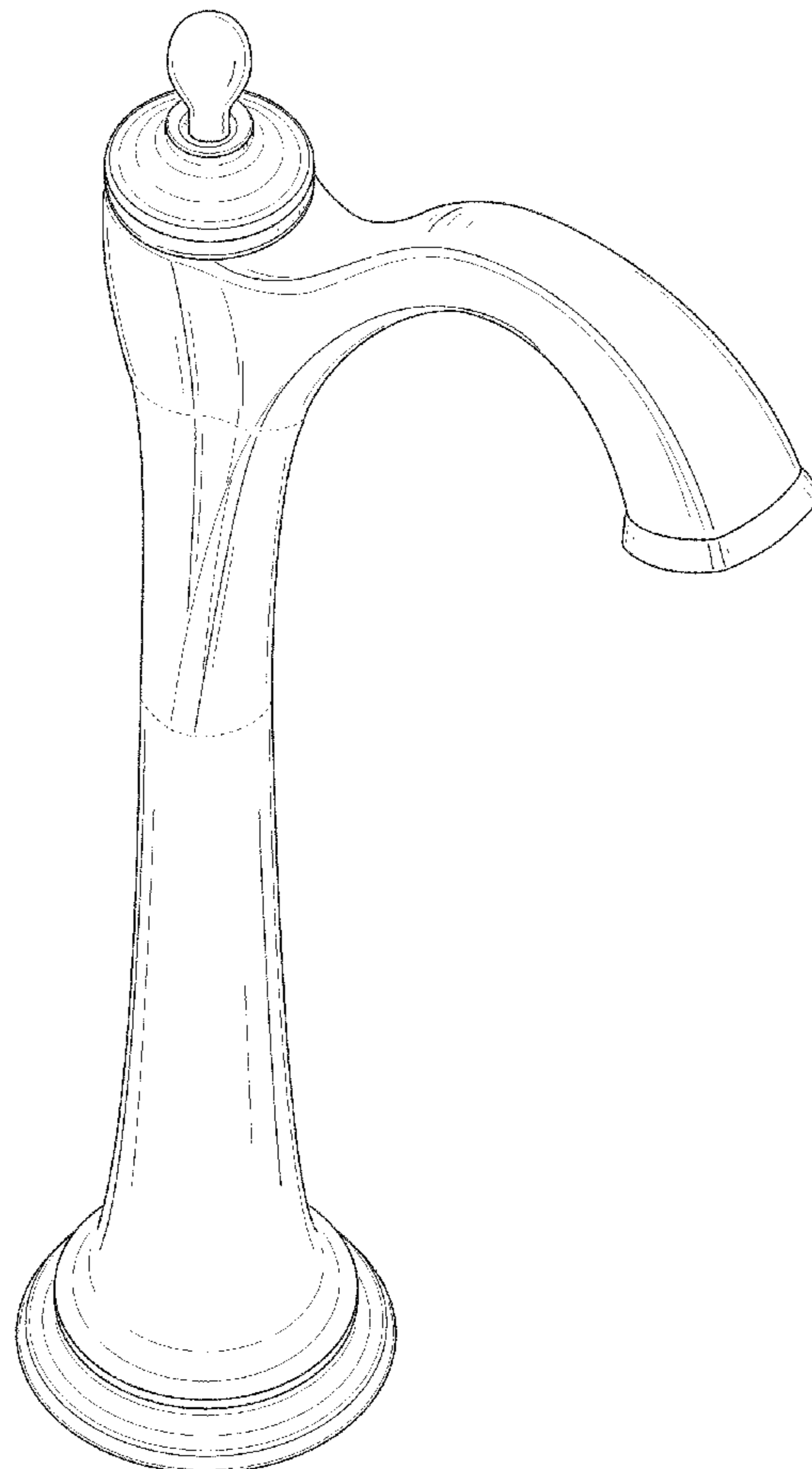
The ornamental design for a faucet body, as shown and described.

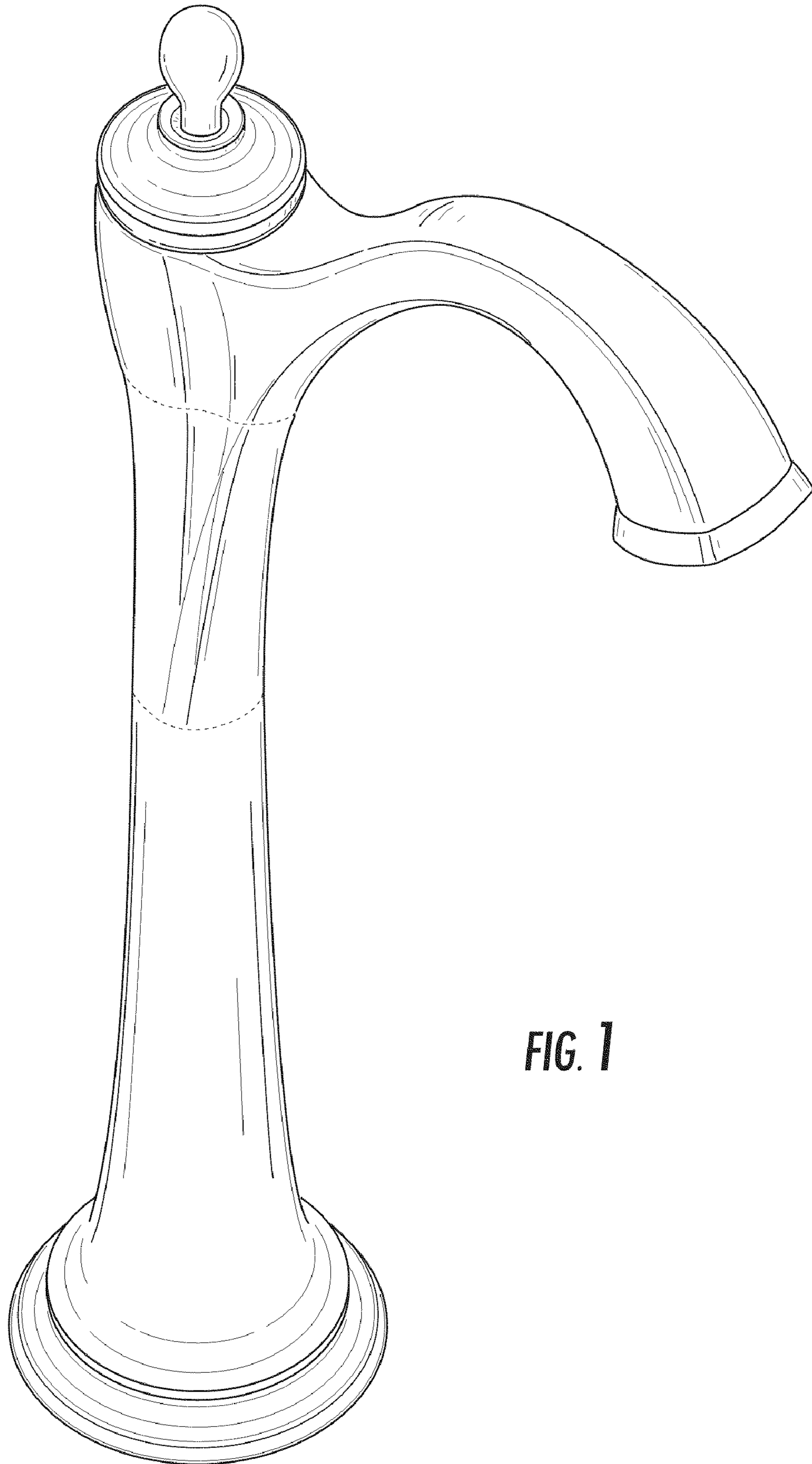
**DESCRIPTION**

FIG. 1 is a perspective view of a faucet body showing our new design;  
FIG. 2 is a front elevational view thereof;  
FIG. 3 is a rear elevational view thereof;  
FIG. 4 is a right side elevational view thereof;  
FIG. 5 is a left side elevational view being a mirror image thereof; and,  
FIG. 6 is a top plan view thereof.

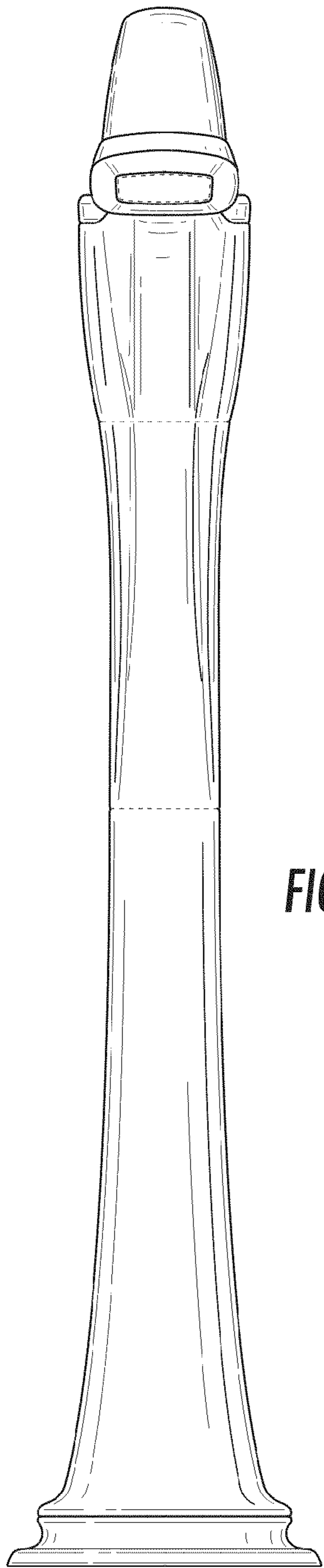
The broken lines in the drawings represent unclaimed portions of the faucet body and form no part of the claimed design.

**1 Claim, 5 Drawing Sheets**

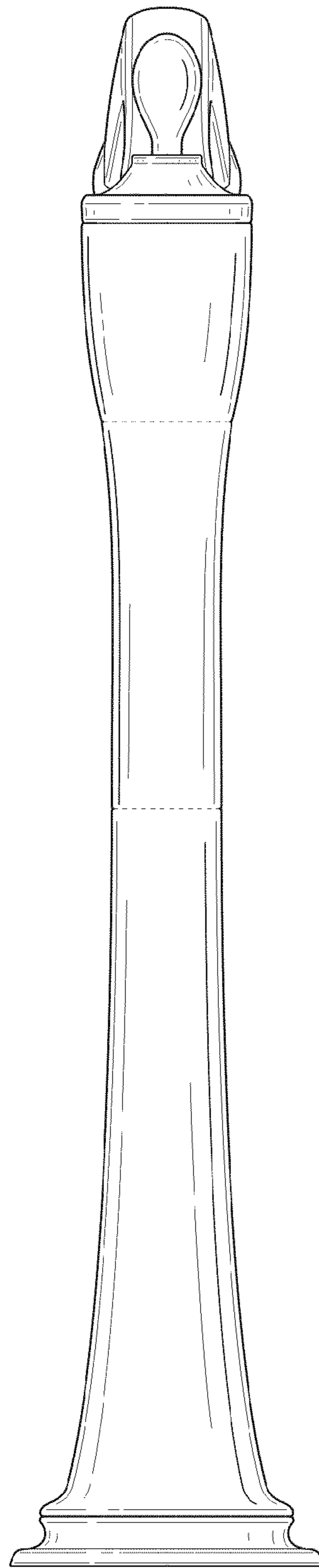




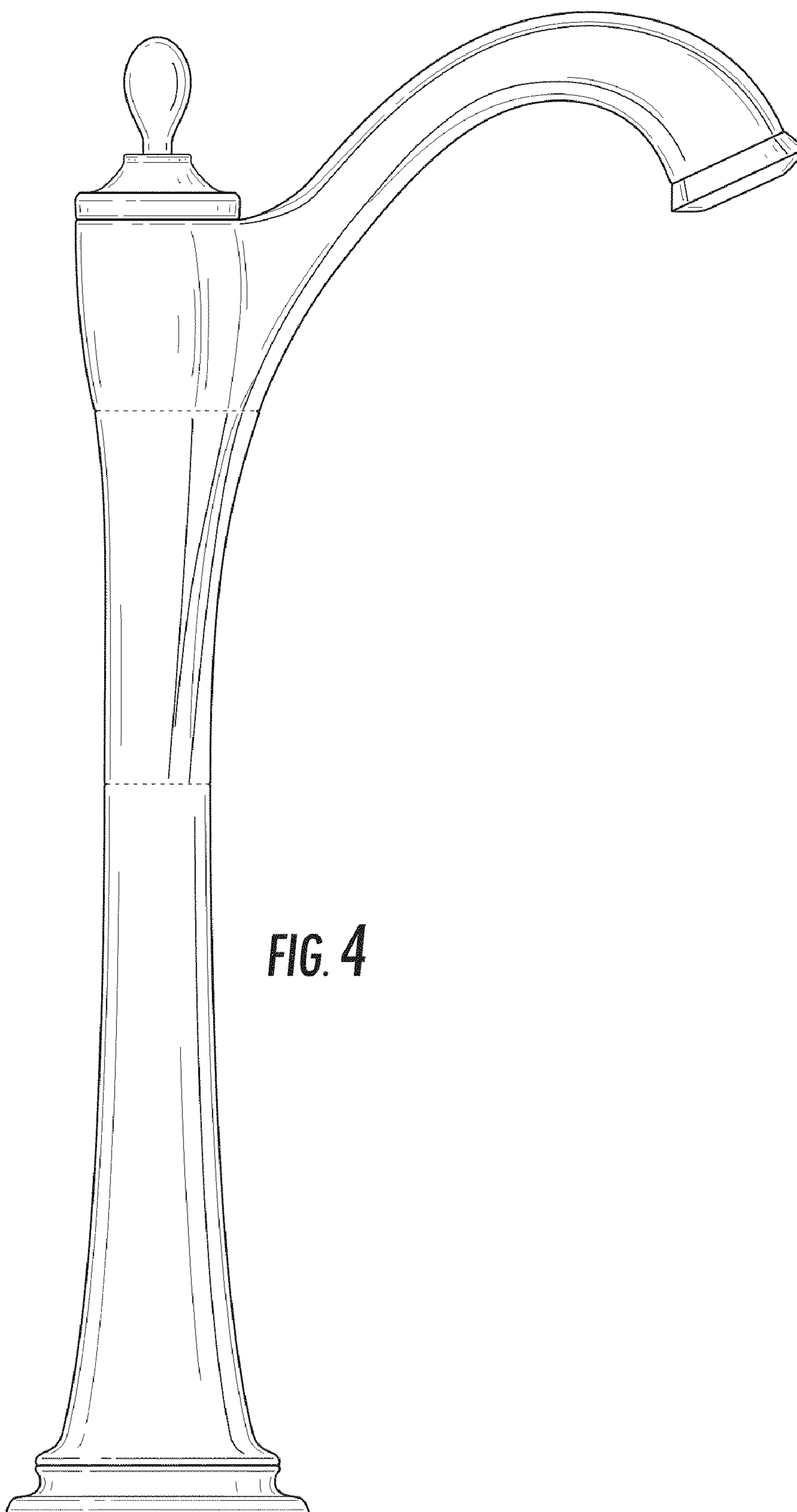
**FIG. 1**



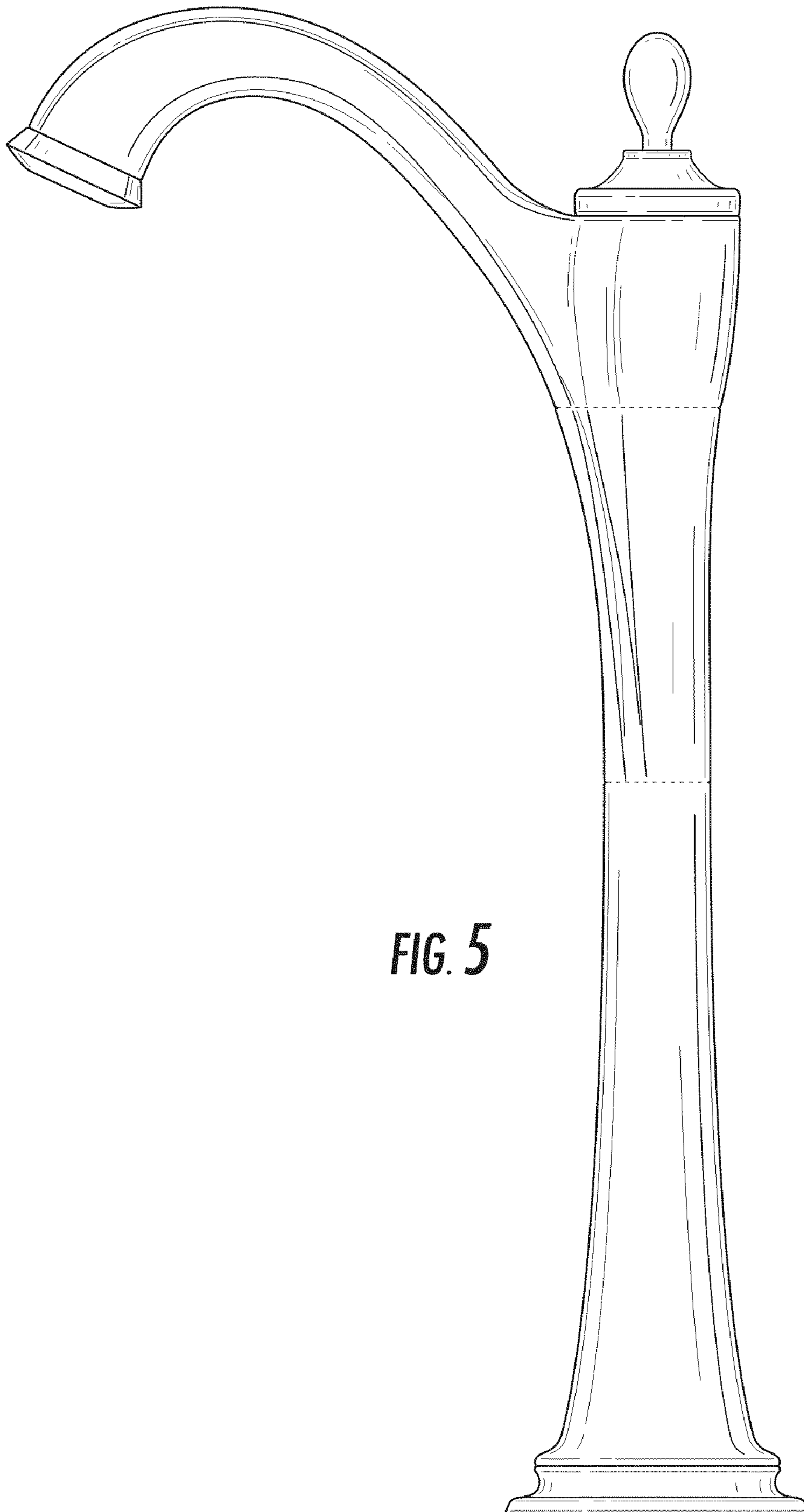
**FIG. 2**



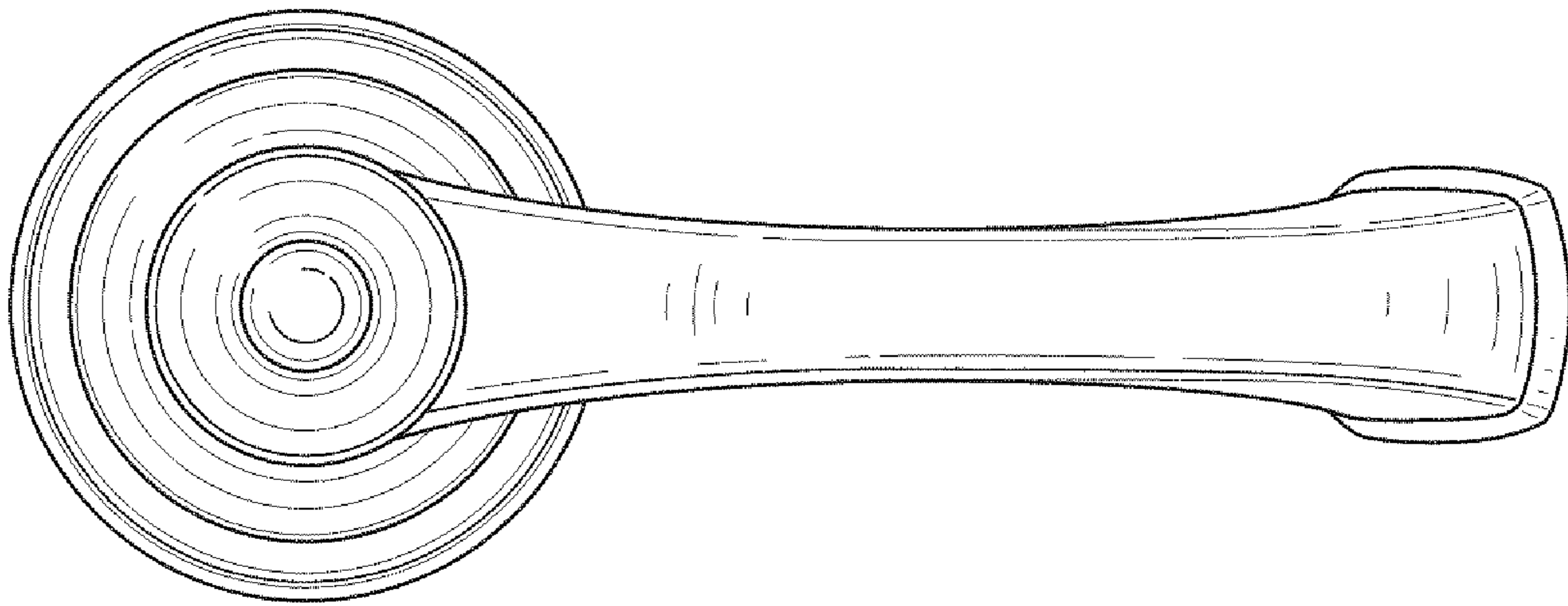
**FIG. 3**



**FIG. 4**



**FIG. 5**



**FIG. 6**