



US00D636459S

(12) **United States Design Patent**
Kah, Jr. et al.

(10) **Patent No.:** **US D636,459 S**

(45) **Date of Patent:** **** Apr. 19, 2011**

(54) **ROTARY NOZZLE HEAD**

(76) Inventors: **Carl L. C. Kah, Jr.**, North Palm Beach, FL (US); **Carl L. C. Kah, III**, North Palm Beach, FL (US); **Weiming Feng**, West Palm Beach, FL (US)

(**) Term: **14 Years**

(21) Appl. No.: **29/377,884**

(22) Filed: **Oct. 27, 2010**

Related U.S. Application Data

(60) Division of application No. 29/357,627, filed on Mar. 15, 2010, now Pat. No. Des. 628,272, which is a division of application No. 29/335,517, filed on Apr. 16, 2009, now Pat. No. Des. 615,152, which is a continuation of application No. 12/348,864, filed on Jan. 5, 2009, and a continuation of application No. 11/947,571, filed on Nov. 29, 2007.

(51) **LOC (9) Cl.** **23-01**

(52) **U.S. Cl.** **D23/214**

(58) **Field of Classification Search** D23/213,
D23/214, 217, 218; 239/276, 200-206, 542,
239/DIG. 1, 237, 210

See application file for complete search history.

(56) **References Cited**

U.S. PATENT DOCUMENTS

D241,249 S *	8/1976	Elek	D23/218
D264,491 S *	5/1982	Hunter	D23/218
D293,815 S *	1/1988	Scott et al.	D23/218
D388,502 S *	12/1997	Kah, III	D23/214
6,145,758 A *	11/2000	Ogi et al.	239/457
6,814,304 B2 *	11/2004	Onofrio	239/201
6,942,164 B2 *	9/2005	Walker	239/204
D527,791 S *	9/2006	Onofrio et al.	D23/214

* cited by examiner

Primary Examiner — Robin V Webster

(74) *Attorney, Agent, or Firm* — Ostrolenk Faber LLP

(57) **CLAIM**

The ornamental design for a rotary nozzle head, as shown and described.

DESCRIPTION

FIG. 1 is a front elevation view of a rotary nozzle head showing my new design, the right side elevation view, left side elevation view and rear elevation view being identical thereto;

FIG. 2 is a top plan view thereof;

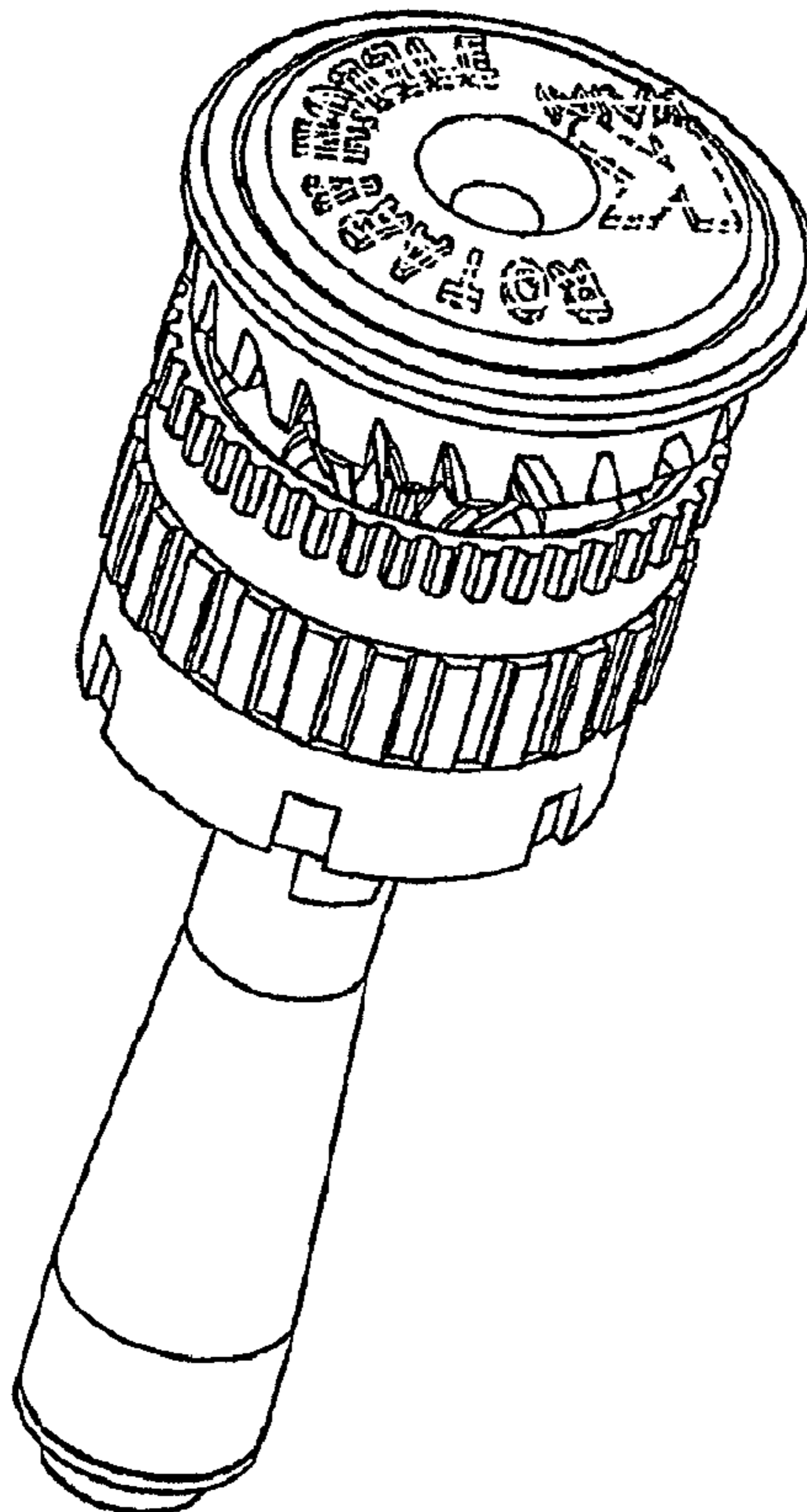
FIG. 3 is a bottom plan view thereof;

FIG. 4 is a top and front perspective view thereof; and,

FIG. 5 is a top and bottom perspective view thereof.

The broken line showing is environmental matter and forms no part of the claimed design.

1 Claim, 5 Drawing Sheets



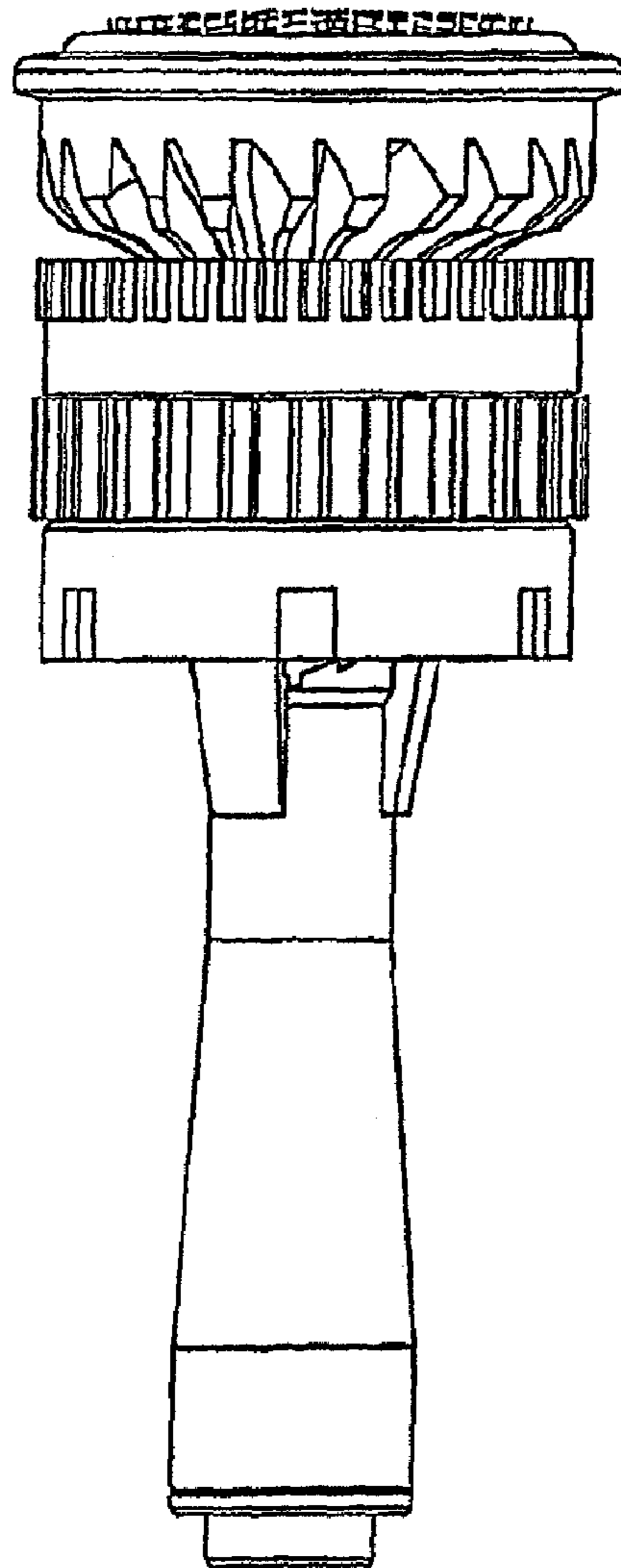


Fig. 1

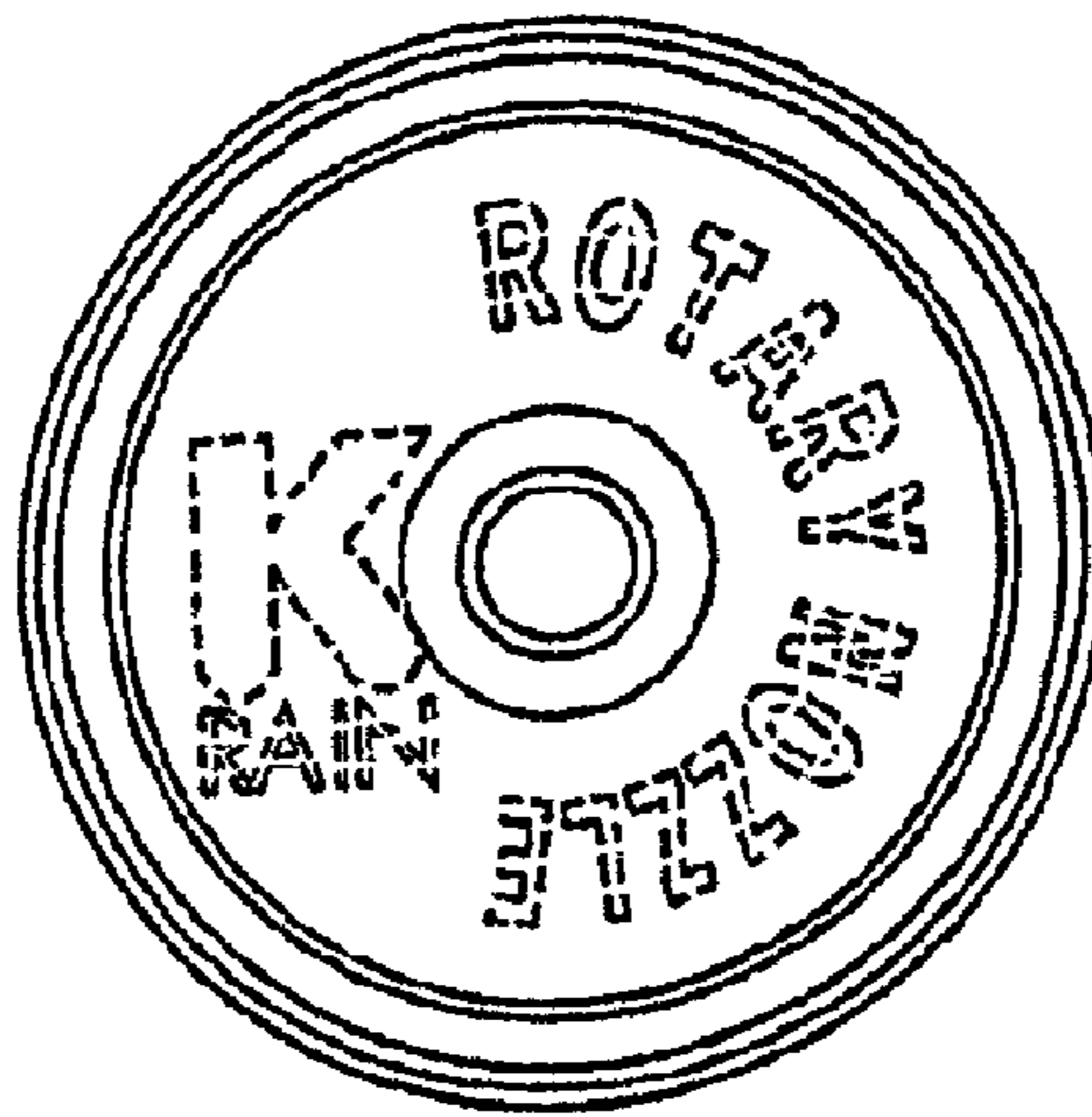


Fig. 2

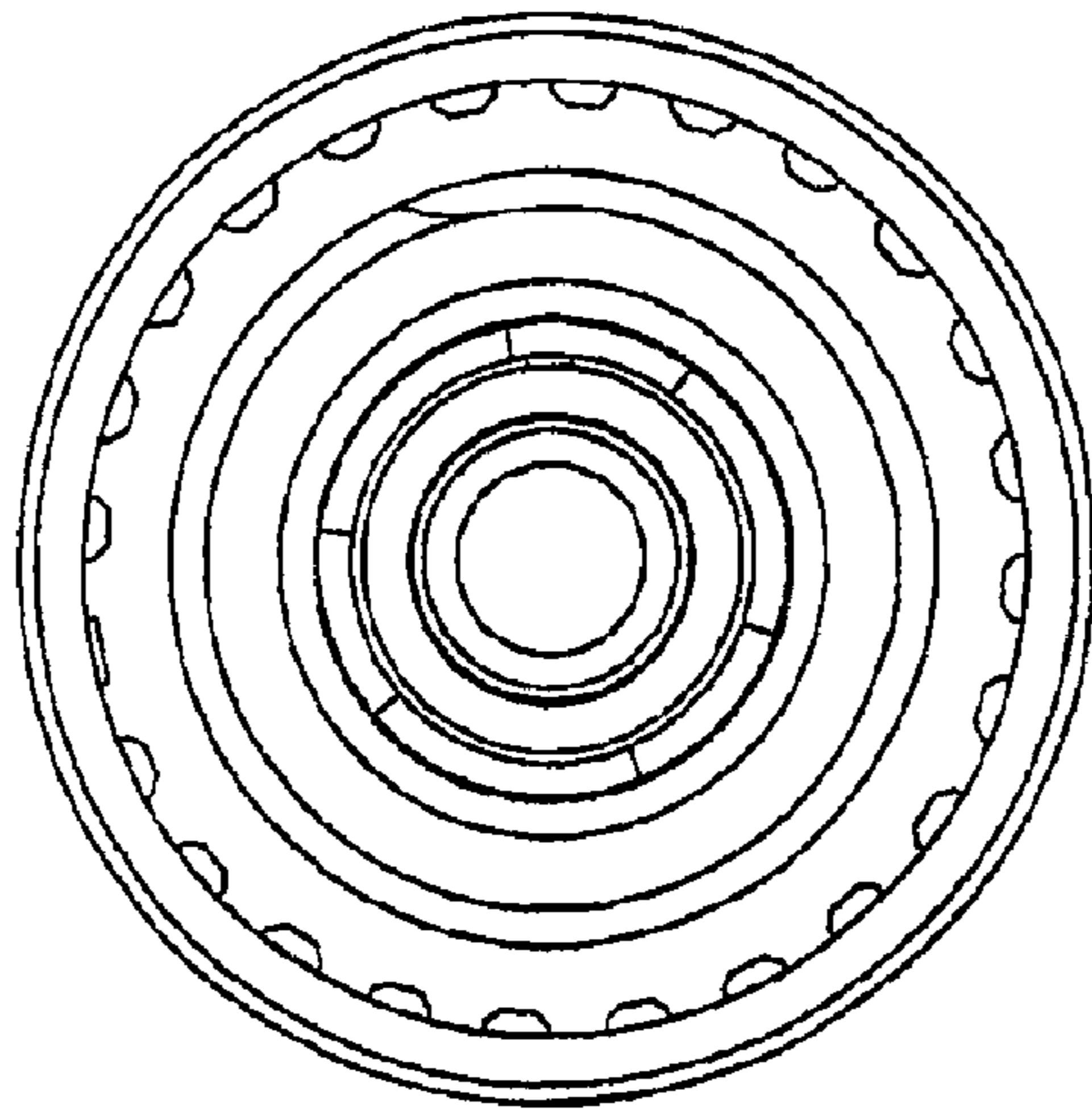


Fig. 3

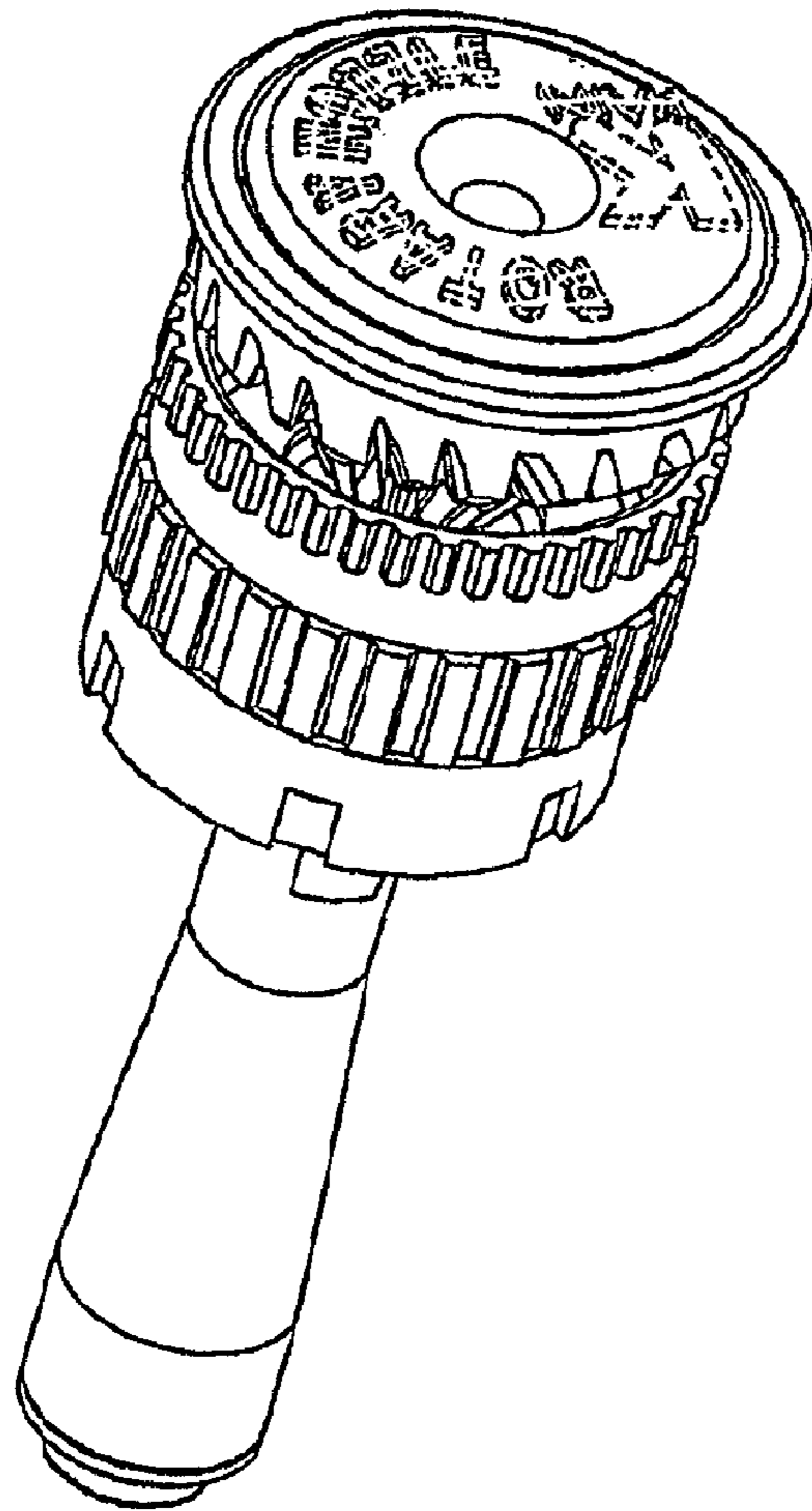


Fig. 4

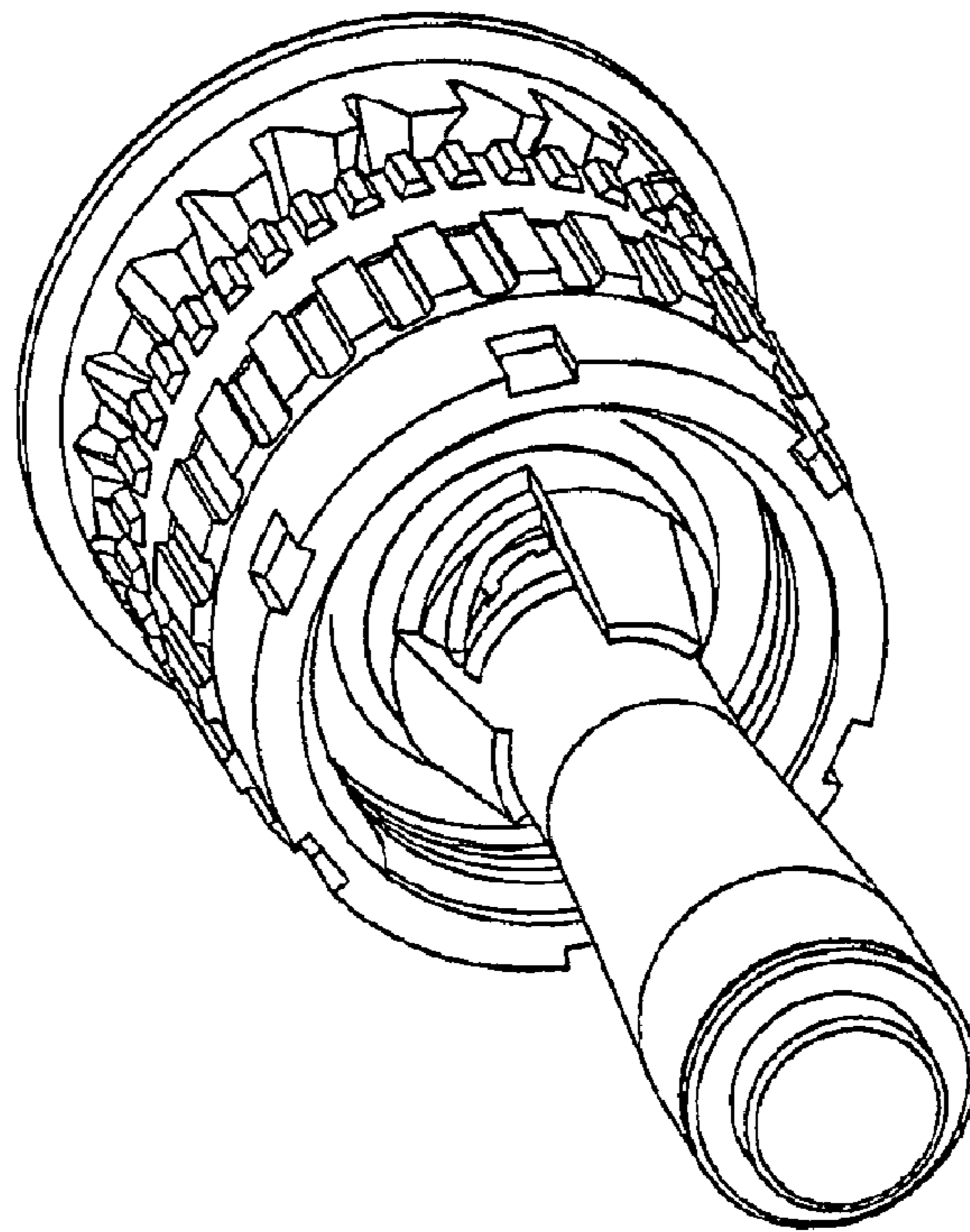


Fig. 5