



US00D636458S

(12) **United States Design Patent**
Born et al.

(10) **Patent No.:** **US D636,458 S**

(45) **Date of Patent:** **** *Apr. 19, 2011**

(54) **DISPENSER CARTRIDGE**

(56) **References Cited**

(75) Inventors: **Jason Alan Born**, Loveland, OH (US);
David James Emmons, Plymouth, MN
(US); **Johannes Nikolai Gaston**,
Minnetonka, MN (US); **Douglas James**
VanOrnum, Minnetonka, MN (US);
Dominic James Daunter, Howell, MI
(US); **Noah Eberhard Dingler**,
Waterford, MI (US)

U.S. PATENT DOCUMENTS

2,188,191 A	1/1940	Roos
2,550,132 A	4/1951	Woods
2,684,787 A	7/1954	Charpiat
2,823,833 A	2/1958	Bauerlein
2,894,377 A	7/1959	Shikles, Jr. et al.
3,240,395 A	3/1966	Carver
3,266,672 A	8/1966	Dean
3,280,591 A	10/1966	Webster
3,292,822 A	12/1966	Crowder et al.
3,299,663 A	1/1967	Butcher
3,312,083 A	4/1967	Scoggins et al.
3,321,097 A	5/1967	Solowey
3,769,977 A	11/1973	Victory
3,784,008 A	1/1974	Troglione
3,974,847 A	8/1976	Hodges
4,173,296 A	11/1979	Marshall
4,196,817 A	4/1980	Moser
4,306,667 A	12/1981	Sedam et al.

(73) Assignee: **The Procter & Gamble Company**,
Cincinnati, OH (US)

(*) Notice: This patent is subject to a terminal disclaimer.

(**) Term: **14 Years**

(21) Appl. No.: **29/354,439**

(22) Filed: **Jan. 25, 2010**

Related U.S. Application Data

(62) Division of application No. 29/333,732, filed on Mar. 13, 2009, now Pat. No. Des. 611,569, which is a division of application No. 29/318,924, filed on May 30, 2008, now Pat. No. Des. 591,389, which is a division of application No. 29/250,520, filed on Nov. 17, 2006, now Pat. No. Des. 592,729.

(51) **LOC (9) Cl.** **23-01**

(52) **U.S. Cl.** **D23/209**

(58) **Field of Classification Search** D23/207,
D23/209; D3/202; 210/85, 198.1, 436-437;
222/189.06

See application file for complete search history.

FOREIGN PATENT DOCUMENTS

DE 296 11 611 U1 3/1996

(Continued)

Primary Examiner — Robin V Webster

(74) *Attorney, Agent, or Firm* — Cynthia L. Clay; Kim William Zerby

(57) **CLAIM**

The ornamental design for a dispenser cartridge, as shown and described.

DESCRIPTION

FIG. 1 is a perspective view of a of a dispenser cartridge illustrating our new design;

FIG. 2 is a front side elevational view of the design of FIG. 1;

FIG. 3 is a back side elevational view of the design of FIG. 1;

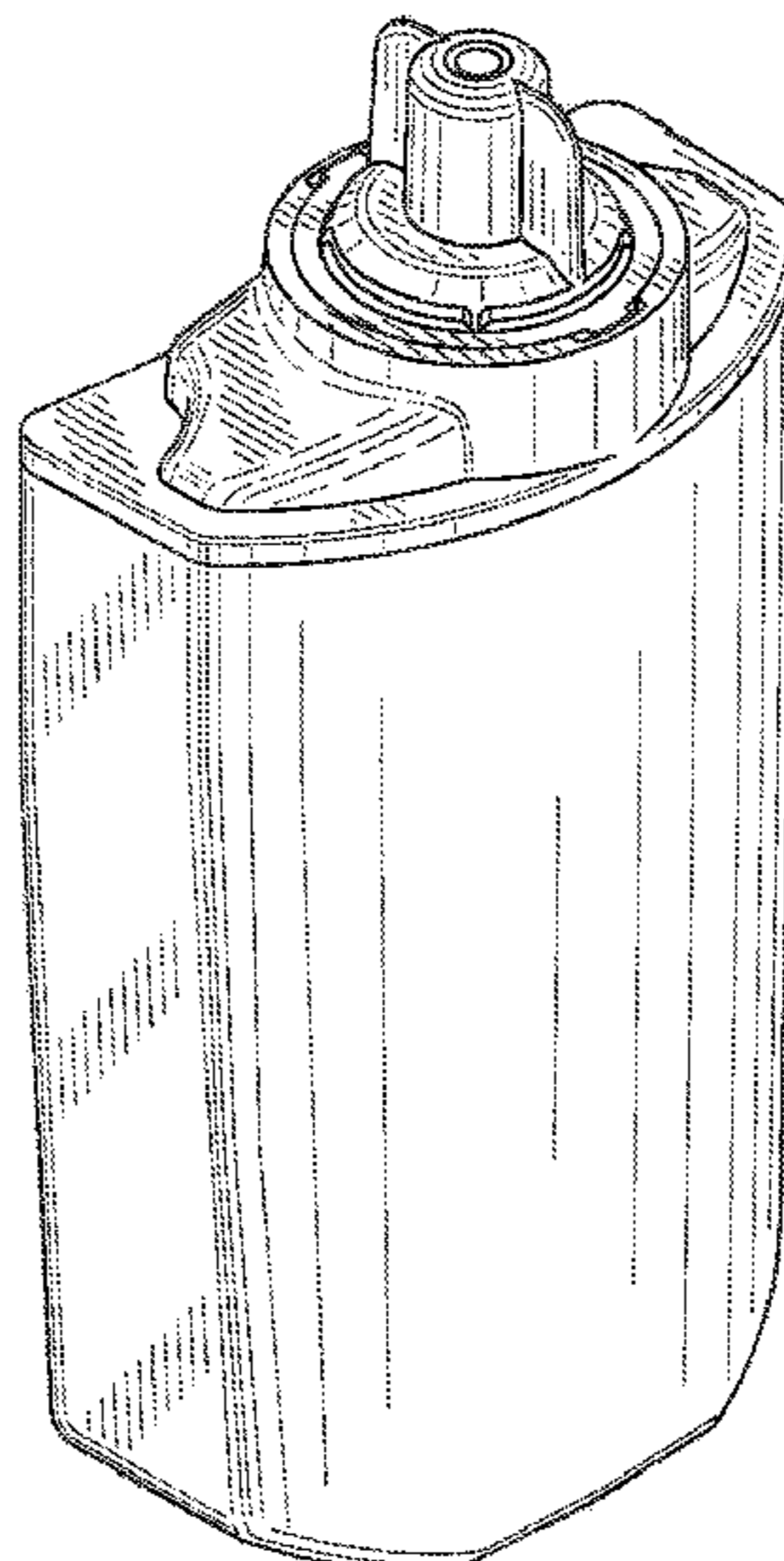
FIG. 4 is a left side elevational view of the design of FIG. 1;

FIG. 5 is a right side elevational view of the design of FIG. 1;

FIG. 6 is a top planar view of the design of FIG. 1; and,

FIG. 7 is a bottom planar view of the design of FIG. 1.

1 Claim, 5 Drawing Sheets



US D636,458 S

Page 2

U.S. PATENT DOCUMENTS

4,335,837 A 6/1982 Bono
 4,440,318 A 4/1984 Berger
 4,493,441 A 1/1985 Sedam et al.
 4,496,080 A 1/1985 Farber et al.
 4,526,730 A 7/1985 Cochran et al.
 4,566,287 A 1/1986 Schmidt et al.
 4,610,145 A 9/1986 Arzberger et al.
 4,627,554 A 12/1986 Leibinsohn
 4,629,098 A 12/1986 Eger
 4,632,275 A 12/1986 Parks
 4,633,678 A 1/1987 Lea et al.
 4,635,824 A 1/1987 Gaunt et al.
 4,651,905 A 3/1987 Hayes
 4,660,741 A 4/1987 Kirschner et al.
 4,674,656 A 6/1987 Wiley et al.
 4,676,283 A 6/1987 Caldwell
 4,703,770 A 11/1987 Arzberger et al.
 4,708,266 A 11/1987 Rudick
 4,750,645 A 6/1988 Wilson et al.
 4,752,018 A 6/1988 Rudick et al.
 4,852,781 A 8/1989 Shurnick et al.
 4,958,629 A 9/1990 Peace et al.
 5,060,833 A 10/1991 Edison et al.
 5,096,095 A 3/1992 Burton
 5,114,048 A 5/1992 Minke
 5,146,870 A 9/1992 Eyas
 5,211,973 A 5/1993 Nohren, Jr.
 5,215,231 A 6/1993 Paczonay
 5,772,017 A 6/1998 Kang
 D399,423 S 10/1998 Palestrant
 D405,157 S 2/1999 Hayes et al.
 5,919,365 A 7/1999 Collette
 5,922,378 A 7/1999 Kagan et al.
 5,928,504 A 7/1999 Hembre et al.
 5,976,362 A 11/1999 Wadsworth et al.
 5,993,648 A 11/1999 Hunter et al.
 6,024,012 A 2/2000 Luzenberg, Jr.
 6,123,837 A 9/2000 Wadsworth et al.
 D432,204 S 10/2000 Brady
 D438,592 S 3/2001 Gaston et al.
 6,220,490 B1 4/2001 O'Hara
 6,221,416 B1 4/2001 Nohren, Jr.
 D453,952 S 2/2002 Gaston et al.
 6,372,270 B1 4/2002 Denny
 6,409,099 B1 6/2002 Goodwin et al.

6,419,166 B1 7/2002 Brzezinski et al.
 6,482,451 B1 11/2002 Baron
 6,497,348 B2 12/2002 Forsman et al.
 D470,052 S 2/2003 Klutts
 6,517,878 B2 2/2003 Heczko
 D472,604 S 4/2003 Fritze
 6,540,070 B1 4/2003 Conwell
 6,569,329 B1 5/2003 Nohren, Jr.
 D479,466 S 9/2003 Bremner et al.
 6,651,824 B2 11/2003 Miller
 6,652,893 B2 11/2003 Berson
 D484,567 S 12/2003 Gaston et al.
 6,959,839 B2 11/2005 Roth et al.
 7,018,531 B2 3/2006 Eilers et al.
 D521,863 S 5/2006 Davis et al.
 D533,622 S 12/2006 Ross et al.
 D541,371 S 4/2007 McKay
 D542,374 S 5/2007 Green et al.
 D543,469 S 5/2007 Py et al.
 D546,113 S 7/2007 Ruoff
 2003/0019764 A1 1/2003 Baldwin et al.
 2003/0234212 A1 12/2003 Ito et al.
 2004/0129617 A1 7/2004 Tanner et al.
 2004/0161504 A1 8/2004 Daniels et al.
 2004/0262328 A1 12/2004 Nilsen
 2005/0035054 A1 2/2005 Chu
 2005/0040092 A1 2/2005 Eilers et al.
 2005/0051494 A1 3/2005 Na et al.
 2005/0098485 A1 5/2005 Boyd et al.
 2005/0127101 A1 6/2005 Roth et al.
 2005/0133420 A1 6/2005 Rinker et al.
 2005/0258082 A1 11/2005 Lund et al.
 2006/0006107 A1 1/2006 Olson et al.
 2006/0021919 A1 2/2006 Olson et al.
 2006/0032795 A1 2/2006 Warren et al.
 2006/0191824 A1 8/2006 Arett et al.
 2006/0207920 A1 9/2006 Lackey et al.
 2006/0266683 A1 11/2006 Sung

FOREIGN PATENT DOCUMENTS

JP 01027458 A 1/1989
 JP 08113295 A 7/1996
 WO WO 91/17949 11/1991
 WO WO 2004/013047 A2 8/2003
 WO WO 2005/000079 A1 6/2004

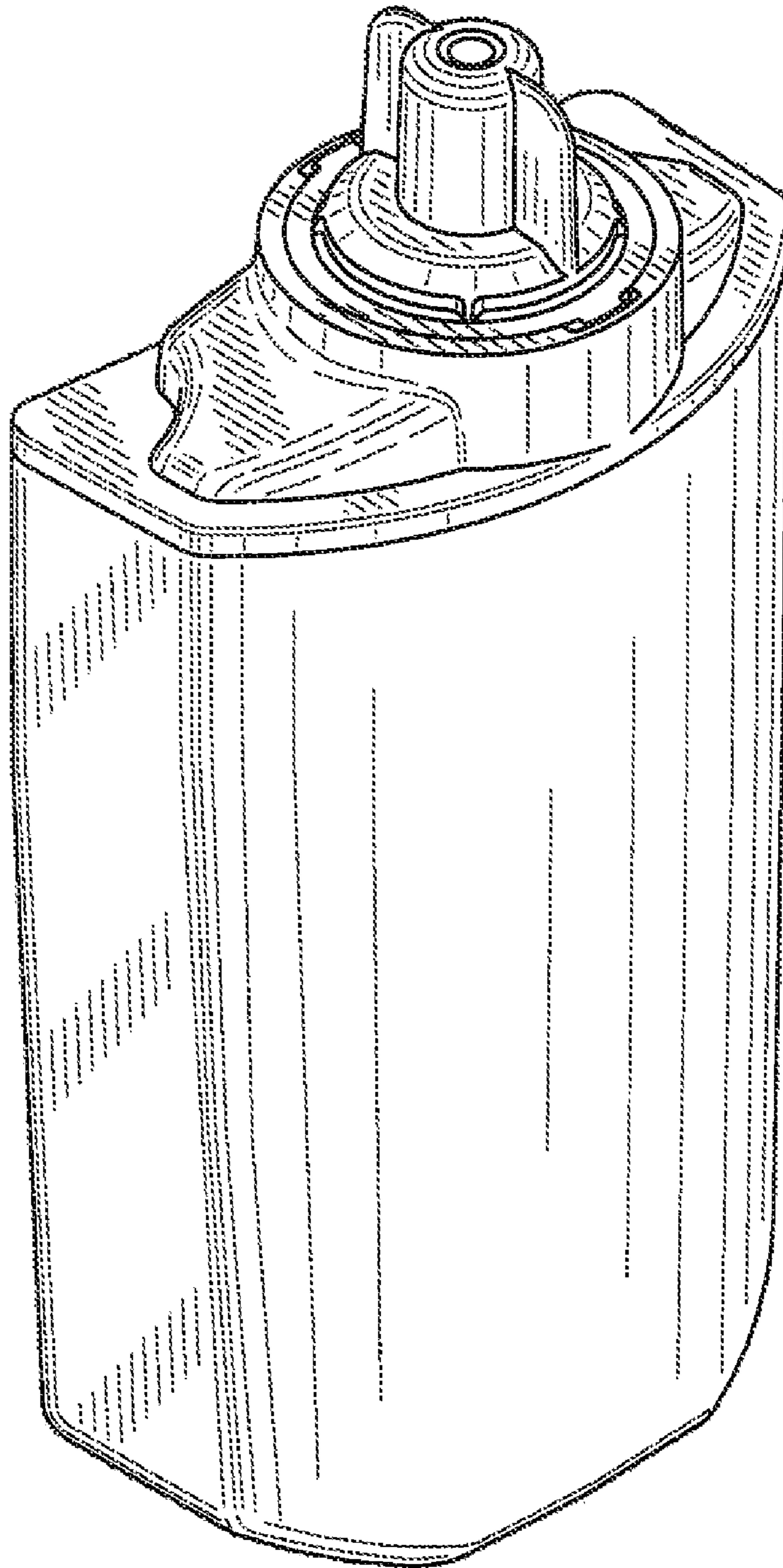


FIG. 1

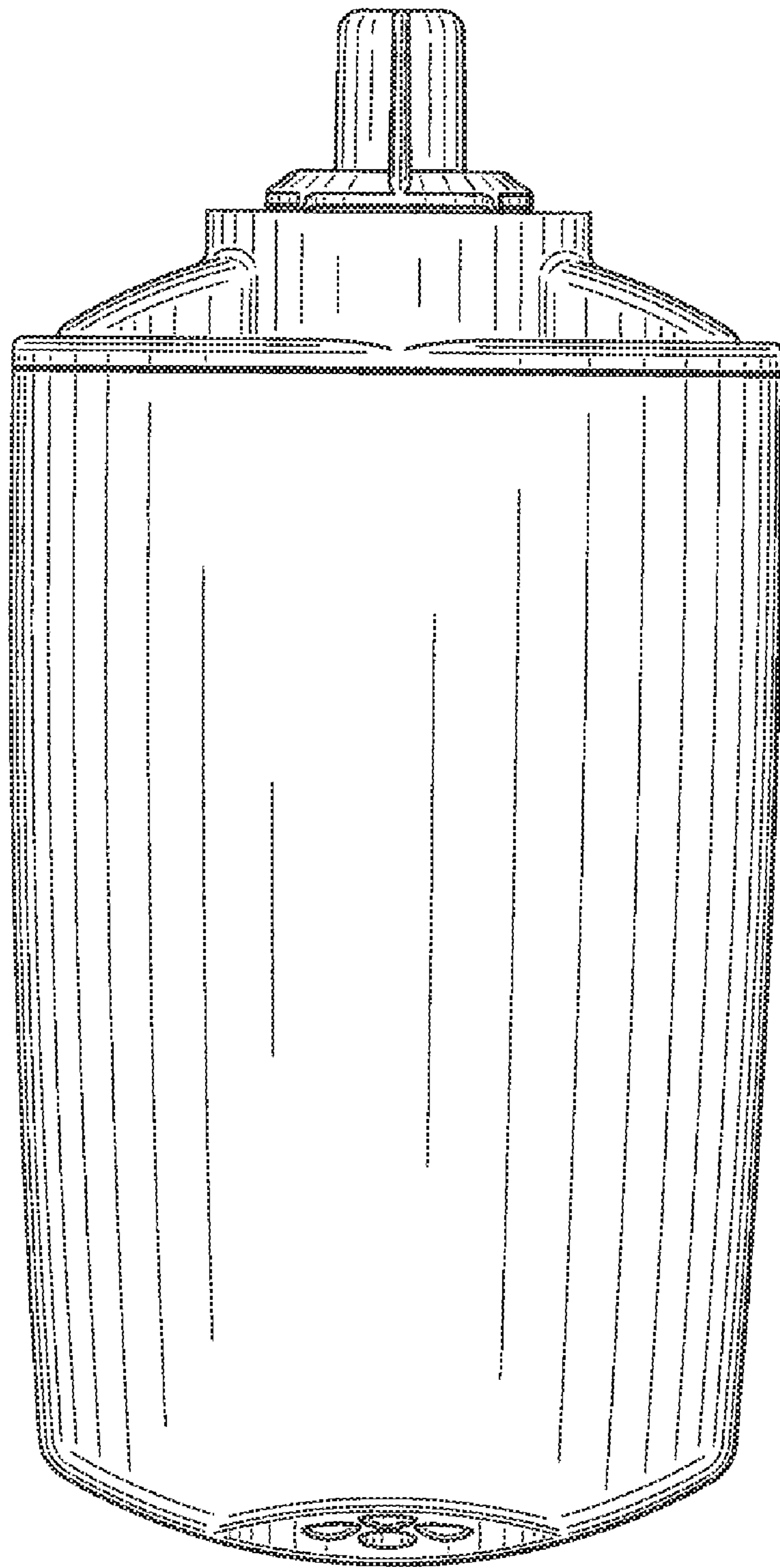


FIG. 2

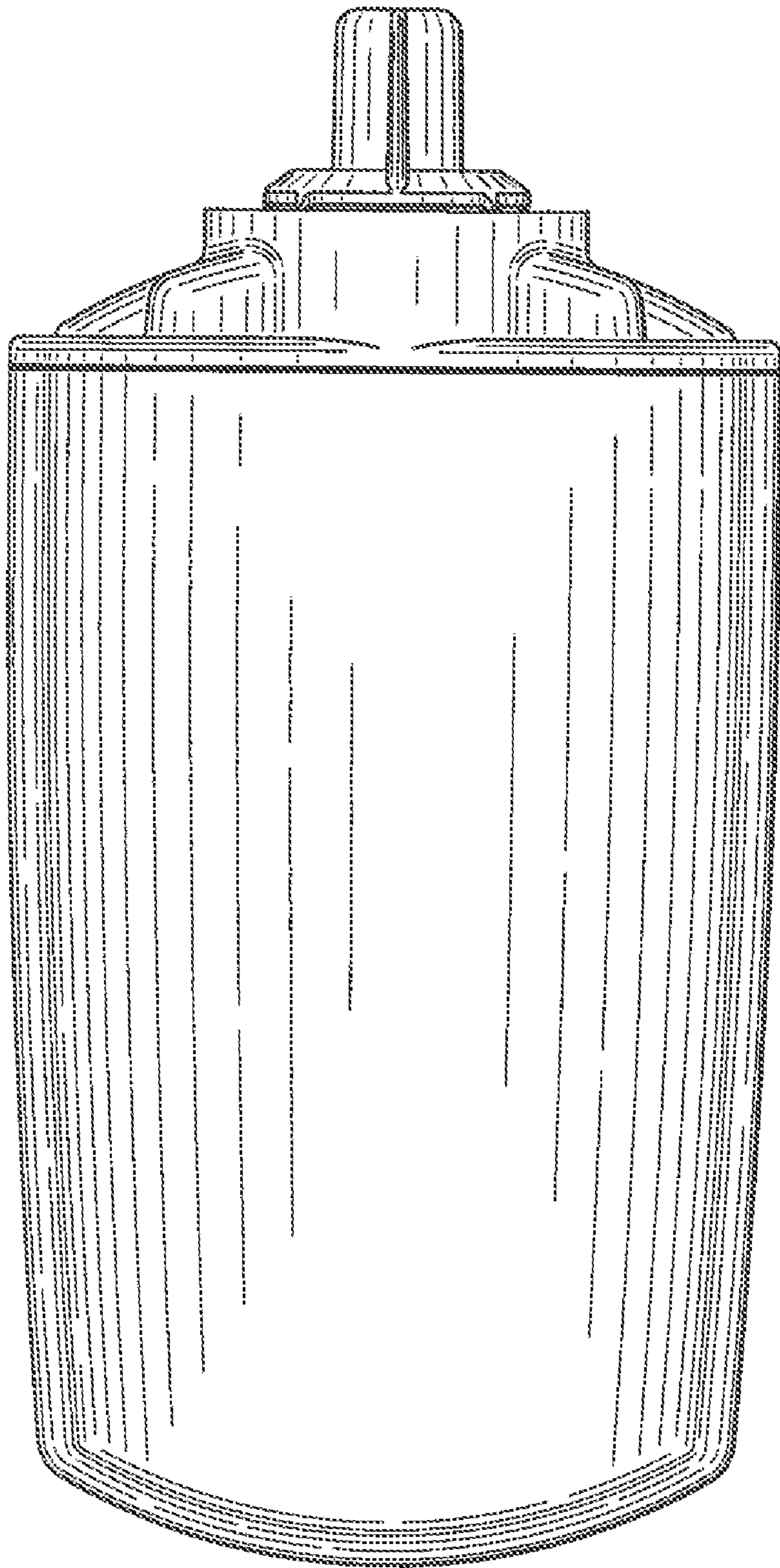


FIG. 3

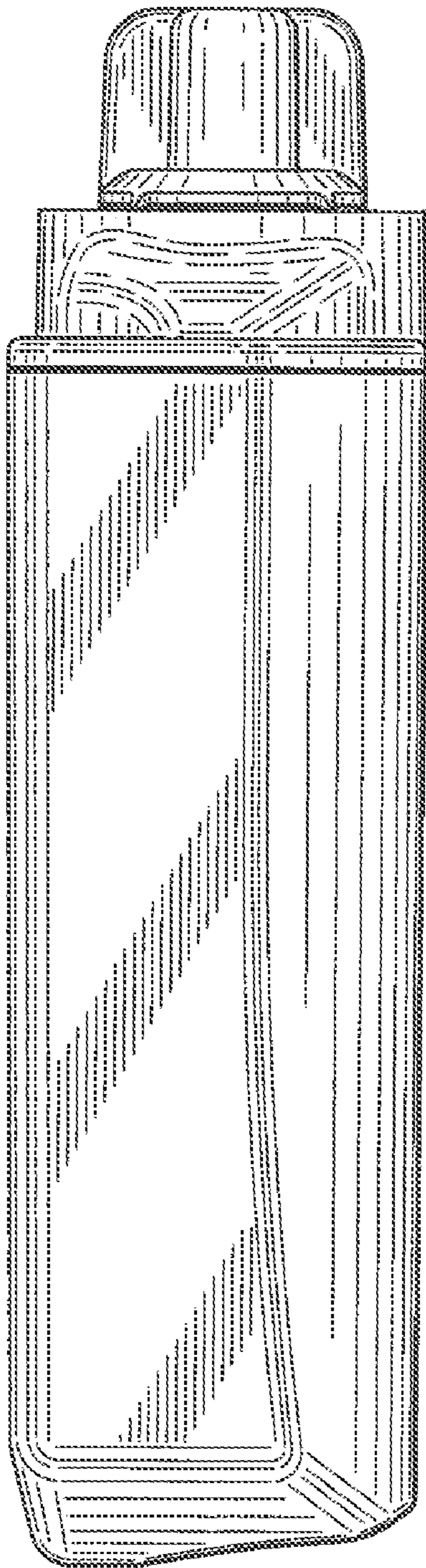


FIG. 4

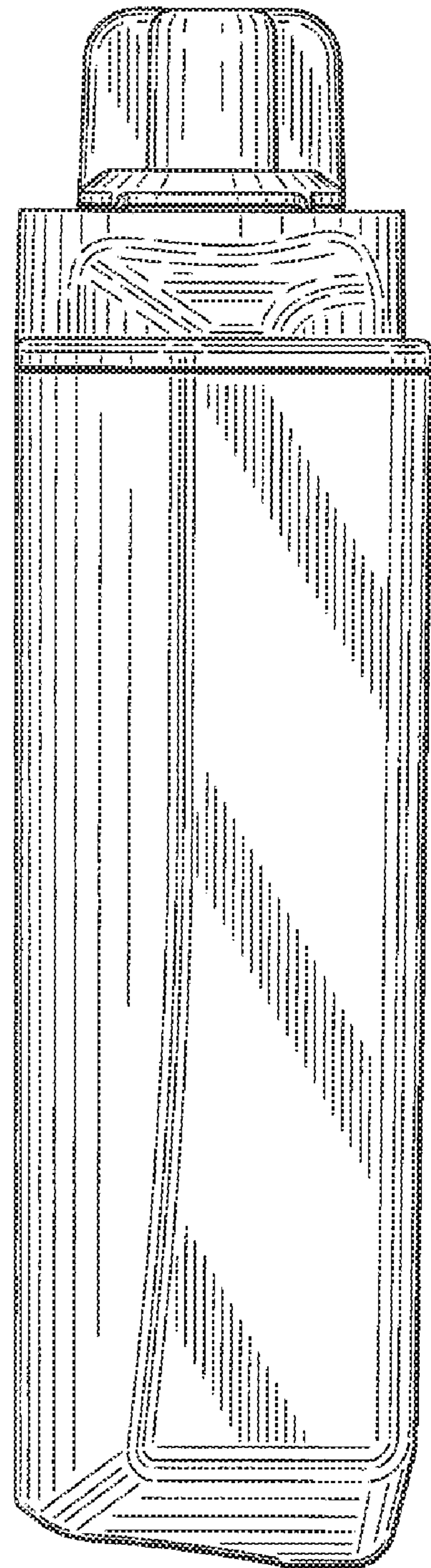


FIG. 5

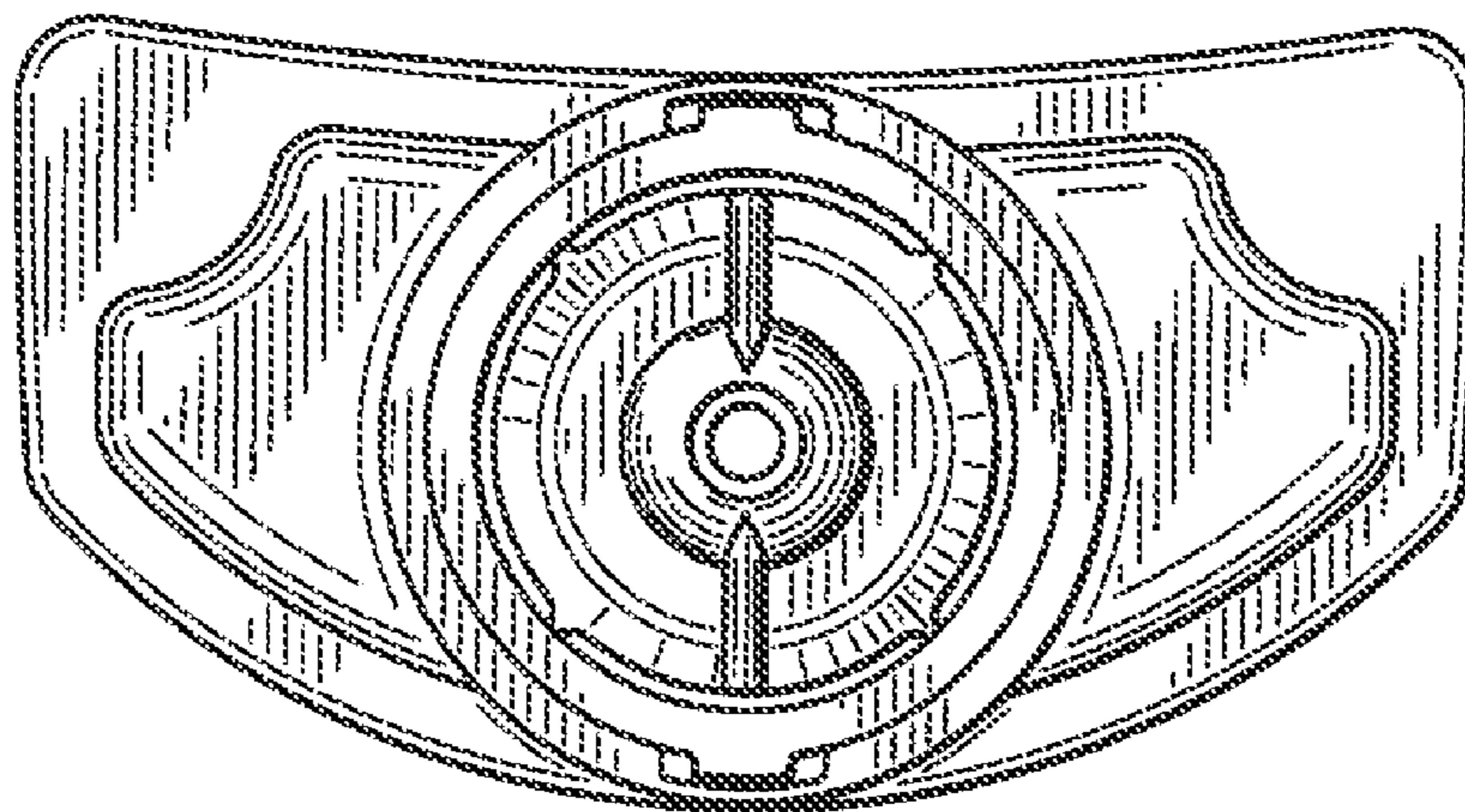


FIG. 6

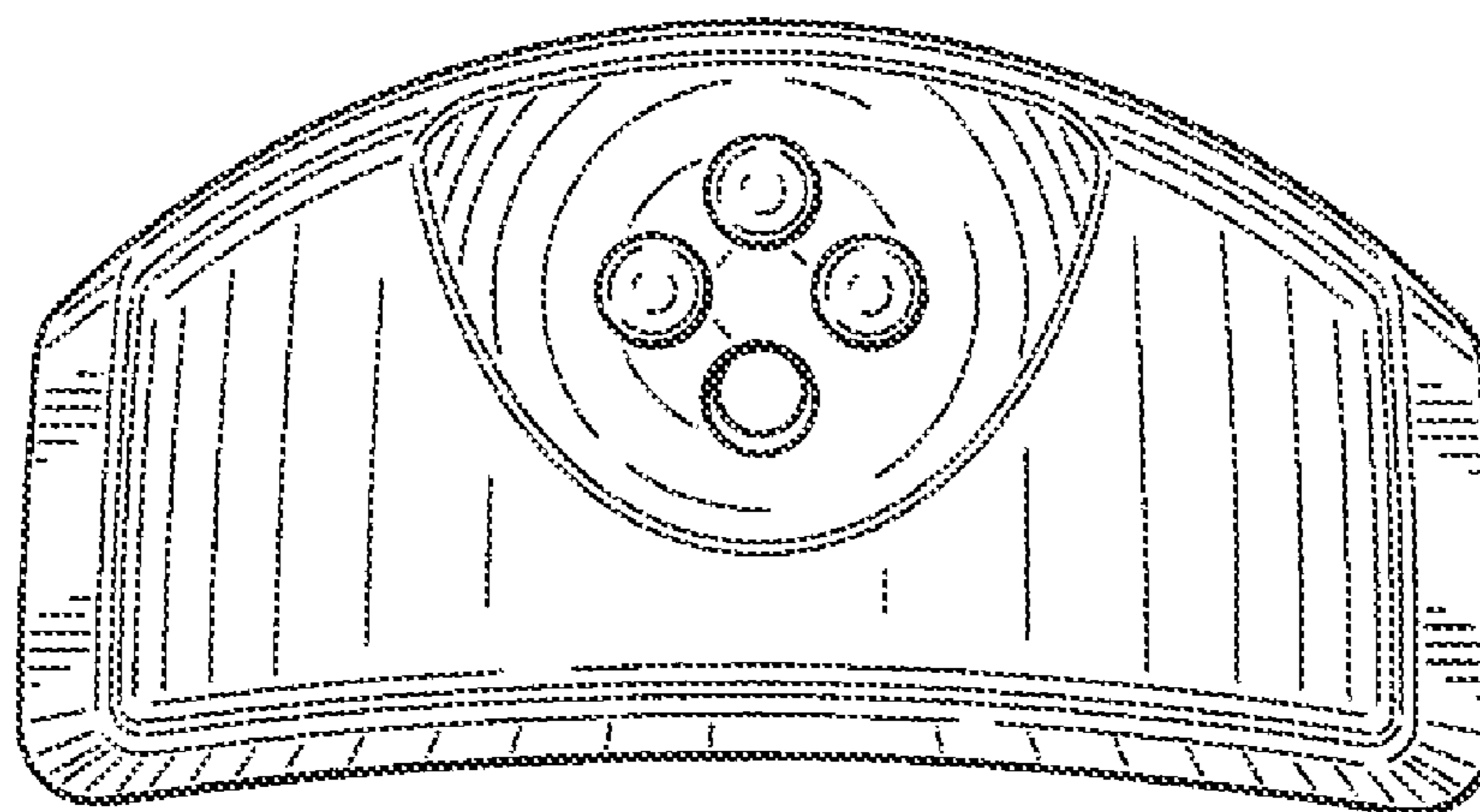


FIG. 7