



US00D636455S

(12) **United States Design Patent**
Hatfield

(10) **Patent No.:** **US D636,455 S**

(45) **Date of Patent:** **** Apr. 19, 2011**

(54) **FISH HOOK**

(76) Inventor: **Marcus Craig Hatfield**, Fairmont, WV
(US)

(**) Term: **14 Years**

(21) Appl. No.: **29/366,328**

(22) Filed: **Jul. 22, 2010**

(51) **LOC (9) Cl.** **22-05**

(52) **U.S. Cl.** **D22/144**

(58) **Field of Classification Search** D22/144-145;
43/44.83, 44.82, 43.16, 43.2, 43.4, 42.7,
43/43.6

See application file for complete search history.

(56) **References Cited**

U.S. PATENT DOCUMENTS

794,695	A	7/1905	Bagnall	
1,497,710	A	6/1924	Cole	
1,974,381	A	8/1934	Swanson et al.	
2,514,527	A *	7/1950	Verhota	43/44.82
2,735,210	A *	2/1956	Hinkal	43/43.6
2,768,468	A	10/1956	Kibler et al.	
2,775,057	A	12/1956	Ludgate	
3,091,885	A	6/1963	Ulsh	
3,518,784	A	7/1970	Kling	
3,541,720	A	11/1970	Buffet	
3,648,399	A	3/1972	Lloyd	
3,778,918	A	12/1973	Emory et al.	
4,696,121	A	9/1987	Hernden	
5,351,434	A	10/1994	Krenn	
D371,594	S *	7/1996	Drapak et al.	D22/144

D451,579	S	12/2001	Yong-Set	
6,748,694	B1	11/2004	Darling	
D501,039	S	1/2005	Duncan	
D505,480	S *	5/2005	Mathieu	D22/144
D541,900	S *	5/2007	Scott	D22/144
D544,067	S *	6/2007	Wichem	D22/144
D600,316	S *	9/2009	Lee	D22/144
D609,304	S	2/2010	Hatfield	
D616,060	S *	5/2010	Patrick	D22/144
D617,412	S	6/2010	Hatfield	
7,735,256	B2	6/2010	Hatfield	

* cited by examiner

Primary Examiner — Catherine R Oliver

(74) *Attorney, Agent, or Firm* — Christopher Wood; Daniel Eisenberg; Premier Law Group, PLLC

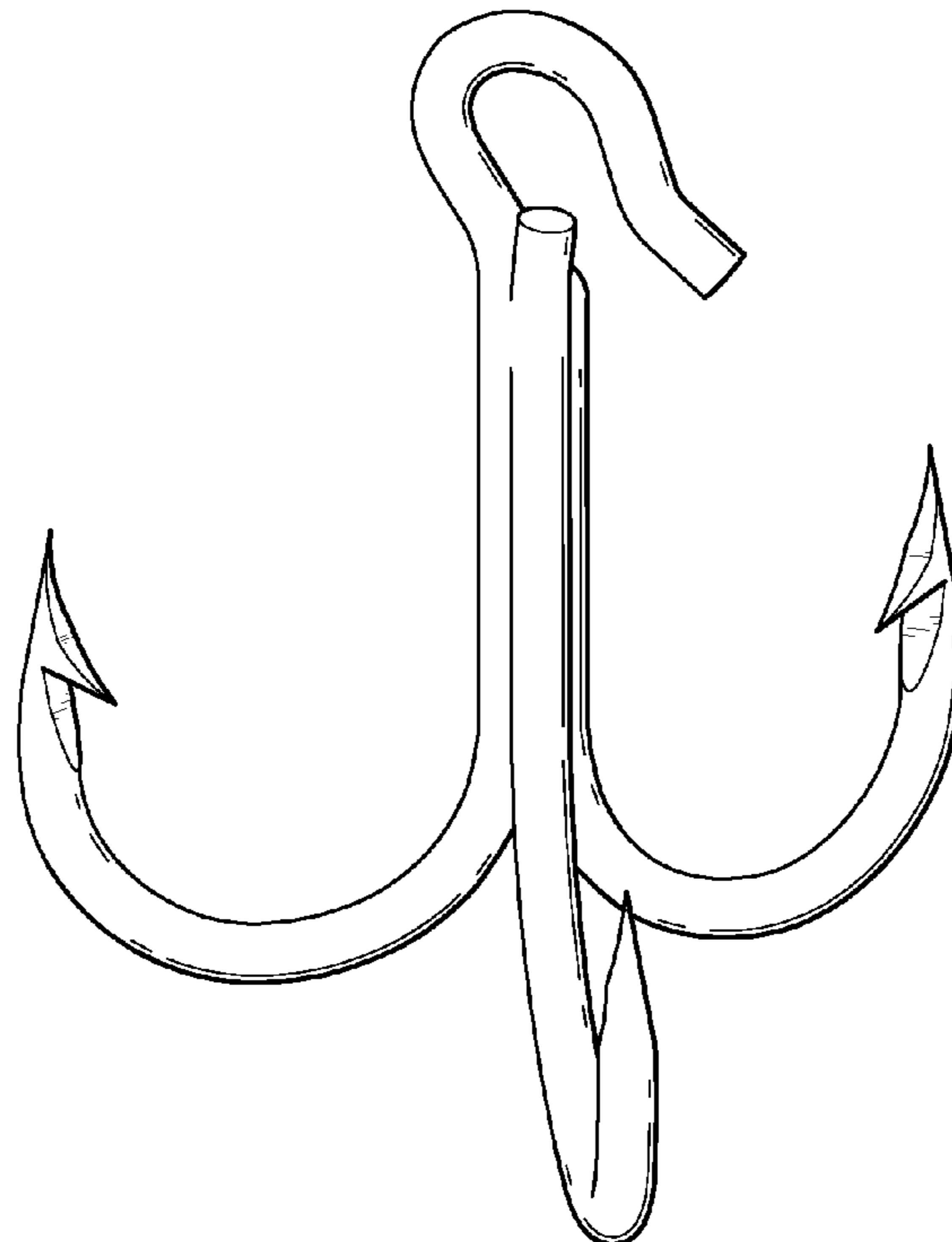
(57) **CLAIM**

The ornamental design for a fish hook, as shown and described.

DESCRIPTION

FIG. 1 is a perspective view of a fish hook showing my new design;
FIG. 2 is a right side view thereof;
FIG. 3 is a left side view thereof;
FIG. 4 is a front view thereof;
FIG. 5 is a rear view thereof;
FIG. 6 is a top view thereof; and,
FIG. 7 is a bottom view thereof.

1 Claim, 7 Drawing Sheets



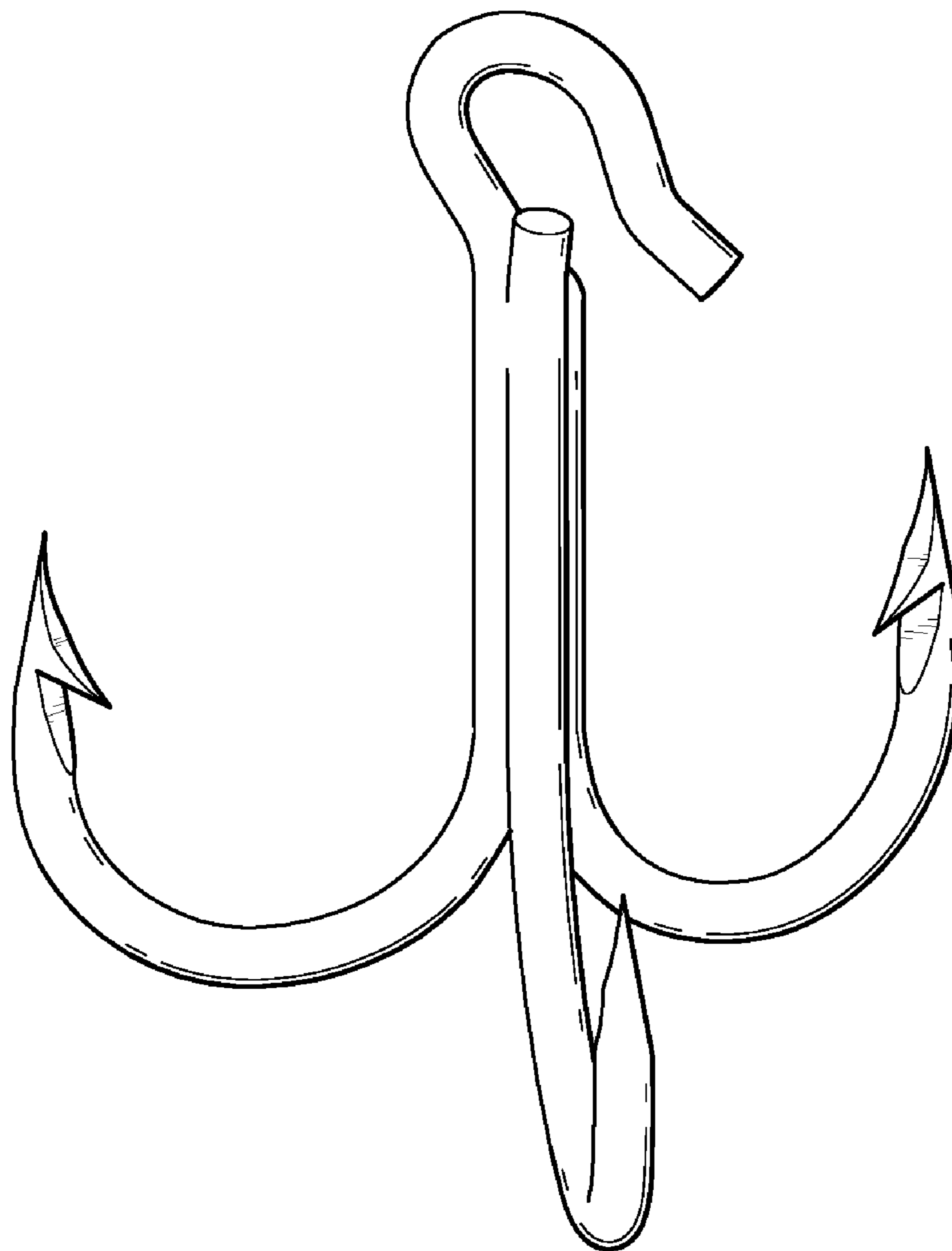


FIG. 1

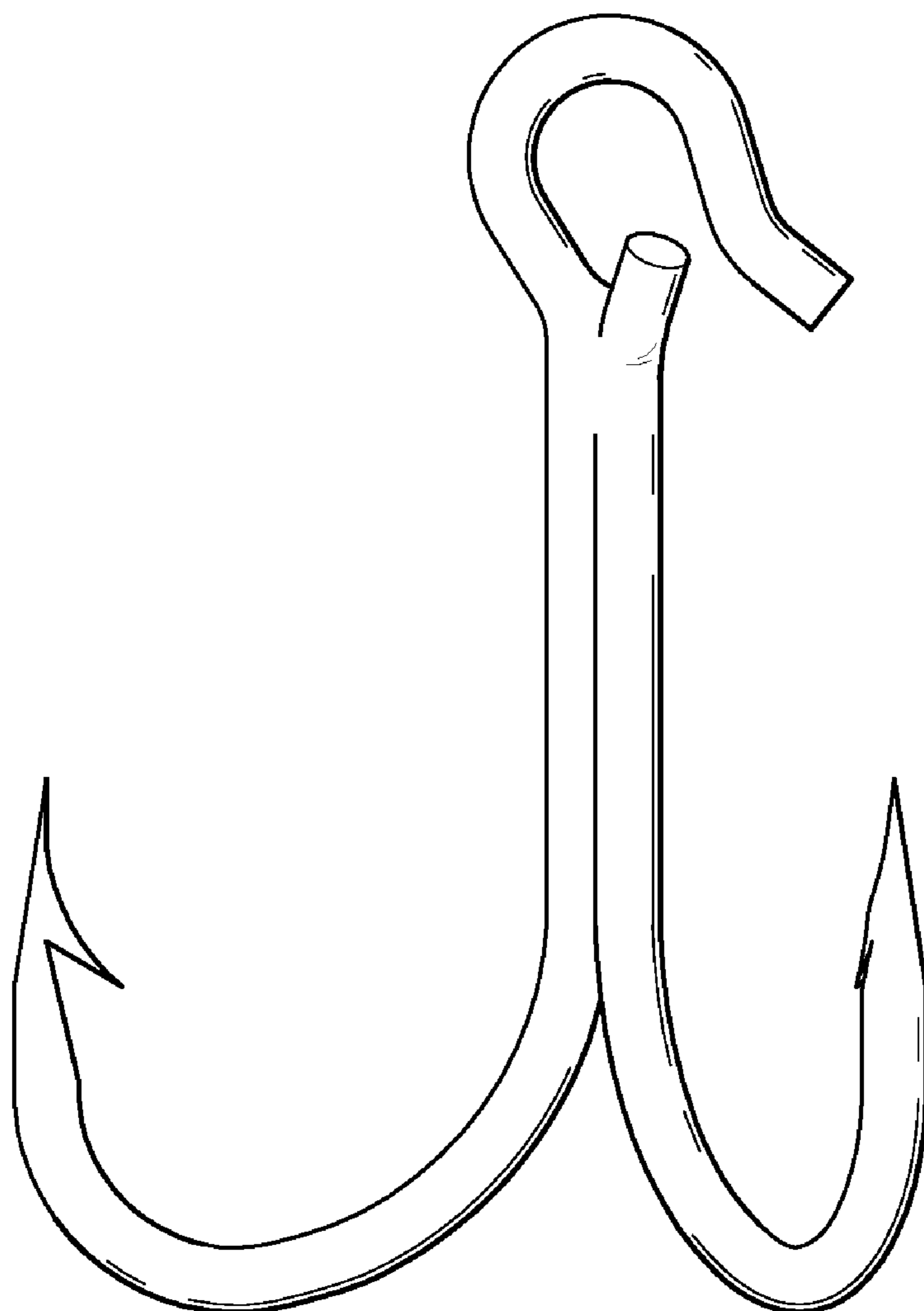


FIG. 2

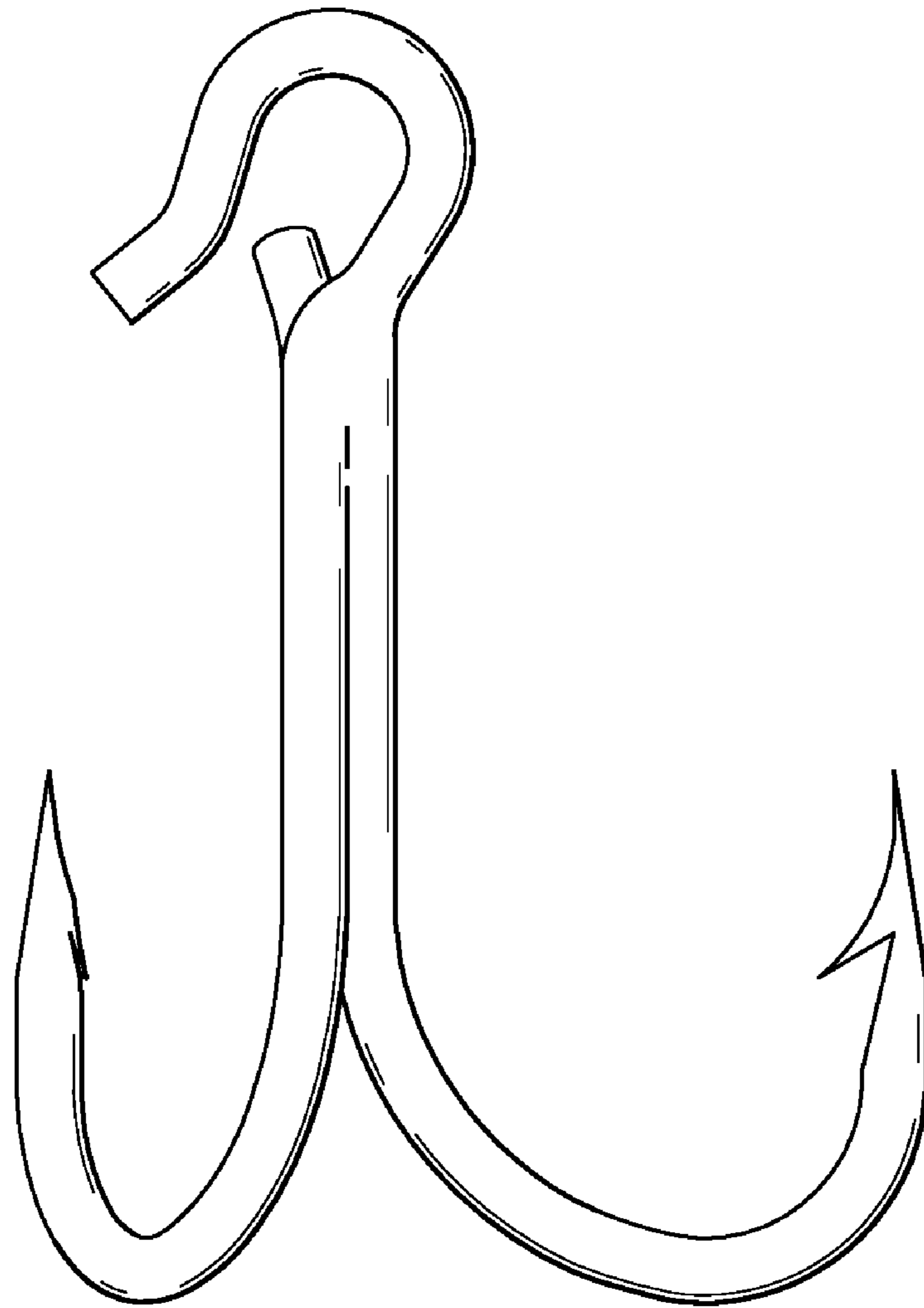


FIG. 3

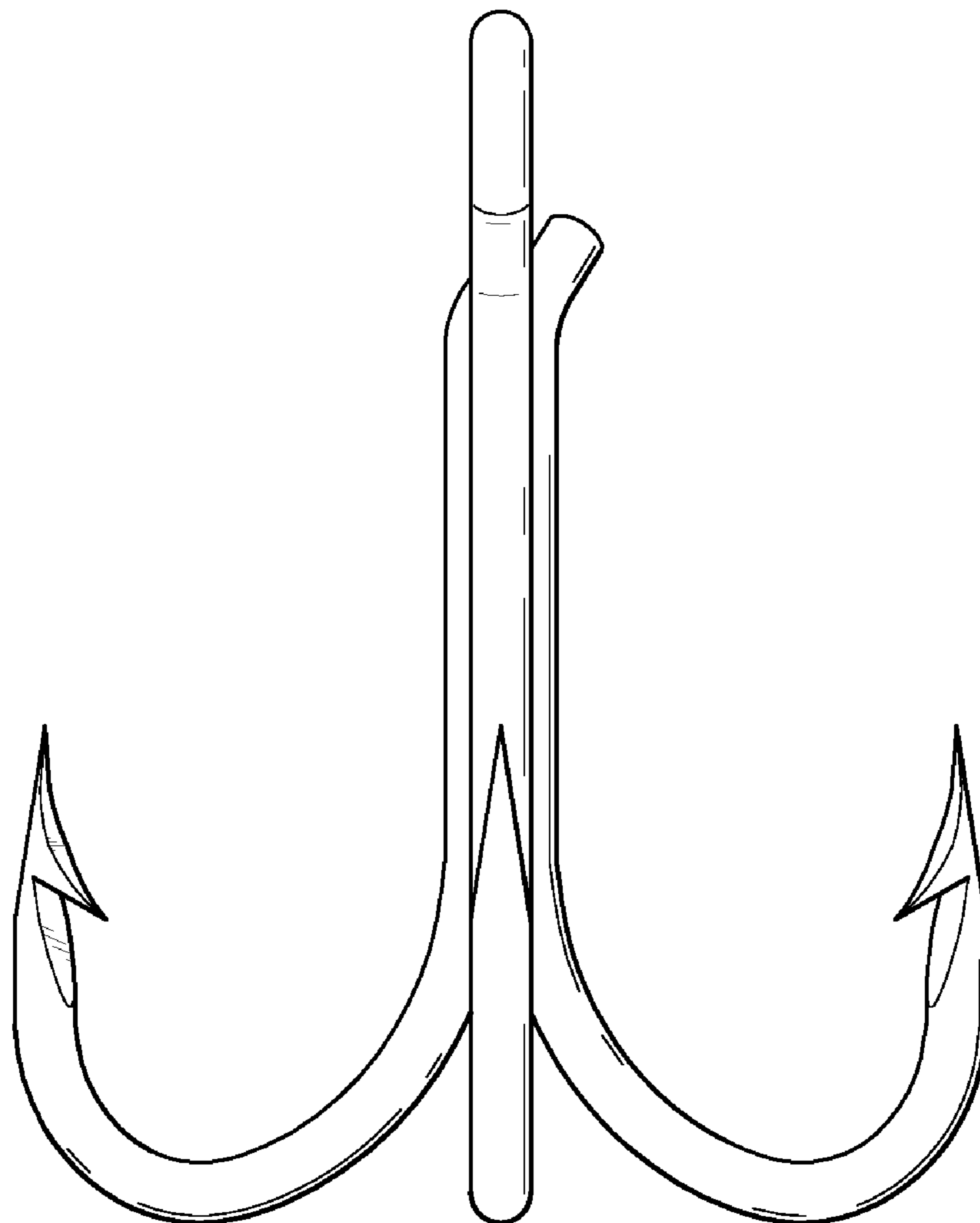


FIG. 4

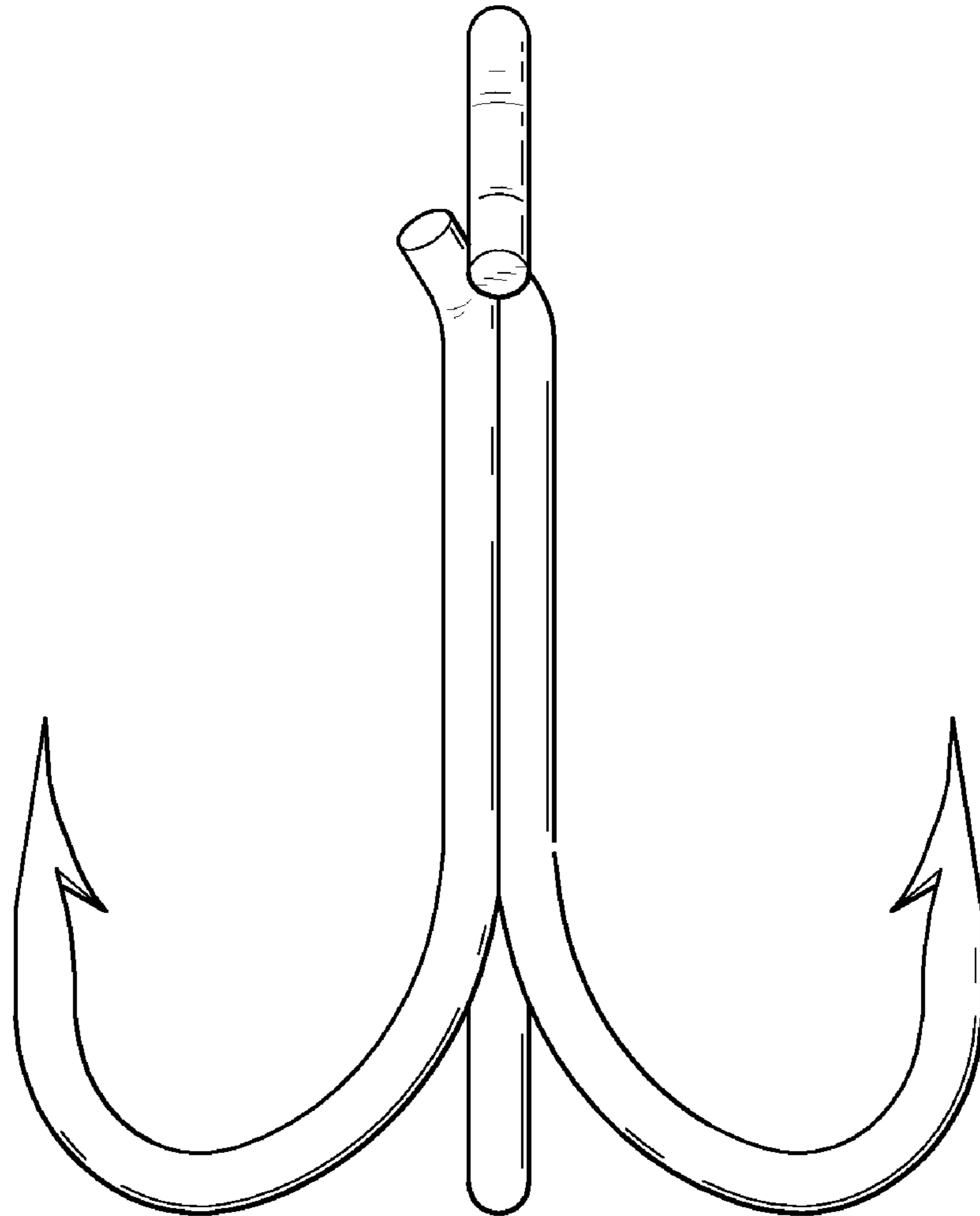


FIG. 5

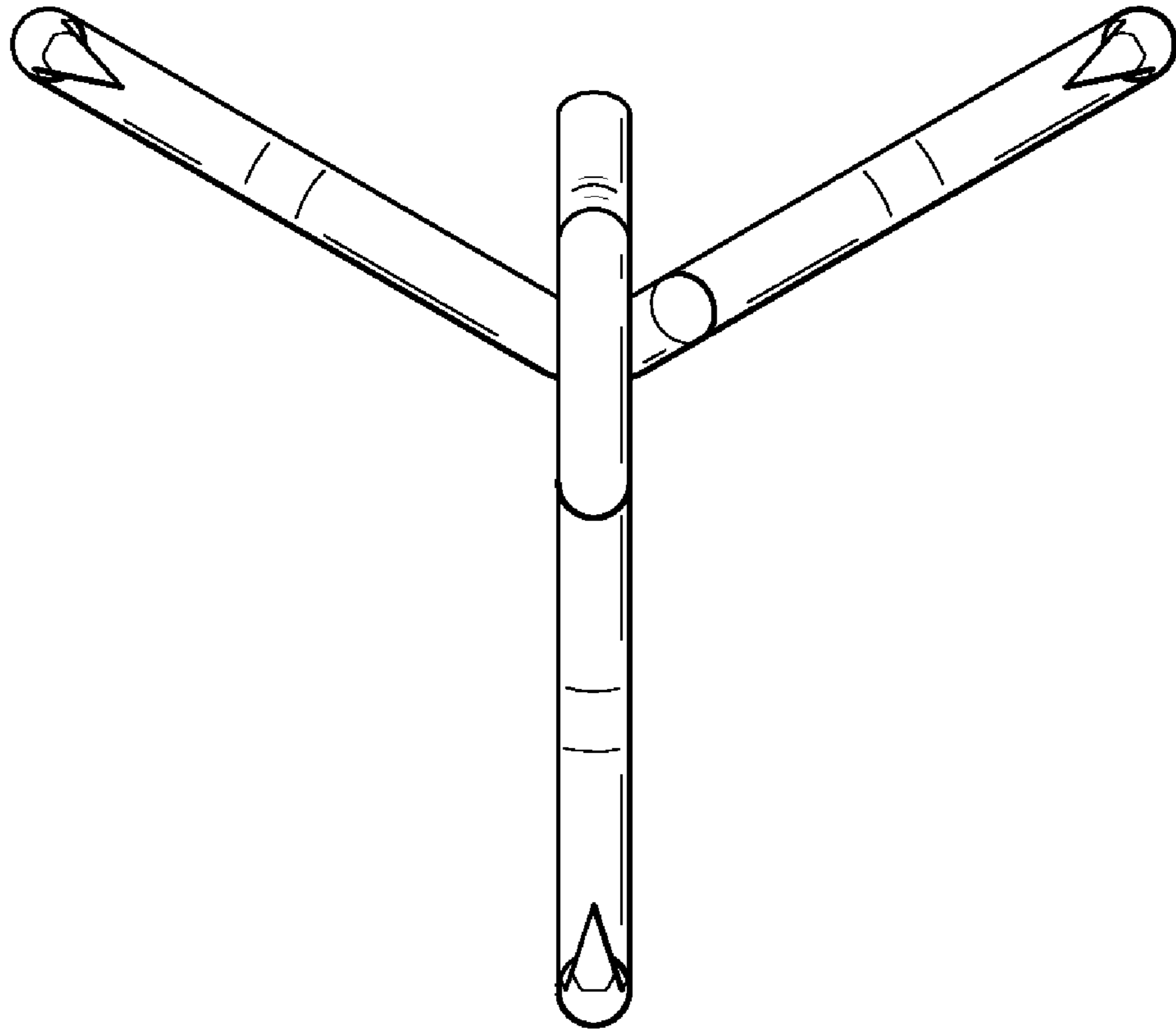


FIG. 6

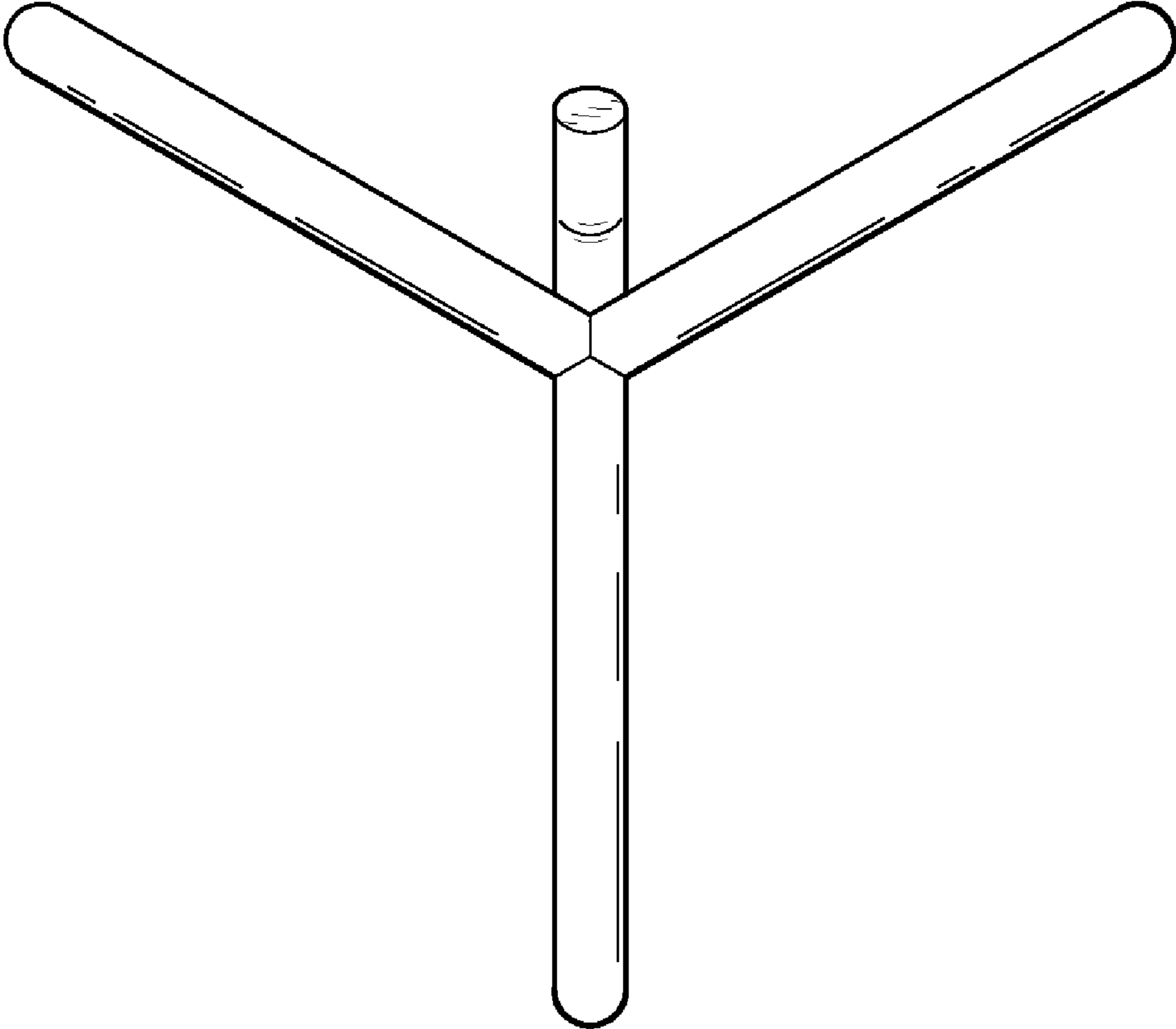


FIG. 7