



US00D636454S

(12) **United States Design Patent**
Larson et al.

(10) **Patent No.:** **US D636,454 S**

(45) **Date of Patent:** **** Apr. 19, 2011**

(54) **FIREARM**

(75) Inventors: **Mark Larson**, Colona, IL (US); **Lester Larson, Jr.**, Colona, IL (US)

(73) Assignee: **Rock River Arms, Inc.**, Colona, IL (US)

(**) Term: **14 Years**

(21) Appl. No.: **29/361,187**

(22) Filed: **May 6, 2010**

(51) **LOC (9) Cl.** **22-01**

(52) **U.S. Cl.** **D22/108**

(58) **Field of Classification Search** D22/100,
D22/101, 103, 104, 108, 199; D21/572,
D21/573; 42/51, 71.01, 75.01, 75.02, 90,
42/94, 134, 136, 139, 125, 72, 111; 362/110;
89/40.06, 41.19, 37.04, 33.04, 191.01, 200-204;
124/67, 66, 72, 74
See application file for complete search history.

(56) **References Cited**

U.S. PATENT DOCUMENTS

| | | | | |
|--------------|------|---------|----------------|-----------|
| 3,777,381 | A * | 12/1973 | Moller et al. | 42/143 |
| 4,523,509 | A * | 6/1985 | Thevis et al. | 89/129.02 |
| 5,448,940 | A | 9/1995 | Schuetz et al. | |
| 6,508,027 | B1 * | 1/2003 | Kim | 42/124 |
| 7,685,758 | B2 * | 3/2010 | Romer | 42/124 |
| 2008/0187888 | A1 * | 8/2008 | Jones et al. | 434/21 |

FOREIGN PATENT DOCUMENTS

DE 3130562 A1 * 2/1983

OTHER PUBLICATIONS

Rock River Arms, Inc., 2010 Retail Catalog, US.

* cited by examiner

Primary Examiner — T. Chase Nelson

Assistant Examiner — Michael A Pratt

(74) *Attorney, Agent, or Firm* — Banner & Witcoff, Ltd.

(57) **CLAIM**

The ornamental design for a firearm, as shown and described.

DESCRIPTION

FIG. 1 is a top, front, left perspective view of a firearm showing our new design;

FIG. 2 is an enlarged fragmentary top, front, left perspective view thereof;

FIG. 3 is a fragmentary front view thereof;

FIG. 4 is a cross-sectional view thereof along the line of 4—4 of FIG. 1;

FIG. 5 is an enlarged fragmentary top view thereof;

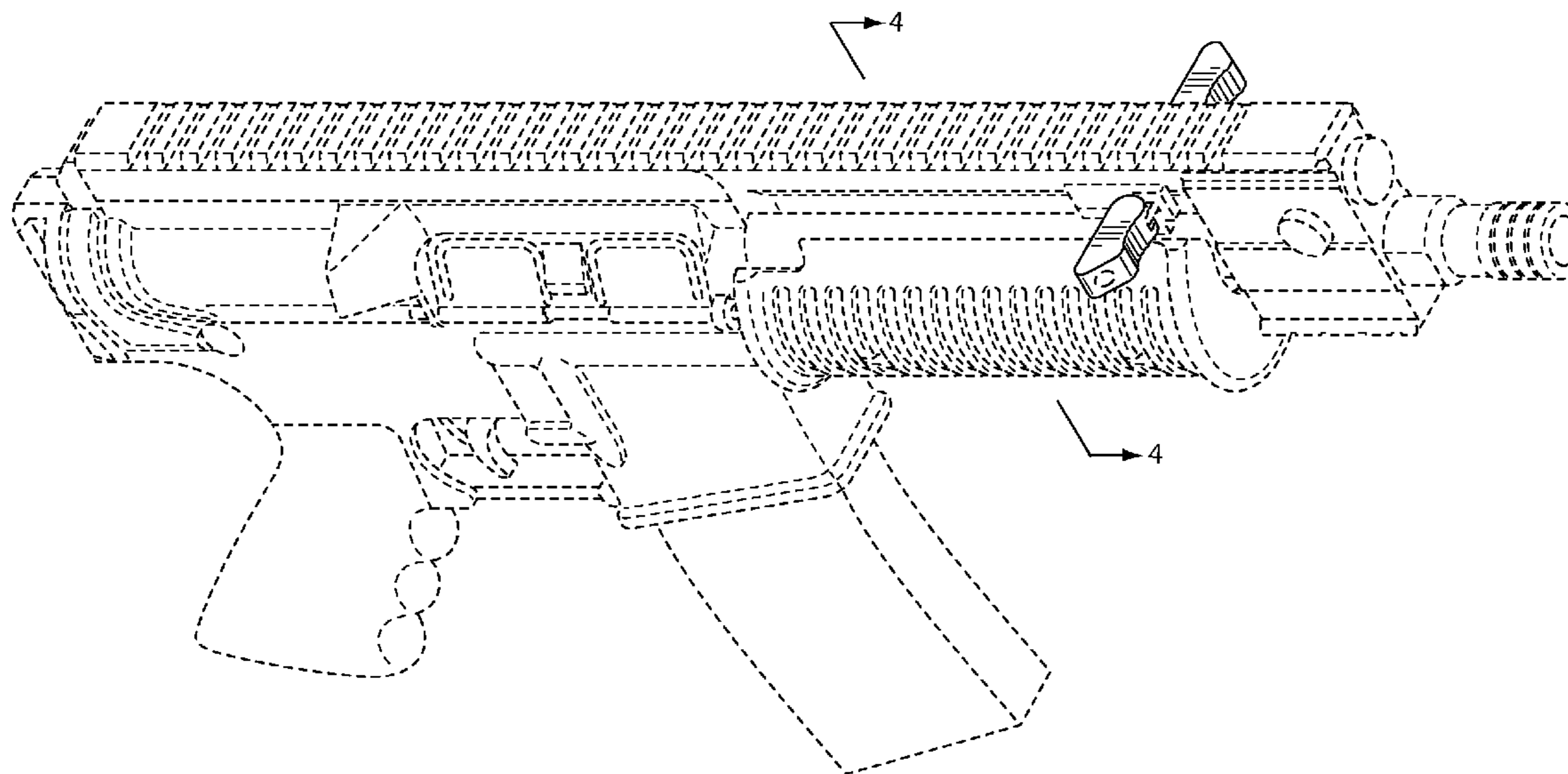
FIG. 6 is an enlarged fragmentary bottom view thereof;

FIG. 7 is an enlarged fragmentary left view thereof; and,

FIG. 8 is an enlarged fragmentary right view thereof.

The uneven-length broken lines immediately adjacent to the solid line disclosure represent the unclaimed boundaries of the claimed design. The even-length broken lines showing the remainder of the firearm are for illustrative purposes only and form no part of the claimed design.

1 Claim, 5 Drawing Sheets



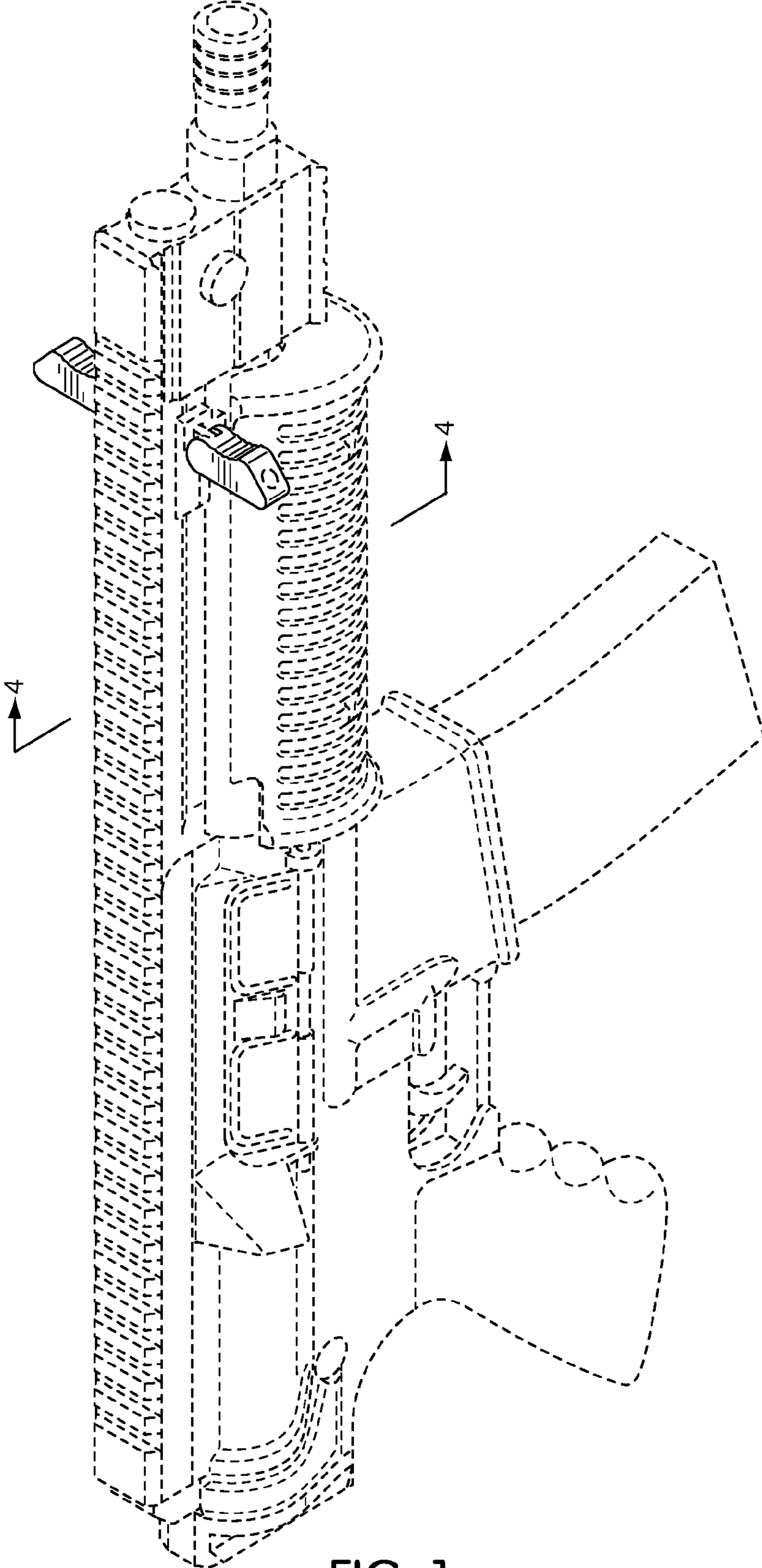


FIG. 1

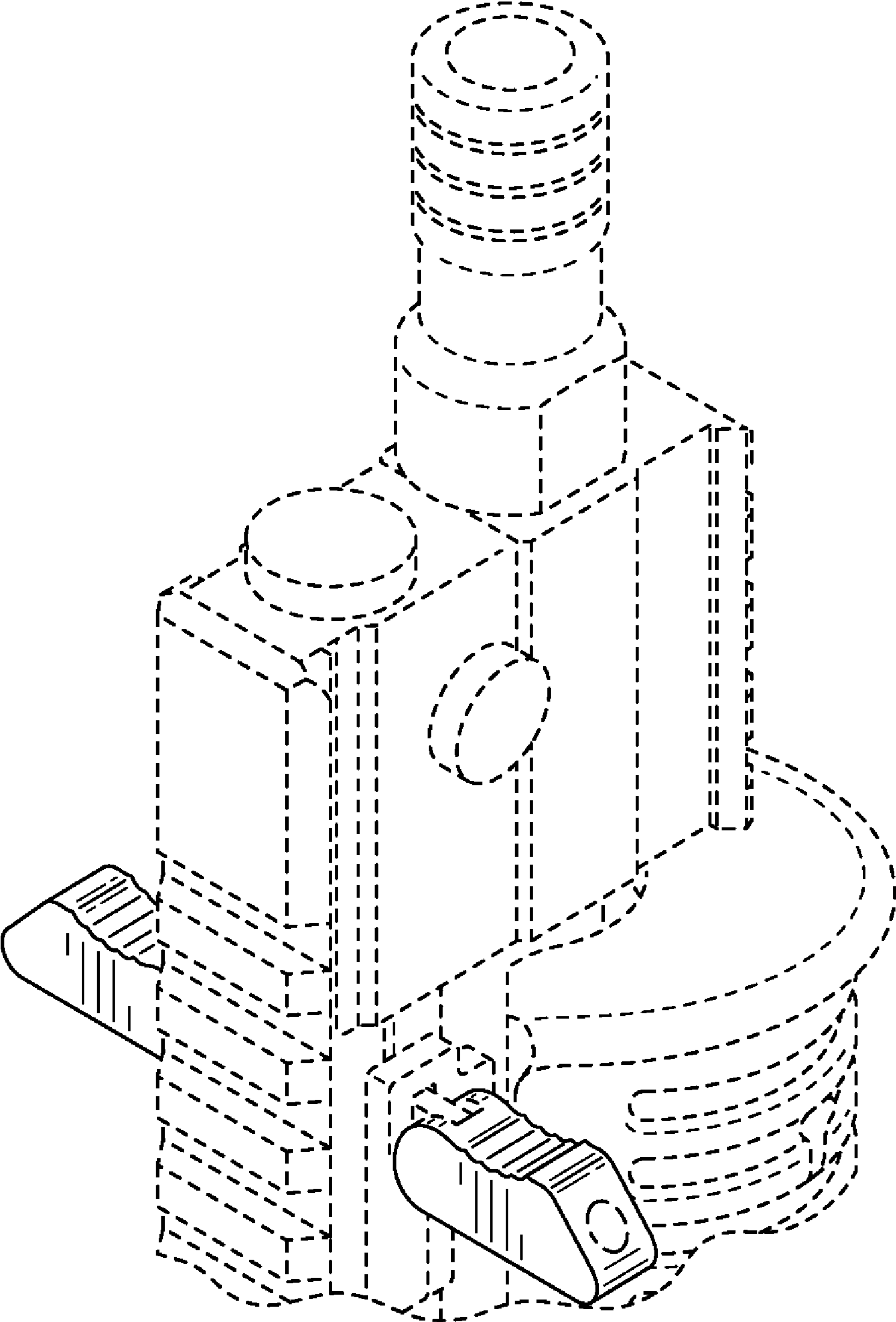


FIG. 2

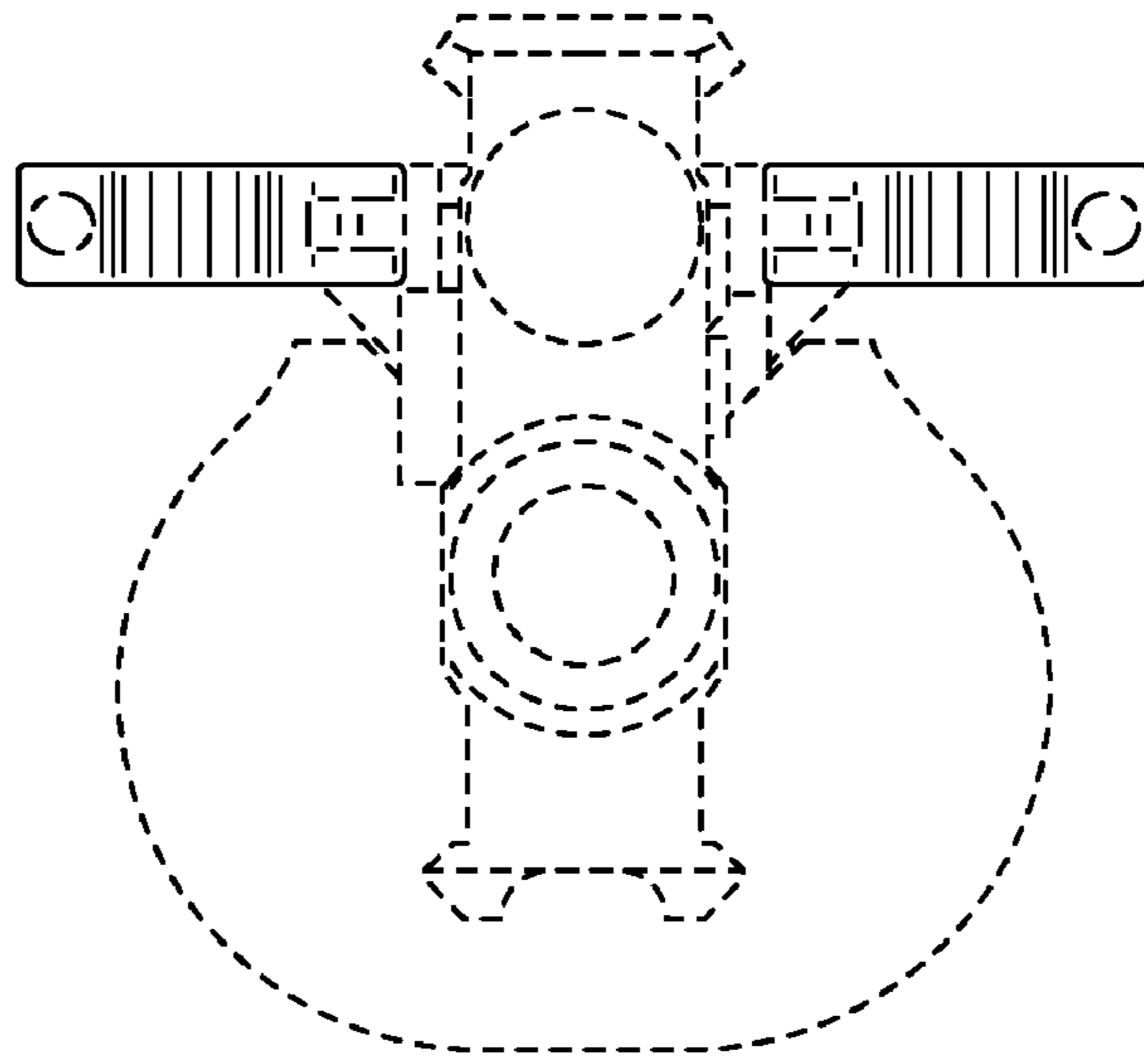


FIG. 3

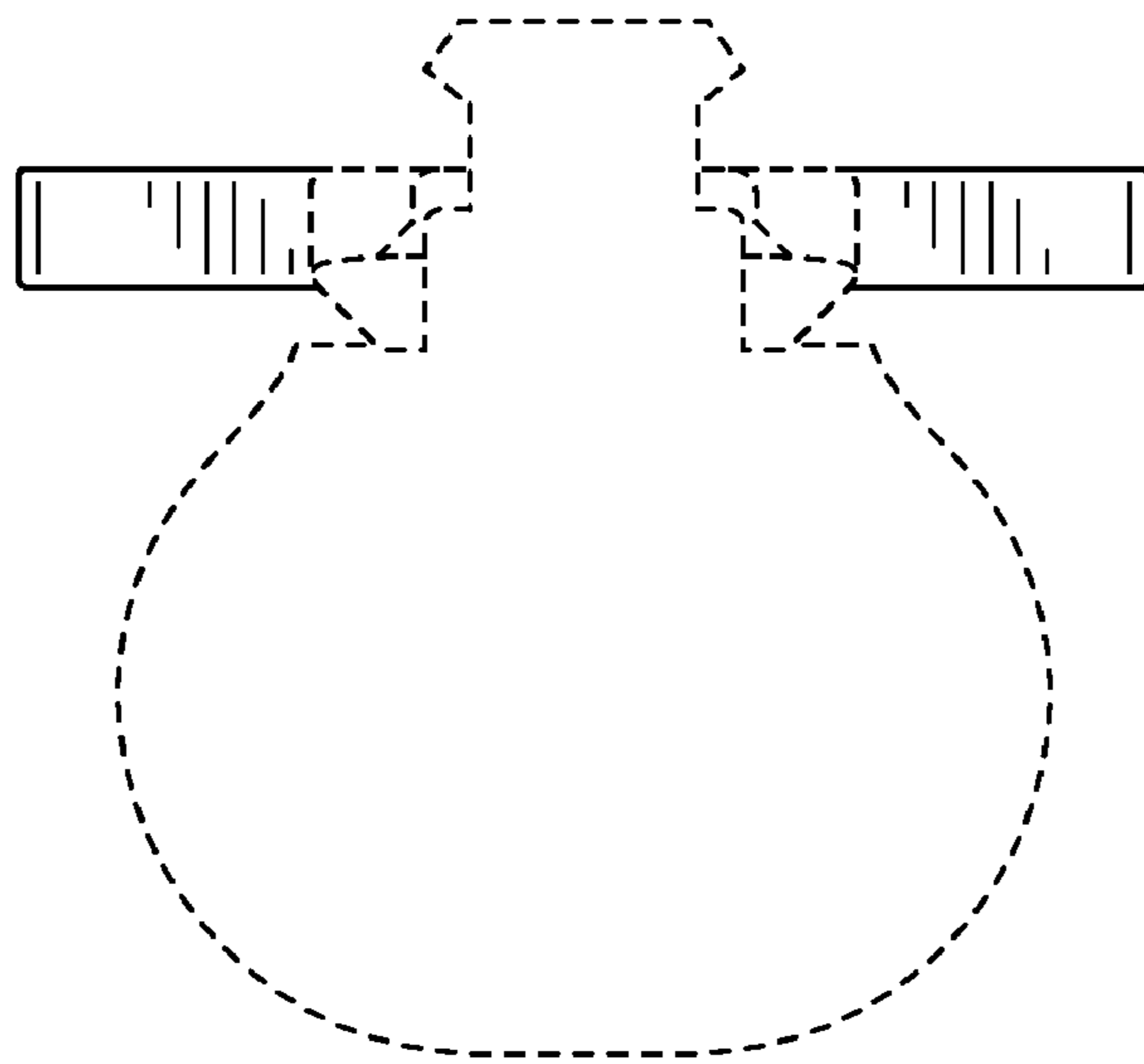


FIG. 4

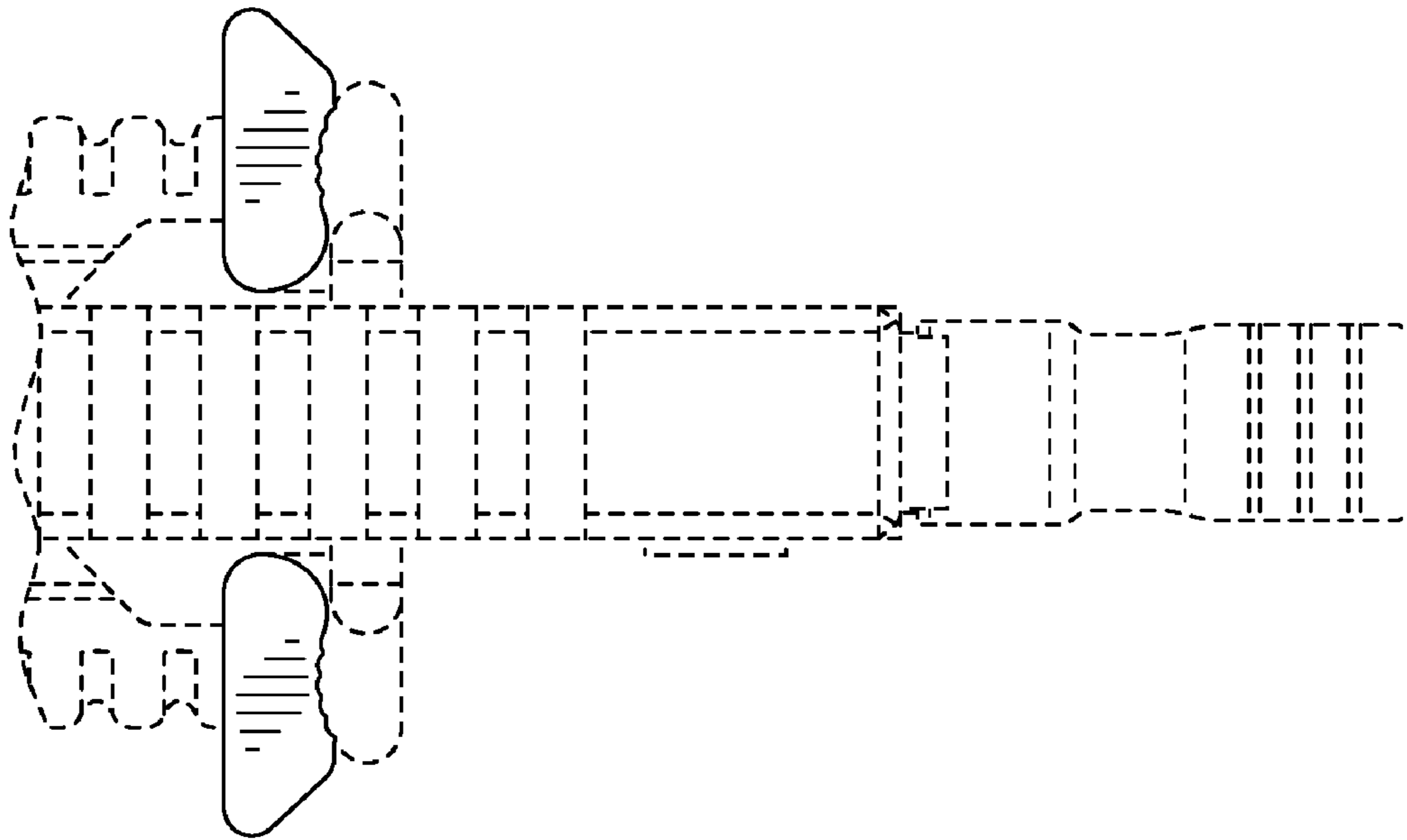


FIG. 5

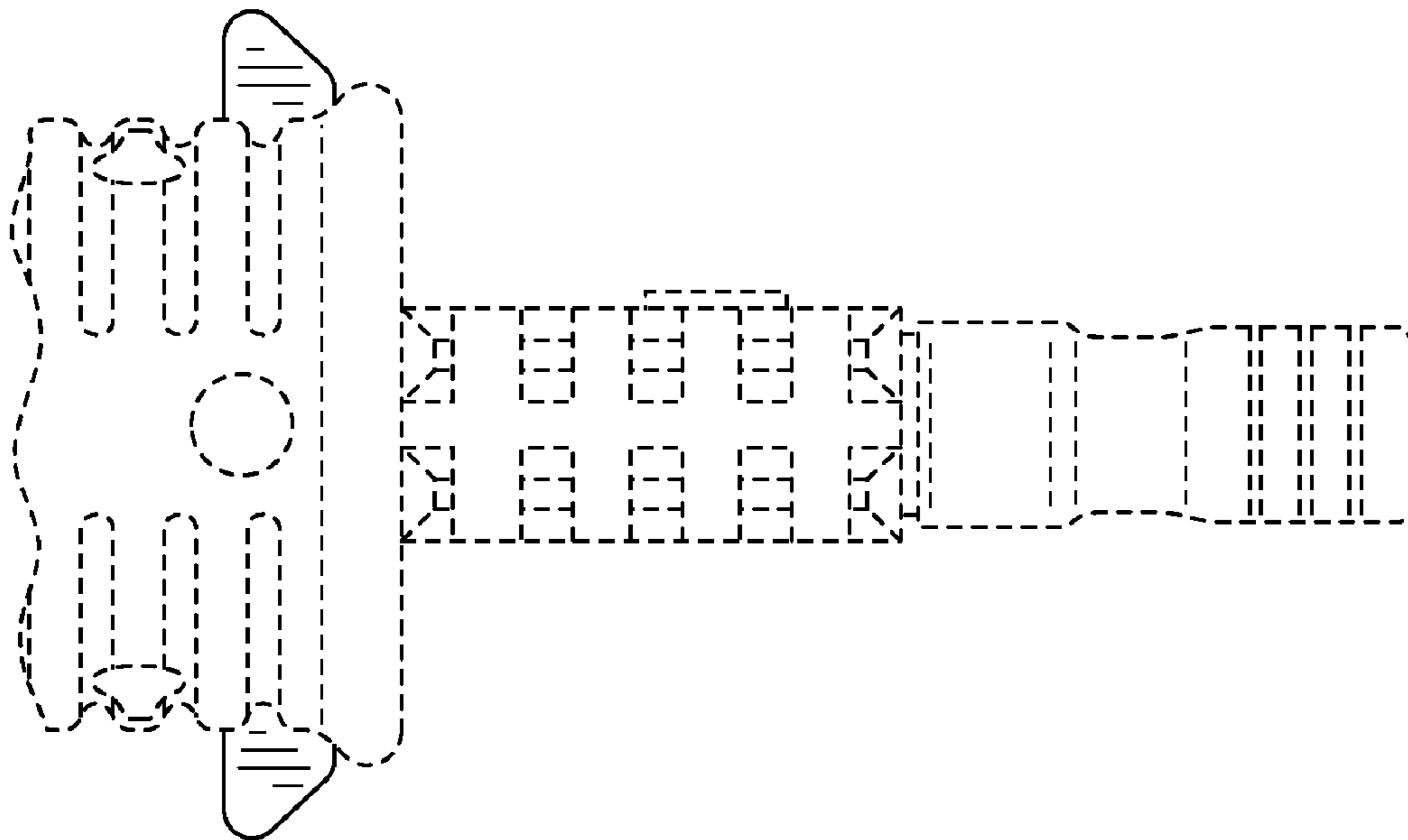


FIG. 6

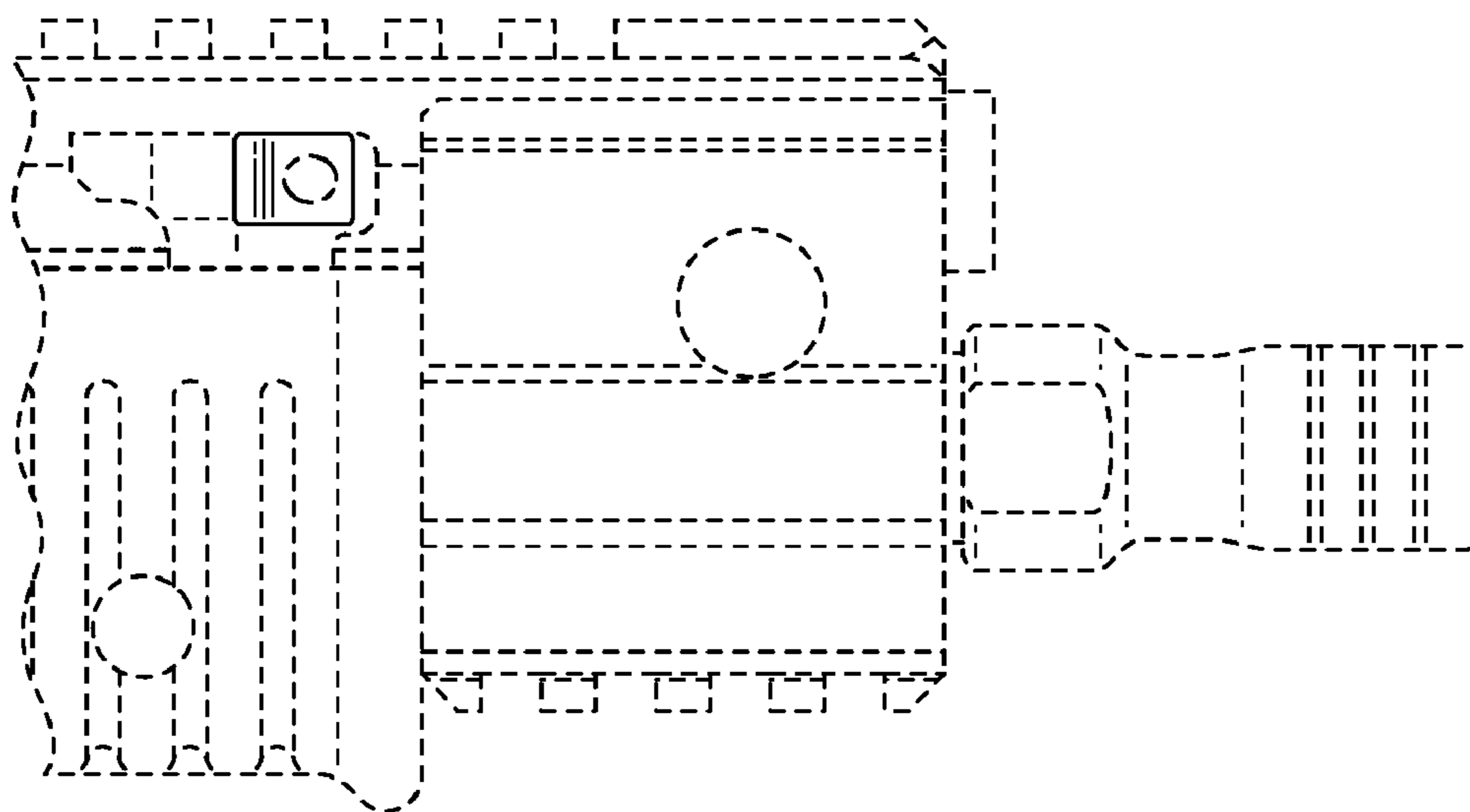


FIG. 7

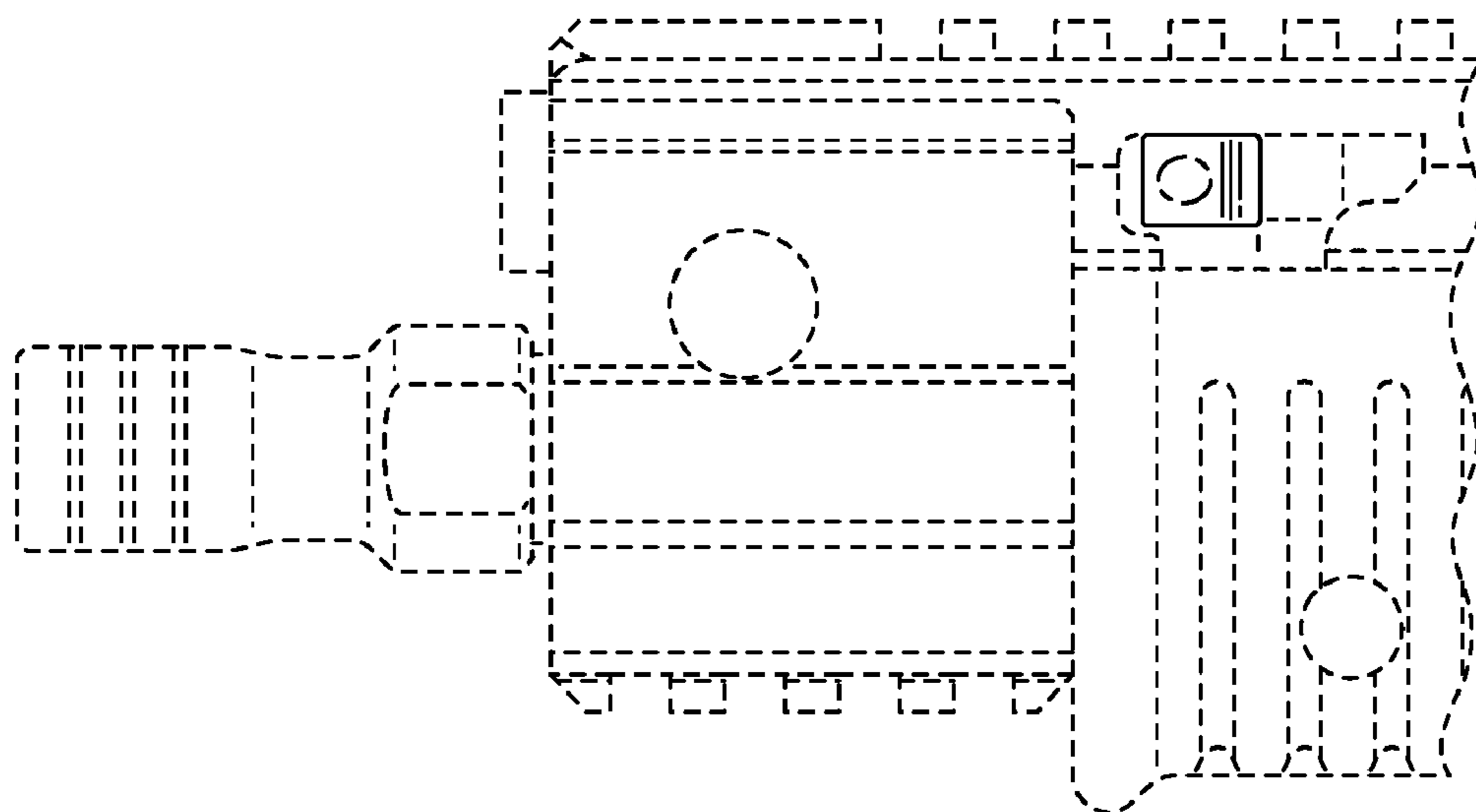


FIG. 8