



US00D636453S

(12) **United States Design Patent**
Fitzpatrick et al.

(10) **Patent No.:** **US D636,453 S**

(45) **Date of Patent:** **** *Apr. 19, 2011**

(54) **HAND GUARD FOR A FIREARM**

(75) Inventors: **Richard M. Fitzpatrick**, Denver, CO (US); **Michael T. Mayberry**, Denver, CO (US); **Eric C. Burt**, Broomfield, CO (US)

(73) Assignee: **Magpul Industries Corp.**, Erie, CO (US)

(*) Notice: This patent is subject to a terminal disclaimer.

(**) Term: **14 Years**

(21) Appl. No.: **29/303,203**

(22) Filed: **Feb. 1, 2008**

(51) **LOC (9) Cl.** **22-01**

(52) **U.S. Cl.** **D22/108**

(58) **Field of Classification Search** D22/100, D22/108, 109, 110, 199; 42/11, 72, 75.02, 42/71.01, 85, 90, 106, 114, 113, 116, 119, 42/124, 125, 127, 145, 128; 248/201, 205.1
See application file for complete search history.

(56) **References Cited**

U.S. PATENT DOCUMENTS

D508,726	S	*	8/2005	Storch	D22/108
D511,365	S	*	11/2005	Ding	D22/110
D516,157	S	*	2/2006	Ding	D22/110
D544,564	S	*	6/2007	Swan	D22/108
7,231,861	B1	*	6/2007	Gauny et al.	89/1.4
D556,289	S	*	11/2007	Yu	D22/108
2005/0183310	A1	*	8/2005	Finn	42/49.01
2005/0241206	A1	*	11/2005	Teetzel et al.	42/72
2005/0262752	A1	*	12/2005	Robinson et al.	42/71.01
2006/0026883	A1	*	2/2006	Hochstrate et al.	42/75.01
2006/0048424	A1	*	3/2006	Weir	42/69.01
2006/0075674	A1	*	4/2006	Ding	42/124
2006/0156606	A1	*	7/2006	Robinson et al.	42/7

2006/0162227	A1	*	7/2006	Samson	42/148
2006/0254111	A1	*	11/2006	Giauque et al.	42/72
2007/0199435	A1	*	8/2007	Hochstrate et al.	89/191.02

* cited by examiner

Primary Examiner — T. Chase Nelson

Assistant Examiner — Michael A Pratt

(74) *Attorney, Agent, or Firm* — Geoffrey E. Dobbin

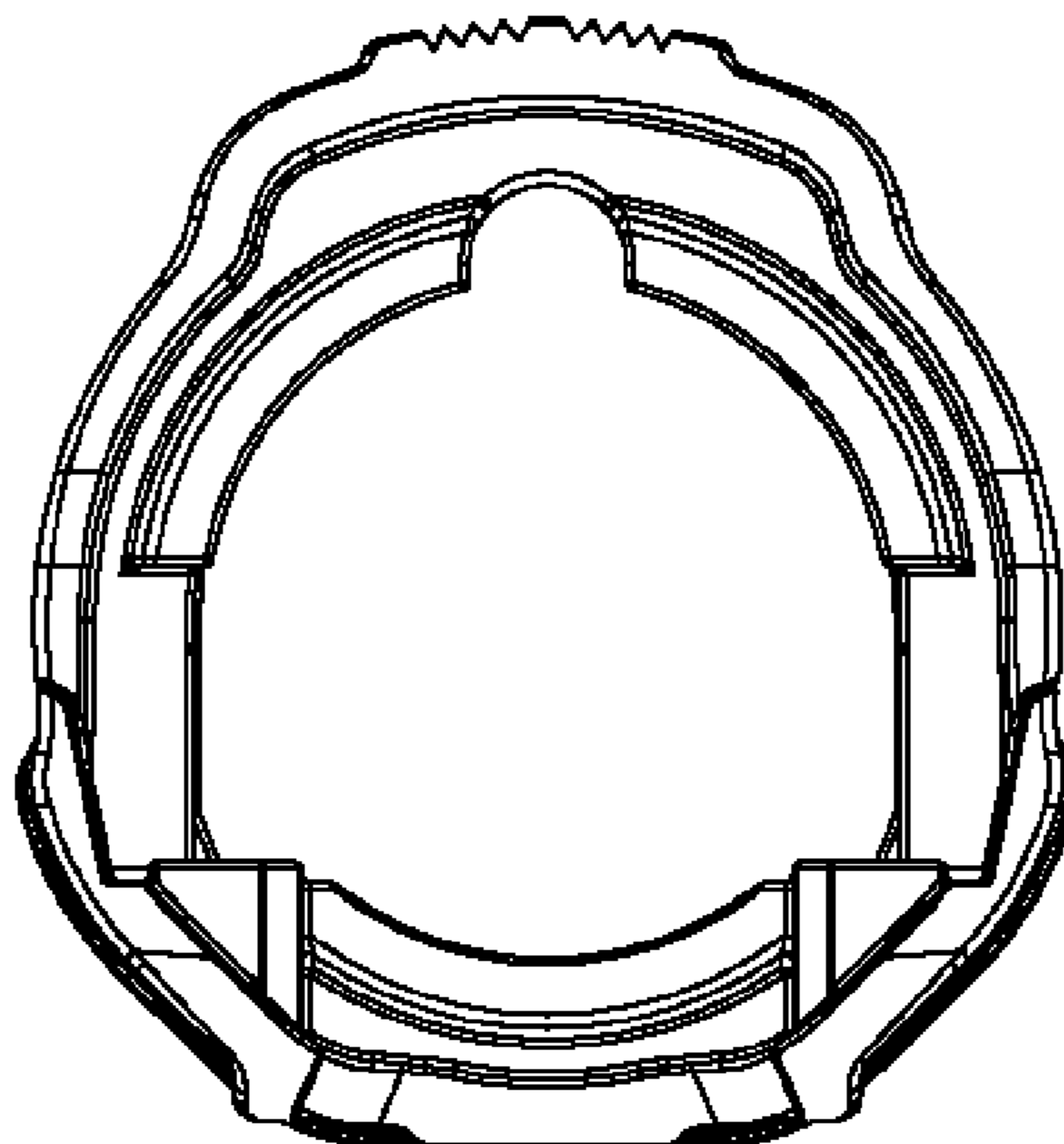
(57) **CLAIM**

The ornamental design for a hand guard, as shown and described.

DESCRIPTION

FIG. 1 is a front elevation view of the hand guard.
 FIG. 2 is a rear elevation view of the hand guard.
 FIG. 3 is a left/top/front perspective view of the hand guard.
 FIG. 4 is a right elevation view of the hand guard.
 FIG. 5 is a left elevation view of the hand guard.
 FIG. 6 is a top plan view of the hand guard.
 FIG. 7 is a bottom plan view of the hand guard.
 FIG. 8 is a right/top/rear perspective view of the hand guard.
 FIG. 9 is a right/bottom/rear perspective view of the hand guard.
 FIG. 10 is a right/bottom/front perspective view of the hand guard.
 FIG. 11 is a right/top/front perspective view of the hand guard.
 FIG. 12 is a left/bottom/front perspective view of the hand guard.
 FIG. 13 is a left/bottom/rear perspective view of the hand guard; and,
 FIG. 14 is a left/top/rear perspective view of the hand guard.
 The broken line showing of portions of the hand guard for a firearm in all figures is included for the purpose of illustrating environment and forms no part of the claimed design.

1 Claim, 4 Drawing Sheets



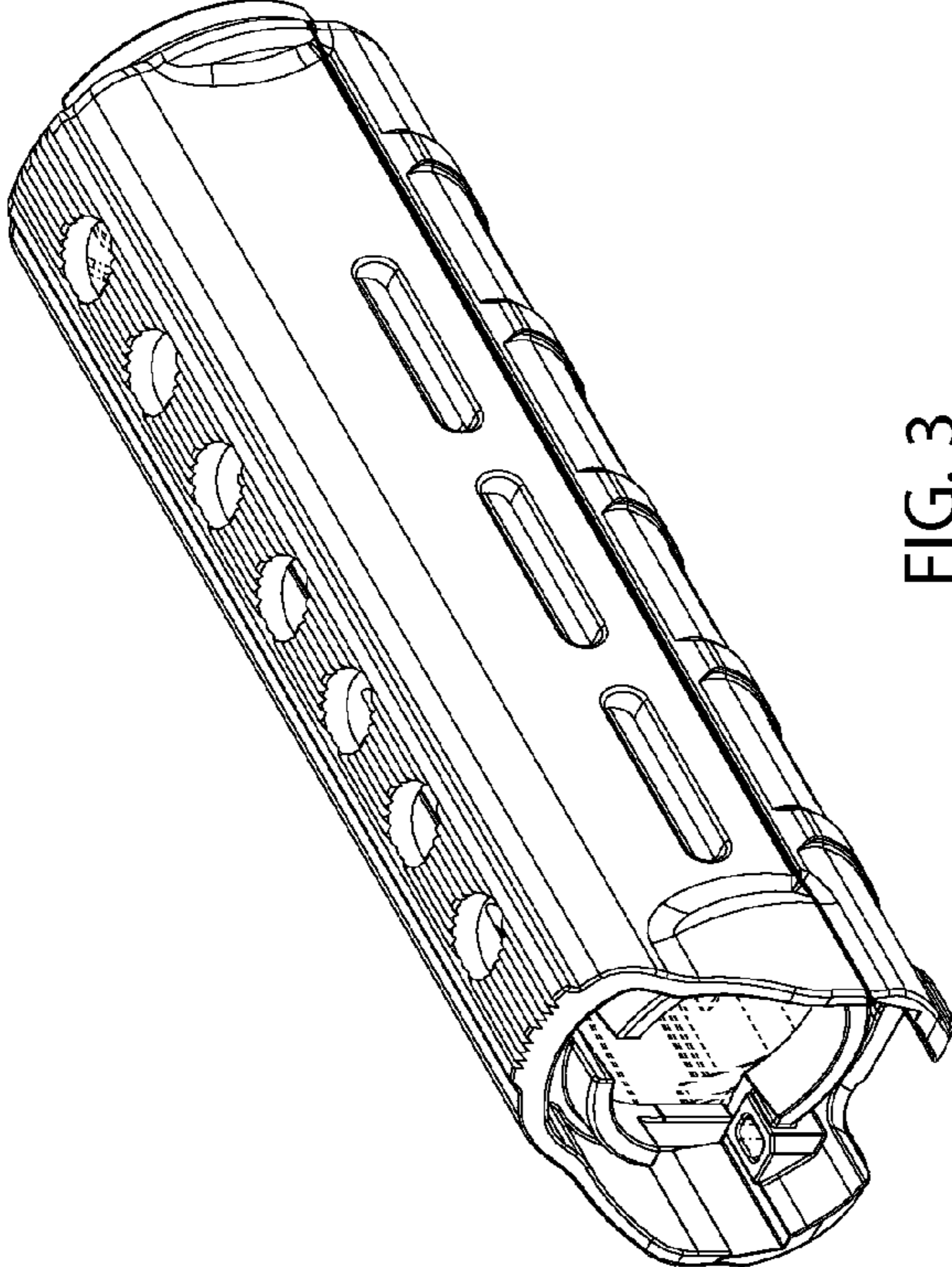


FIG. 3

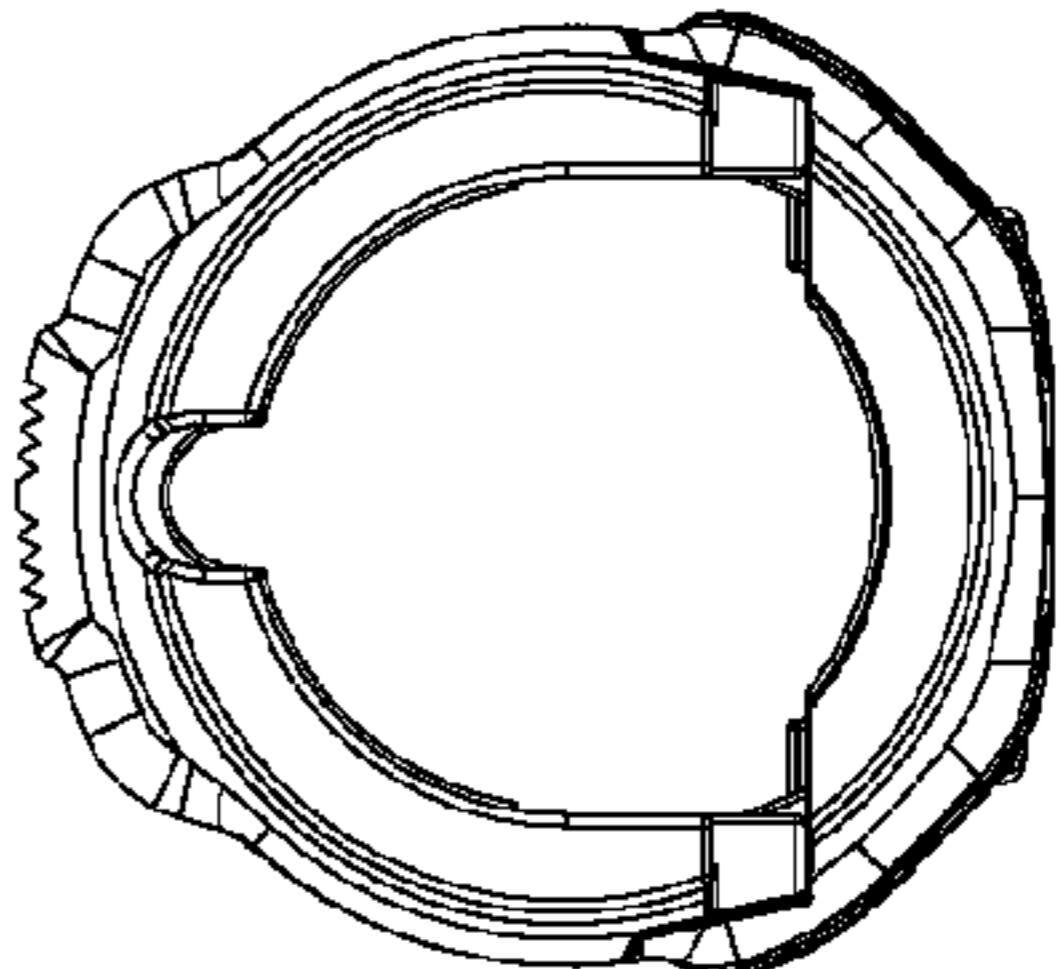


FIG. 2

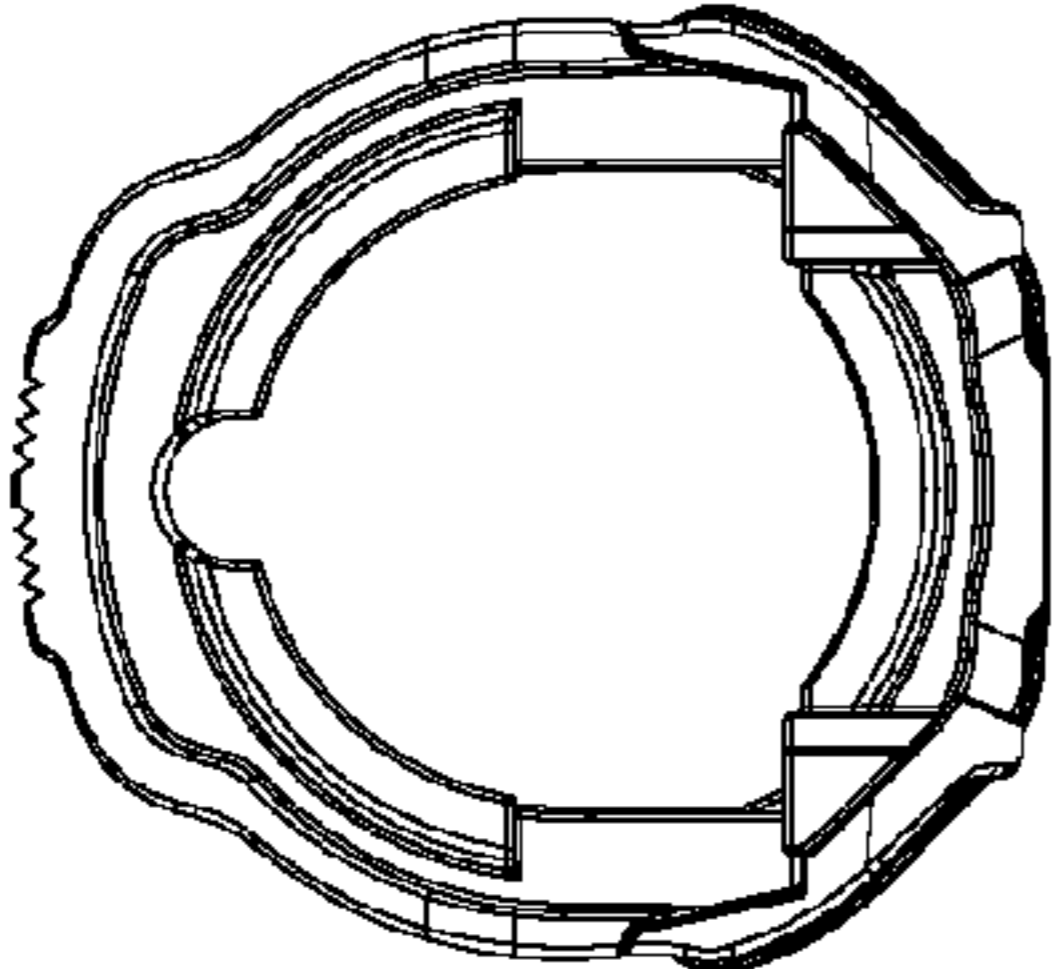


FIG. 1

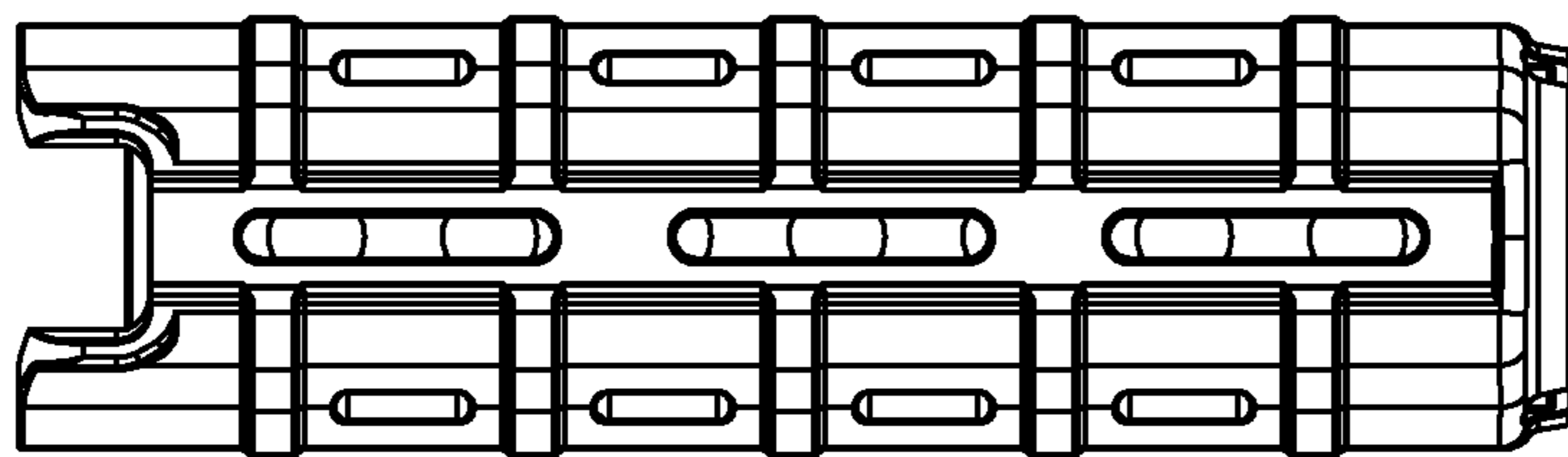


FIG. 7

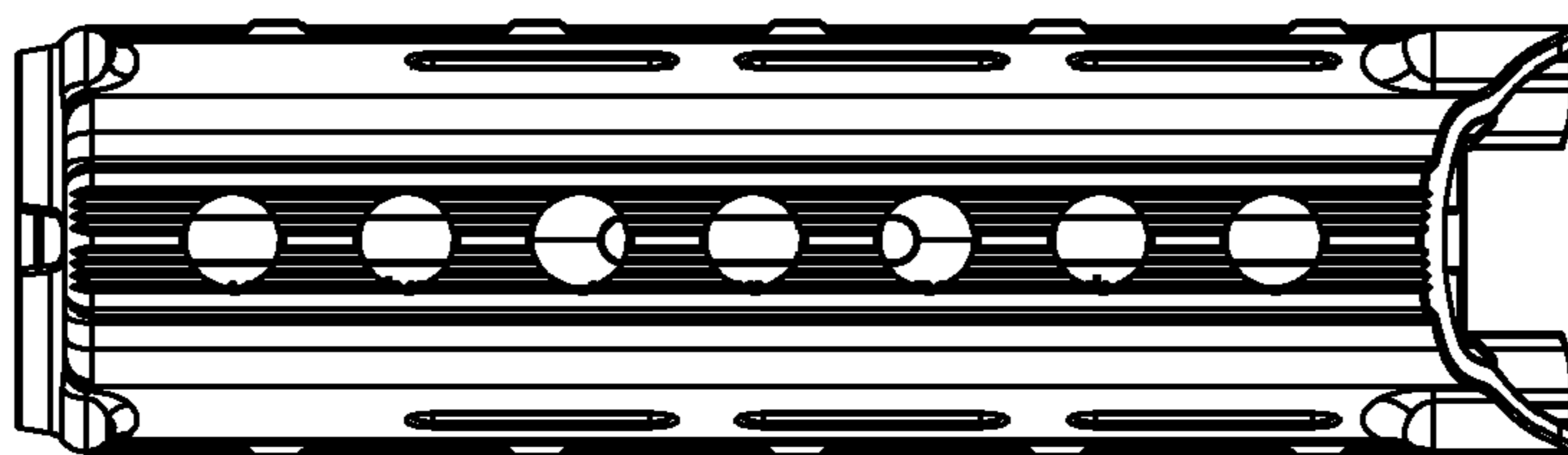


FIG. 6

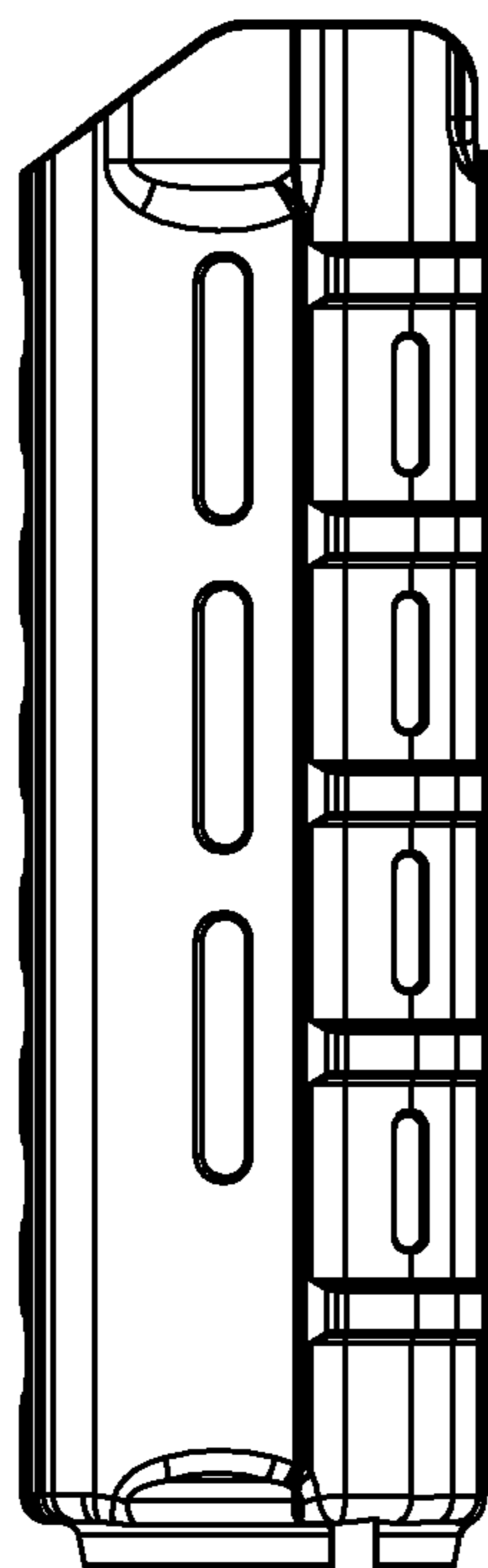


FIG. 4

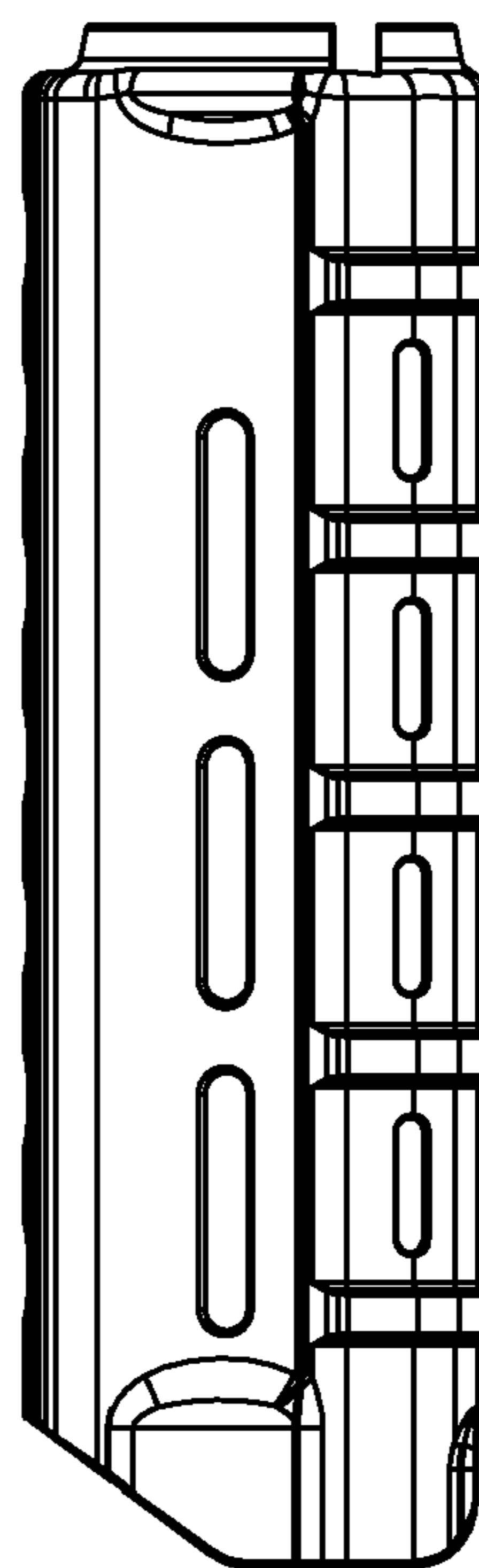


FIG. 5

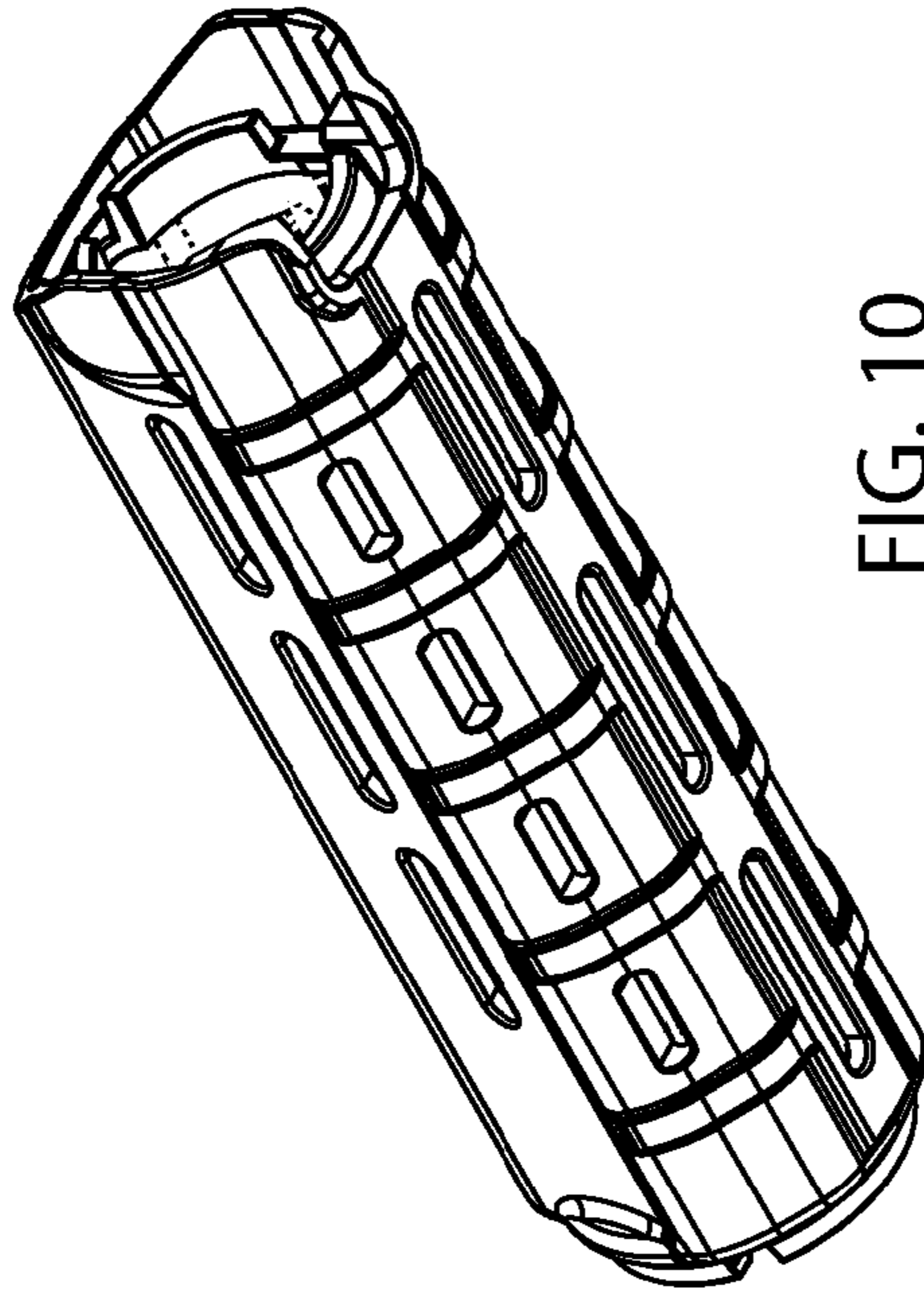


FIG. 10

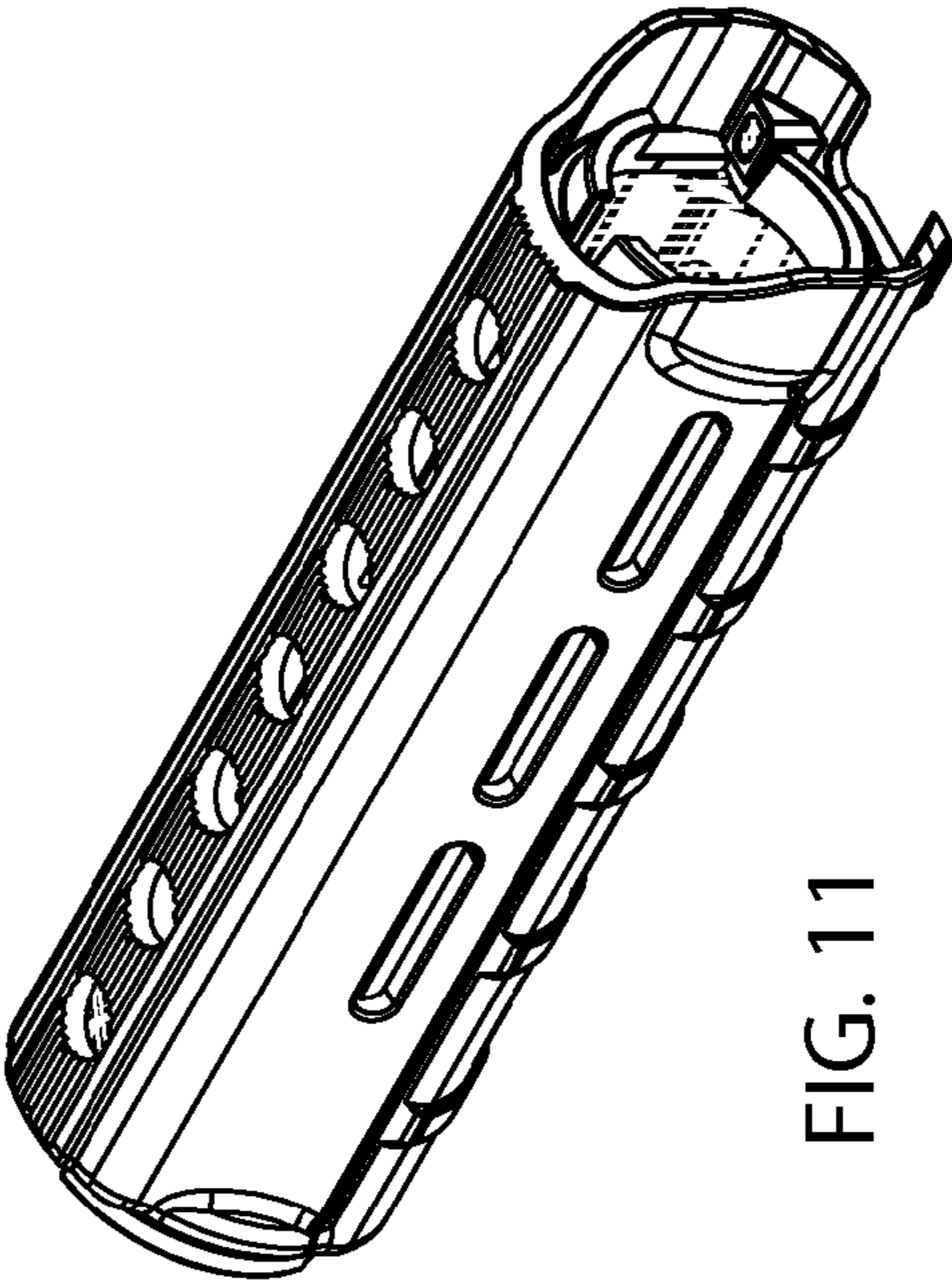


FIG. 11

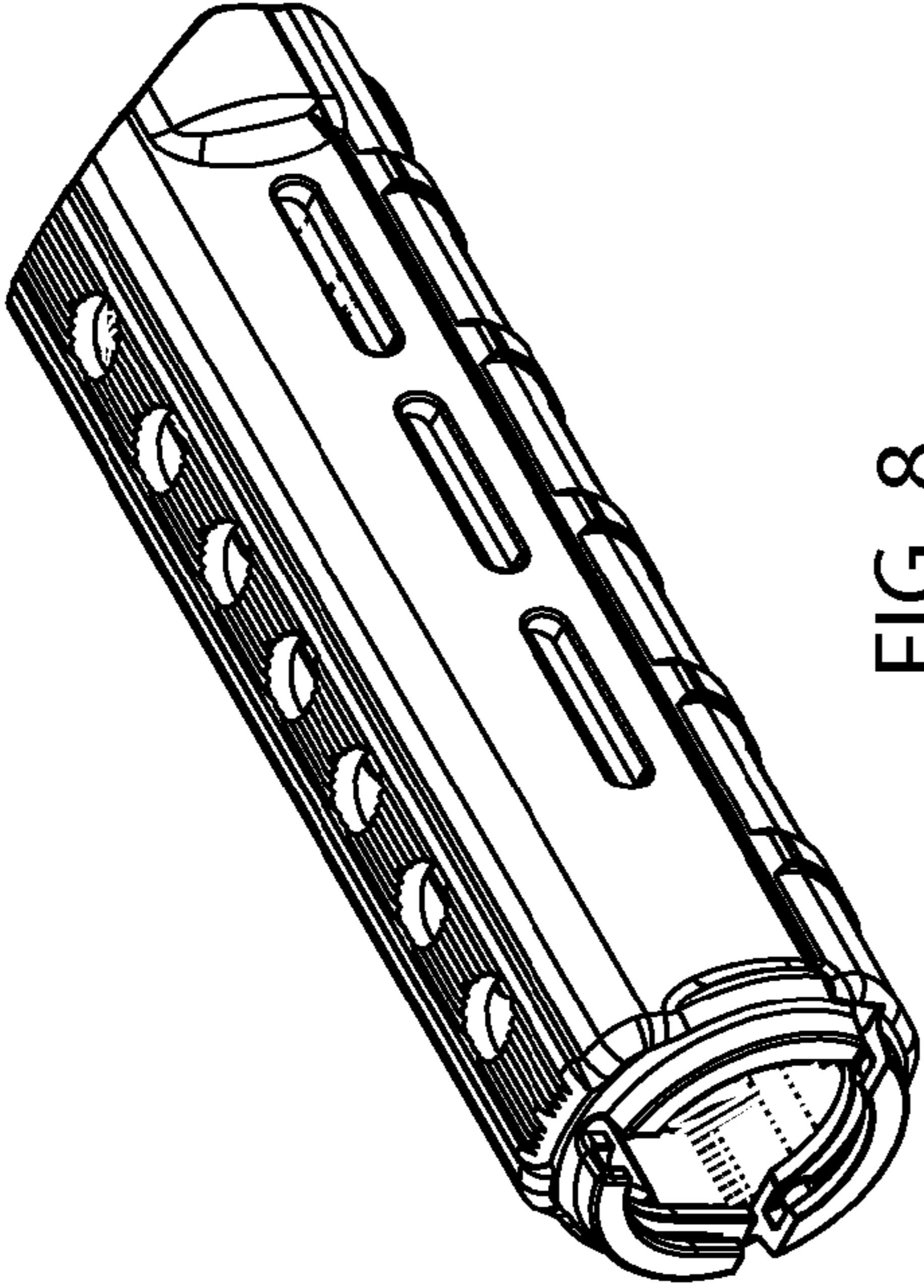


FIG. 8

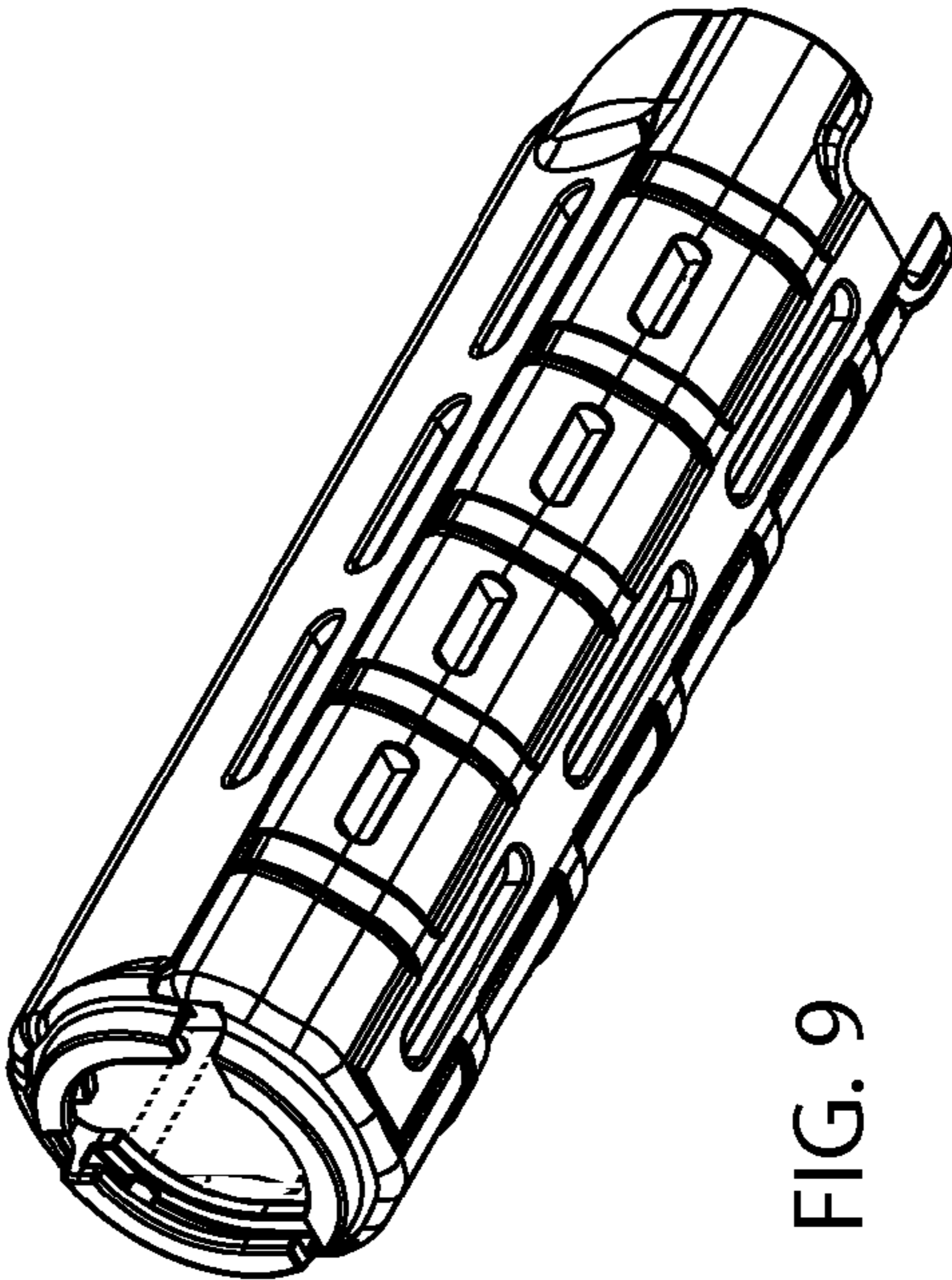


FIG. 9

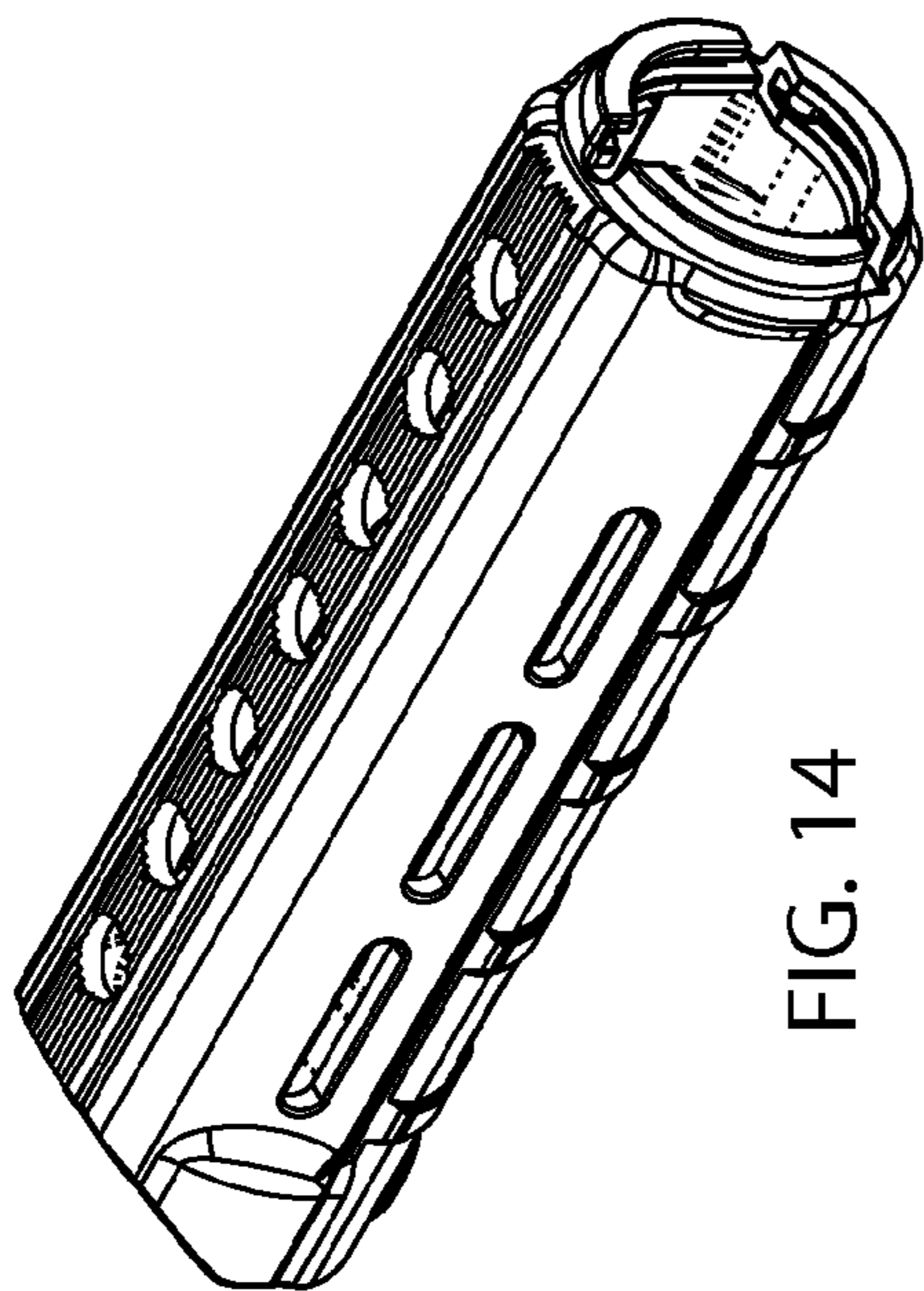


FIG. 14

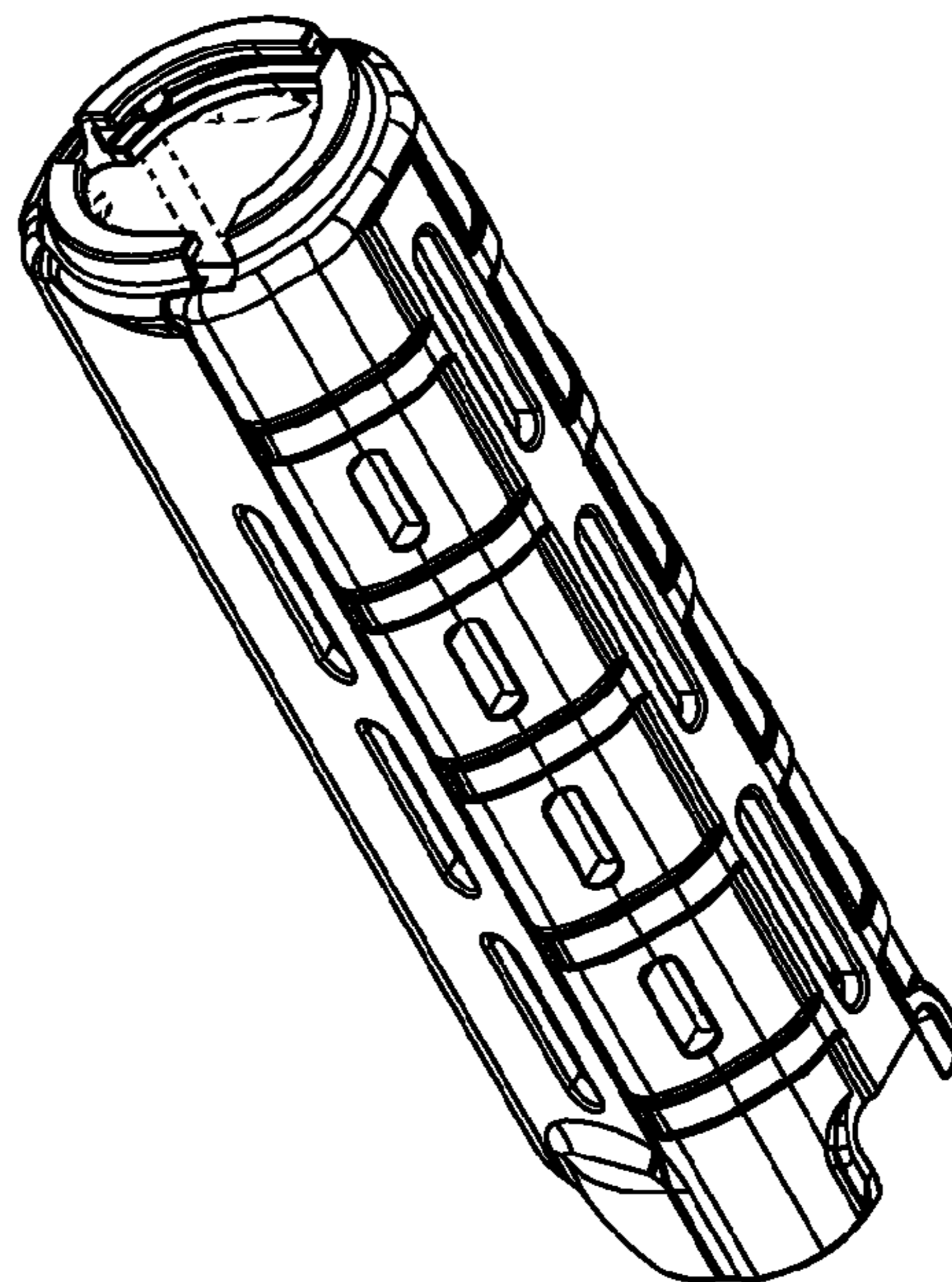


FIG. 13

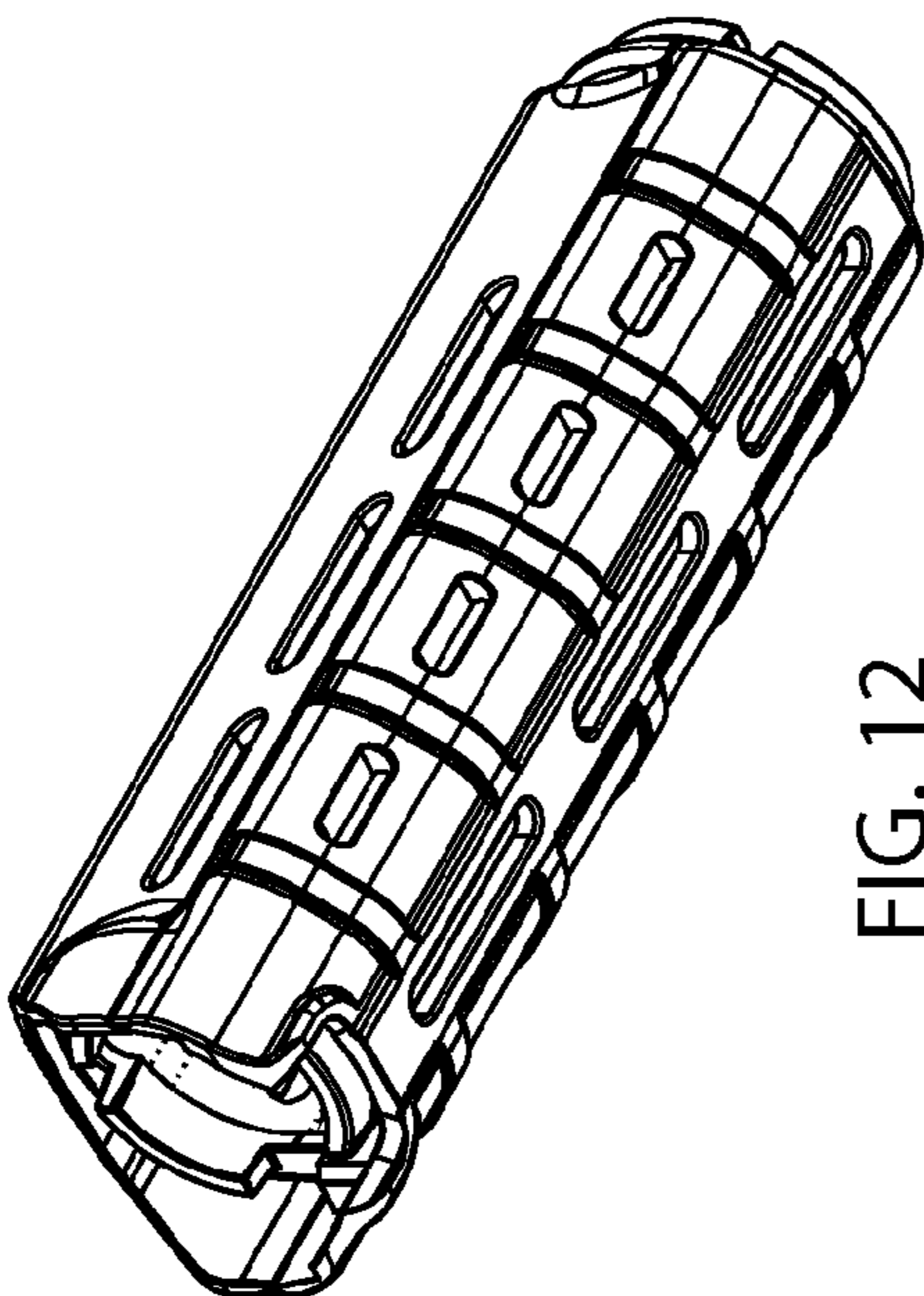


FIG. 12