



US00D636450S

(12) **United States Design Patent**
Wu

(10) **Patent No.:** **US D636,450 S**
(45) **Date of Patent:** **** Apr. 19, 2011**

(54) **CHAIN COVER FOR EXERCISE BIKE**

(76) Inventor: **Mu-Chuan Wu, Hsi-Kang Hsiang (TW)**

(**) Term: **14 Years**

(21) Appl. No.: **29/370,730**

(22) Filed: **Aug. 27, 2010**

(51) **LOC (9) Cl.** **21-02**

(52) **U.S. Cl.** **D21/694**

(58) **Field of Classification Search** D21/662,
D21/663-669, 694, 697; 482/51, 53, 57,
482/58, 60, 62-65, 130, 146; D12/127, 111
See application file for complete search history.

(56) **References Cited**

U.S. PATENT DOCUMENTS

D220,668 S *	5/1971	Purdy	D12/111
D250,135 S *	10/1978	Moyski et al.	D21/667
D280,226 S *	8/1985	Kasuba et al.	D21/667
D280,228 S *	8/1985	Gold	D21/665
D281,711 S *	12/1985	Hiivola	D21/667
D296,457 S *	6/1988	Anitua	D21/667
D357,953 S *	5/1995	Warehime et al.	D21/667
D376,569 S *	12/1996	Fang	D12/127
D382,924 S *	8/1997	Wu	D21/667

D382,926 S *	8/1997	Wu	D21/697
D483,821 S *	12/2003	Yang	D21/662
D497,654 S *	10/2004	Chen	D21/697
D616,050 S *	5/2010	Lull	D21/667

* cited by examiner

Primary Examiner — Susan E Krakower

(74) *Attorney, Agent, or Firm* — Charles E. Baxley

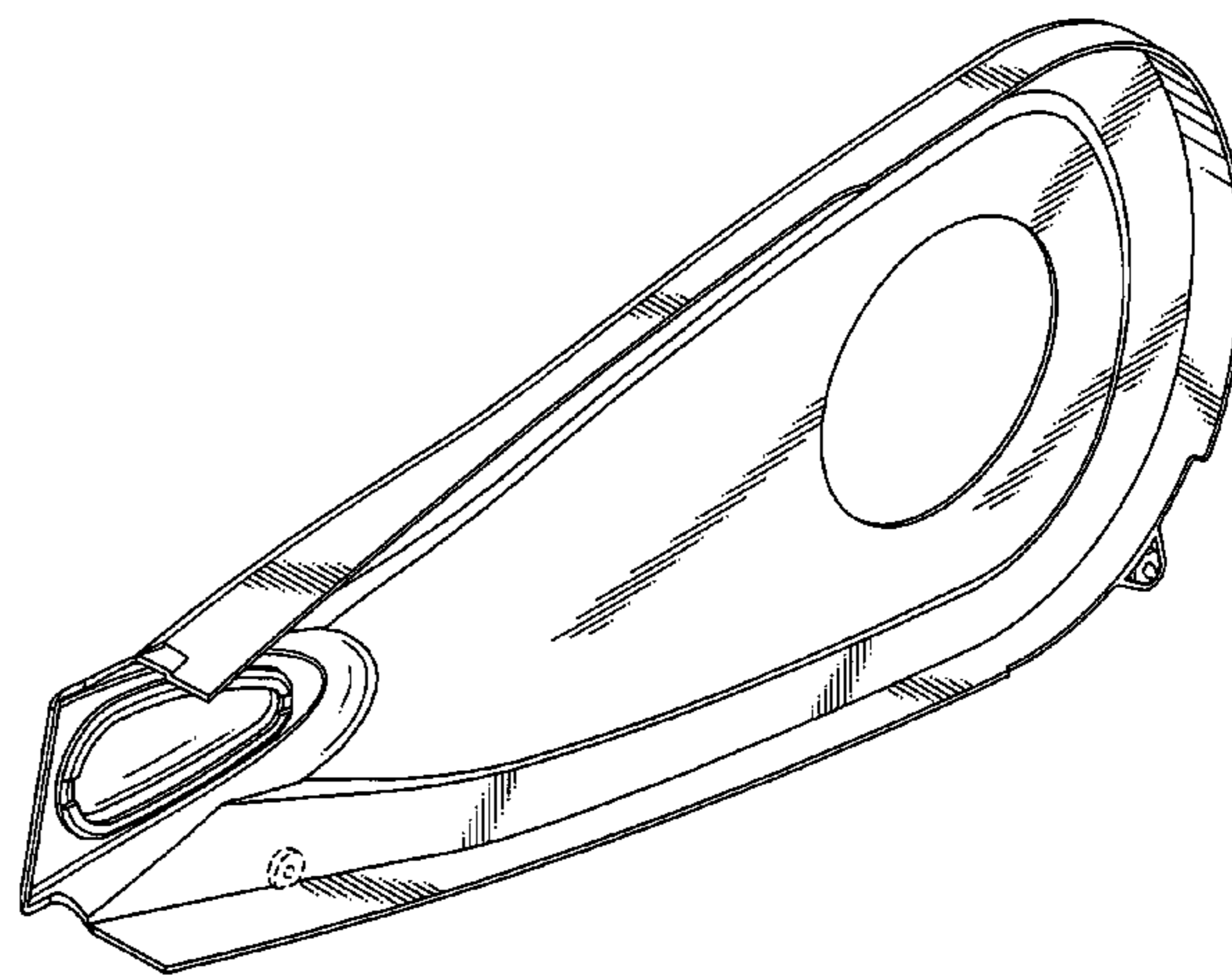
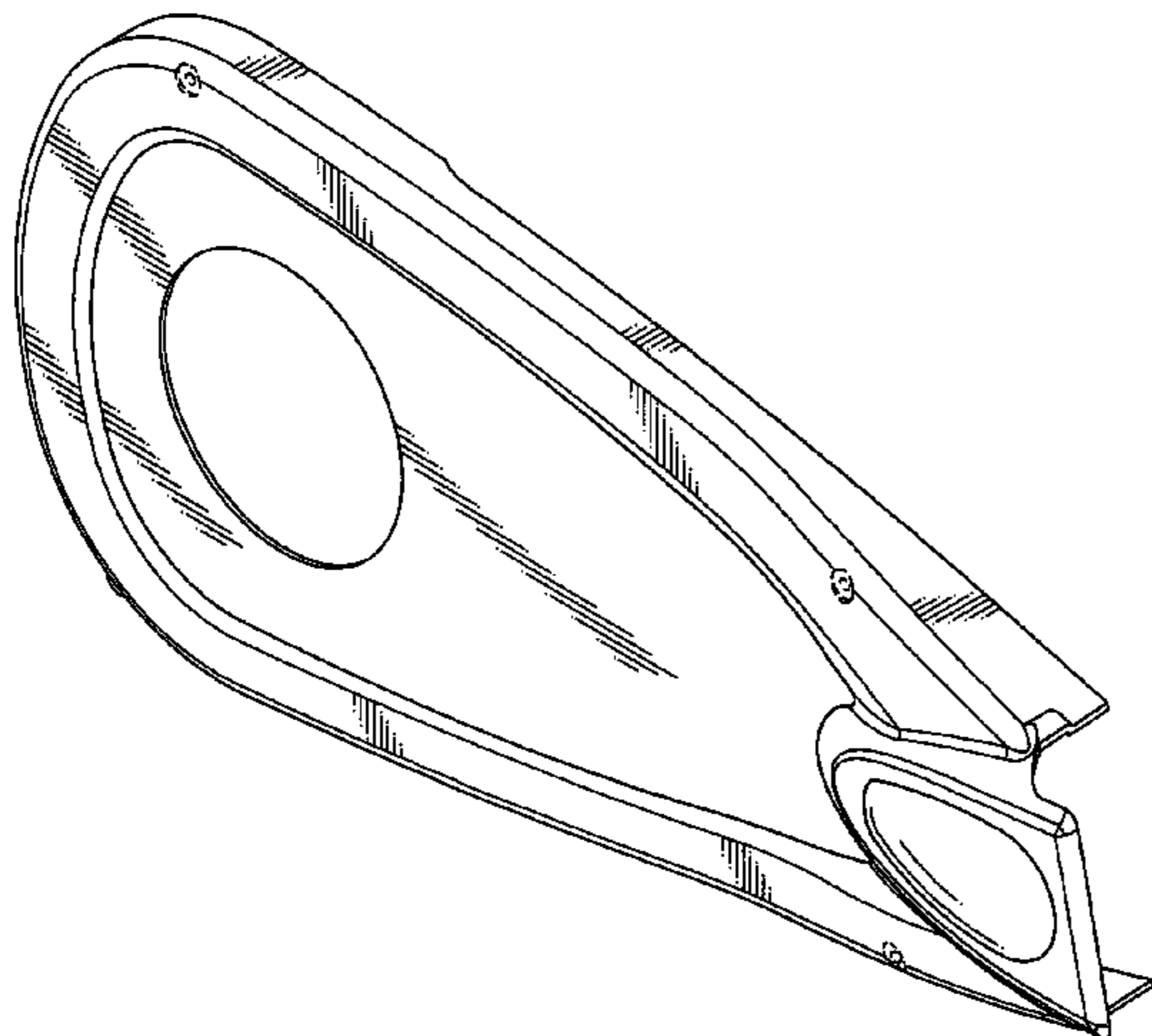
(57) **CLAIM**

The ornamental design for a chain cover for exercise bike, as shown and described.

DESCRIPTION

FIG. 1 is a perspective view of a chain cover for exercise bike, showing my new design;
FIG. 2 is a front view thereof;
FIG. 3 is a rear view thereof;
FIG. 4 is a left view thereof;
FIG. 5 is a right view thereof;
FIG. 6 is a top view thereof;
FIG. 7 is a bottom view thereof; and,
FIG. 8 is another perspective view thereof.
The broken lines illustrate portions of the chain cover for exercise bike which form no part of the claimed design.

1 Claim, 6 Drawing Sheets



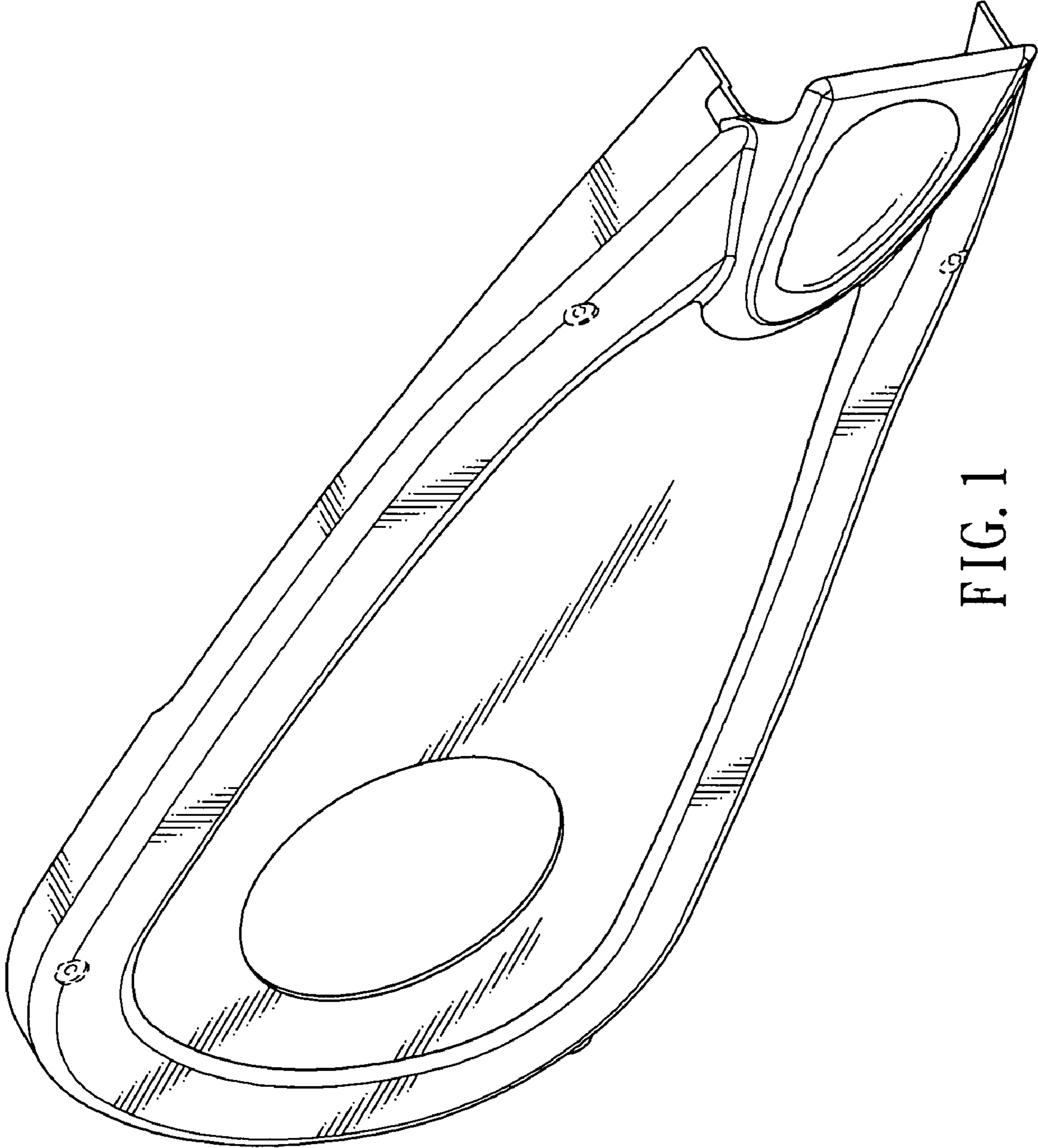


FIG. 1

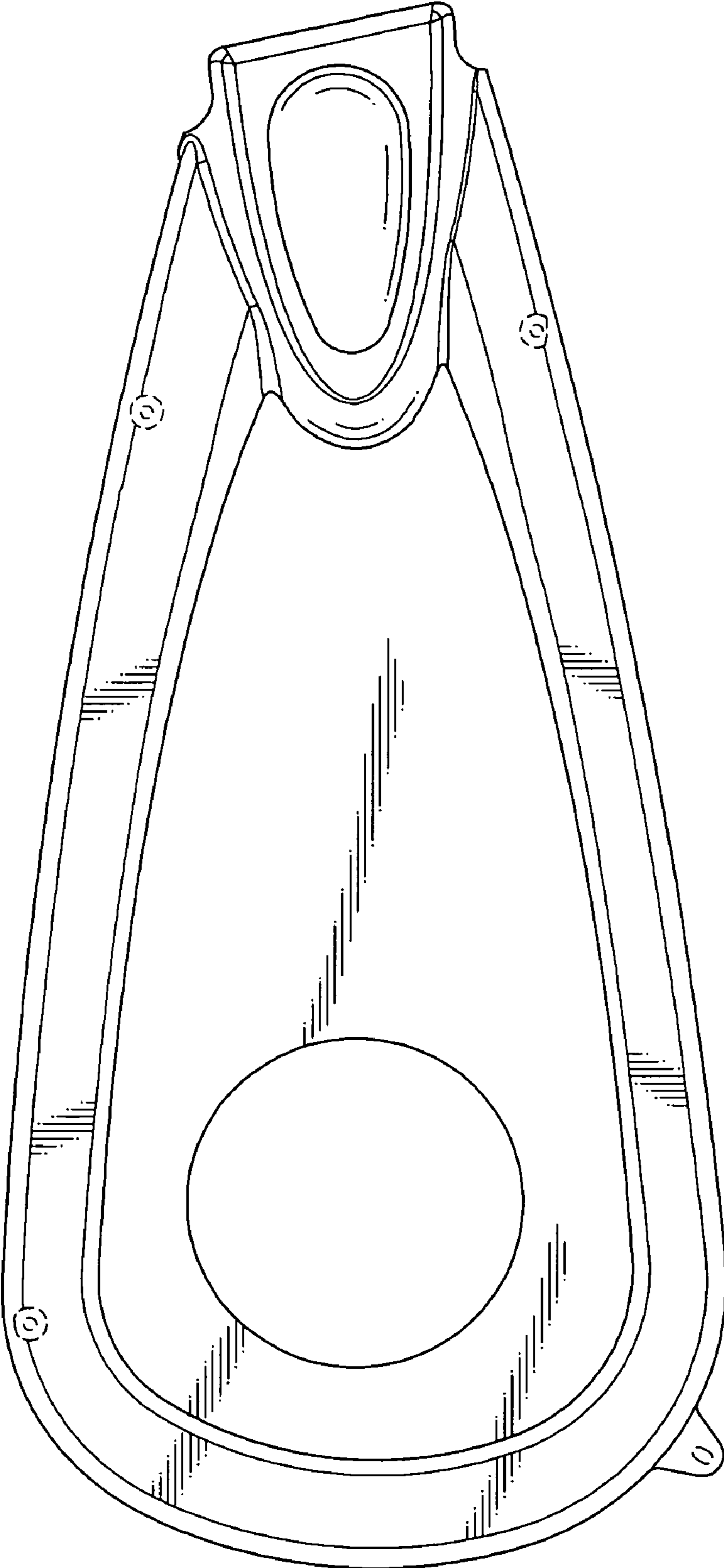


FIG. 2

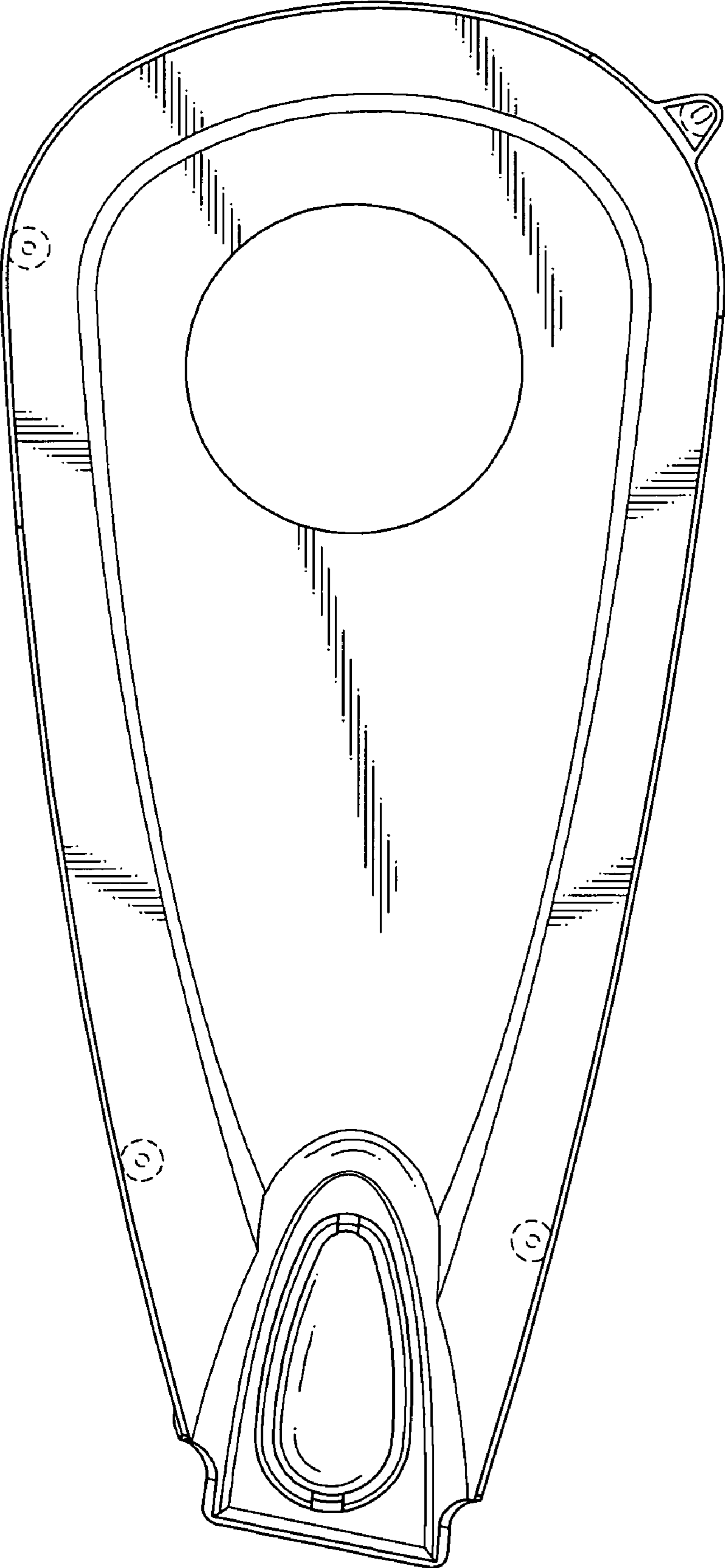


FIG. 3

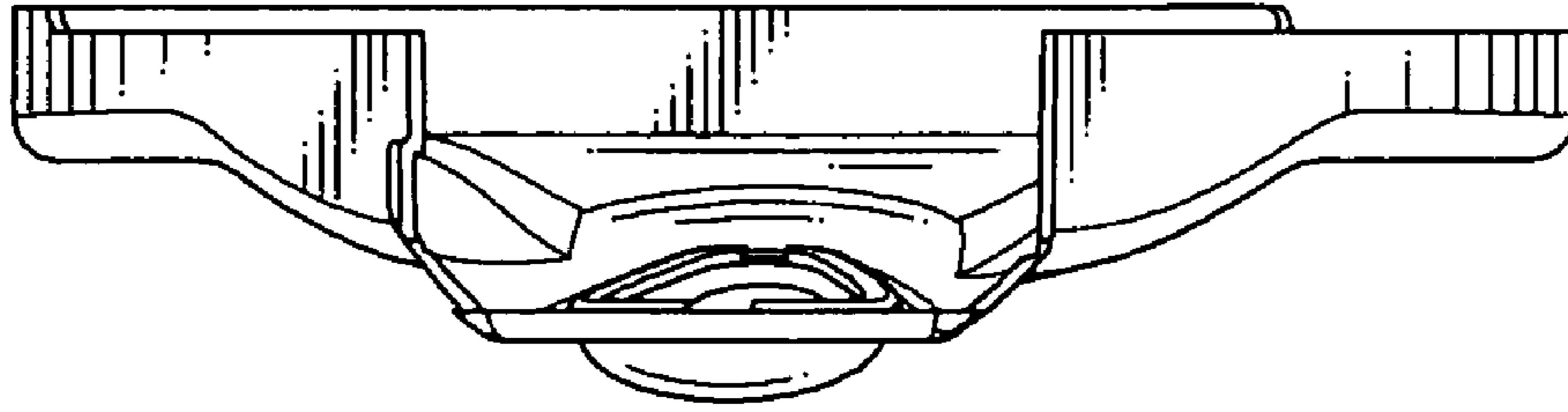


FIG. 5

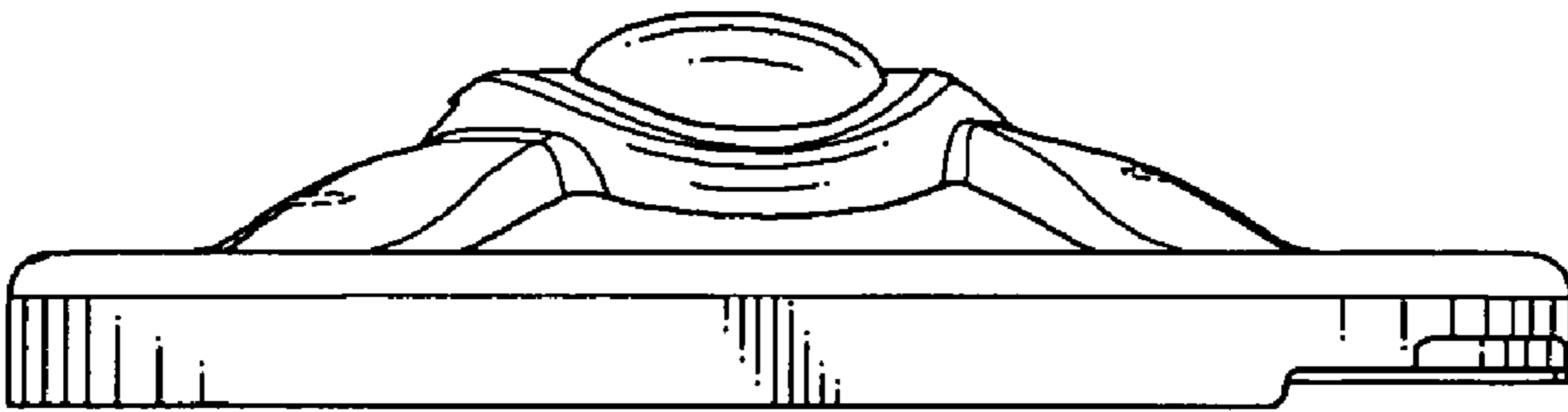


FIG. 4

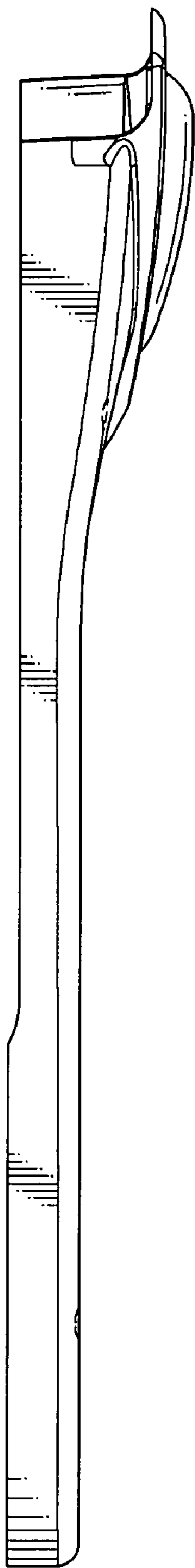


FIG. 6

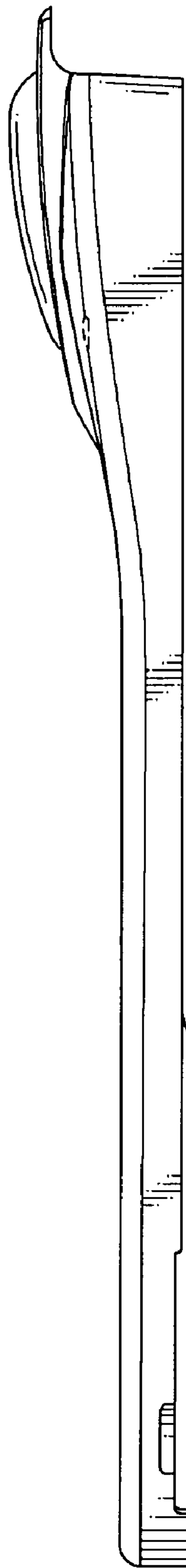


FIG. 7

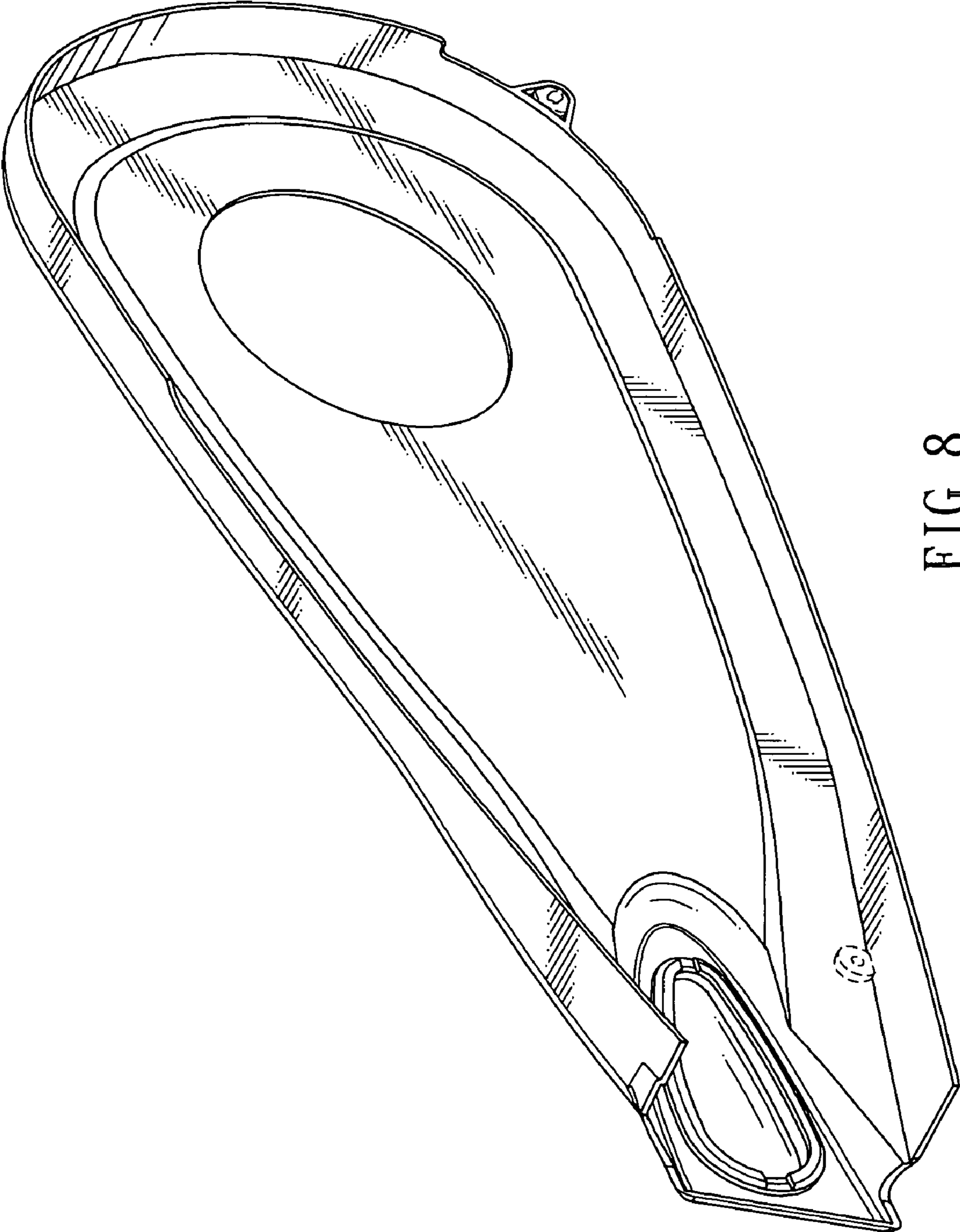


FIG. 8