



US00D636449S

(12) **United States Design Patent**
Wu

(10) **Patent No.:** **US D636,449 S**

(45) **Date of Patent:** **** Apr. 19, 2011**

(54) **EXERCISE BIKE**

(76) Inventor: **Mu-Chuan Wu, Hsi-Kang Hsiang (TW)**

(**) Term: **14 Years**

(21) Appl. No.: **29/370,731**

(22) Filed: **Aug. 27, 2010**

(51) **LOC (9) Cl.** **21-02**

(52) **U.S. Cl.** **D21/667**

(58) **Field of Classification Search** D21/662,
D21/663-669, 694, 697; 482/51, 53, 57,
482/58, 60, 62-65, 130, 146

See application file for complete search history.

(56) **References Cited**

U.S. PATENT DOCUMENTS

3,759,511	A *	9/1973	Zinkin et al.	482/51
D285,953	S *	9/1986	Gustafsson	D21/667
D299,732	S *	2/1989	Gustafsson	D21/667
5,423,728	A *	6/1995	Goldberg	482/57
D372,284	S *	7/1996	Wang et al.	D21/667
D380,796	S *	7/1997	Wang et al.	D21/667
D382,924	S *	8/1997	Wu	D21/667
D382,925	S *	8/1997	Wu	D21/667
D473,602	S *	4/2003	Baudhuin et al.	D21/697
6,558,296	B2 *	5/2003	Herb, Jr.	482/57
6,669,603	B1 *	12/2003	Forcillo	482/57

D532,063	S *	11/2006	Kim et al.	D21/697
D571,417	S *	6/2008	Su	D21/667
7,413,530	B2 *	8/2008	Warner et al.	482/57
D579,989	S *	11/2008	Bingham et al.	D21/667
D616,050	S *	5/2010	Lull	D21/667
D624,612	S *	9/2010	Watt	D21/667
D625,762	S *	10/2010	Fon	D21/667

* cited by examiner

Primary Examiner — Susan E Krakower

(74) *Attorney, Agent, or Firm* — Charles E. Baxley

(57) **CLAIM**

The ornamental design for an exercise bike, as shown and described.

DESCRIPTION

FIG. 1 is a perspective view of an exercise bike, showing my new design;

FIG. 2 is a front view thereof;

FIG. 3 is a rear view thereof;

FIG. 4 is a left view thereof;

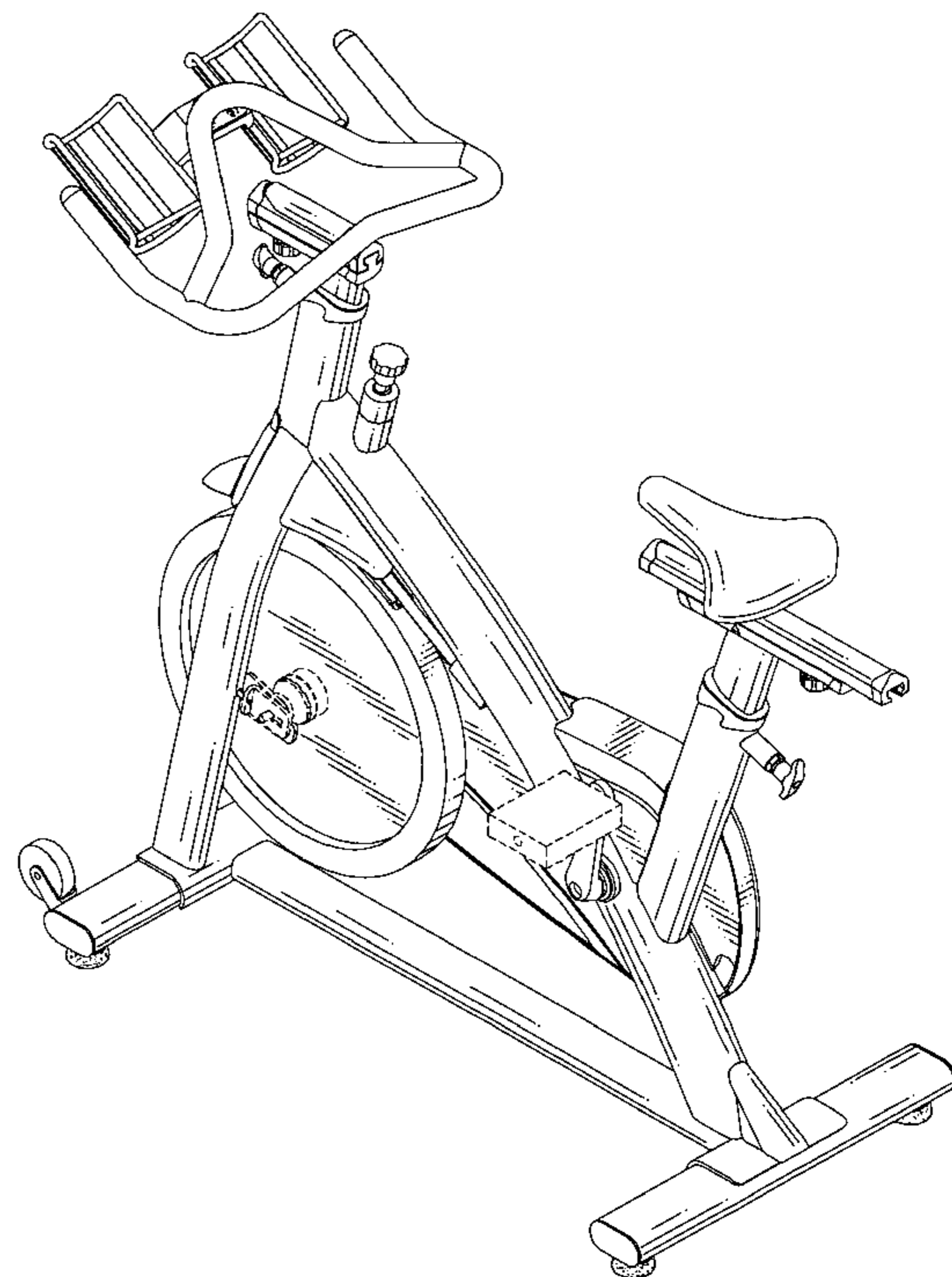
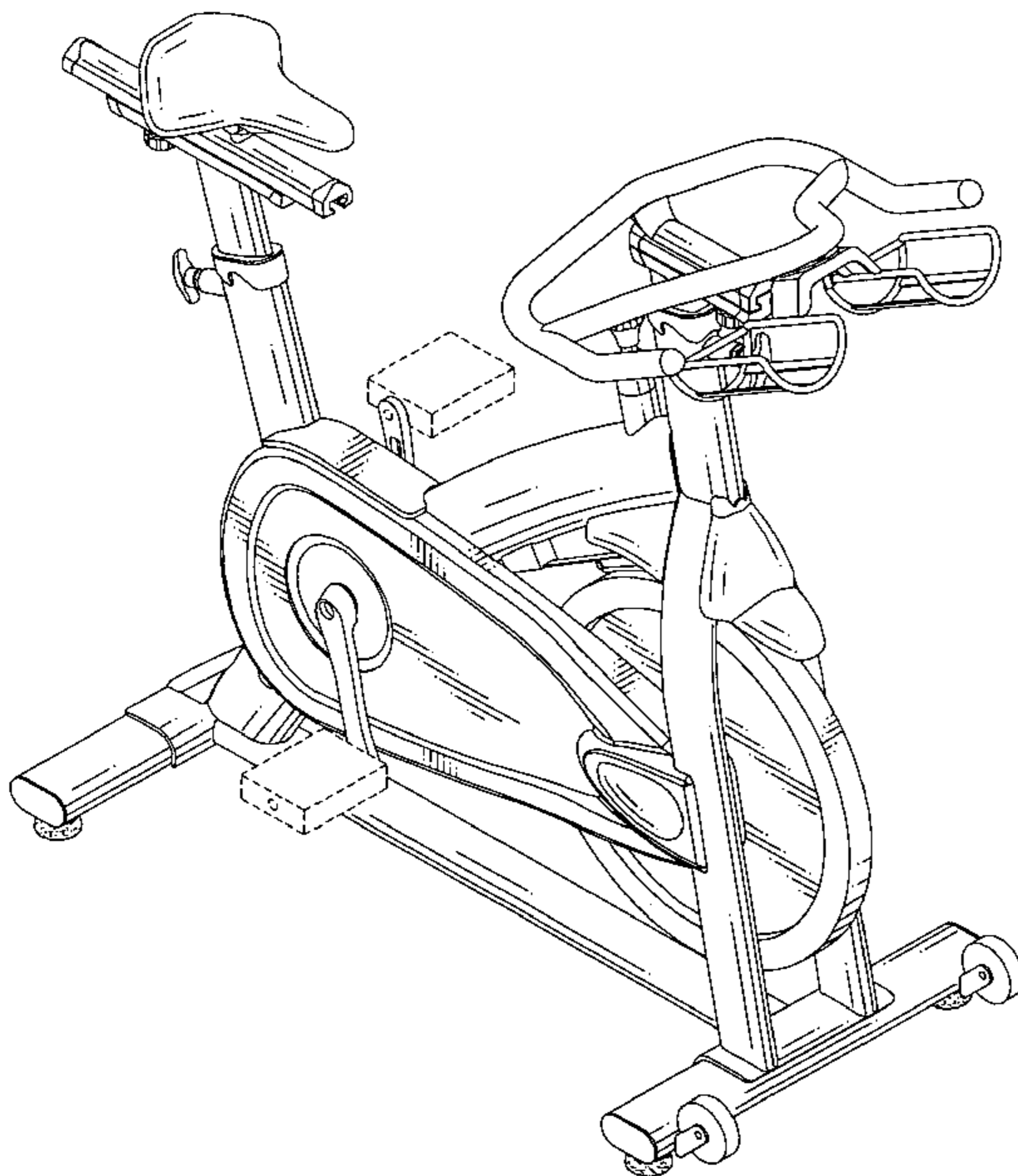
FIG. 5 is a right view thereof;

FIG. 6 is a top view thereof; and,

FIG. 7 is another perspective view thereof.

The broken lines illustrate portions of the exercise bike which form no part of the claimed design.

1 Claim, 6 Drawing Sheets



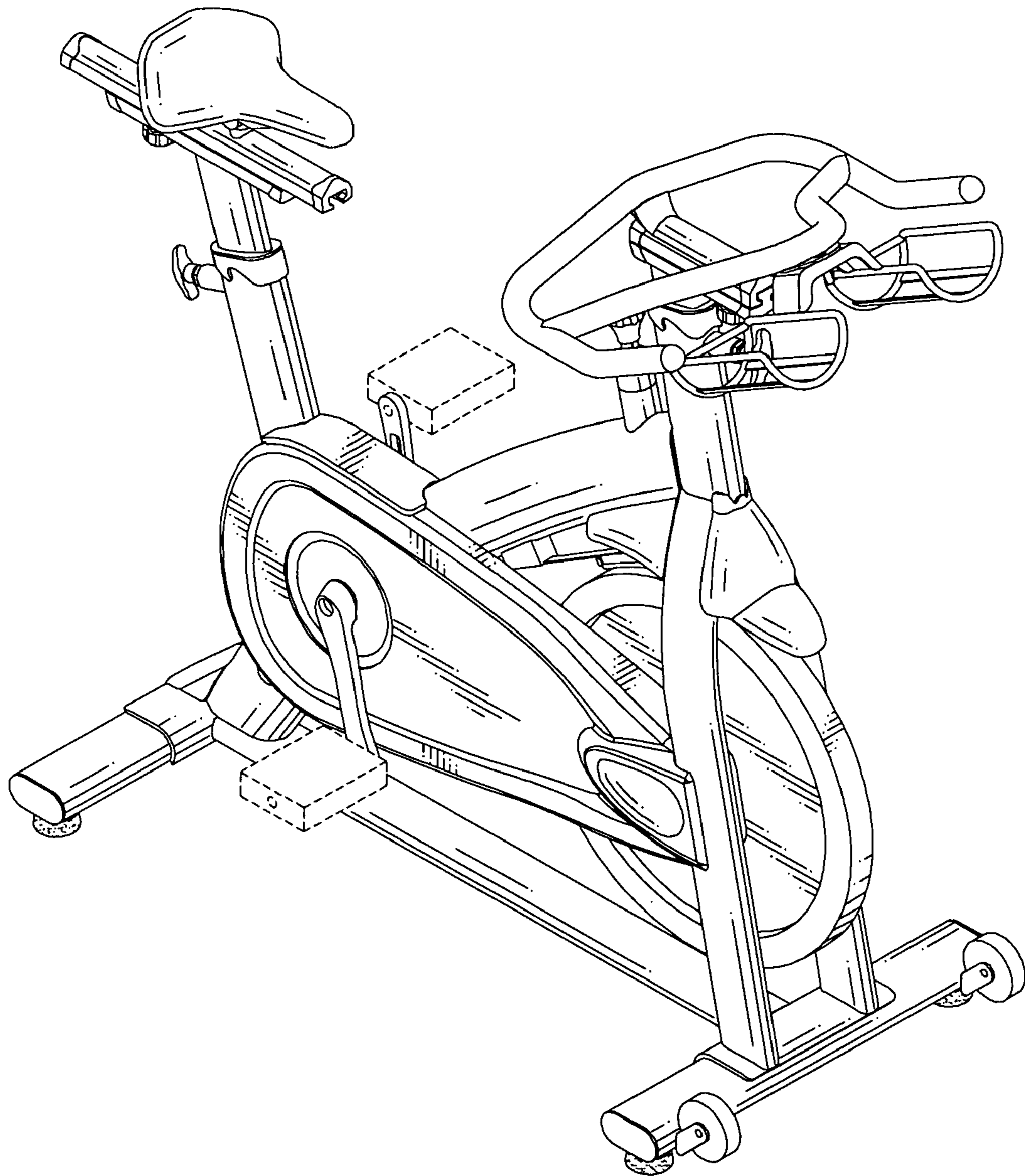


FIG. 1

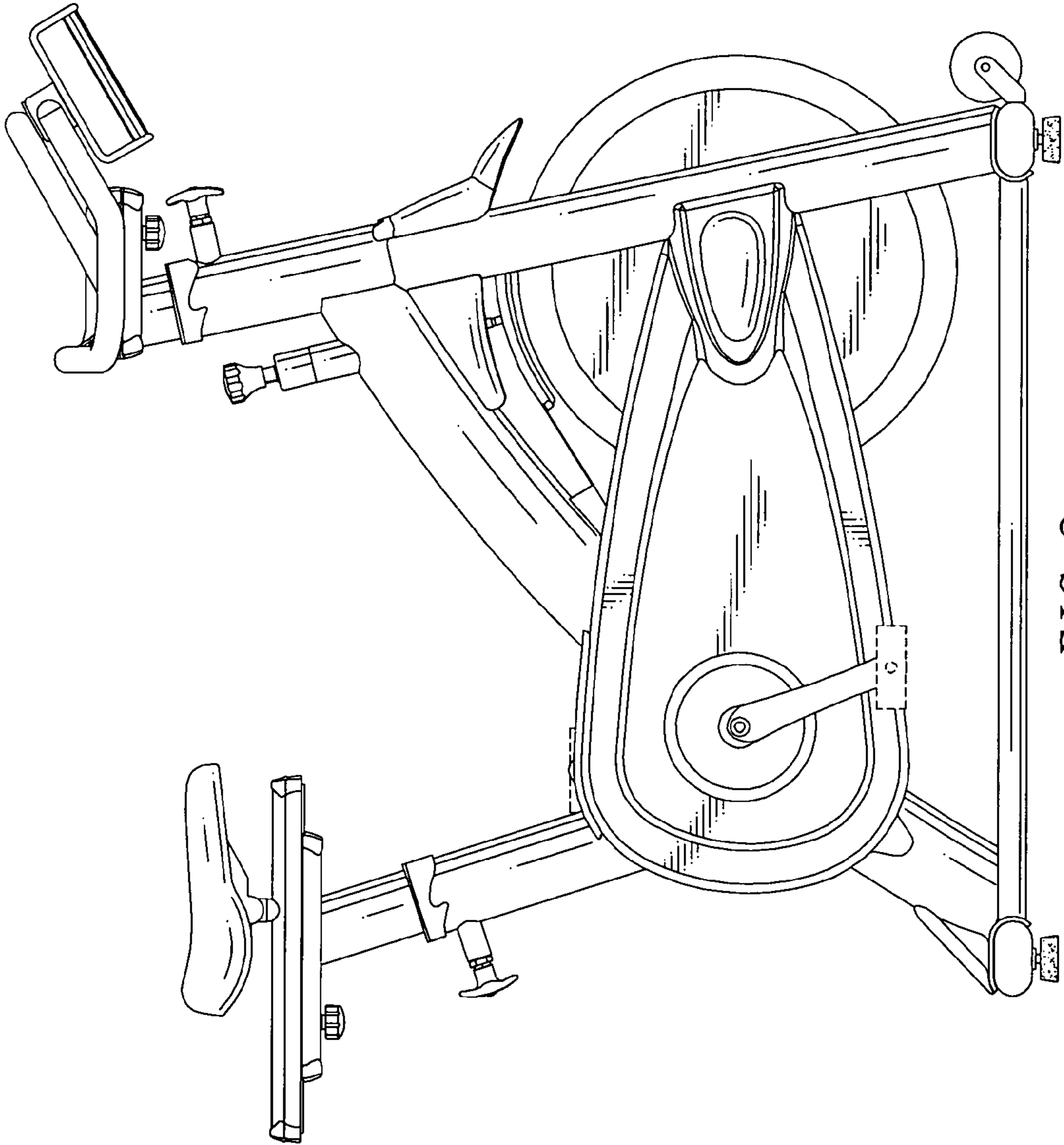


FIG. 2

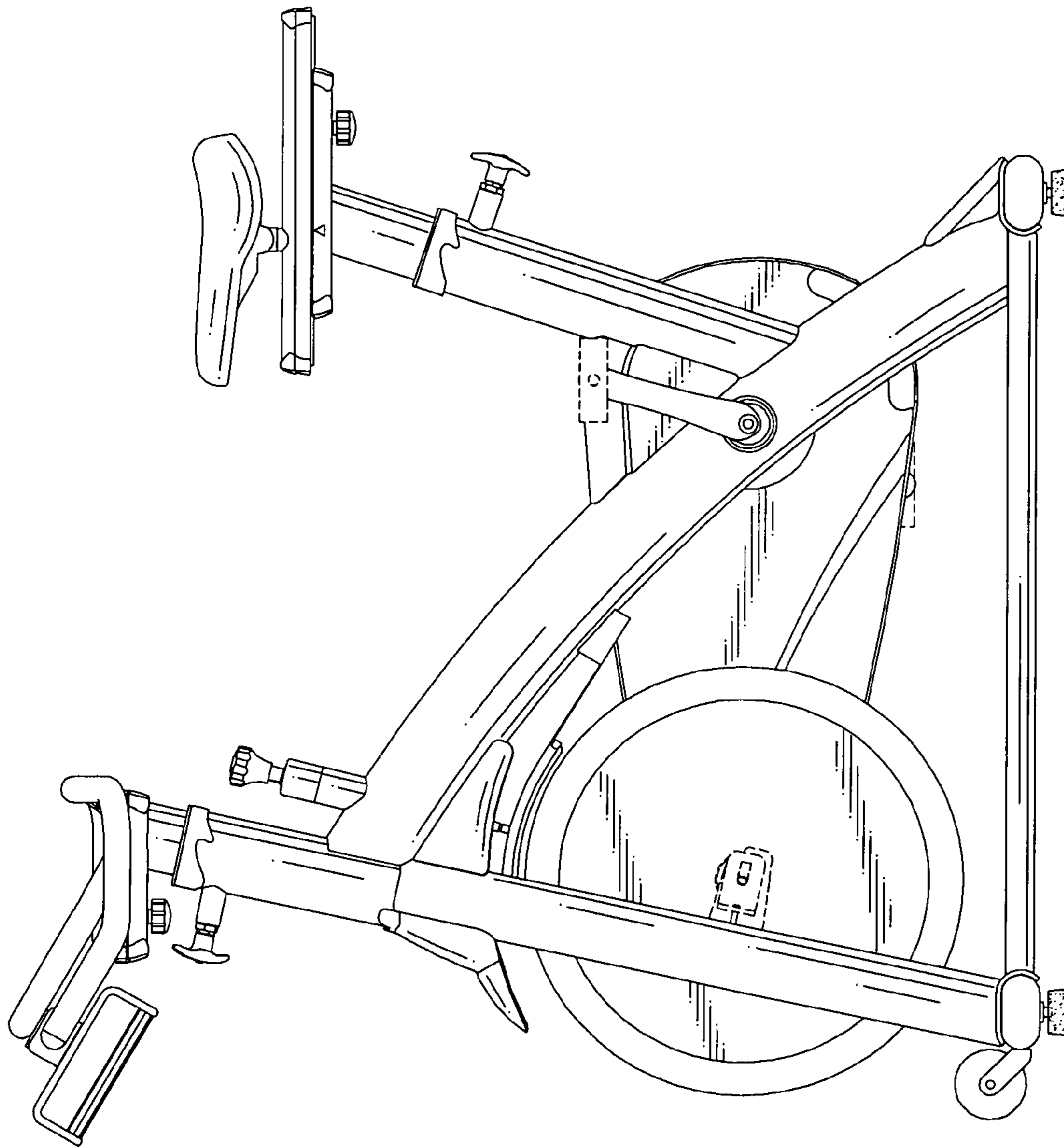


FIG. 3

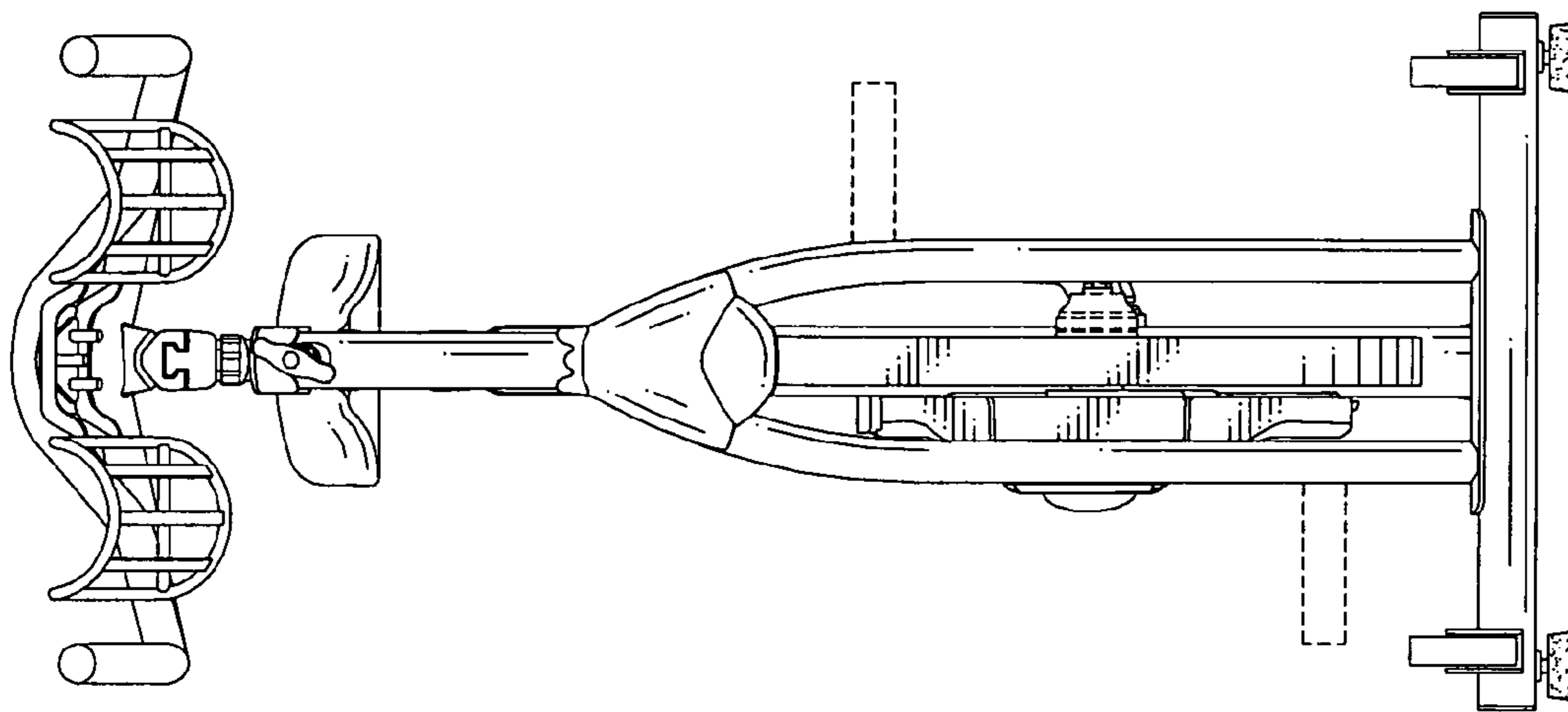


FIG. 5

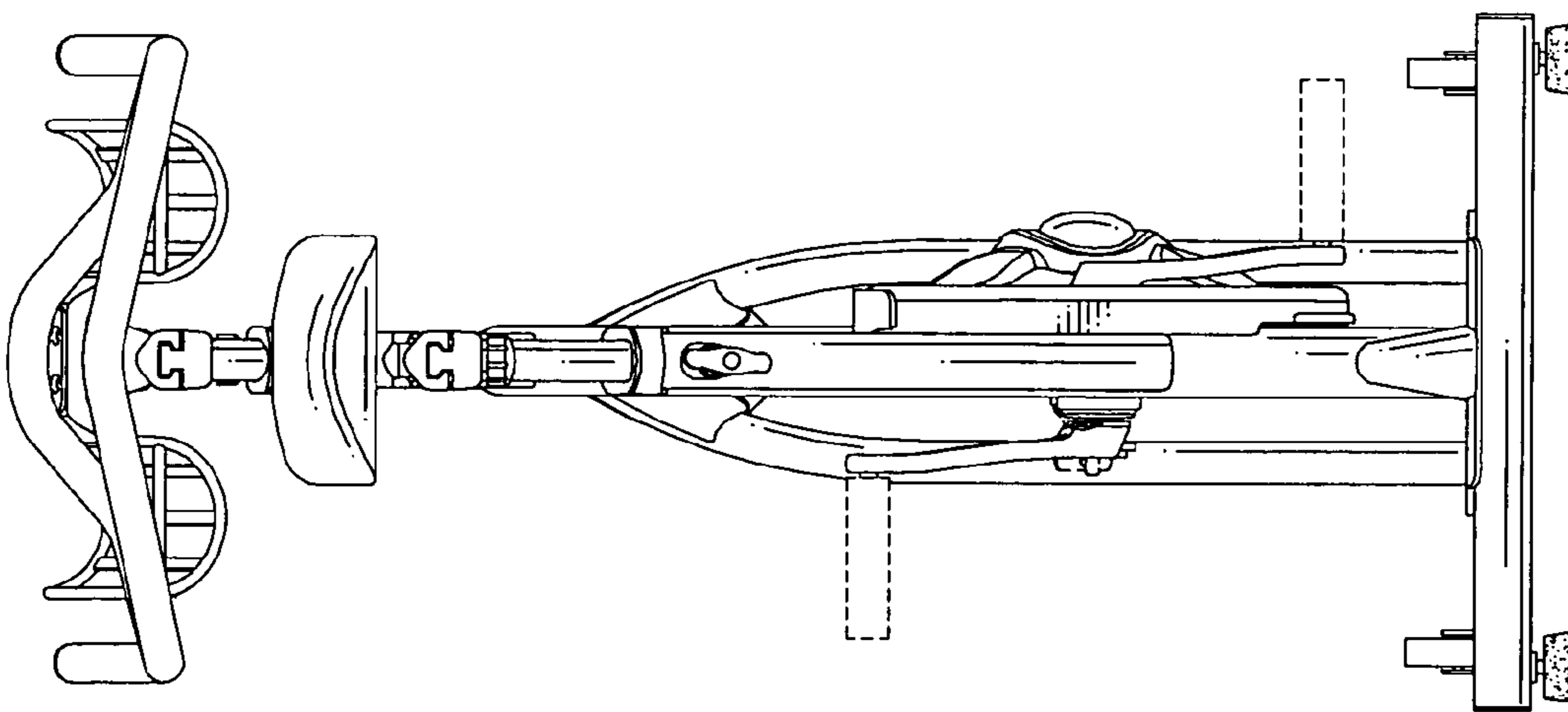


FIG. 4

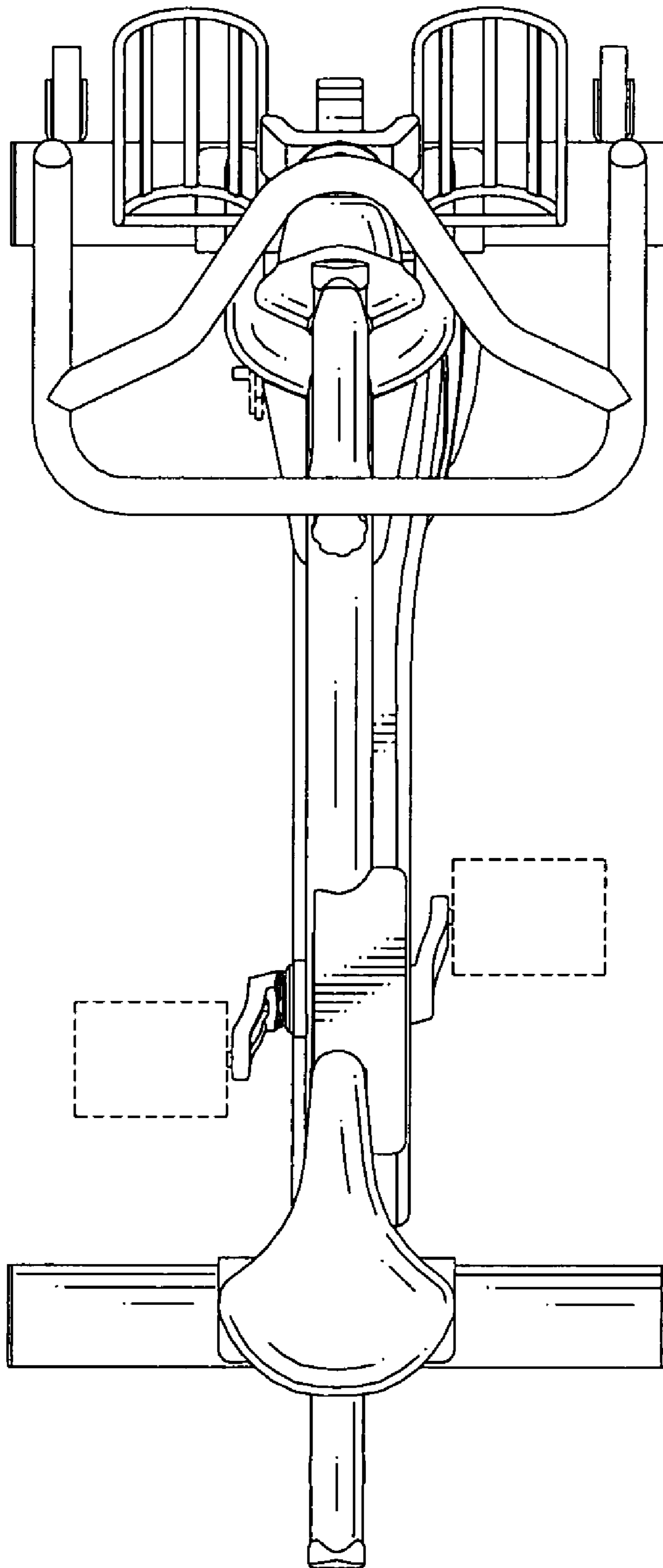


FIG. 6

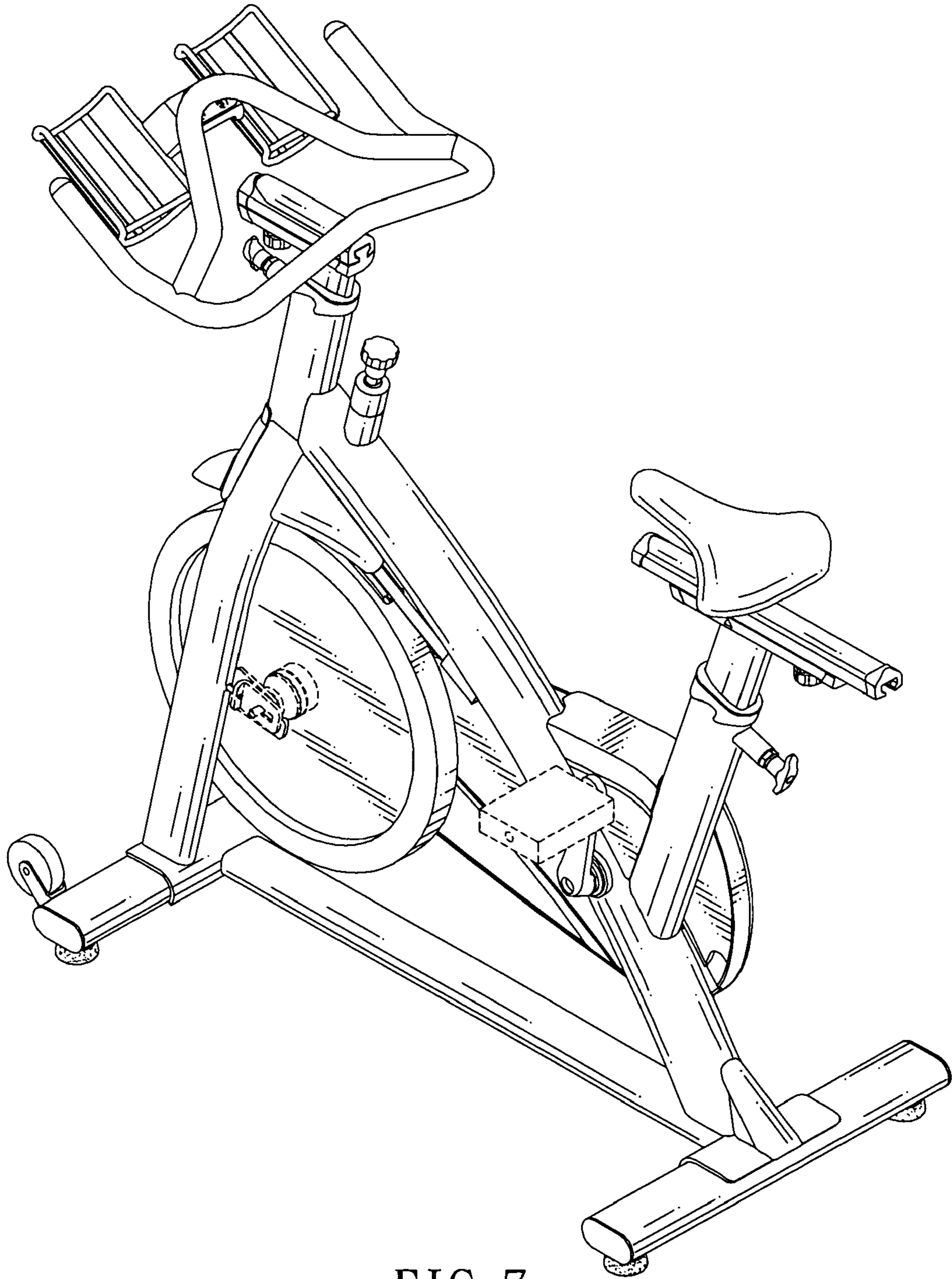


FIG. 7