



US00D636446S

(12) **United States Design Patent**
Kino

(10) **Patent No.:** **US D636,446 S**
(45) **Date of Patent:** **** Apr. 19, 2011**

(54) **TOY SCOOP**

D546,643 S * 7/2007 Shan D8/10
D556,009 S * 11/2007 Settles D8/107
D614,010 S * 4/2010 Hyp D8/107

(75) Inventor: **Takashi Kino**, Yokohama (JP)

(73) Assignee: **Royal Co., Ltd.** (JP)

(**) Term: **14 Years**

(21) Appl. No.: **29/364,392**

(22) Filed: **Jun. 23, 2010**

(30) **Foreign Application Priority Data**

Dec. 24, 2009 (JP) 2009-030010

(51) **LOC (9) Cl.** **21-01**

(52) **U.S. Cl.** **D21/532**; D8/10

(58) **Field of Classification Search** D21/398,
D21/472, 483, 532; D8/10, 300, 305; D7/401.2,
D7/691; D4/107, 124, 138; 30/324-328;
294/49, 51, 55; 446/144
See application file for complete search history.

(56) **References Cited**

U.S. PATENT DOCUMENTS

D272,552 S * 2/1984 Clanton D21/532
D346,186 S * 4/1994 Kino D21/532
D346,187 S * 4/1994 Kino D21/532
D350,166 S * 8/1994 Kino D21/532
D352,974 S * 11/1994 Kino D21/532
D356,349 S * 3/1995 Kino D21/532
D375,332 S * 11/1996 Kino D21/532
D387,957 S * 12/1997 Keller et al. D7/691
D395,928 S * 7/1998 Frelander D21/532
D464,856 S * 10/2002 Lai D8/10
D483,630 S * 12/2003 Choi D8/10
D546,642 S * 7/2007 Shan D8/10

FOREIGN PATENT DOCUMENTS

EM 001121263-0001 * 5/2009
JP 920318 2/1995
JP 1135801 3/2002
JP 1380284 2/2010

OTHER PUBLICATIONS

Japanese Design Application No. 2009-30009, entitled "Toy Rake",
filed Dec. 24, 2009.

U.S. Appl. No. 29/364,393, entitled "Toy Rake", filed Jun. 23, 2010.

* cited by examiner

Primary Examiner — Cynthia M Chin

(74) *Attorney, Agent, or Firm* — SAIDMAN DesignLaw
Group

(57) **CLAIM**

The ornamental design for a toy scoop, as shown and
described.

DESCRIPTION

FIG. 1 is a perspective view of a toy scoop showing my new
design;

FIG. 2 is a front elevational view thereof, the opposite rear
elevational view being a mirror image thereof;

FIG. 3 is a top plan view thereof;

FIG. 4 is a bottom plan view thereof;

FIG. 5 is a left side view thereof; and,

FIG. 6 is a right side view thereof.

The broken lines are for the purpose of illustrating portions of
the toy scoop and form no part of the claimed design.

1 Claim, 6 Drawing Sheets

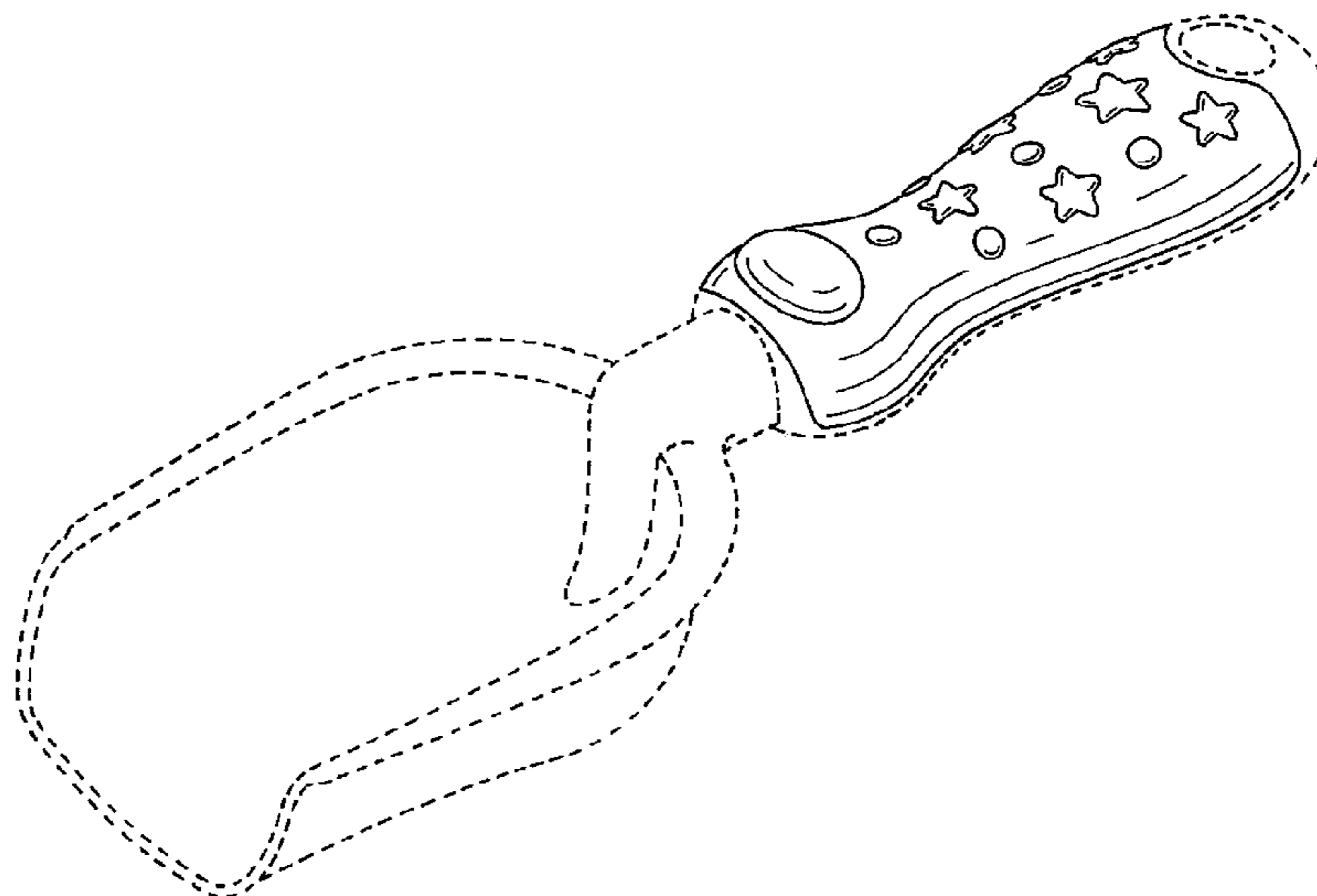


Fig. 1

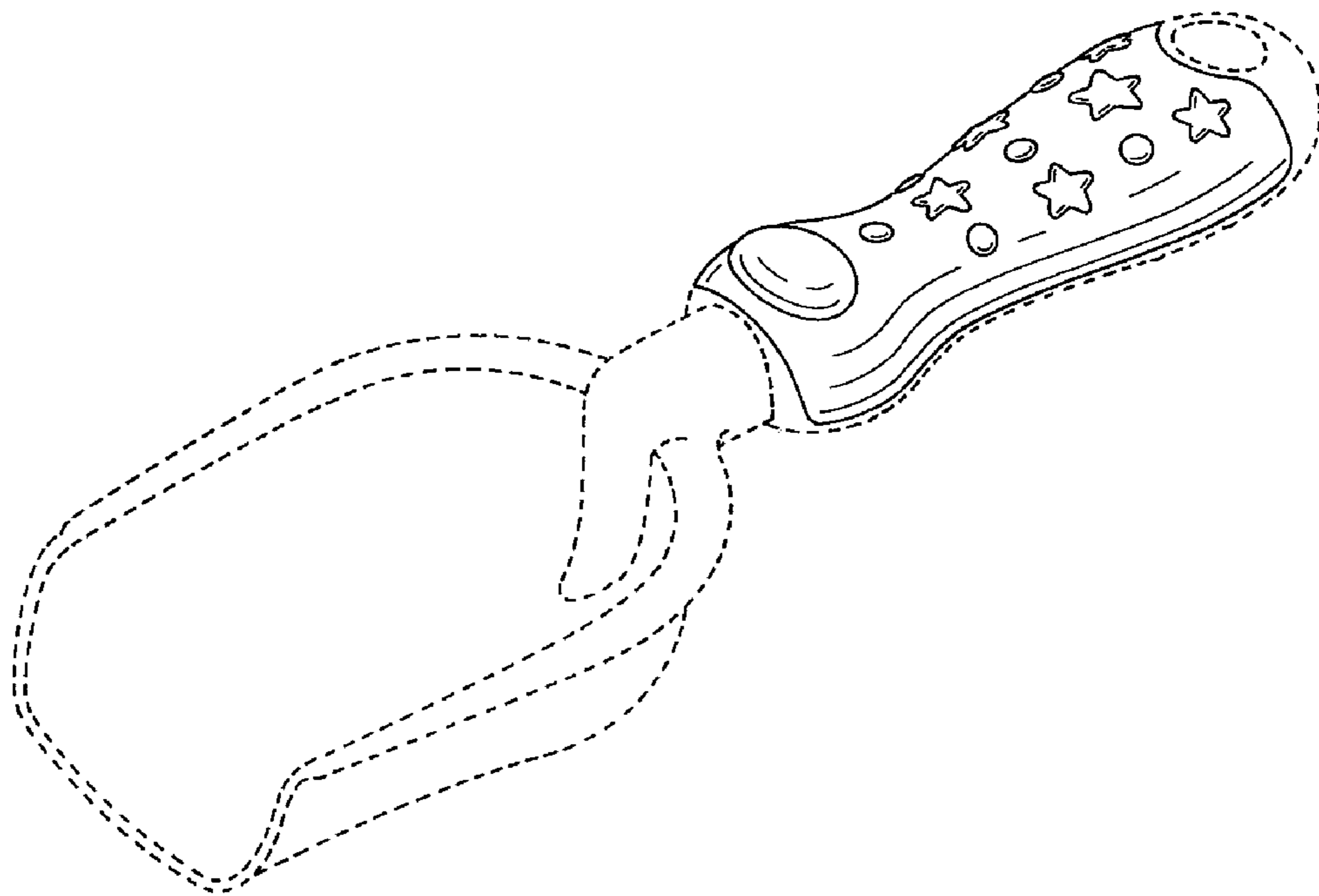


Fig. 2

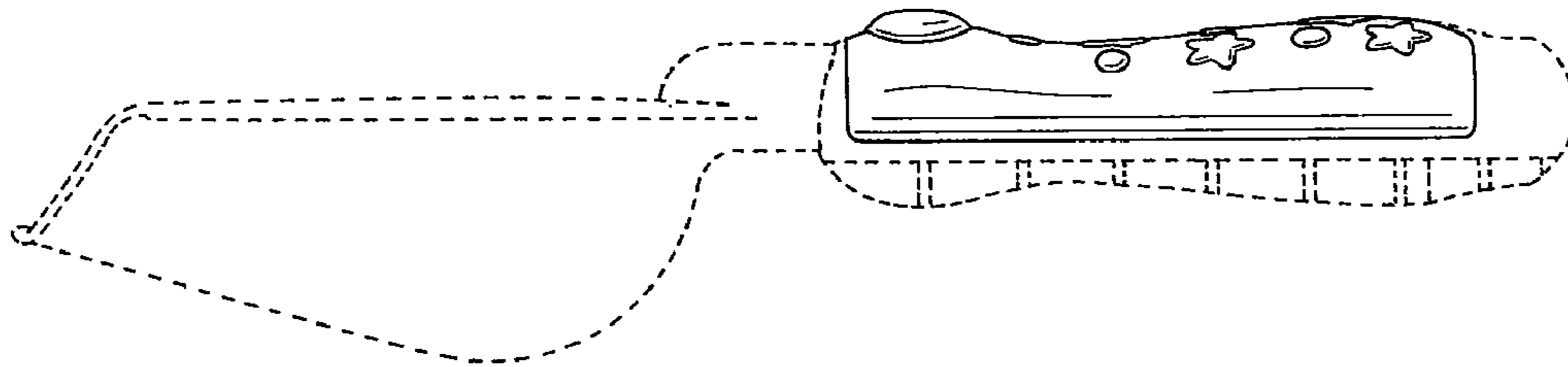


Fig. 3

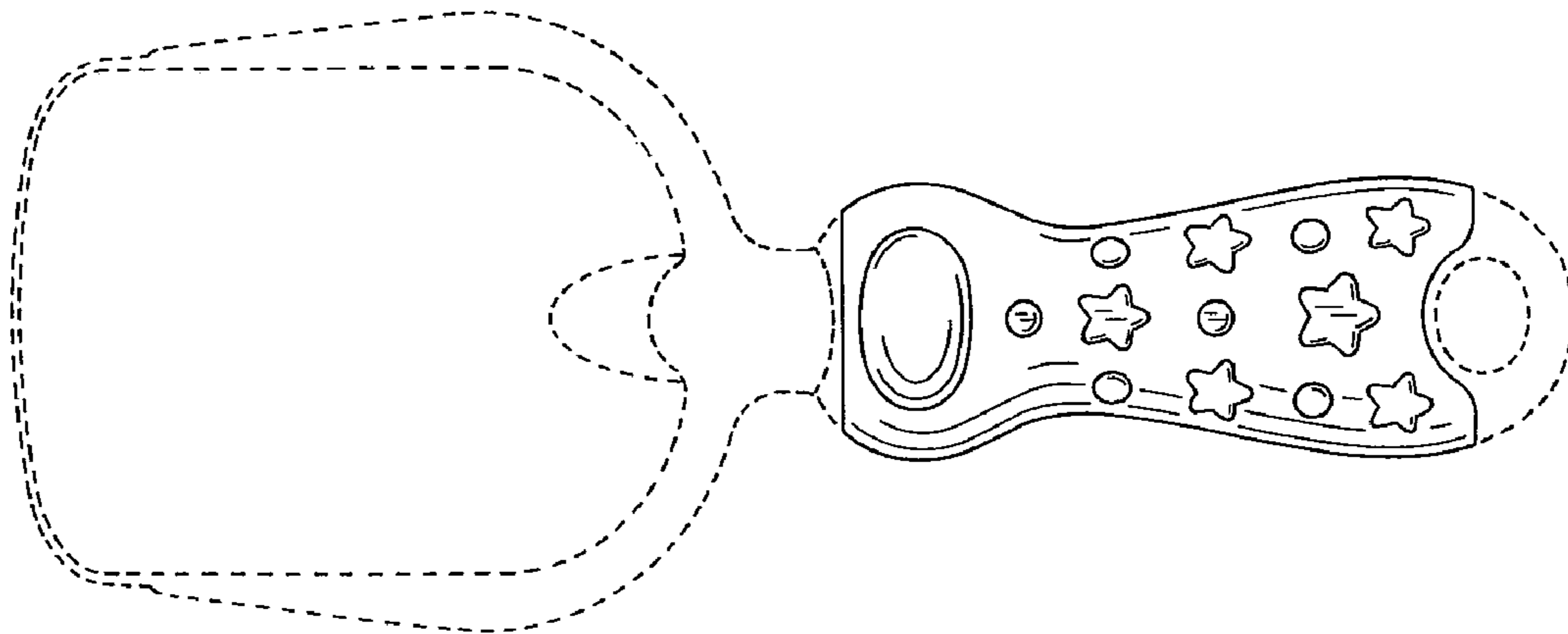


Fig. 4

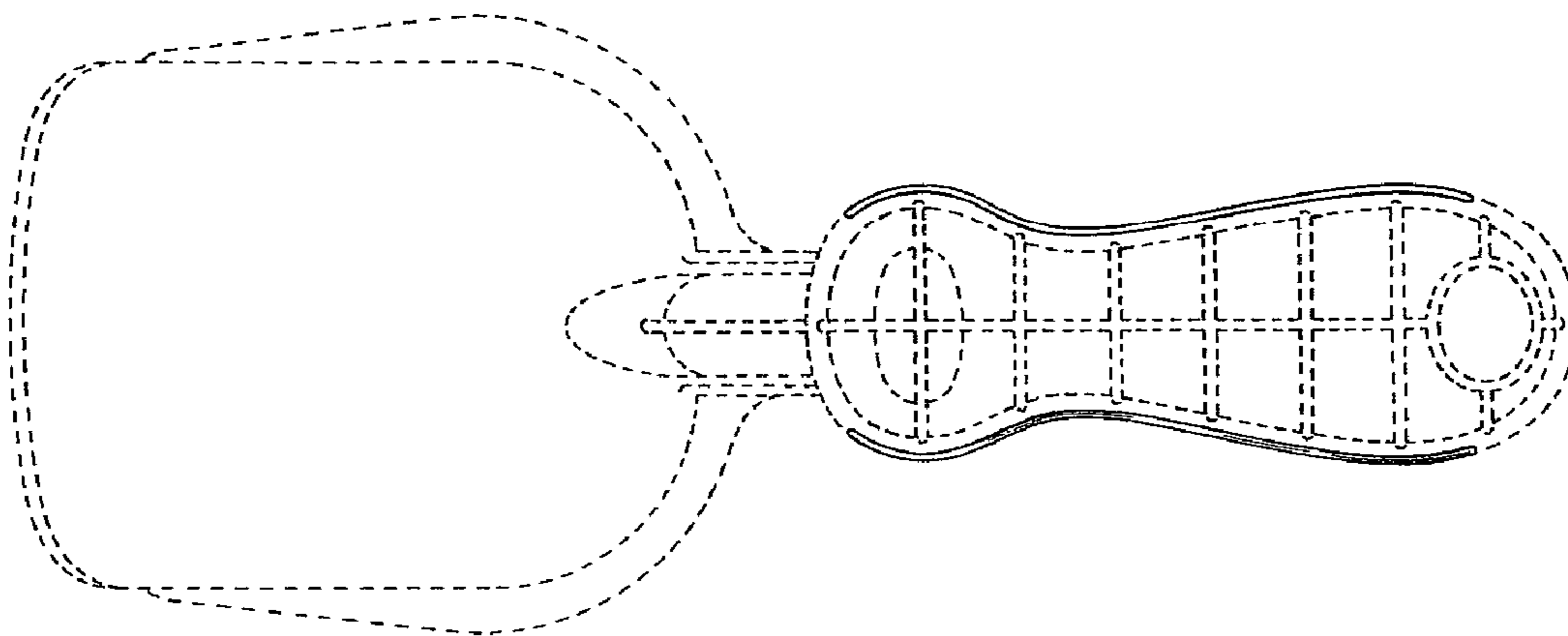


Fig. 5

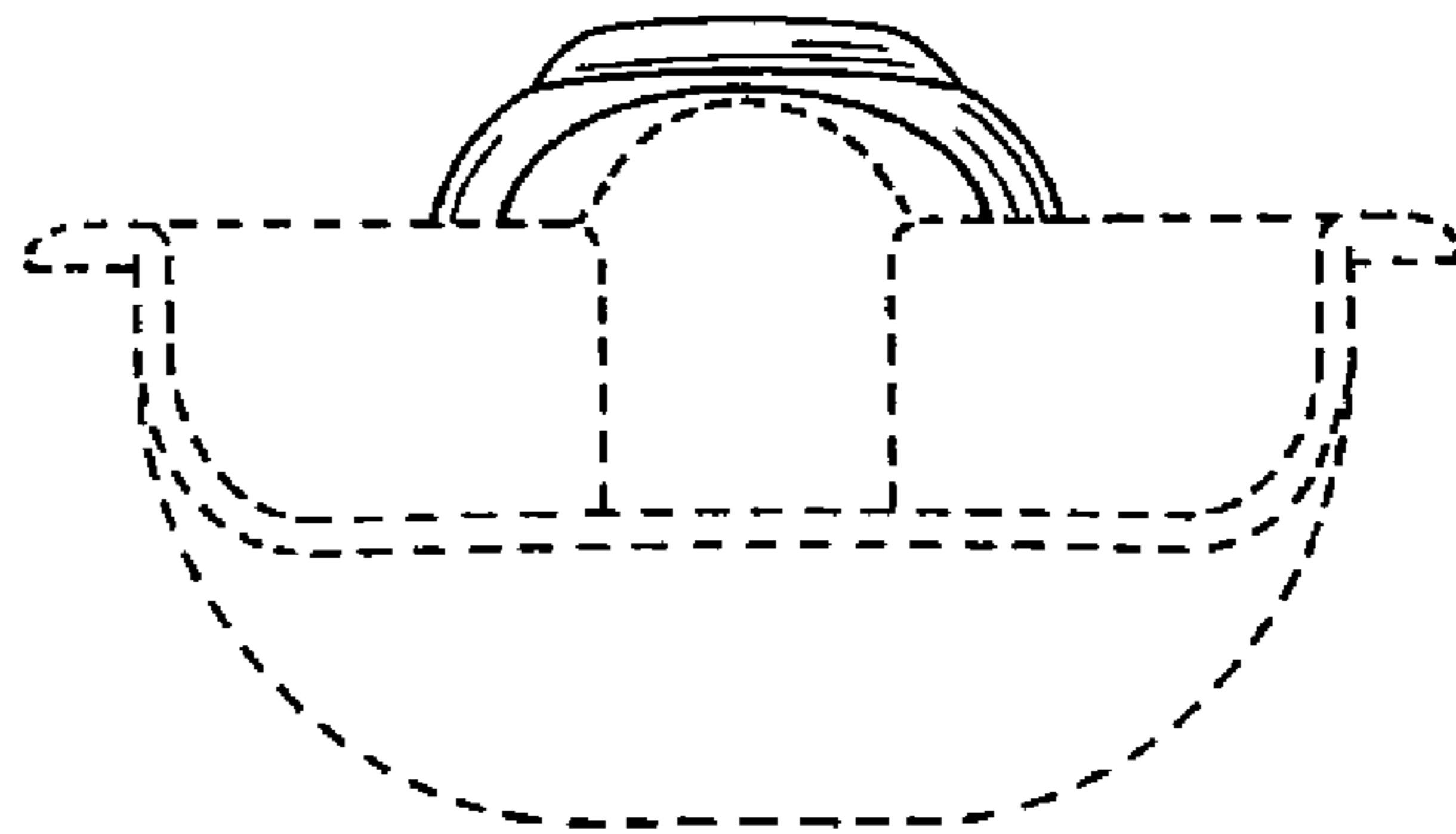


Fig. 6

