



US00D636444S

(12) **United States Design Patent**
Lo

(10) **Patent No.:** **US D636,444 S**

(45) **Date of Patent:** **** Apr. 19, 2011**

(54) **BUBBLE MACHINE**

(75) **Inventor:** **Lap Kiu Lo, Hong Kong (CN)**

(73) **Assignee:** **Wing Hing Manufacturing Co. Ltd.,
Hong Kong (CN)**

(**) **Term:** **14 Years**

(21) **Appl. No.:** **29/358,243**

(22) **Filed:** **Mar. 24, 2010**

(51) **LOC (9) Cl.** **21-01**

(52) **U.S. Cl.** **D21/401; D21/592; D21/650**

(58) **Field of Classification Search** **D21/398,
D21/401, 405, 406, 419, 421, 426, 428, 576-661;
446/15-21, 72-78, 176, 178, 217, 218, 236-238,
446/267, 269-294, 409, 411-414, 449, 450-453,
446/475, 487, 491; D34/4; D32/37; D99/38;
D3/371.2**

See application file for complete search history.

(56) **References Cited**

U.S. PATENT DOCUMENTS

1,223,372	A *	4/1917	Zerega	446/292
D153,814	S *	5/1949	Margolis	D20/32
2,770,074	A *	11/1956	Jones et al.	446/442
3,197,918	A *	8/1965	Coggeshall	446/290
D216,820	S *	3/1970	Dunbar	D21/650
D222,842	S *	1/1972	Merck et al.	D34/4
4,173,096	A *	11/1979	Meyer et al.	446/289
D273,215	S *	3/1984	Sahler	D21/592
D278,736	S *	5/1985	Klawitter	D21/592
4,556,392	A *	12/1985	Chang	446/16
D282,943	S *	3/1986	Langton	D21/592
D320,053	S *	9/1991	Klawitter	D21/592
D349,136	S *	7/1994	Pachol et al.	D21/576

5,360,362	A *	11/1994	Cernansky et al.	446/16
D353,844	S *	12/1994	Chiang	D21/533
D409,715	S *	5/1999	Cruz et al.	D23/209
6,524,161	B1 *	2/2003	Asami	446/485
D527,678	S *	9/2006	Warner	D11/158
D528,536	S *	9/2006	Topping	D14/207
7,144,291	B2 *	12/2006	Thai	446/15
D566,796	S *	4/2008	Feeney	D21/630
7,470,165	B2 *	12/2008	Ivanic et al.	446/15
2002/0049021	A1 *	4/2002	Hornsby et al.	446/289

OTHER PUBLICATIONS

Early Learning Centre Internet Catalog; Streams of Bubbles; printed from www.elc.co.uk in Spring 2009.

* cited by examiner

Primary Examiner — Catherine Tuttle

(74) *Attorney, Agent, or Firm* — Baker & McKenzie LLP

(57) **CLAIM**

The ornamental design for a bubble machine, as shown and described.

DESCRIPTION

FIG. 1 is a perspective view of a bubble machine in accordance with my design;

FIG. 2 is a side elevation view thereof; the opposite view being a mirror image of that shown;

FIG. 3 is a front elevation view thereof;

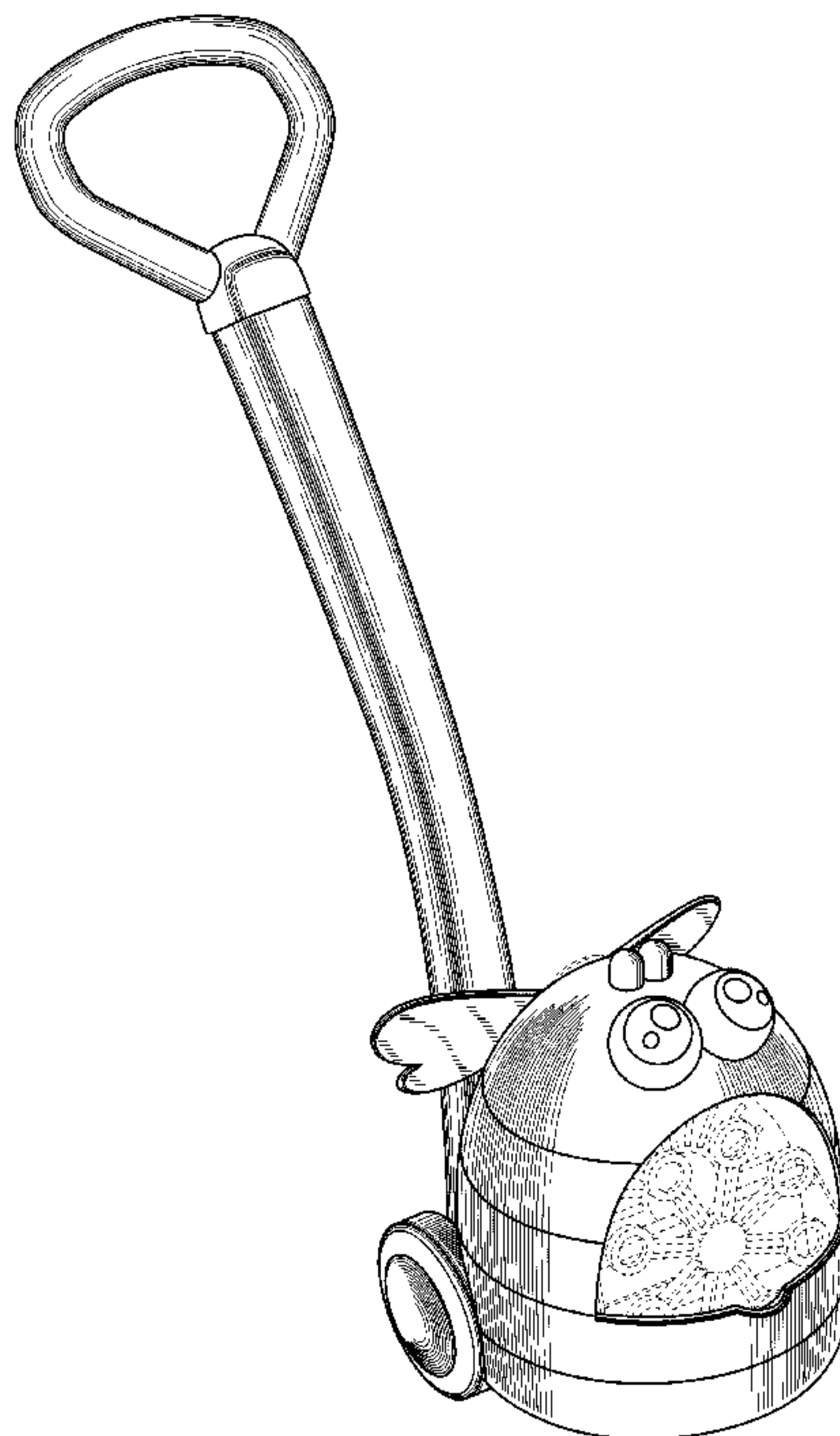
FIG. 4 is a back elevation view thereof;

FIG. 5 is a top plan view thereof; and,

FIG. 6 is a bottom plan view thereof.

The broken lines are included for the purpose of illustrating portions of the bubble machine that form no part of the claimed design.

1 Claim, 4 Drawing Sheets



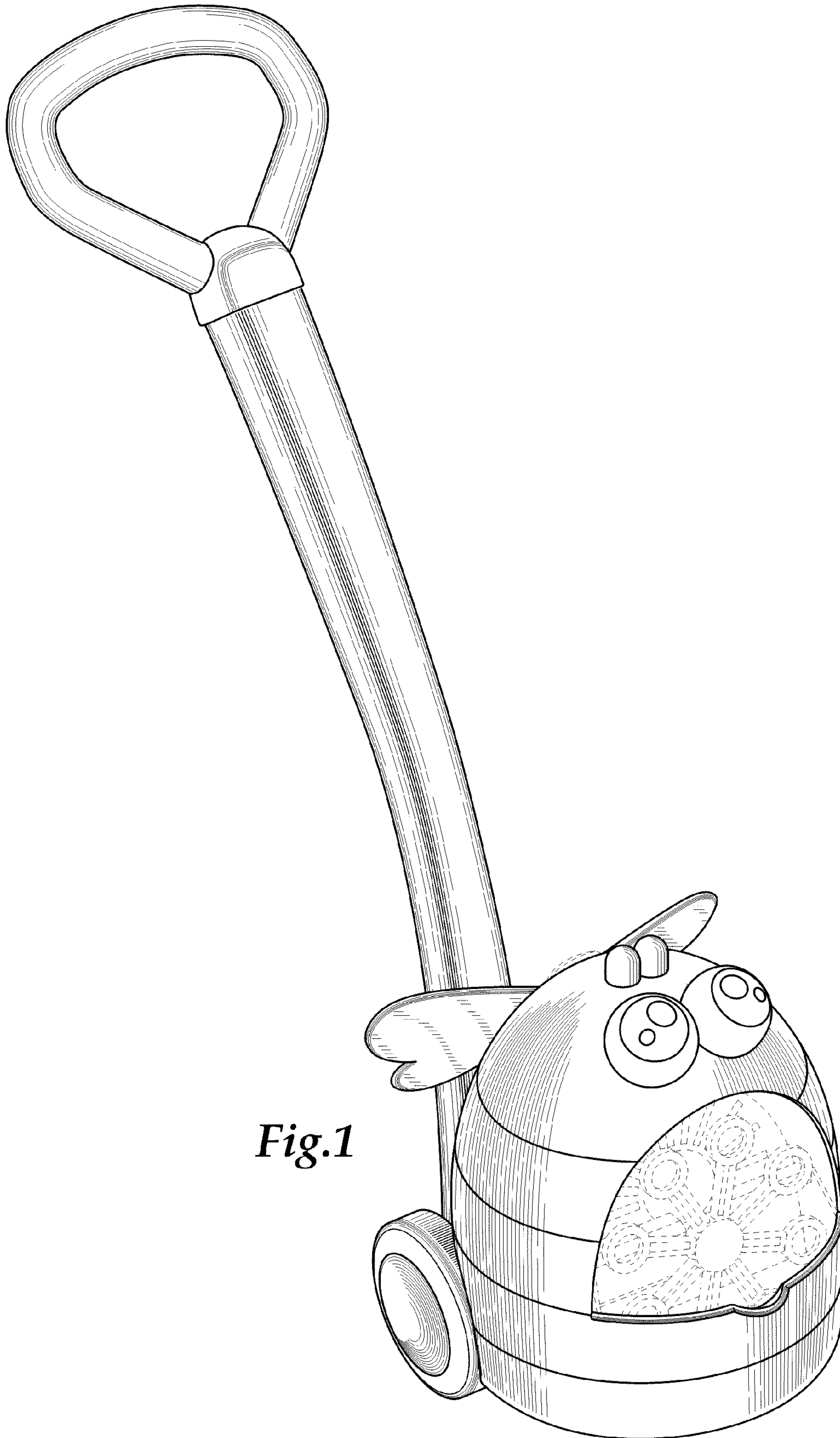


Fig. 1

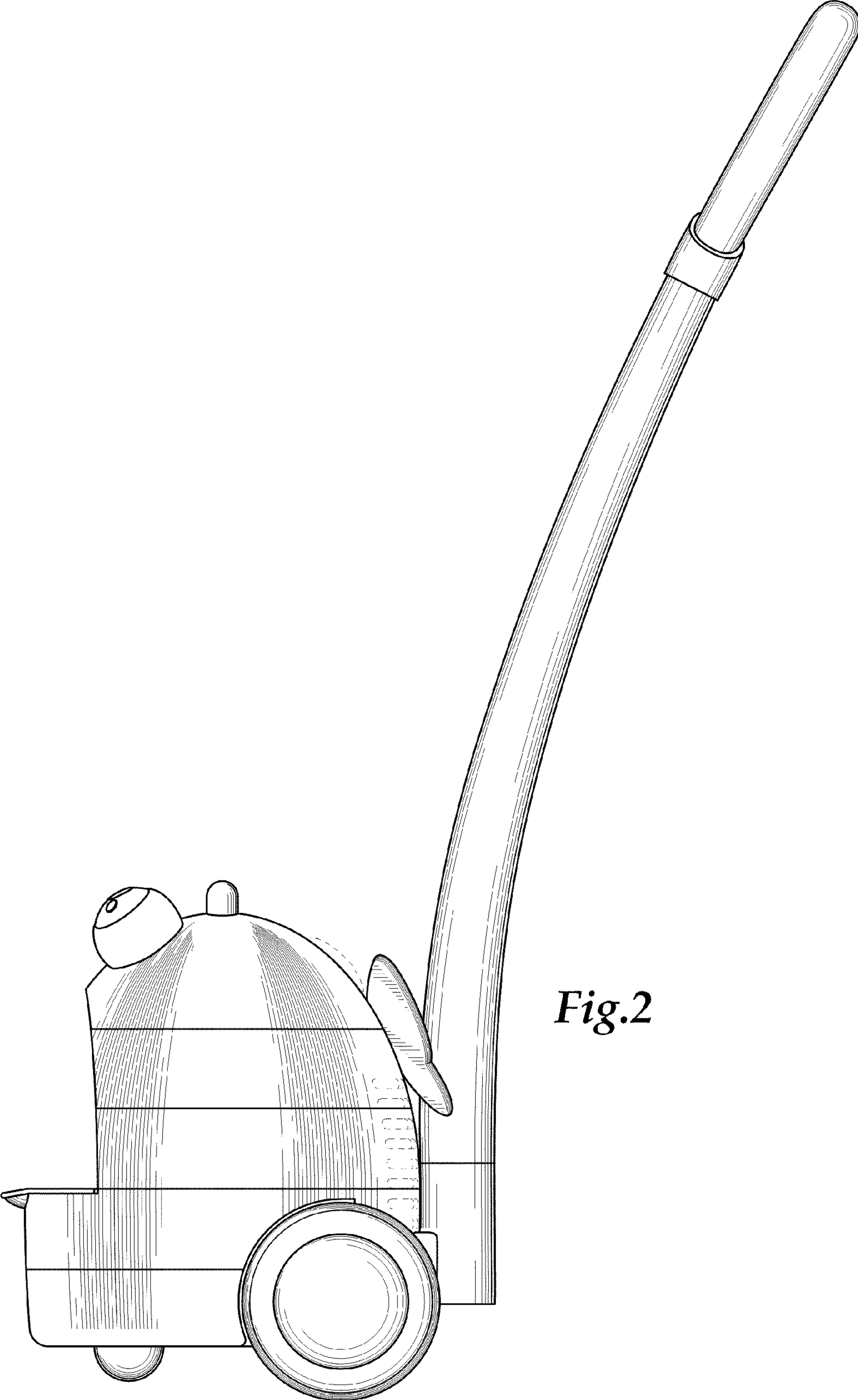


Fig.2

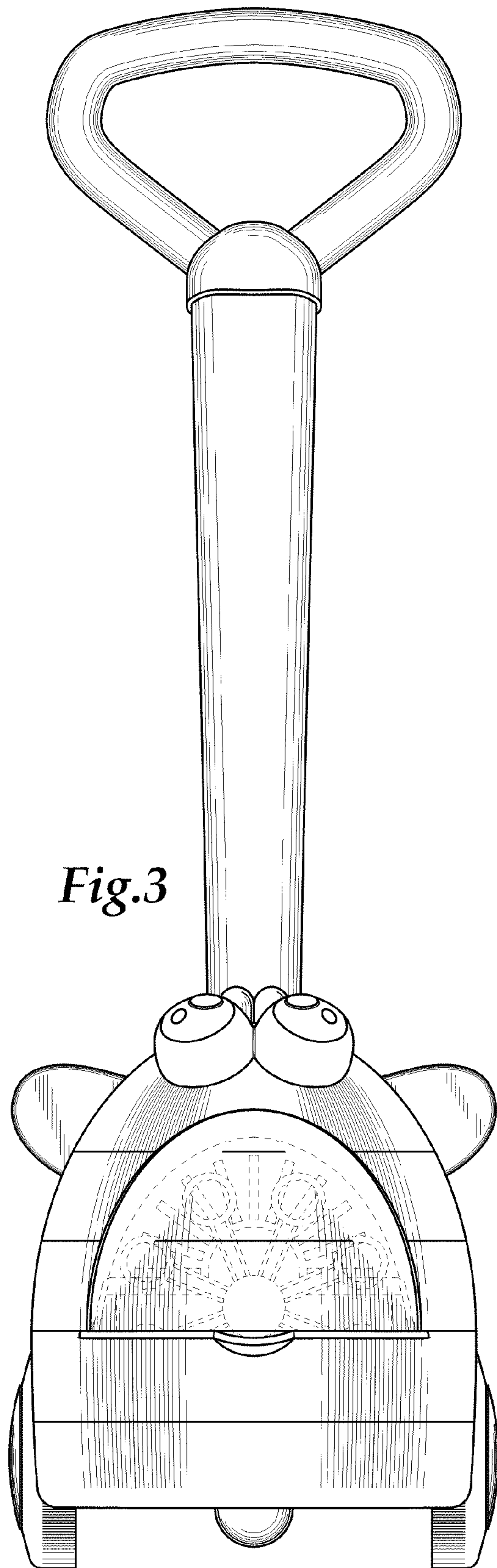


Fig.3

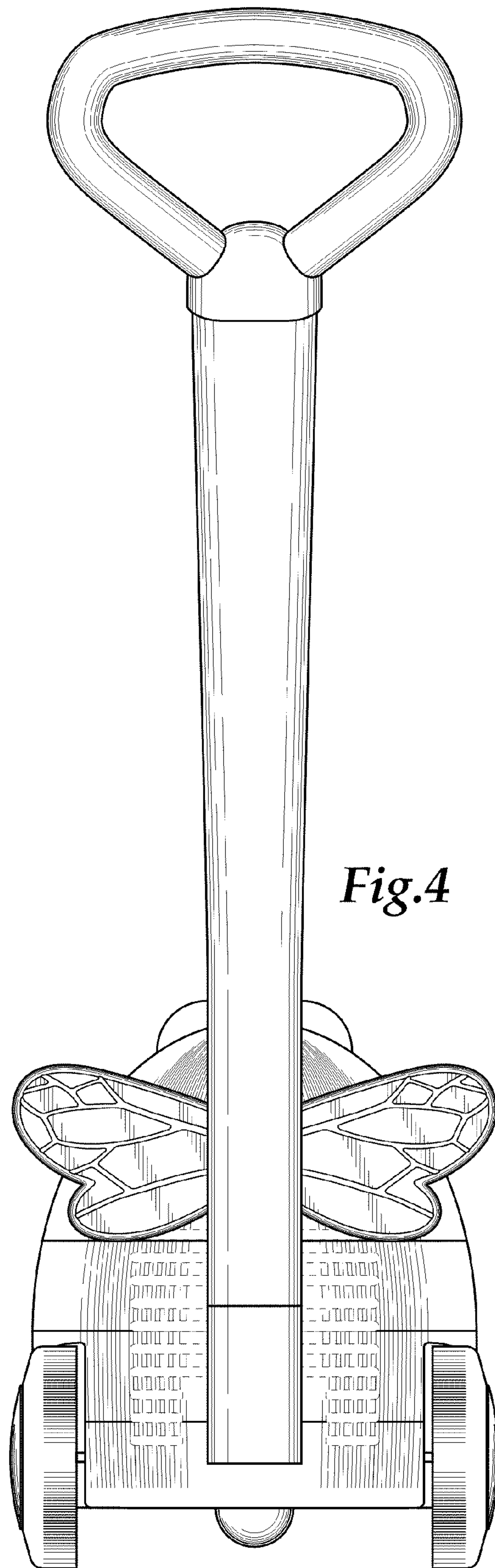


Fig.4

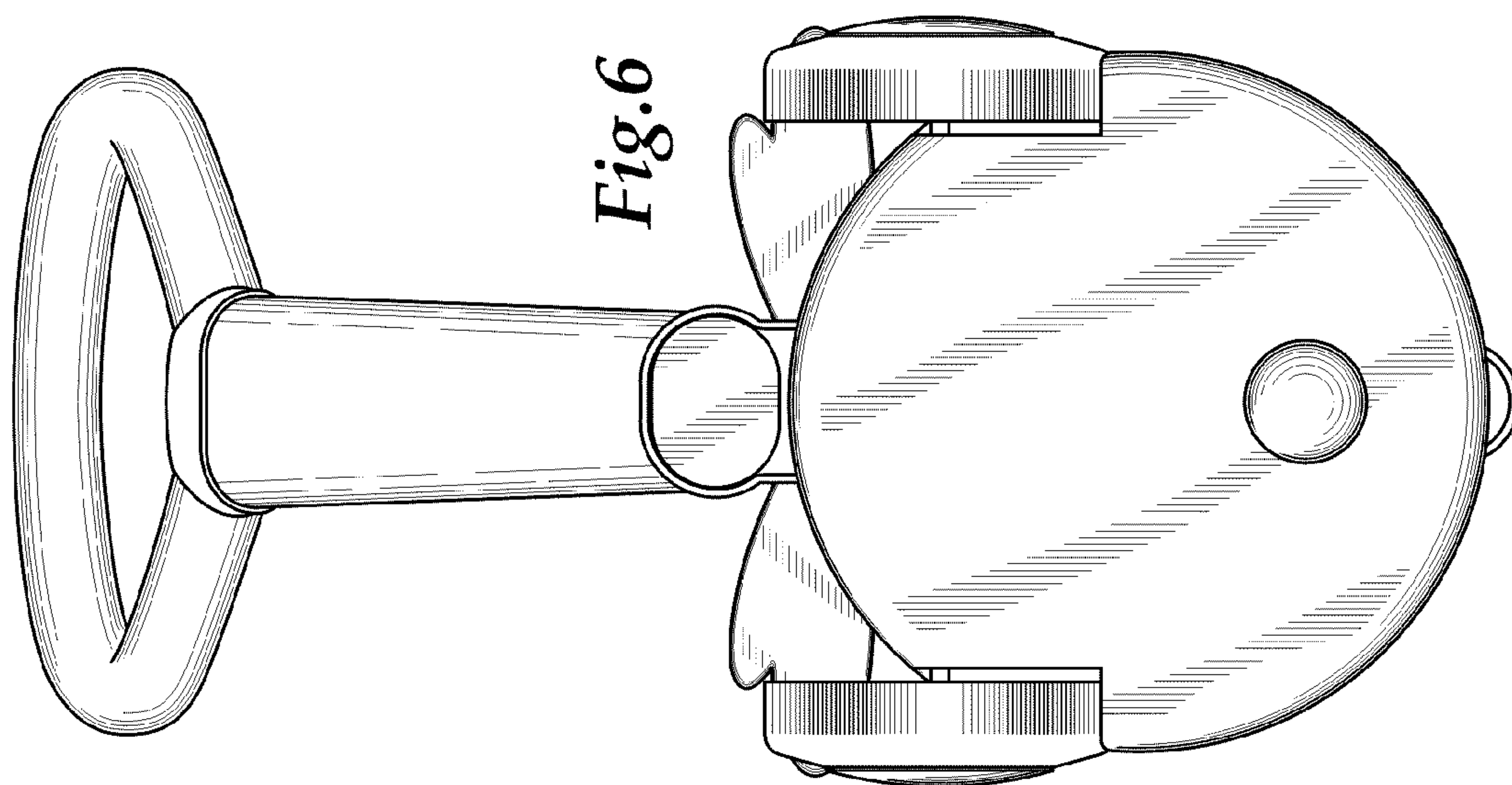


Fig. 6

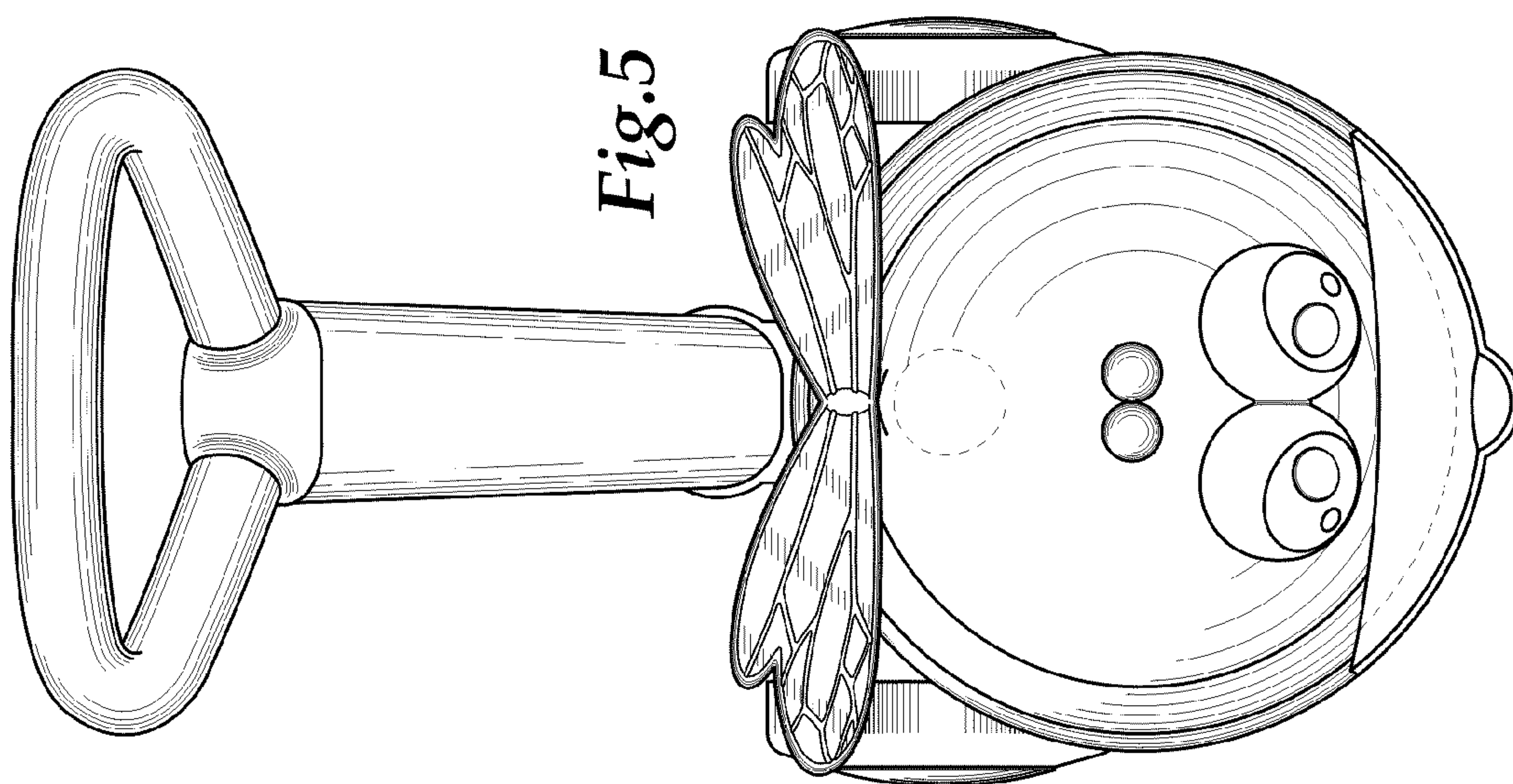


Fig. 5