



US00D636441S

(12) **United States Design Patent**
Potts

(10) **Patent No.:** **US D636,441 S**

(45) **Date of Patent:** **** Apr. 19, 2011**

(54) **SCOOTER MOUNTED ADVERTISING DISPLAY**

(76) Inventor: **Dale Potts**, Las Vegas, NV (US)

(**) Term: **14 Years**

(21) Appl. No.: **29/377,646**

(22) Filed: **Oct. 25, 2010**

(51) **LOC (9) Cl.** **20-03**

(52) **U.S. Cl.** **D20/19; D20/41**

(58) **Field of Classification Search** D20/10,
D20/18, 19, 21, 39-43, 99; 40/446, 538,
40/541, 584, 588-592, 606.01, 606.03, 606.13-606.16,
40/606.19, 607.01-607.09, 607.1, 608, 611.05;
D6/449; D10/109, 113; D12/101, 400, 407;
362/812

See application file for complete search history.

(56) **References Cited**

U.S. PATENT DOCUMENTS

1,852,315	A	*	4/1932	Lamb	40/611.05
D242,581	S	*	11/1976	Morris, Jr.	D20/10
D413,632	S	*	9/1999	Saunders	D20/41
D414,816	S	*	10/1999	Saunders	D20/41
D555,044	S	*	11/2007	Balschait	D12/101

D594,675	S	*	6/2009	Cahaly	D6/449
D615,440	S	*	5/2010	Kelley	D10/113
D616,030	S	*	5/2010	Mallard	D20/19
2006/0191180	A1	*	8/2006	Williams et al.	40/591

* cited by examiner

Primary Examiner — Mary Ann Calabrese

(74) *Attorney, Agent, or Firm* — Larson & Larson, P.A.;
Frank Liebenow; Justin Miller

(57) **CLAIM**

I claim the ornamental design for a scooter mounted advertising display, as shown and described.

DESCRIPTION

FIG. 1 is a front elevation view of the scooter mounted advertising display showing my novel design; FIG. 2 is a rear elevation view thereof; FIG. 3 is a left side view thereof; FIG. 4 is a right side view thereof; FIG. 5 is a top plan view thereof; FIG. 6 is a bottom plan view thereof; and, FIG. 7 is a perspective view thereof shown attached to a scooter. The broken lines shown in FIG. 7 are an illustration of a typical scooter onto which the scooter mounted advertising display is attached and form no part of the claimed design.

1 Claim, 4 Drawing Sheets

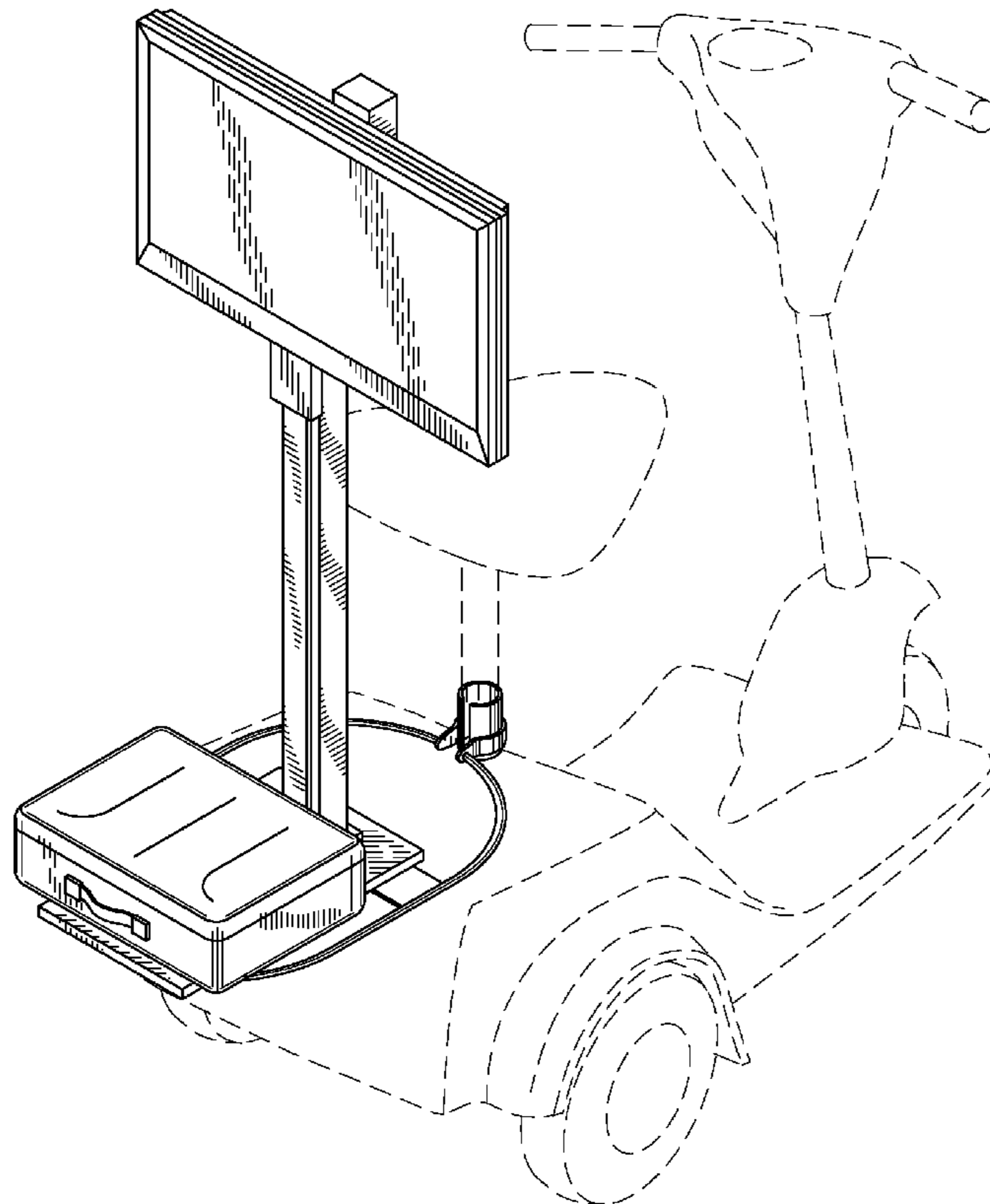


Fig. 1

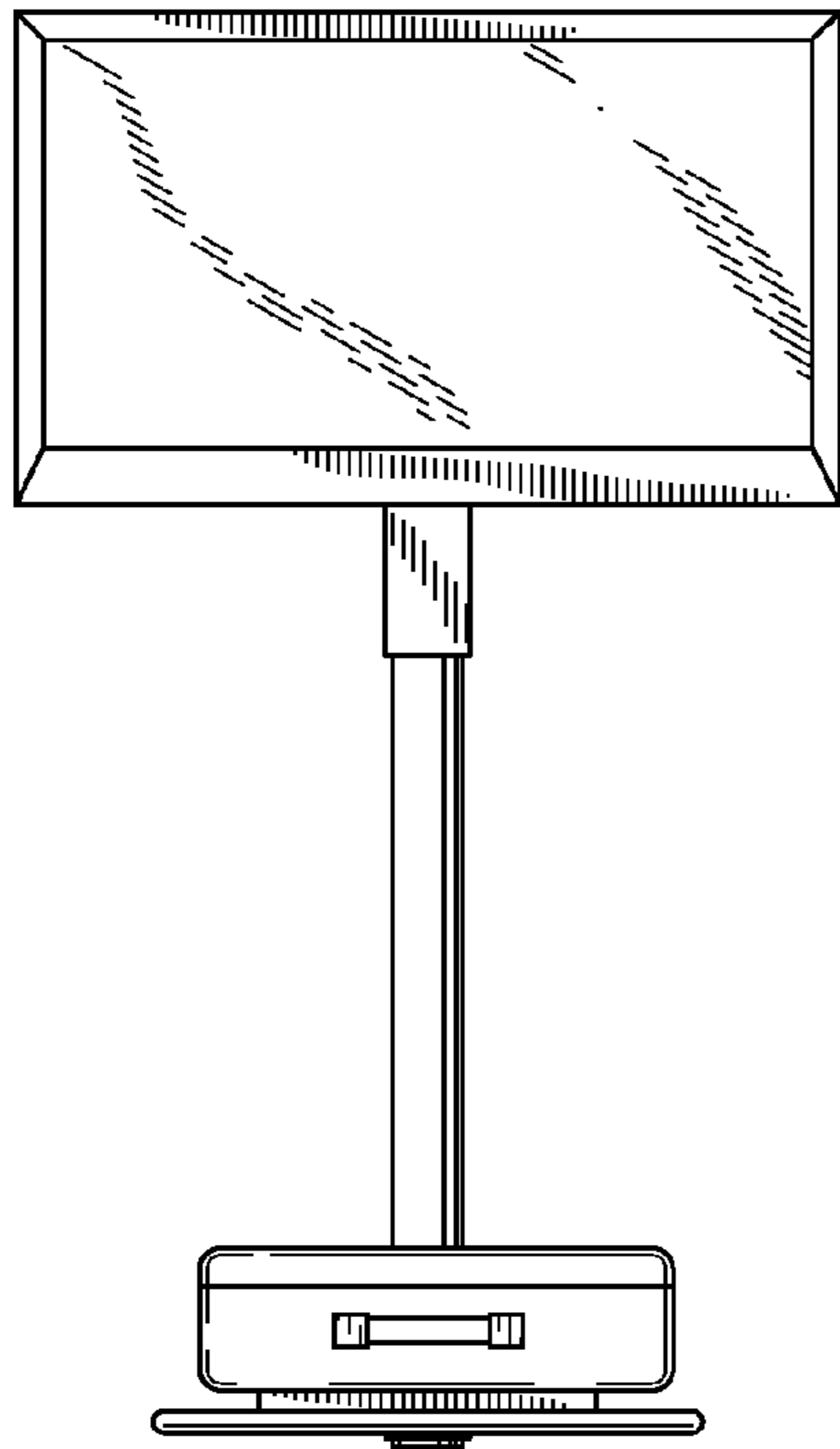


Fig. 2

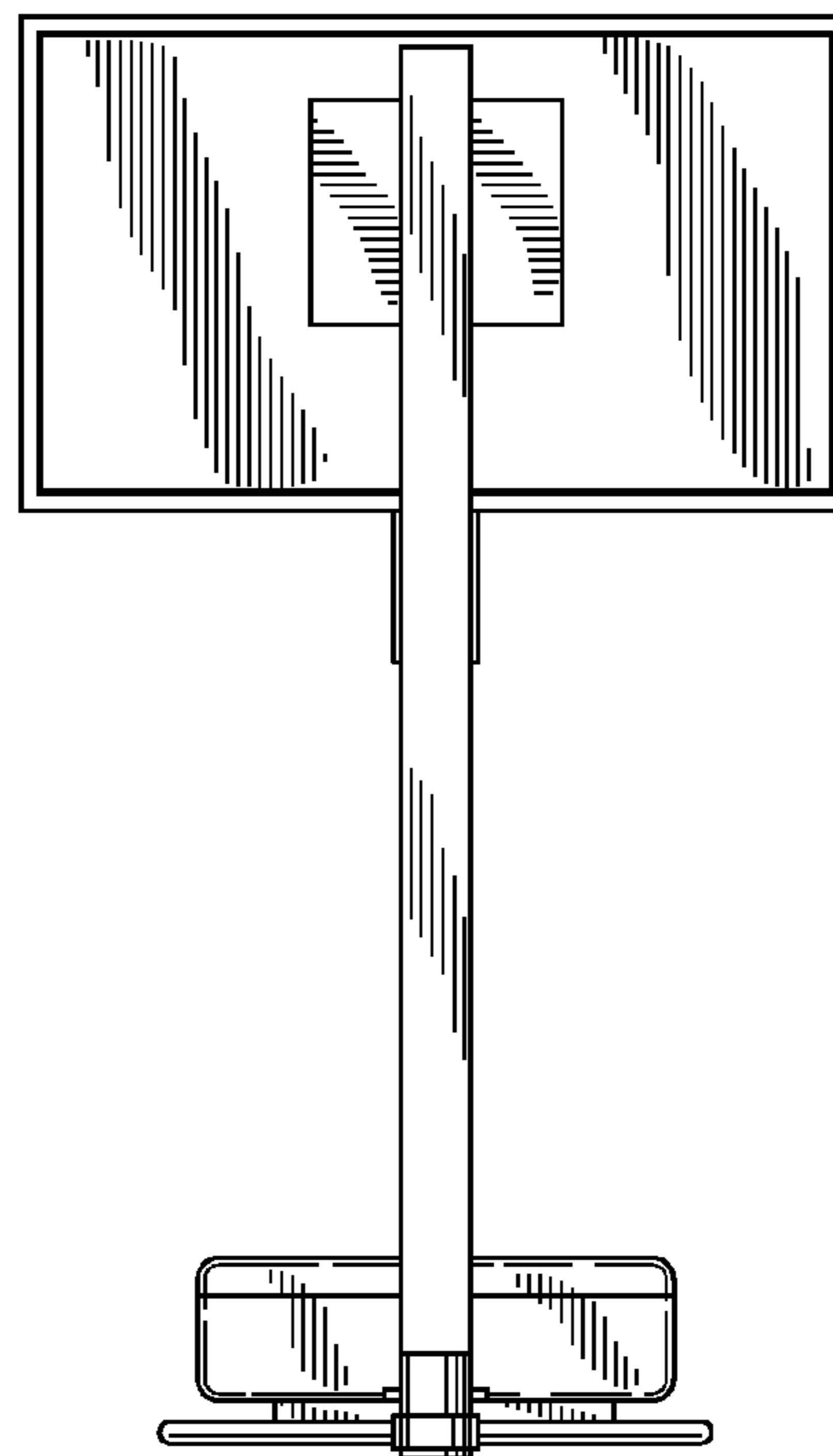


Fig. 3

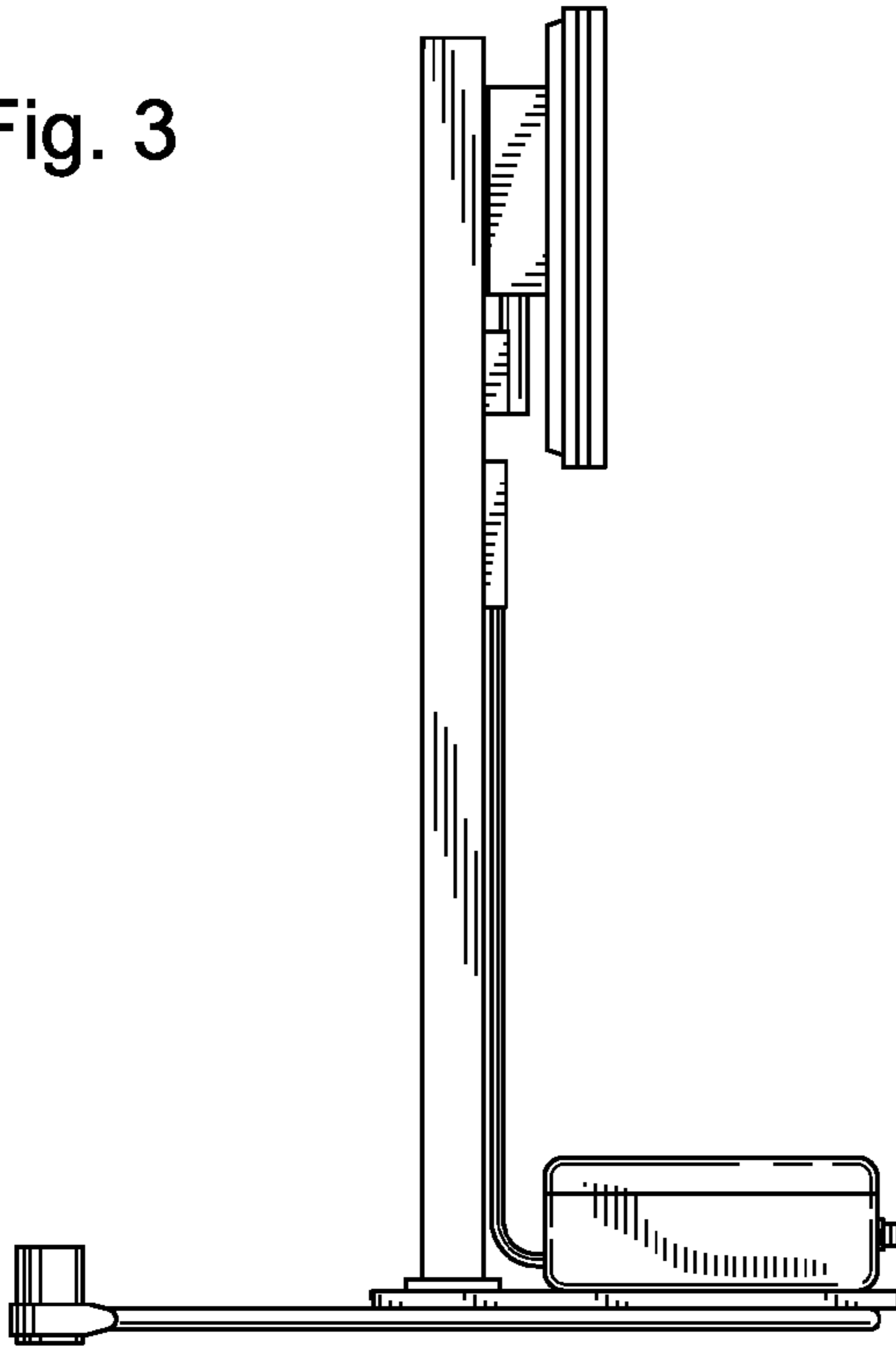


Fig. 4

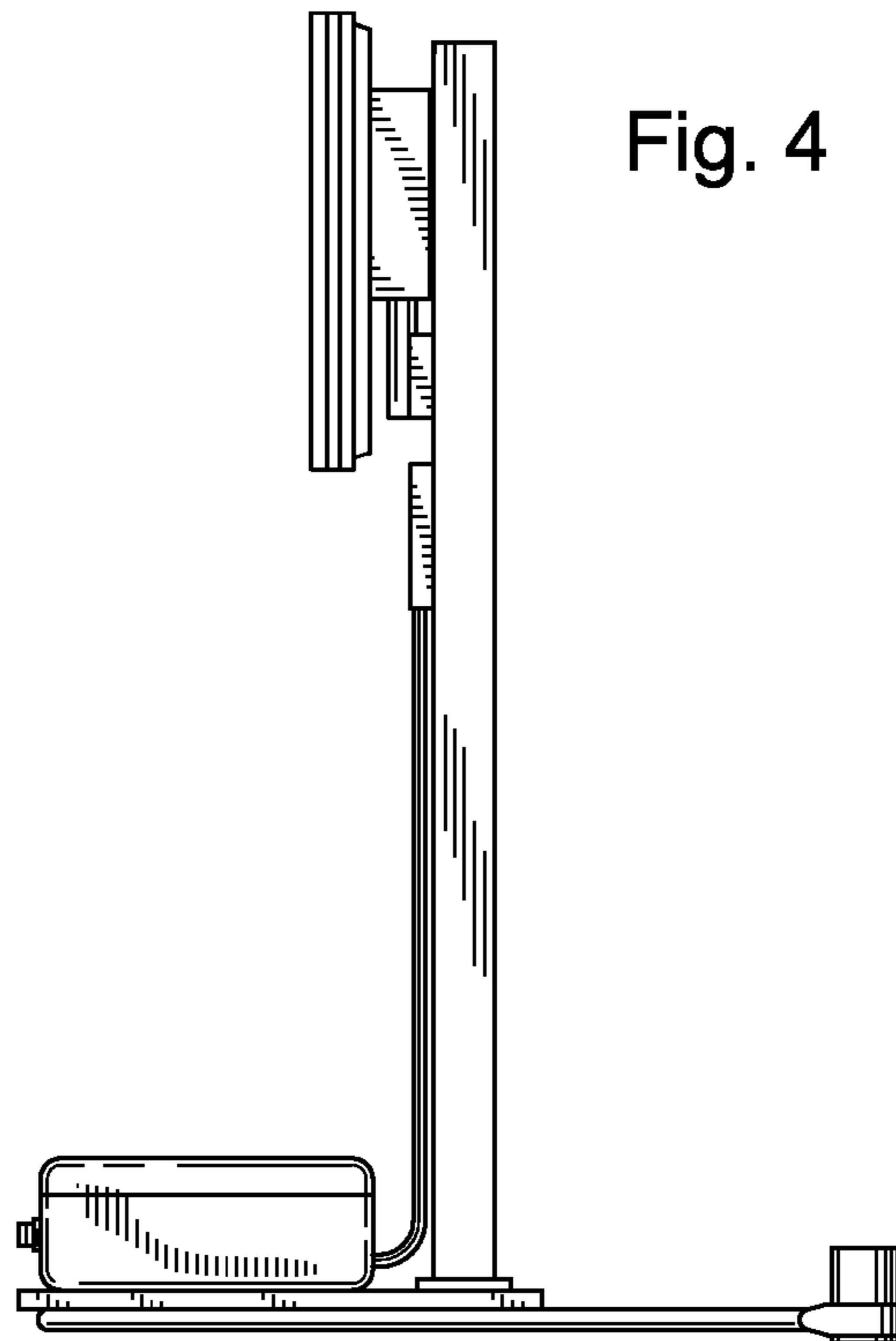


Fig. 5

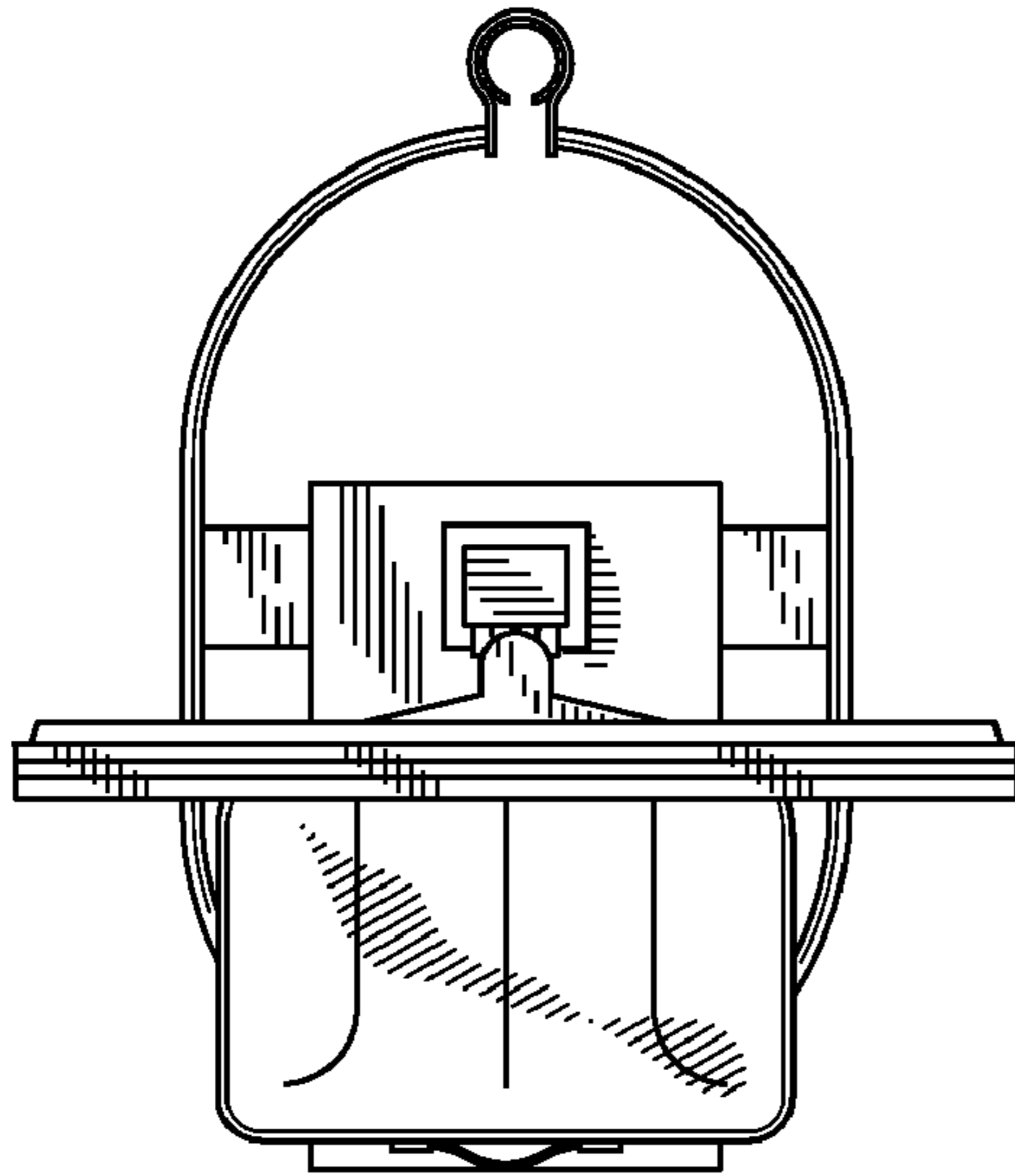


Fig. 6

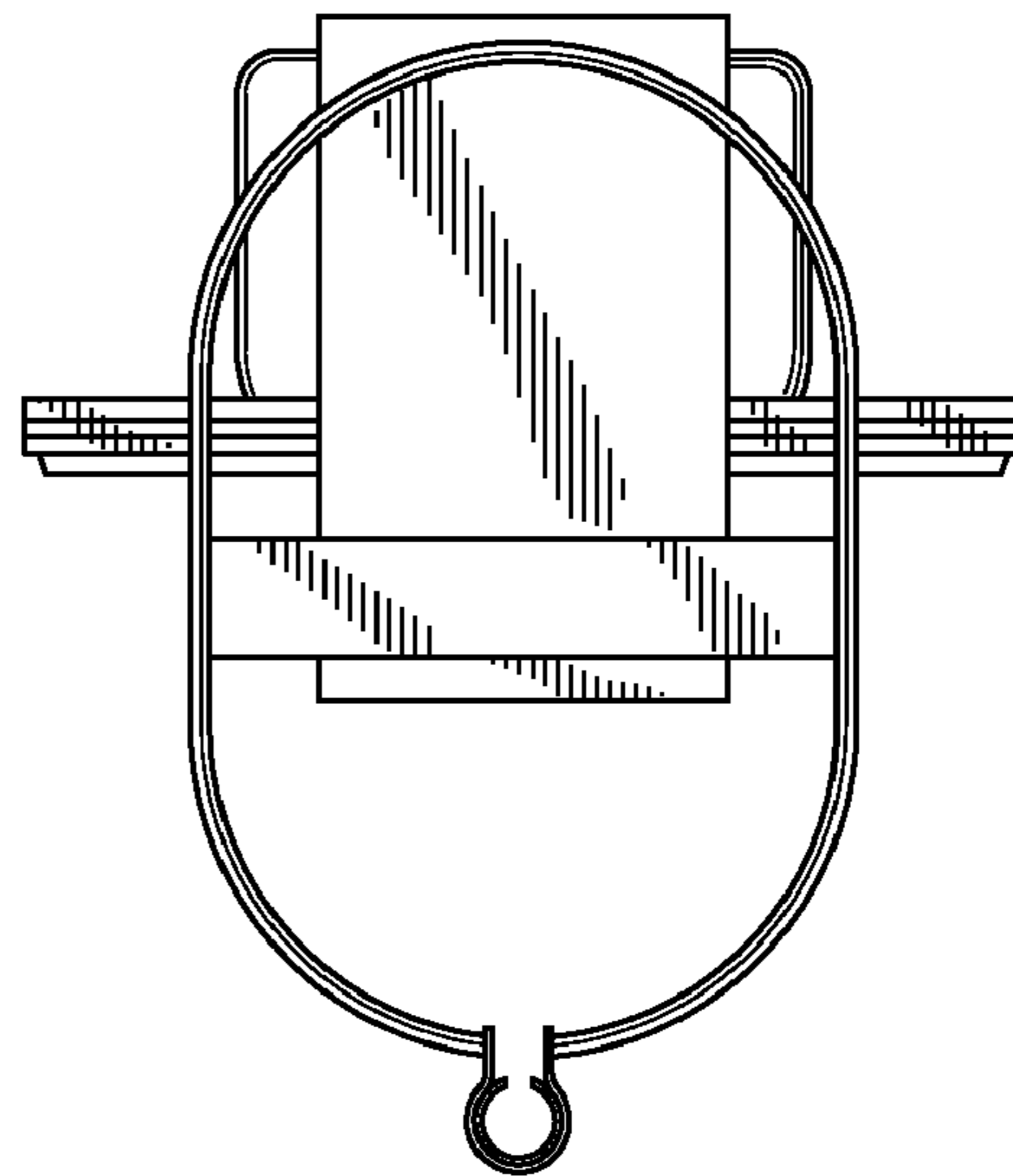


Fig. 7

