



US00D636440S

(12) **United States Design Patent**
Leung

(10) **Patent No.:** **US D636,440 S**

(45) **Date of Patent:** **** Apr. 19, 2011**

(54) **CLIPBOARD WITH CALCULATOR**

(75) Inventor: **Chan Siu Leung**, Kowloon (HK)

(73) Assignee: **Tung Yun International Limited**, Kwun Tong, Kowloon (HK)

(**) Term: **14 Years**

(21) Appl. No.: **29/352,065**

(22) Filed: **Dec. 15, 2009**

(51) **LOC (9) Cl.** **19-02**

(52) **U.S. Cl.** **D19/88**

(58) **Field of Classification Search** D3/273,
D3/294, 900; D8/395; D9/423, 432; D19/65,
D19/88; 206/215, 224, 371, 425; 220/812;
281/45; 312/231; 362/99; D18/2, 6, 7
See application file for complete search history.

(56) **References Cited**

U.S. PATENT DOCUMENTS

D262,151 S *	12/1981	Sussman	D28/83
D279,197 S *	6/1985	Chan	D18/2
D282,300 S *	1/1986	Bakic	D28/83
D284,678 S *	7/1986	Shamoon	D19/88
D284,976 S *	8/1986	Hung	D18/2
D285,392 S *	9/1986	Thompson	D6/399
D294,151 S *	2/1988	Kuo	D18/7
D294,282 S *	2/1988	Hung	D19/88
4,726,607 A *	2/1988	White	281/45
D294,573 S *	3/1988	Ohzu	D14/168
D295,873 S *	5/1988	Chan	D18/2
D295,983 S *	5/1988	Chu	D18/2
D296,220 S *	6/1988	Hung	D19/88
4,863,034 A *	9/1989	Contreras, Sr.	206/581
D308,692 S *	6/1990	Sakaguchi et al.	D18/7
D326,226 S *	5/1992	Gerhart	D9/423
D328,891 S *	8/1992	Sakaguchi et al.	D14/346
5,180,133 A *	1/1993	Chang	248/452
D341,626 S *	11/1993	Rosmarin et al.	D19/88
D350,148 S *	8/1994	Yubisui et al.	D18/7

D351,185 S *	10/1994	Matsuda et al.	D18/2
5,353,947 A *	10/1994	Zinnbauer et al.	220/812
D353,399 S *	12/1994	Dodge	D19/88
D364,397 S *	11/1995	Bedol	D14/458
D372,495 S *	8/1996	Godfrey et al.	D19/27
D386,967 S *	12/1997	Alarcon	D9/432
5,758,902 A *	6/1998	McManus	281/45
D410,945 S *	6/1999	Chu	D18/2
D416,586 S *	11/1999	Landauer	D19/88
D433,773 S *	11/2000	Gavin	D28/83
D468,524 S *	1/2003	Sinton et al.	D3/203.2
D476,358 S *	6/2003	Shamoon	D18/2
D500,204 S *	12/2004	Hillman	D3/301
D518,525 S *	4/2006	Bhavnani	D19/88
D552,465 S *	10/2007	Ringo	D9/415
D558,757 S *	1/2008	Andre et al.	D14/341
D572,309 S *	7/2008	Bhavnani	D19/88
D572,310 S *	7/2008	Sandy	D19/88
D595,712 S *	7/2009	Guery et al.	D14/341
D617,789 S *	6/2010	Akana et al.	D14/318
D618,240 S *	6/2010	Larmour et al.	D14/358
D627,343 S *	11/2010	Andre et al.	D14/341
D627,769 S *	11/2010	Kumagai	D14/248
D627,773 S *	11/2010	Paek	D14/315

* cited by examiner

Primary Examiner — Elizabeth A Albert

(74) *Attorney, Agent, or Firm* — Law Offices of Thomas E. Schatzel, A Prof. Corp.

(57) **CLAIM**

The ornamental design for a clipboard with calculator, as shown and described.

DESCRIPTION

FIG. 1 is a top plan view of a clipboard with calculator;
FIG. 2 is a bottom plan view thereof;
FIG. 3 is an end view thereof;
FIG. 4 is an opposite end view thereof;
FIG. 5 is a top right-side perspective view thereof; and,
FIG. 6 is a bottom right-side perspective view thereof.

1 Claim, 4 Drawing Sheets

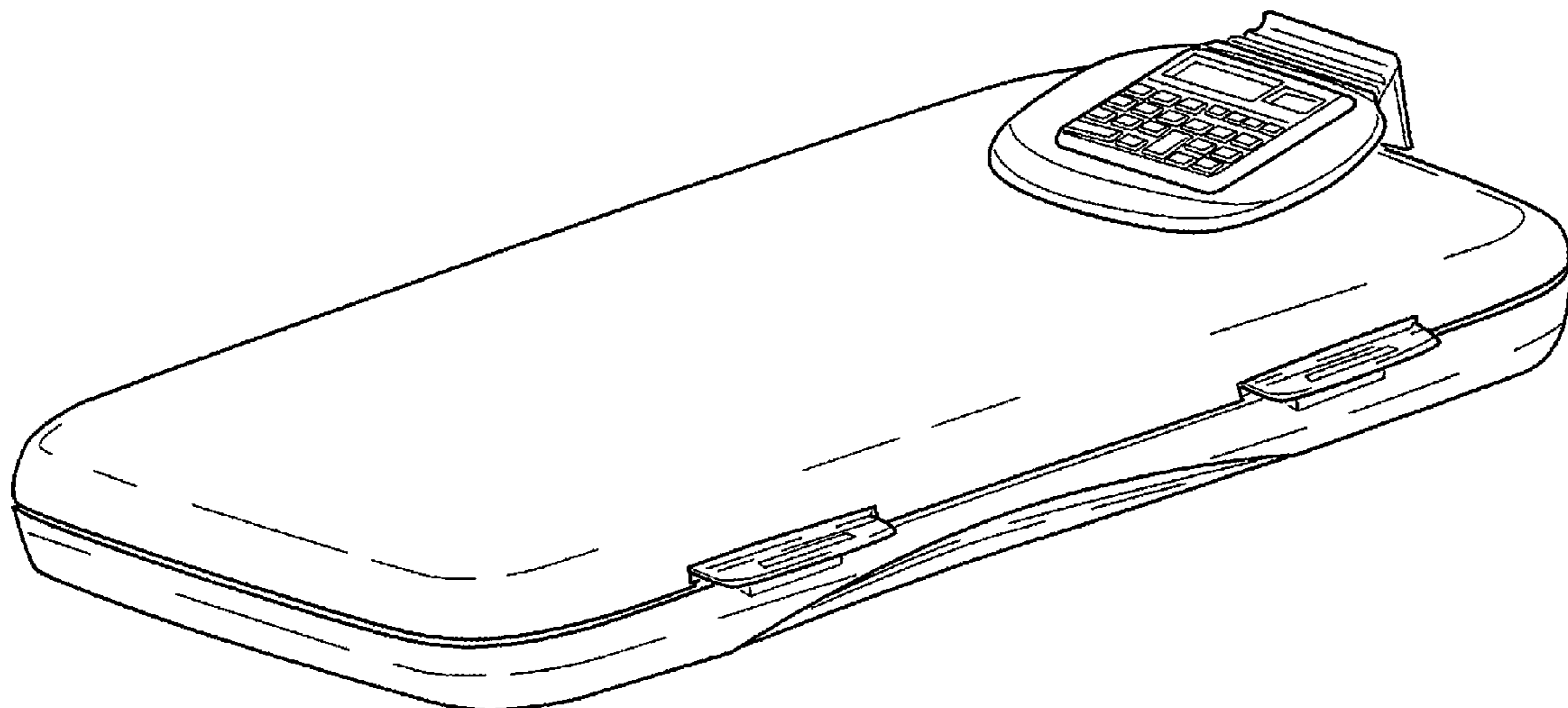


Fig. 1

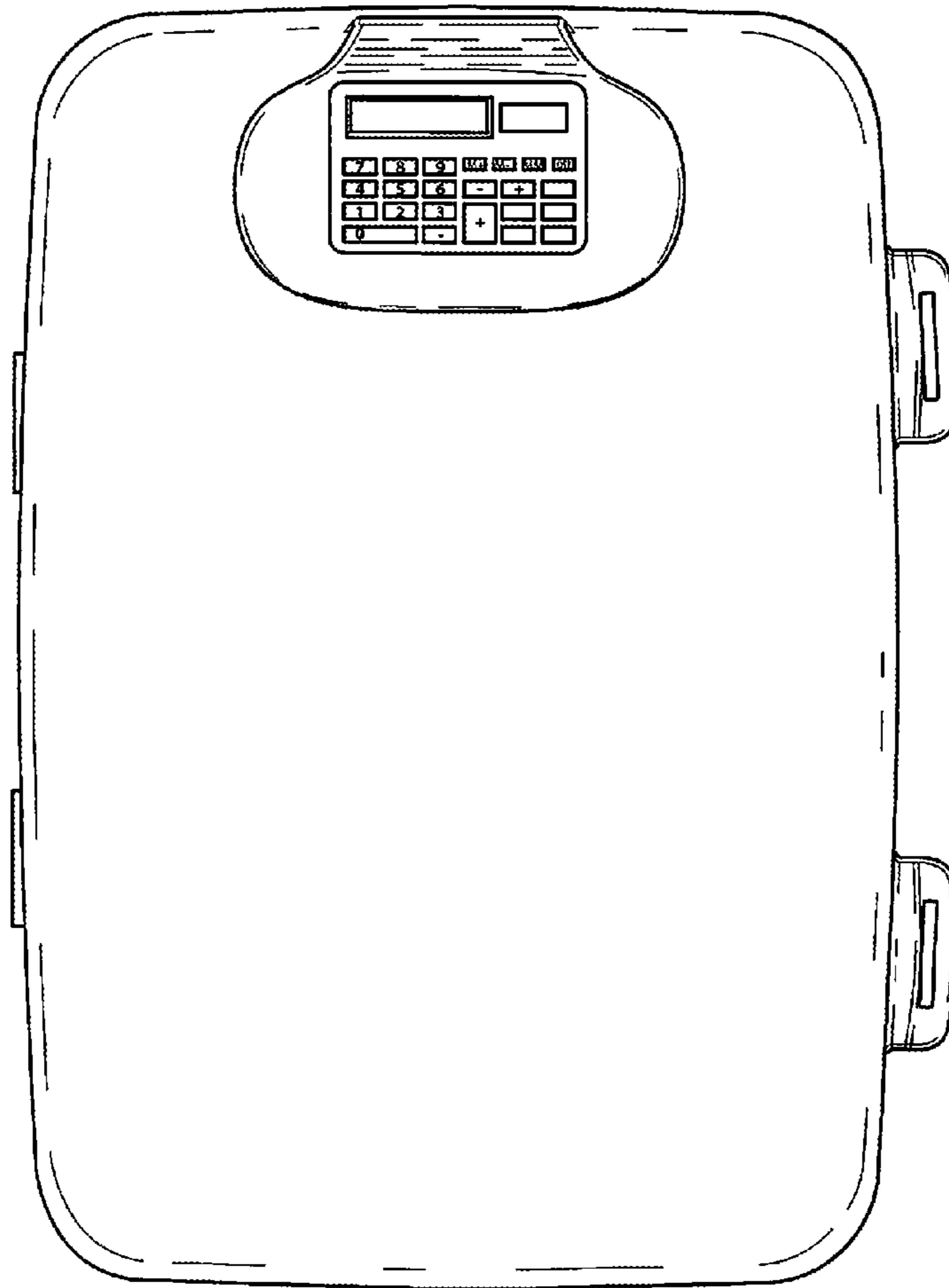


Fig. 2

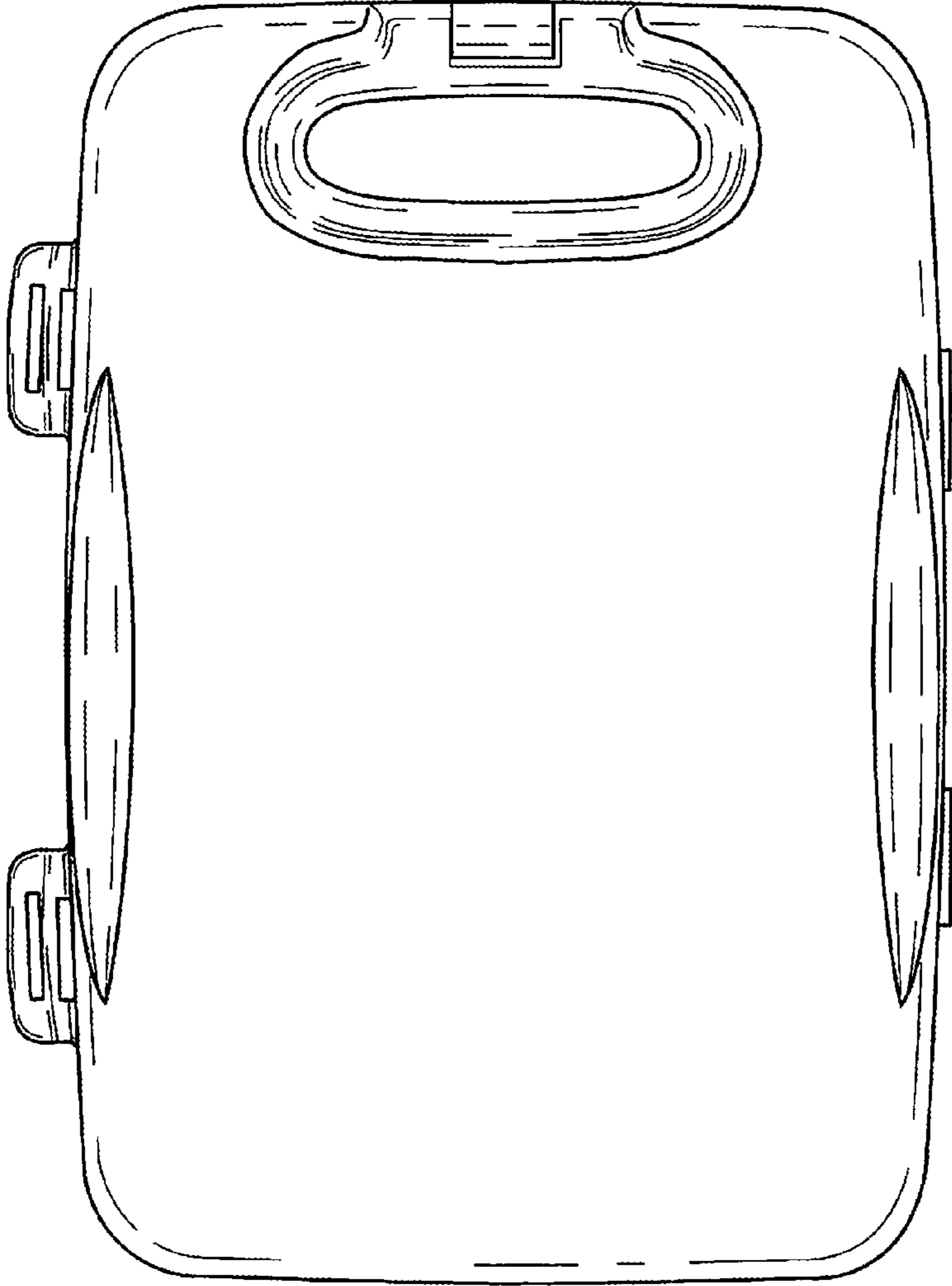


Fig. 3

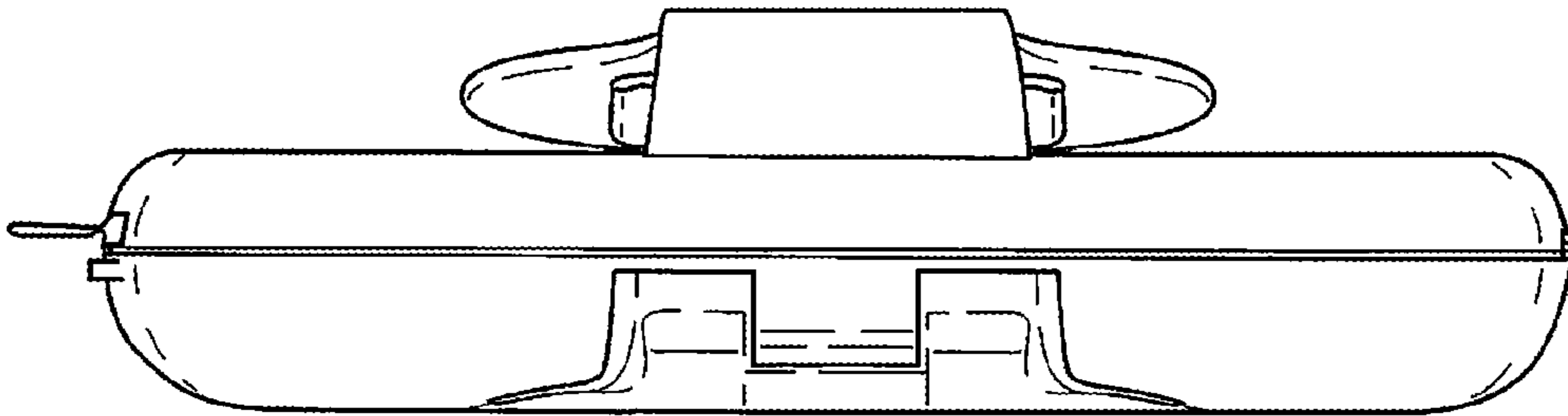


Fig. 4

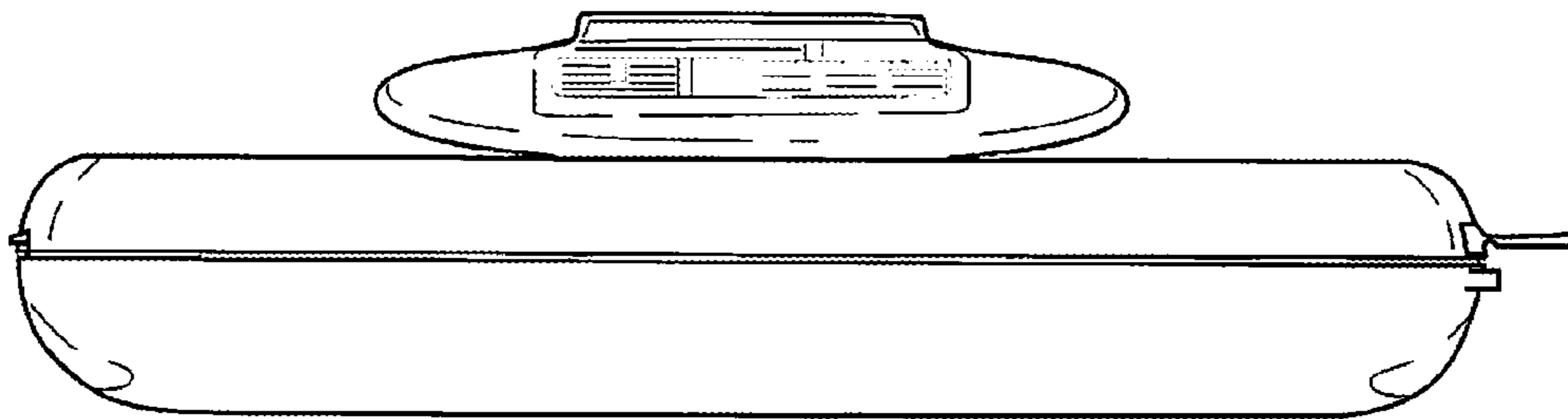


Fig. 5

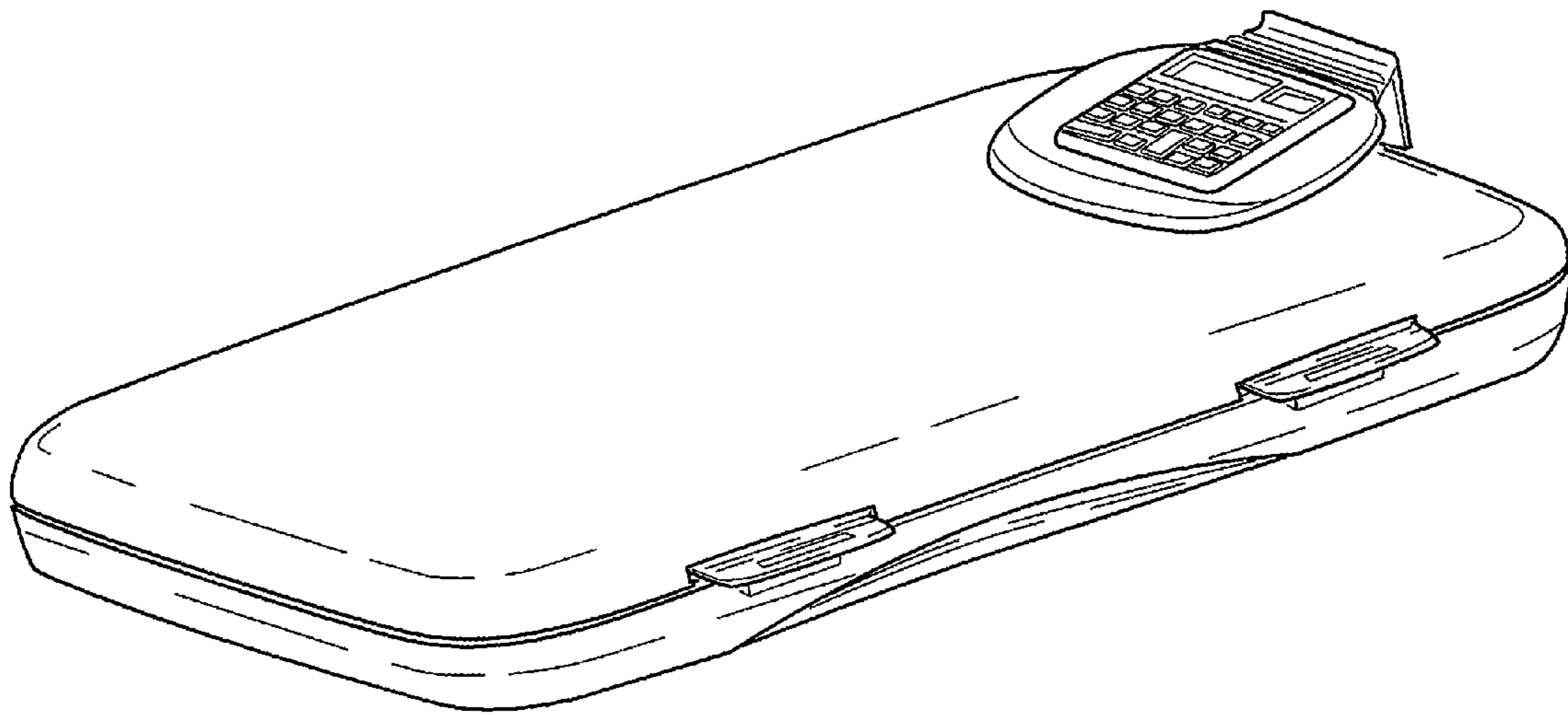


Fig. 6

