



US00D636434S

(12) **United States Design Patent**
Kim

(10) **Patent No.:** **US D636,434 S**
(45) **Date of Patent:** **** Apr. 19, 2011**

(54) **CARTRIDGE FOR PRINTER DEVELOPMENT DEVICE**

(75) Inventor: **Jong-In Kim**, Kyunggi-do (KR)

(73) Assignee: **Samsung Electronics Co., Ltd.**,
Kyunggi-do (KR)

(**) Term: **14 Years**

(21) Appl. No.: **29/316,711**

(22) Filed: **Oct. 23, 2009**

(51) **LOC (9) Cl.** **16-03**

(52) **U.S. Cl.** **D18/43**

(58) **Field of Classification Search** D14/471;
D18/12, 36, 40, 43, 44, 56; 222/DIG. 1;
347/197, 222; 399/24–28, 107–112, 119,
399/121, 122, 222–224

See application file for complete search history.

(56) **References Cited**

U.S. PATENT DOCUMENTS

D378,830 S	4/1997	Kim	
D401,615 S	* 11/1998	Goto et al.	D18/40
D460,980 S	* 7/2002	Matsuzaki et al.	D18/40
D538,850 S	3/2007	Choi et al.	
D539,335 S	3/2007	Jeon et al.	
D544,528 S	6/2007	Kim	
D546,382 S	7/2007	Noh et al.	
D547,368 S	7/2007	Han	
D551,286 S	9/2007	Han	
D555,193 S	11/2007	Choi	
D559,902 S	1/2008	Park et al.	
D570,403 S	6/2008	Park et al.	
D577,061 S	9/2008	Kim	
D580,485 S	11/2008	Park et al.	
D581,975 S	12/2008	Park et al.	
D582,473 S	12/2008	Park et al.	
D583,860 S	* 12/2008	Kubota et al.	D18/43
D583,862 S	12/2008	Park et al.	
D584,343 S	1/2009	Kwon	
D584,345 S	1/2009	Choi et al.	
D584,765 S	1/2009	Park et al.	
D586,847 S	2/2009	Han	
D587,303 S	2/2009	Park	

D588,191 S	3/2009	Baek et al.
D597,592 S	8/2009	Kim
D597,593 S	8/2009	Jeon et al.
D598,049 S	8/2009	Park
D600,276 S	9/2009	Noh et al.
D600,744 S	9/2009	Kim

OTHER PUBLICATIONS

U.S. Appl. No. 29/313,190, Applicant: Seung-Gweon Lee, et al., filed Dec. 12, 2008 entitled Developing Device for a Color Printer.

U.S. Appl. No. 29/313,634, Applicant: Gyeong-Sun Park, et al., filed Jan. 27, 2009 entitled Toner Cartridge for Printer.

U.S. Appl. No. 29/313,635, Applicant: Gyeong-Sun Park, et al., filed Jan. 27, 2009 entitled Development Device for Printer.

U.S. Appl. No. 29/313,632, Applicant: Gyeong-Sun Park, et al., filed Jan. 27, 2009 entitled Toner Cartridge.

U.S. Appl. No. 29/313,633, Applicant: Gyeong-Sun Park, et al., filed Jan. 27, 2009 entitled Toner Cartridge.

U.S. Appl. No. 29/316,709, Applicant: Jong-In Kim, filed Oct. 23, 2009 entitled Cartridge for Printer Development Device.

U.S. Appl. No. 29/313,631, Applicant: Gyeong-Sun Park, et al., filed Jan. 27, 2009 entitled Toner Cartridge.

* cited by examiner

Primary Examiner — Garth Rademaker

(74) *Attorney, Agent, or Firm* — Flynn, Thiel, Boutell & Tanis, P.C.

(57) **CLAIM**

The ornamental design for a cartridge for printer development device, as shown and described.

DESCRIPTION

FIG. 1 is a top front perspective view of a cartridge for printer development device showing my new design;

FIG. 2 is a front elevational view thereof;

FIG. 3 is a rear elevational view thereof;

FIG. 4 is a left side elevational view thereof;

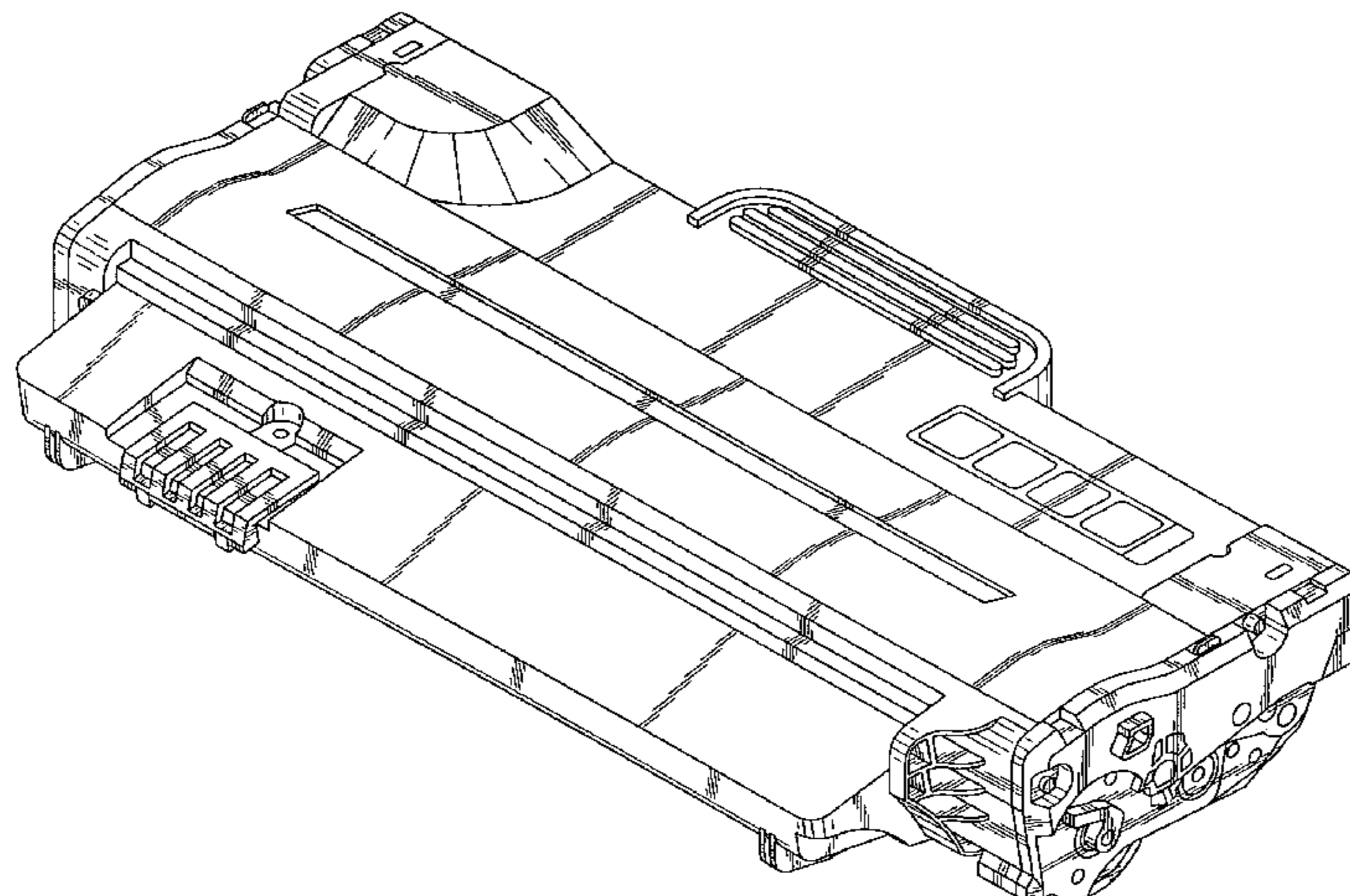
FIG. 5 is a right side elevational view thereof;

FIG. 6 is a top plan view thereof; and,

FIG. 7 is a bottom plan view thereof.

The broken lines depict environmental subject matter only and form no part of the claimed design.

1 Claim, 4 Drawing Sheets



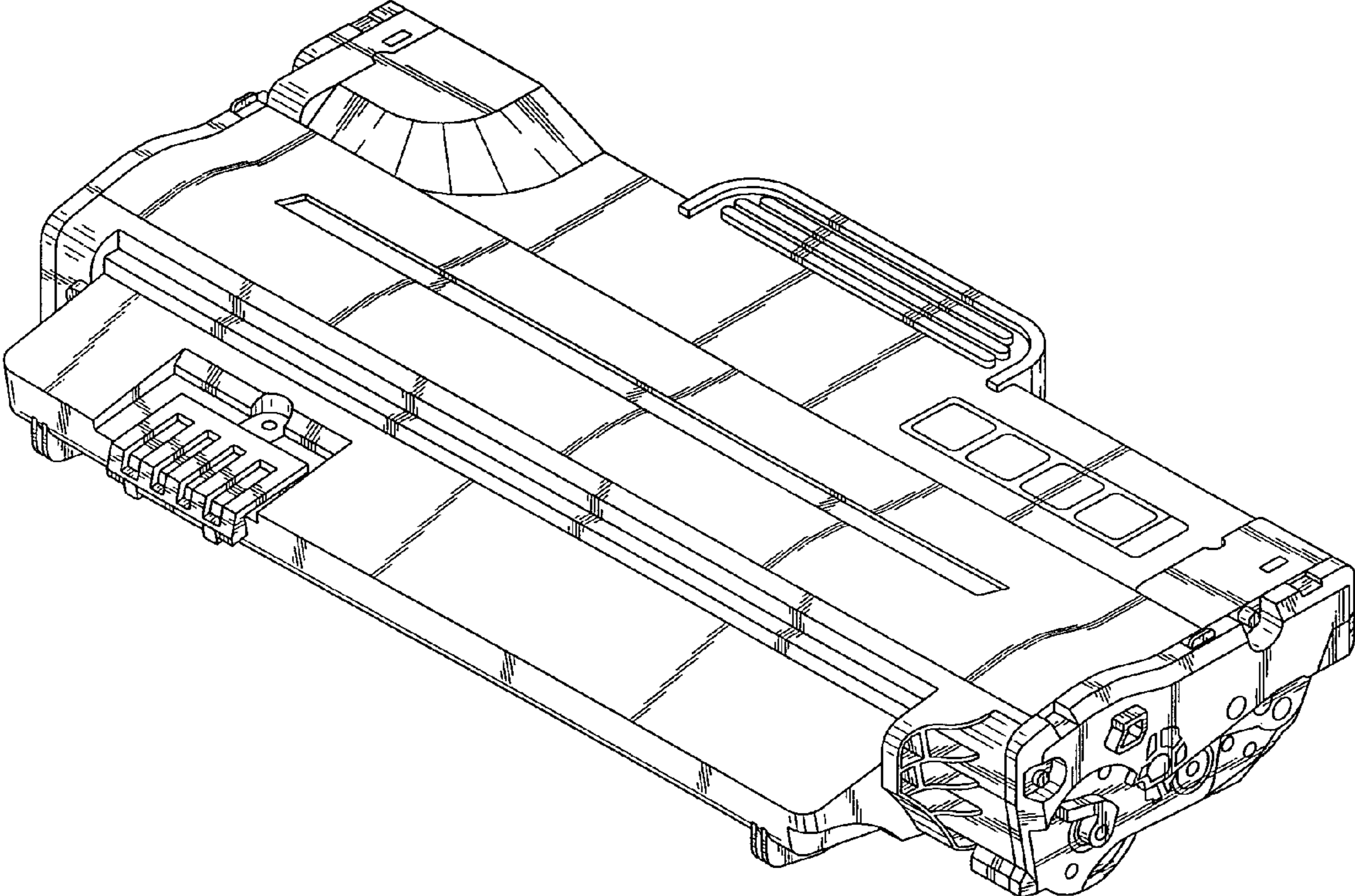


FIG. 1

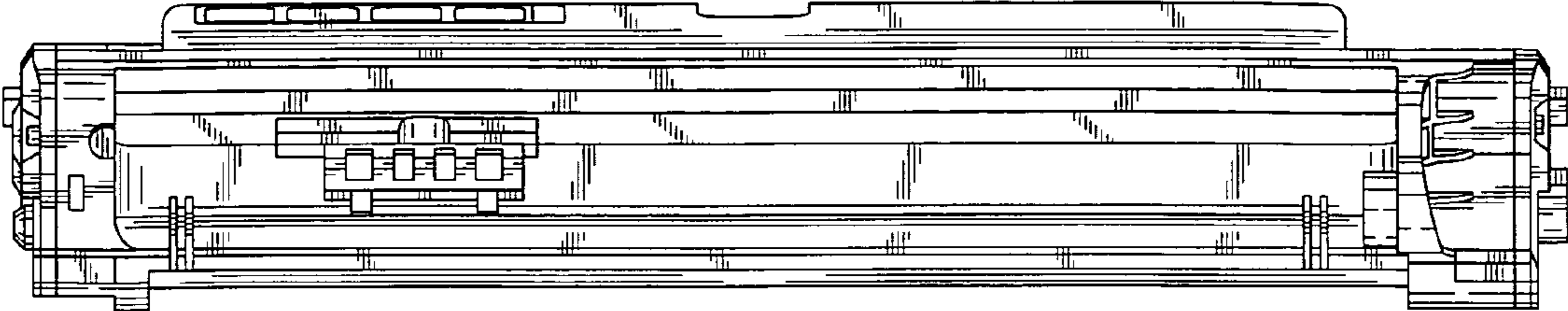


FIG. 2

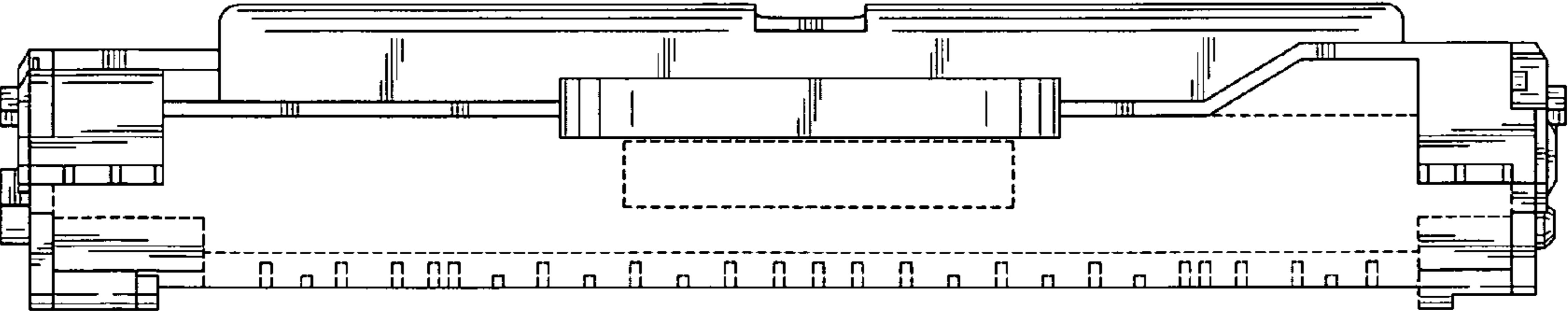


FIG. 3

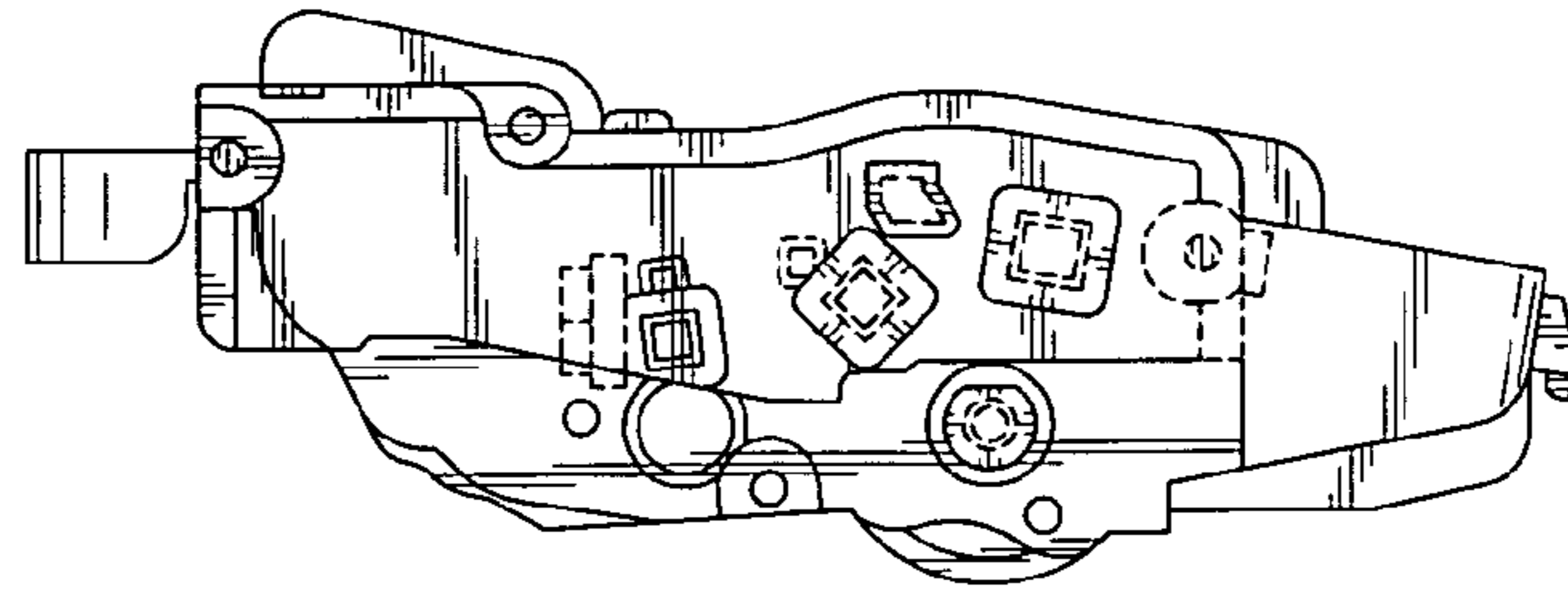


FIG. 4

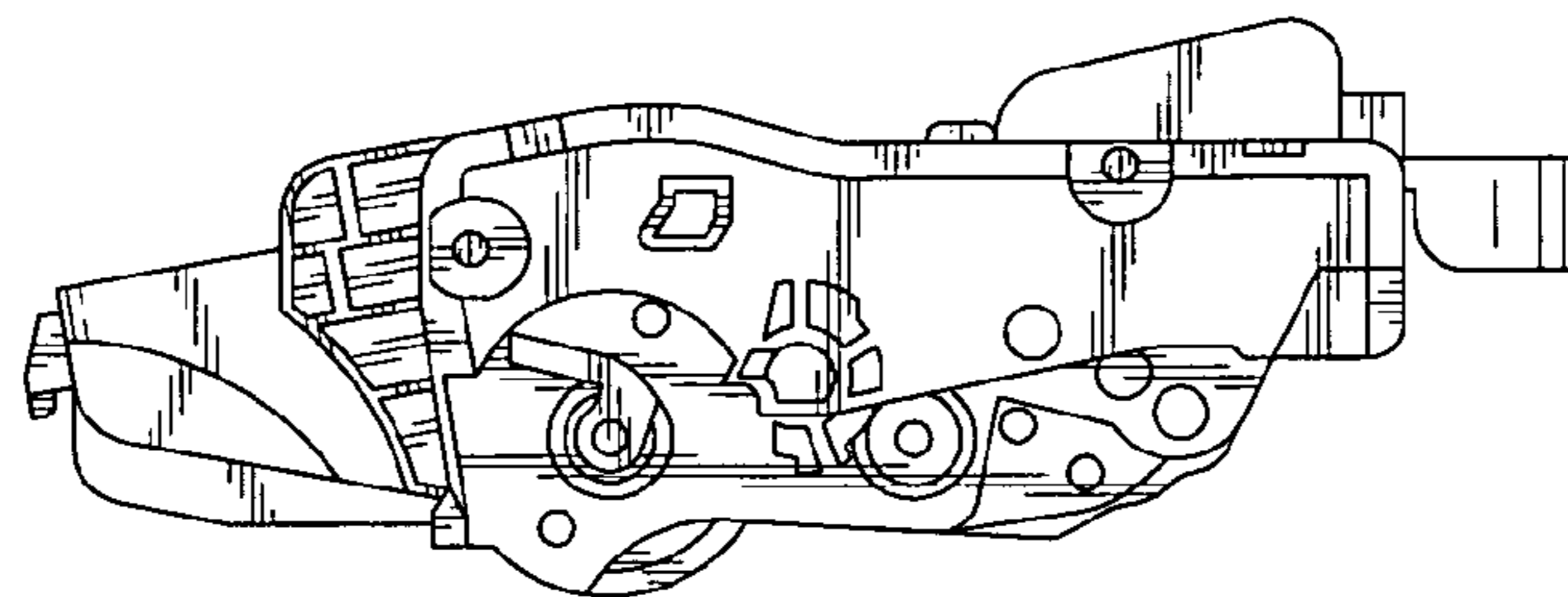


FIG. 5

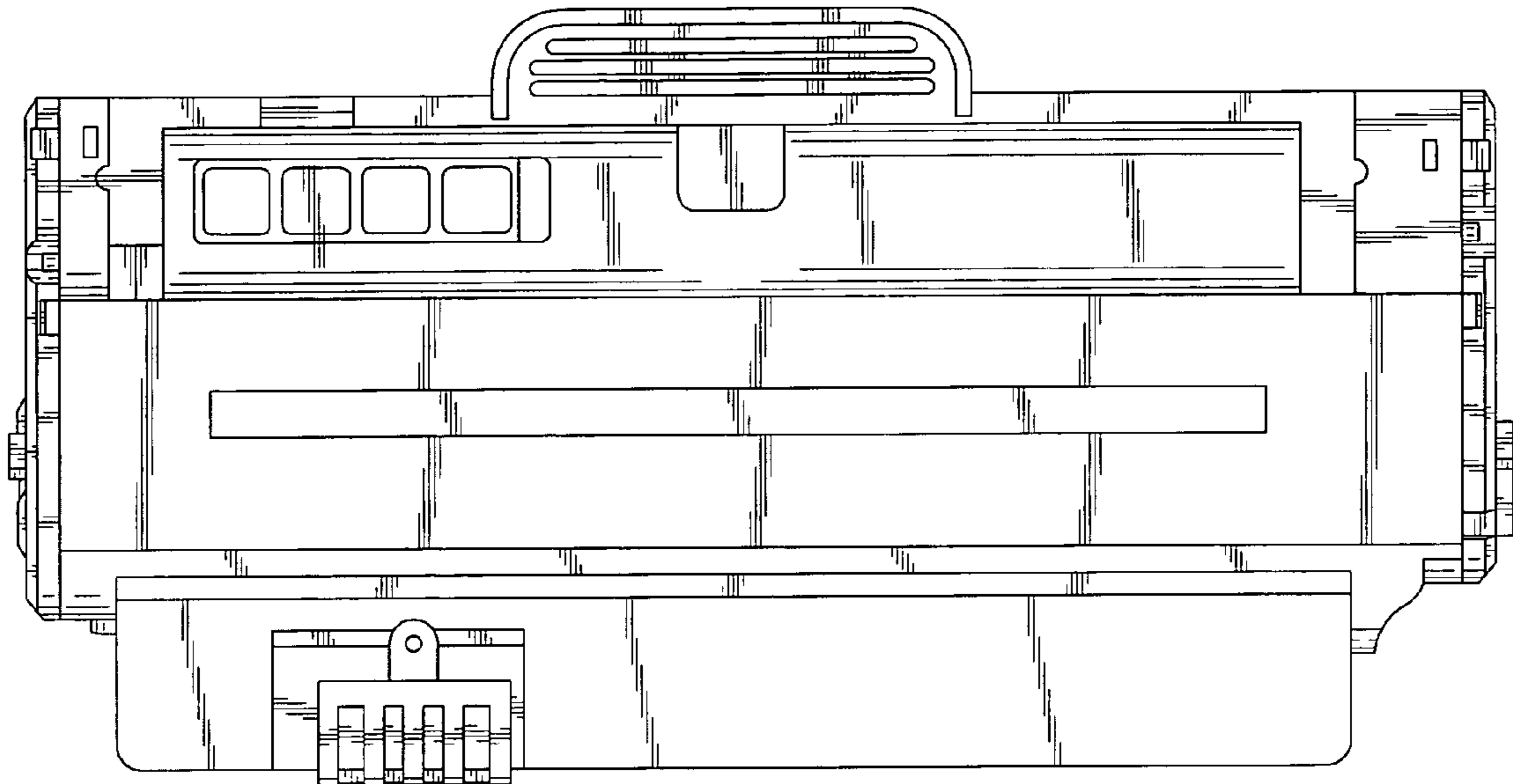


FIG. 6

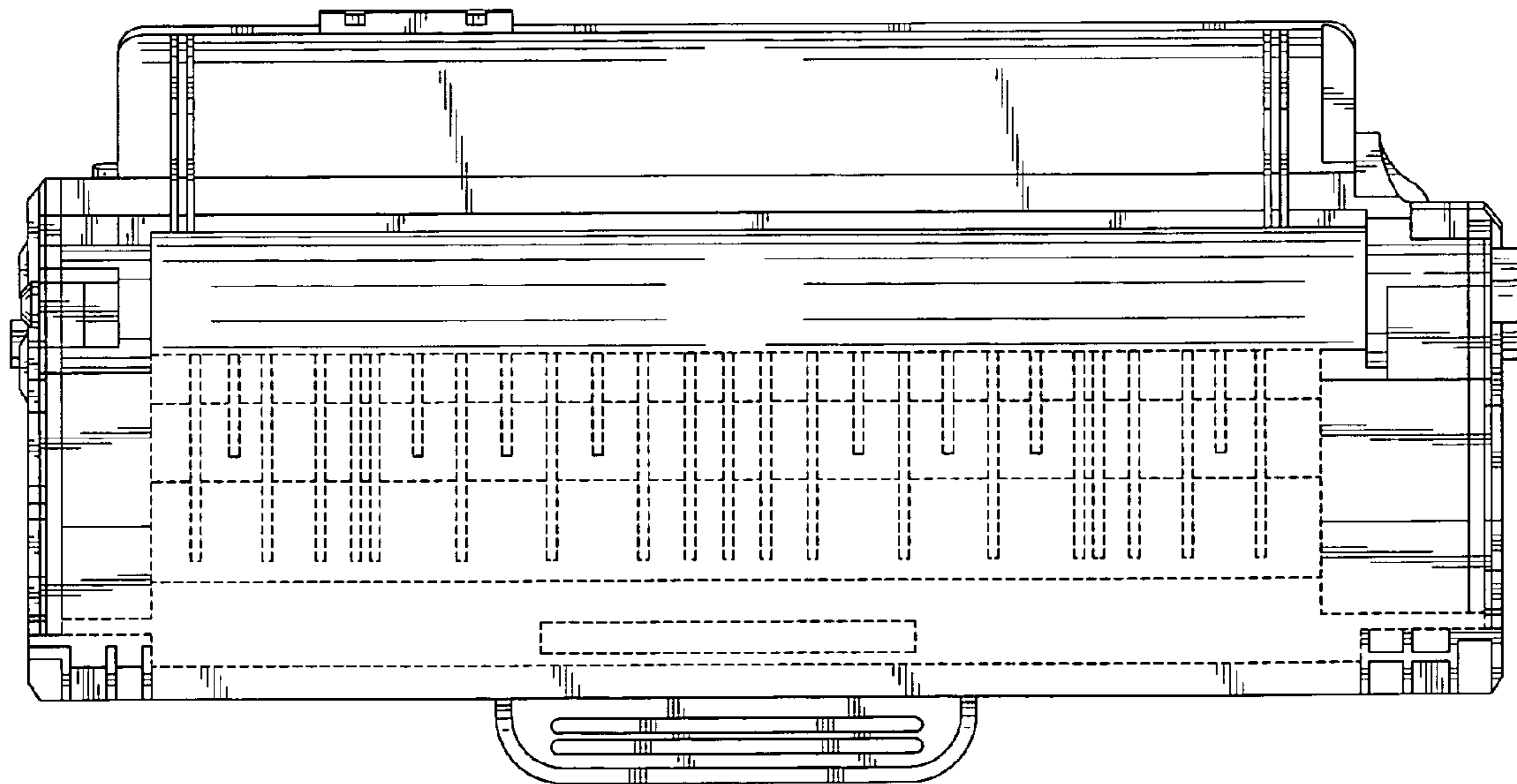


FIG. 7