



US00D636426S

(12) **United States Design Patent**  
**Kawaguchi et al.**

(10) **Patent No.:** **US D636,426 S**  
(45) **Date of Patent:** **\*\* Apr. 19, 2011**

(54) **VIDEO PROJECTOR**

(75) Inventors: **Yuta Kawaguchi**, Funabashi (JP);  
**Atsushi Ishibashi**, Tokorozawa (JP);  
**Yoshihiro Iwama**, Kokubunji (JP);  
**Shinji Matsumoto**, Yokohama (JP);  
**Kazumasa Ueoka**, Yokohama (JP)

(73) Assignee: **Hitachi Consumer Electronics Co., Ltd.**, Tokyo (JP)

(\*\*) Term: **14 Years**

(21) Appl. No.: **29/366,709**

(22) Filed: **Jul. 29, 2010**

(30) **Foreign Application Priority Data**

Feb. 16, 2010 (JP) ..... 2010-003472

(51) **LOC (9) Cl.** ..... **16-02**

(52) **U.S. Cl.** ..... **D16/230; D16/225**

(58) **Field of Classification Search** ..... D16/205,  
D16/208, 213, 221, 225, 230-231, 234; D21/514;  
353/115, 119, 122

See application file for complete search history.

(56) **References Cited**

**U.S. PATENT DOCUMENTS**

D464,074 S \* 10/2002 Miyazaki ..... D16/230  
D466,143 S \* 11/2002 Torikai ..... D16/230

D475,729 S \* 6/2003 Shiota et al. .... D16/230  
D479,261 S \* 9/2003 Kawasaki et al. .... D16/230  
D555,185 S \* 11/2007 Nozue et al. .... D16/230  
D555,696 S \* 11/2007 Naruki ..... D16/230  
D575,811 S \* 8/2008 Ohki et al. .... D16/230  
D614,684 S \* 4/2010 Inoue et al. .... D16/230  
D627,387 S \* 11/2010 Kawaguchi et al. .... D16/230

\* cited by examiner

*Primary Examiner* — Ian Simmons

*Assistant Examiner* — Wan Laymon

(74) *Attorney, Agent, or Firm* — Antonelli, Terry, Stout & Kraus, LLP.

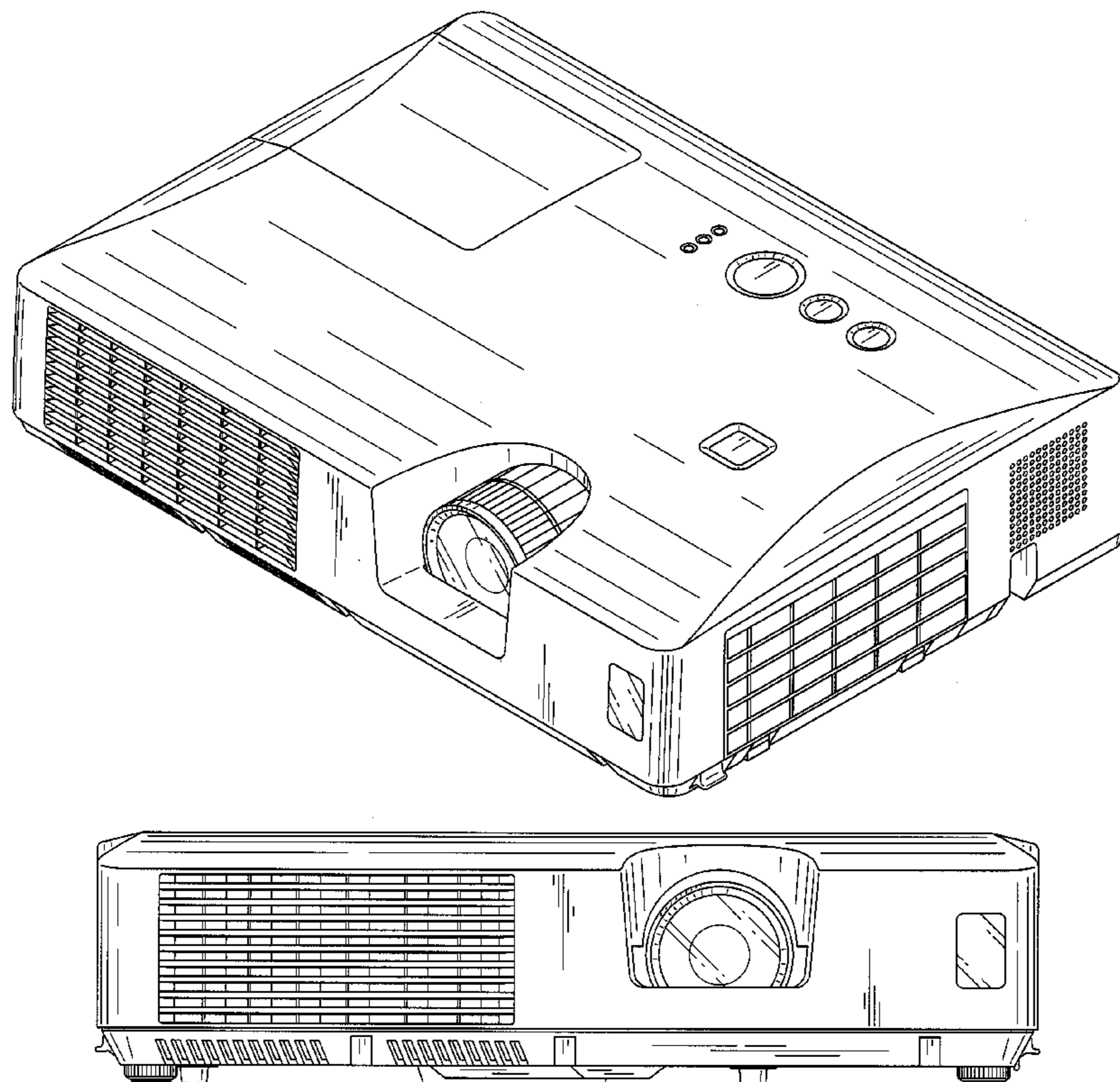
(57) **CLAIM**

We claim the ornamental design for a video projector, as shown and described.

**DESCRIPTION**

FIG. 1 is a front, top and right side perspective view of a video projector showing our new design; FIG. 2 is a front elevational view thereof; FIG. 3 is a rear elevational view thereof; FIG. 4 is a top plan view thereof; FIG. 5 is a bottom plan view thereof; FIG. 6 is a left side elevational view thereof; and, FIG. 7 is a right side elevational view thereof. The broken lines in the FIGS. 3 and 6 are included for the purpose of illustrating portions of the video projector that form no part of the claimed design.

**1 Claim, 5 Drawing Sheets**



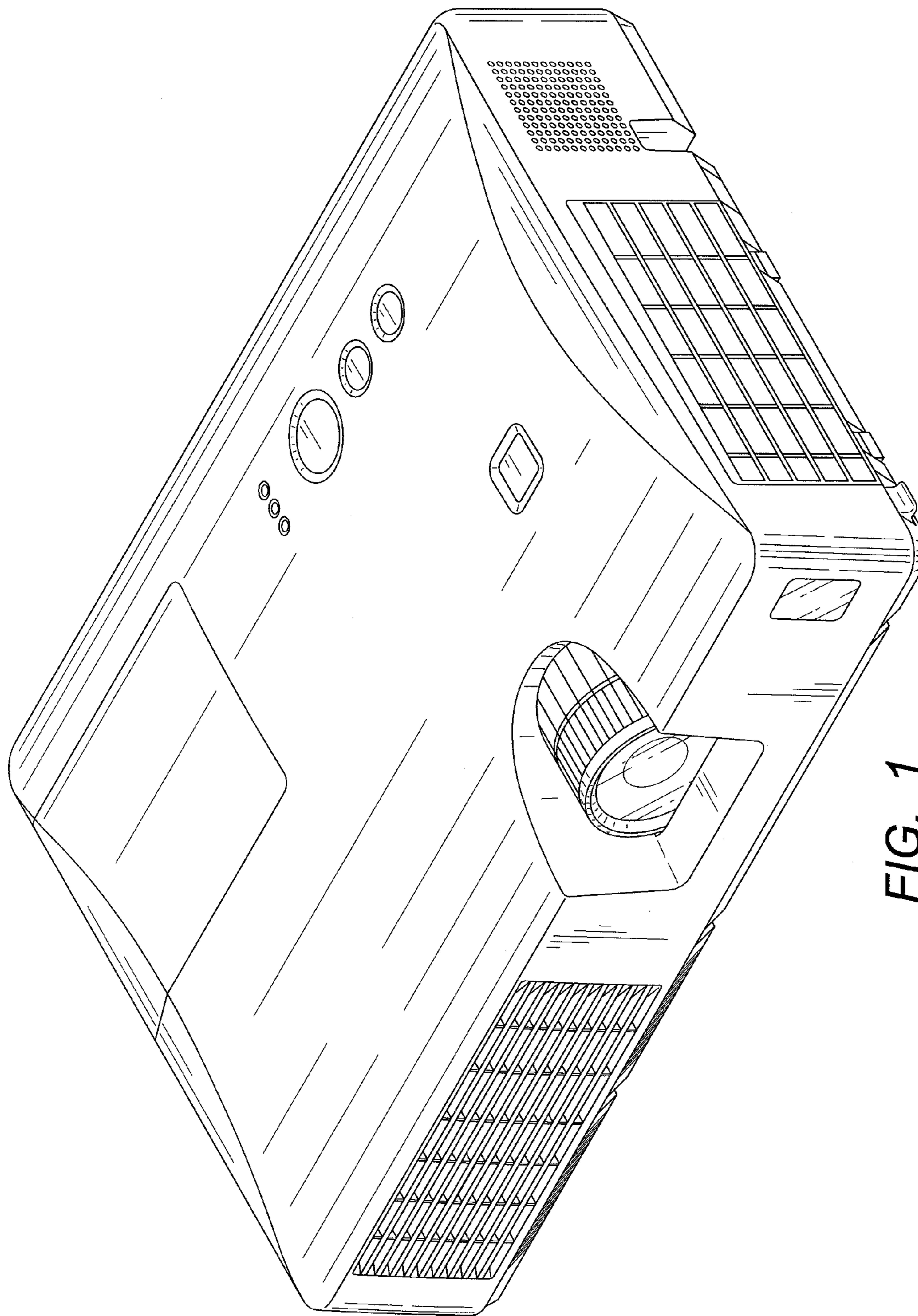


FIG. 1

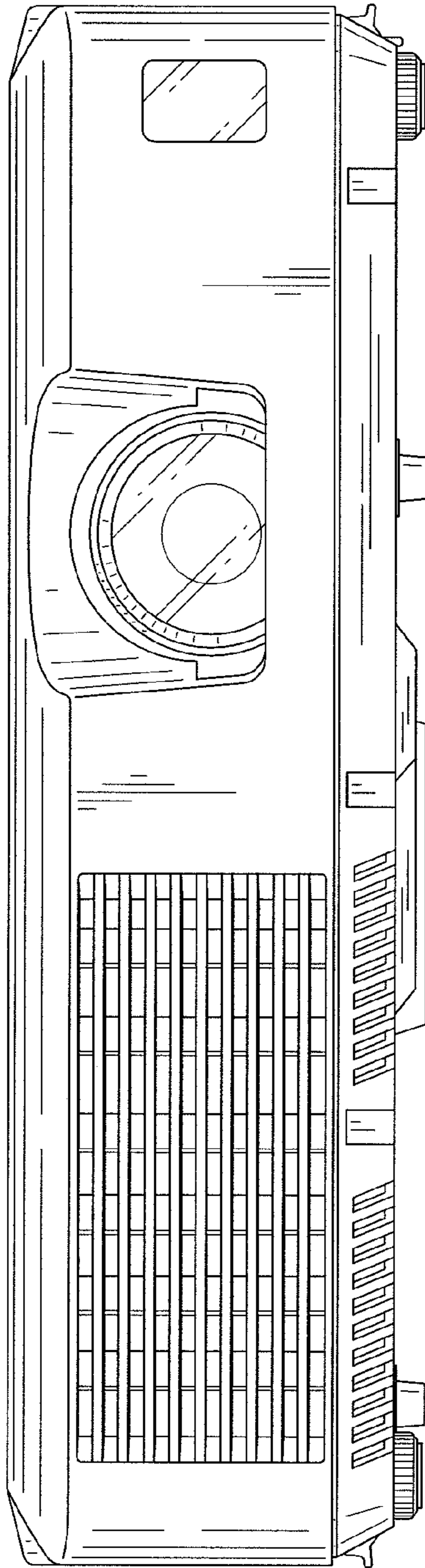


FIG. 2

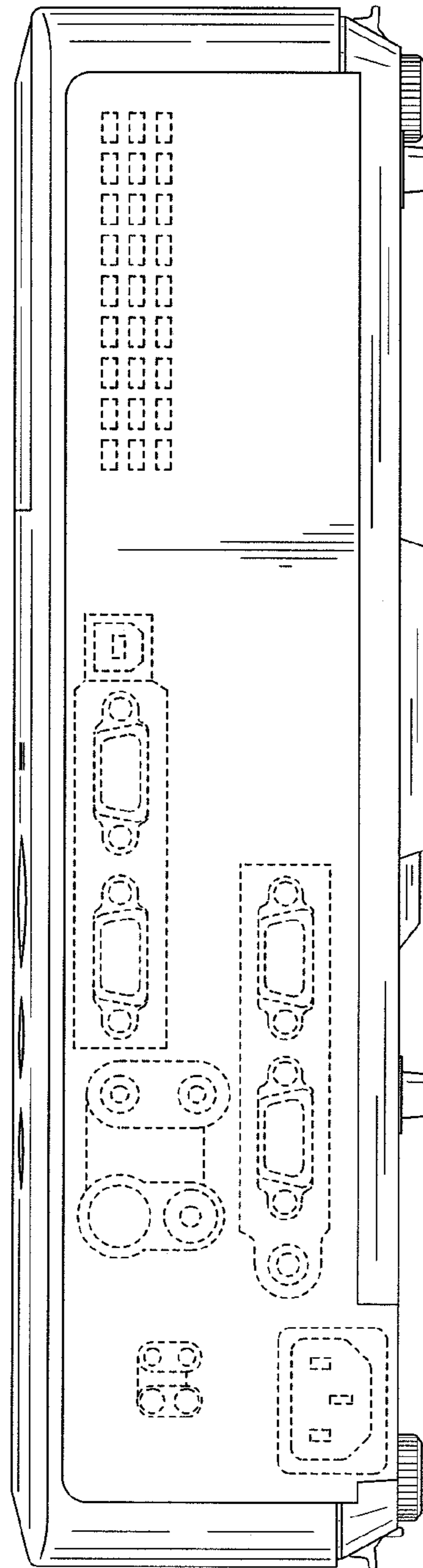


FIG. 3

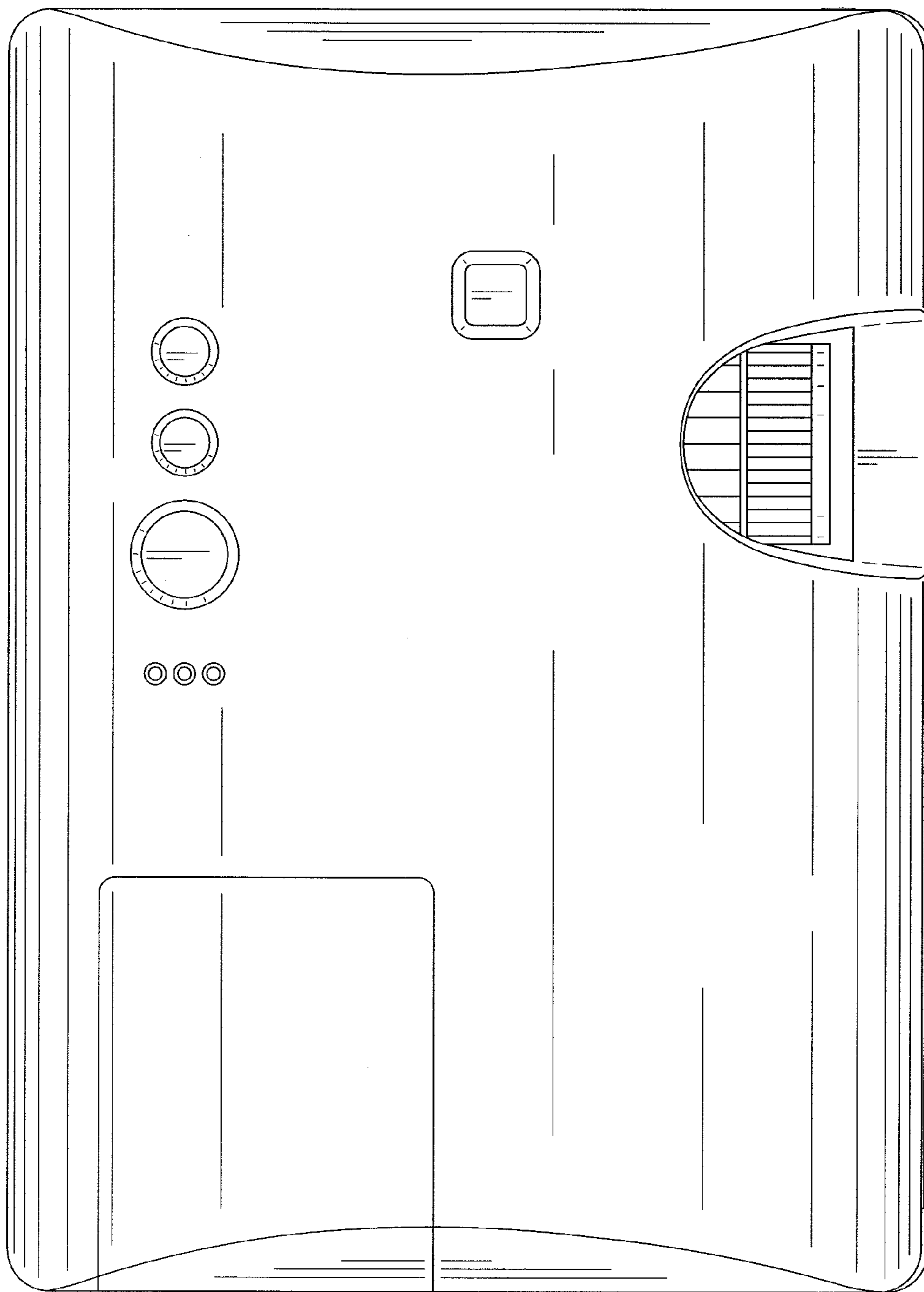


FIG. 4

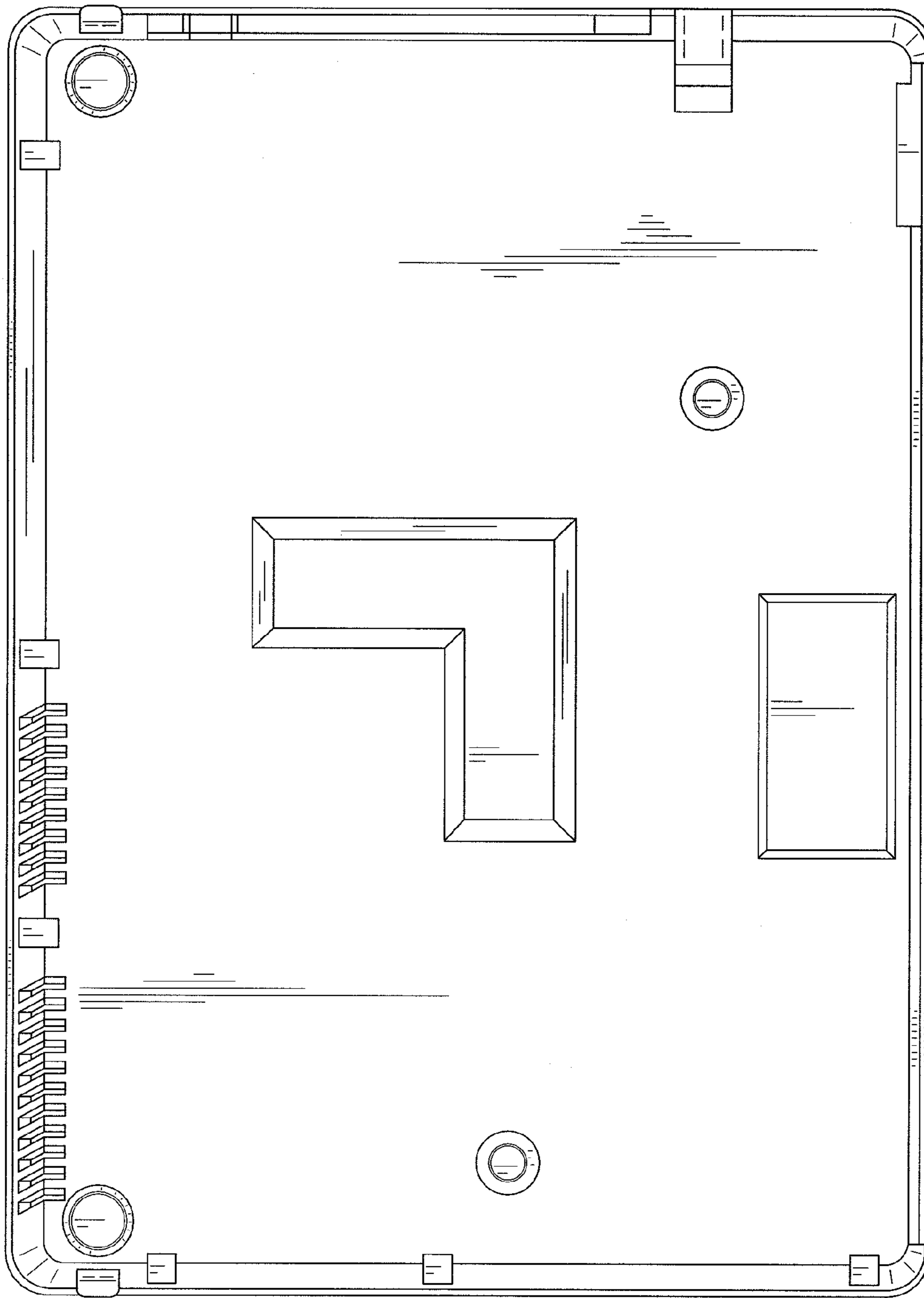


FIG. 5

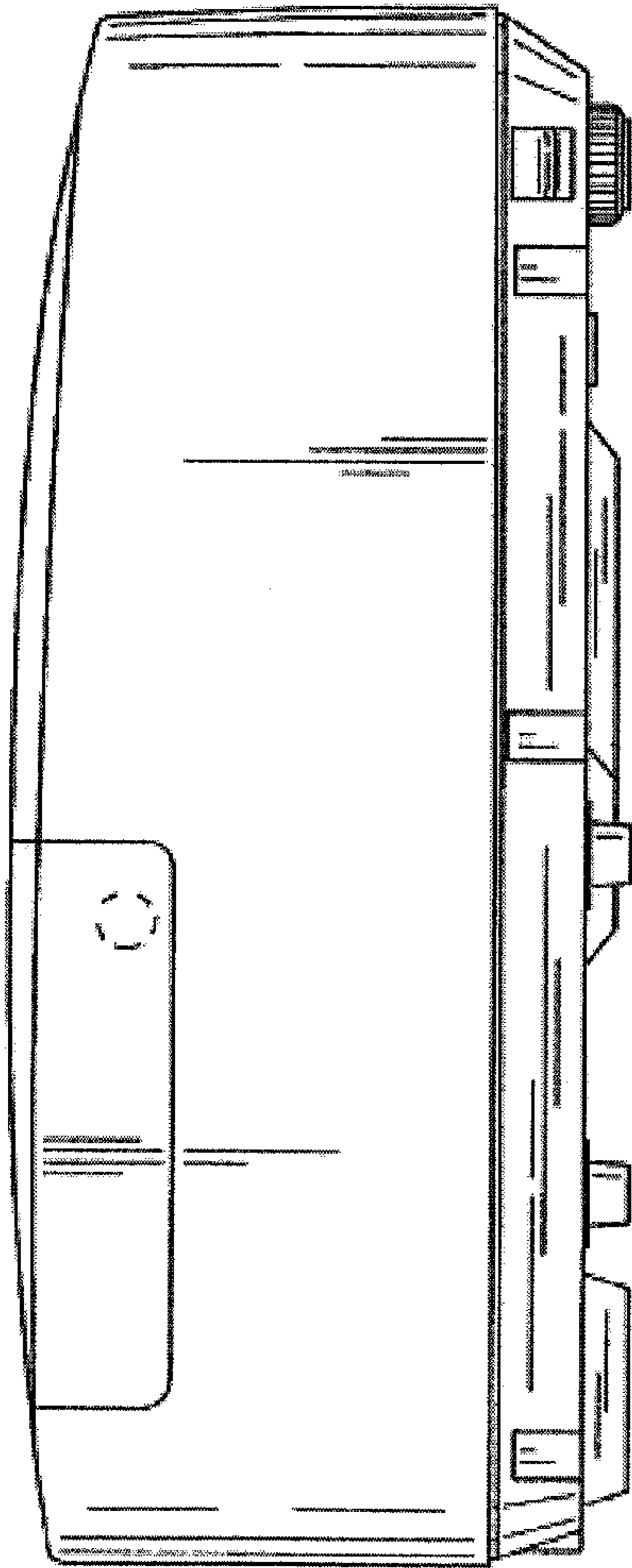


FIG. 6

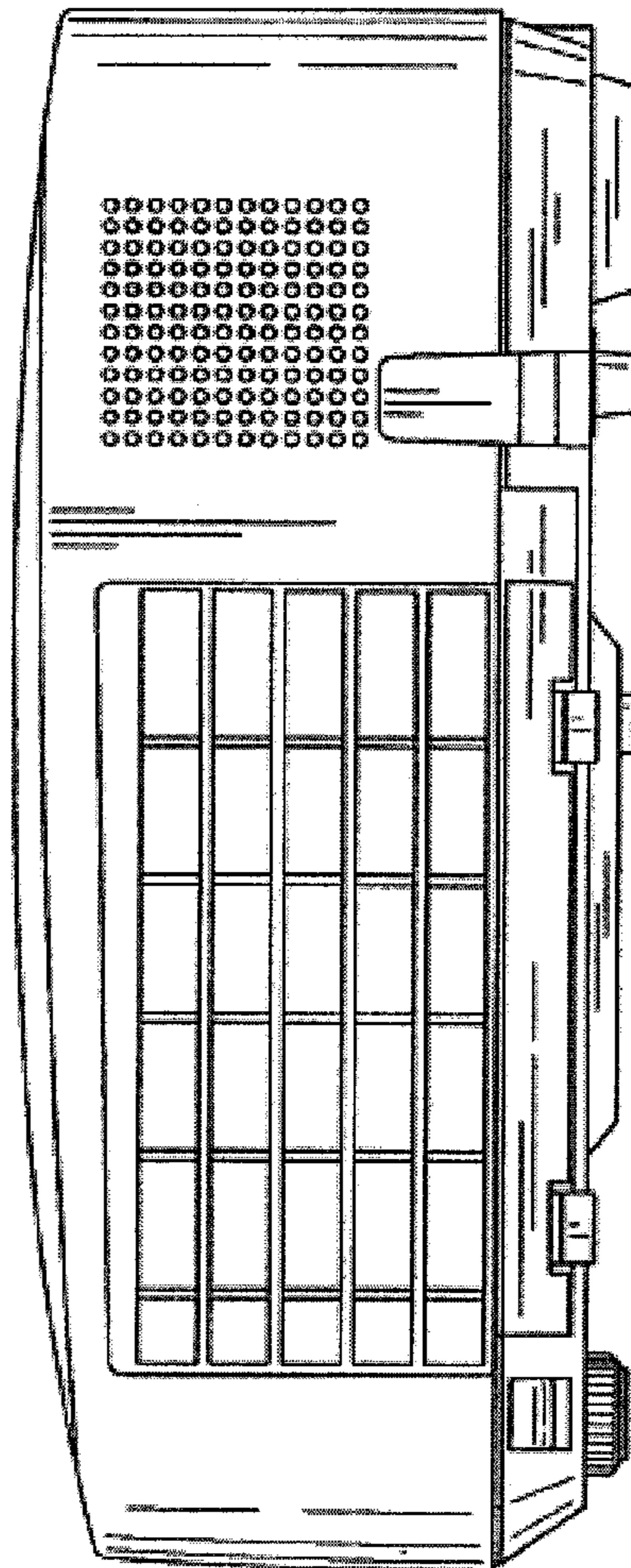


FIG. 7