

US00D636425S

(12) **United States Design Patent**
Sheppard et al.

(10) **Patent No.:** **US D636,425 S**
(45) **Date of Patent:** **** Apr. 19, 2011**

(54) **DIGITAL VIDEO CAMERA WITH BUILT-IN CONNECTOR AND ORNAMENTAL BAND**

(75) Inventors: **Nasahn Adam Sheppard**, Mill Valley, CA (US); **Maarten Dinger**, San Francisco, CA (US); **Allan Freas Velzy**, San Francisco, CA (US); **Peter Michaelian**, Tappan, NY (US); **Jaewon Samuel Kang**, Santa Clara, CA (US); **Lionel Jingles**, San Francisco, CA (US); **John Furlan**, Belmont, CA (US); **Greg Allen Cummings**, San Francisco, CA (US)

(73) Assignee: **Cisco Technology, Inc.**, San Jose, CA (US)

(**) Term: **14 Years**

(21) Appl. No.: **29/365,790**

(22) Filed: **Jul. 14, 2010**

Related U.S. Application Data

(63) Continuation of application No. 29/354,577, filed on Jan. 26, 2010, now Pat. No. Des. 621,434, which is a continuation of application No. 29/328,155, filed on Nov. 19, 2008, now Pat. No. Des. 610,600, which is a continuation of application No. 29/304,515, filed on Mar. 3, 2008, now Pat. No. Des. 591,321.

(51) **LOC (9) Cl.** **16-05**

(52) **U.S. Cl.** **D16/219**

(58) **Field of Classification Search** D13/133, D13/147; D14/356; D16/200–204, 208, D16/218, 219; 348/373–376; 396/535, 540, 396/541

See application file for complete search history.

(56) **References Cited**

U.S. PATENT DOCUMENTS

7,025,275 B2 * 4/2006 Huang et al. 235/486
D579,933 S * 11/2008 Deguchi D14/356

D607,914 S * 1/2010 Kaplan et al. D16/219
D608,813 S * 1/2010 Hong et al. D16/218
D617,821 S * 6/2010 Kaplan et al. D16/202
2004/0077216 A1 4/2004 Tu
2009/0109329 A1* 4/2009 Cummings et al. 348/374

FOREIGN PATENT DOCUMENTS

CN 2 738 529 11/2005
GB 2 433 845 7/2007

OTHER PUBLICATIONS

European Supplementary Search Report, EP 08 84 1117 mailed Dec. 14, 2010.

English Translation of CN patent No. CN 2 738 529.

* cited by examiner

Primary Examiner — Adir Aronovich

(74) *Attorney, Agent, or Firm* — Patterson & Sheridan, LLP

(57) **CLAIM**

The ornamental design for a digital video camera with a built-in connector and ornamental band, as shown and described.

DESCRIPTION

FIG. 1 is a front perspective view a digital video camera with a built-in connector and ornamental band, with the connector being in an extended position.

FIG. 2 is a rear perspective view thereof, with the connector being in an extended position.

FIG. 3 is a right side elevational view thereof, with the connector being in an extended position.

FIG. 4 is a left side elevational view thereof, with the connector being in an extended position.

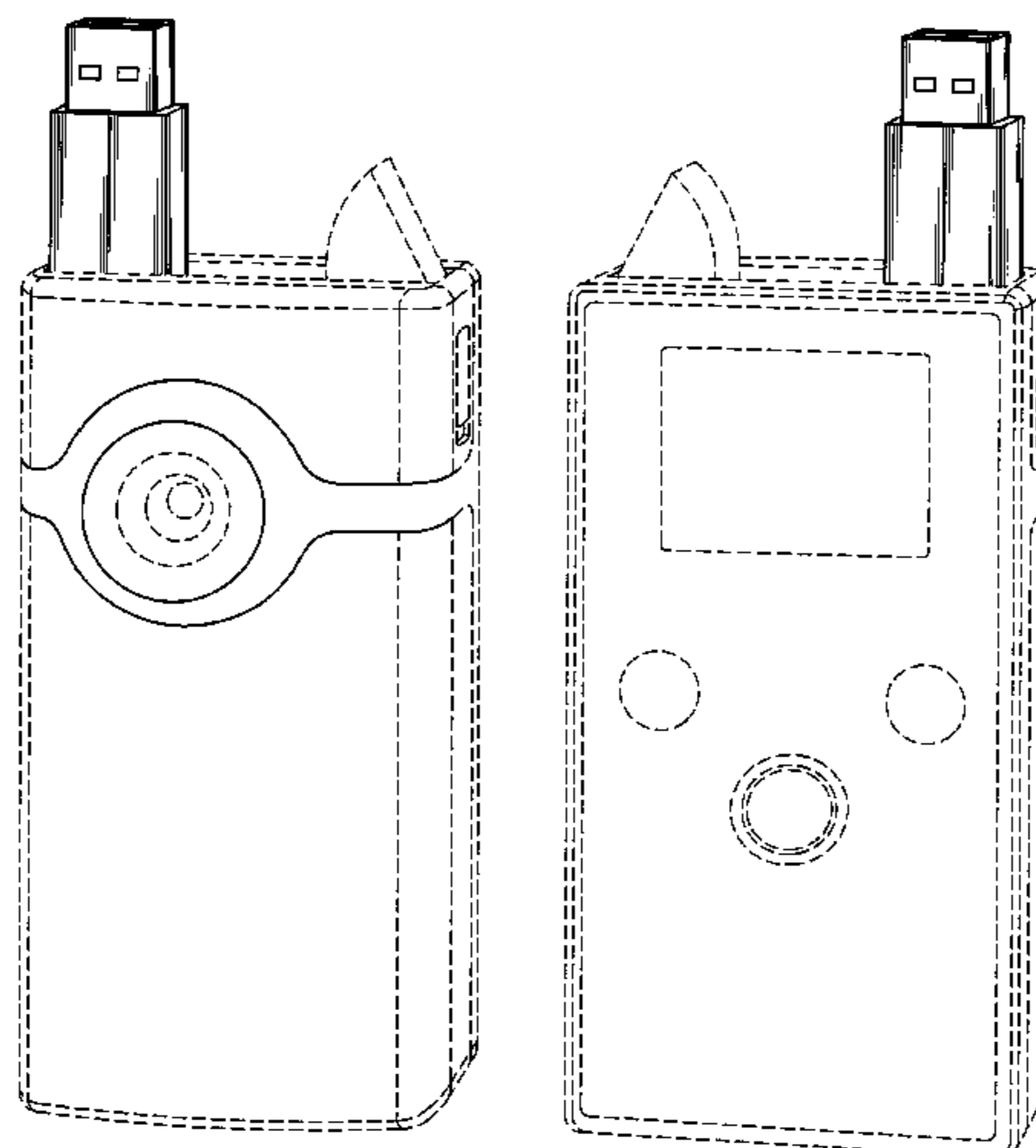
FIG. 5 is a top plan view thereof, with the connector being in an extended position.

FIG. 6 is a front elevational view thereof, with the connector being in an extended position; and,

FIG. 7 is a rear elevational view thereof, with the connector being in an extended position.

The broken line portions in all views are shown to illustrate environment only and form no part of the claimed design.

1 Claim, 6 Drawing Sheets



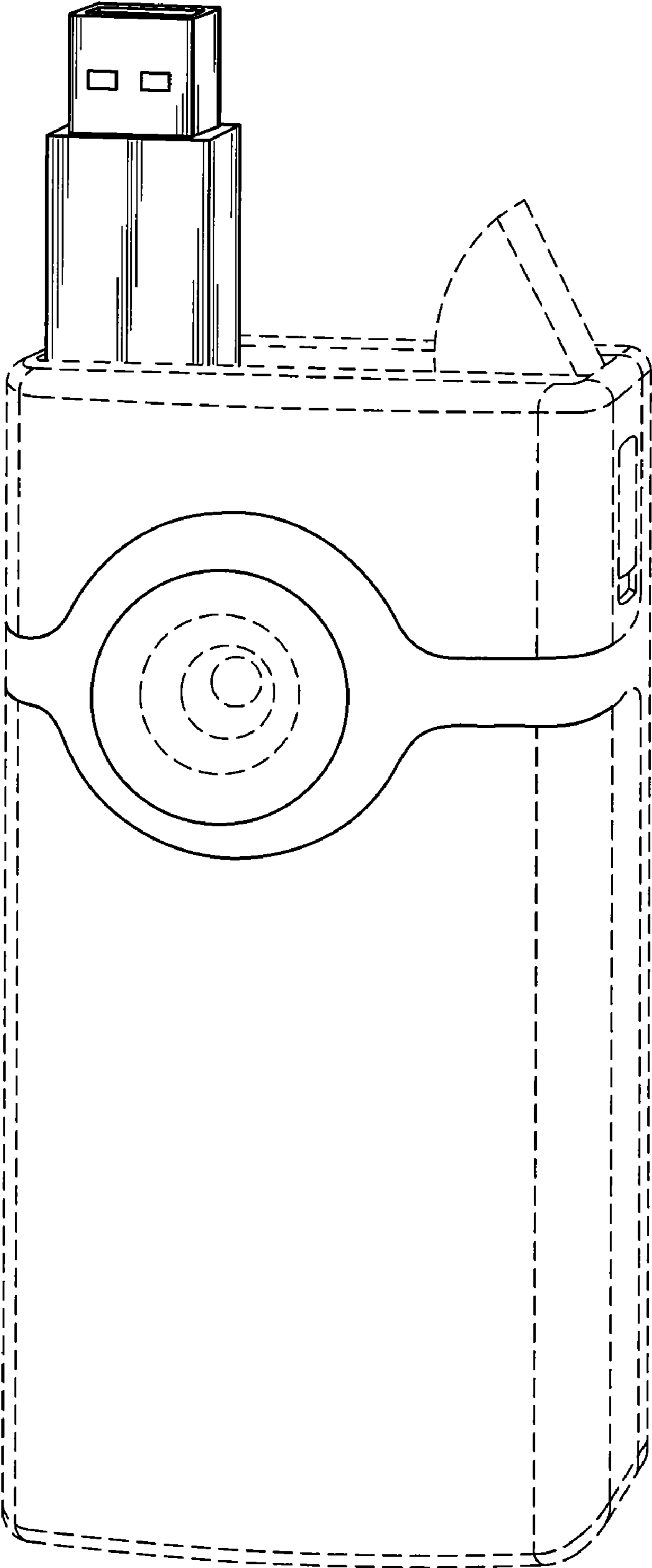


FIG. 1

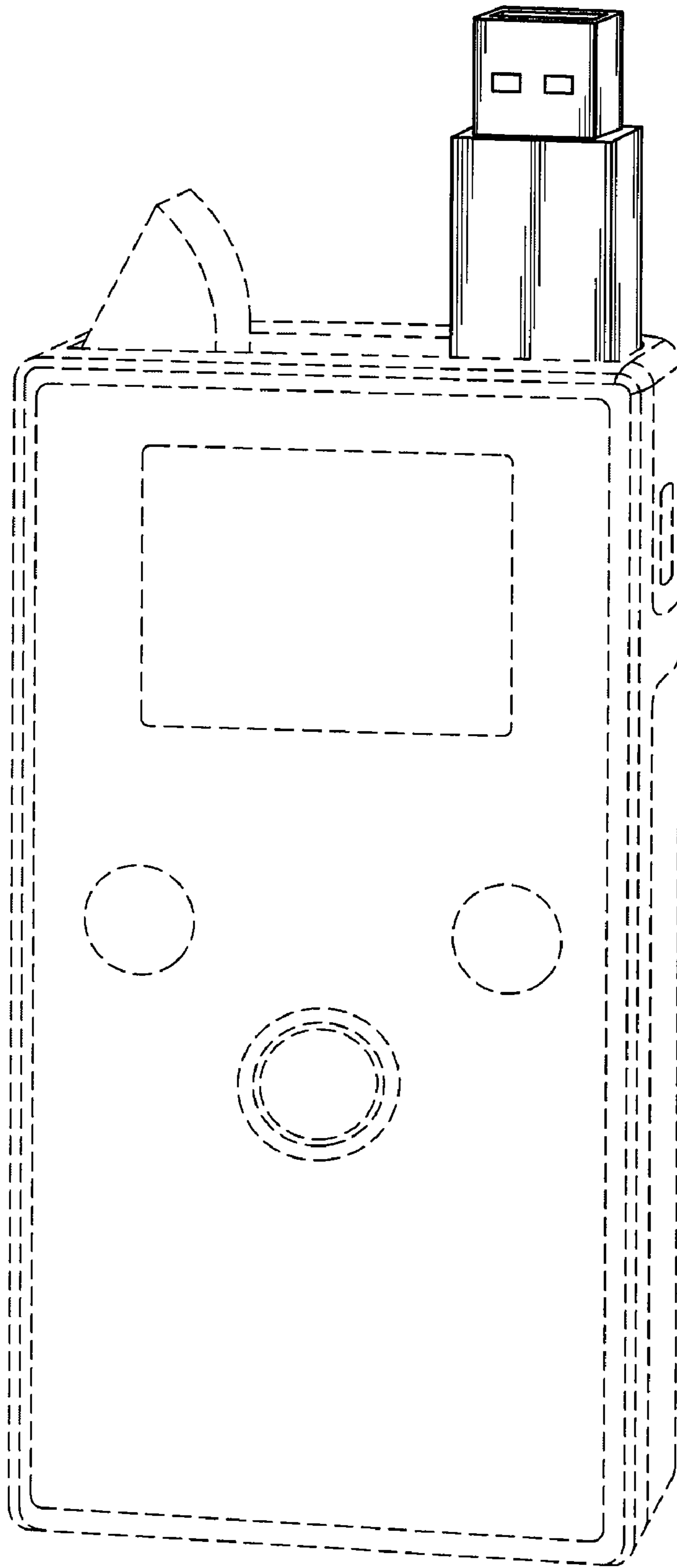


FIG. 2

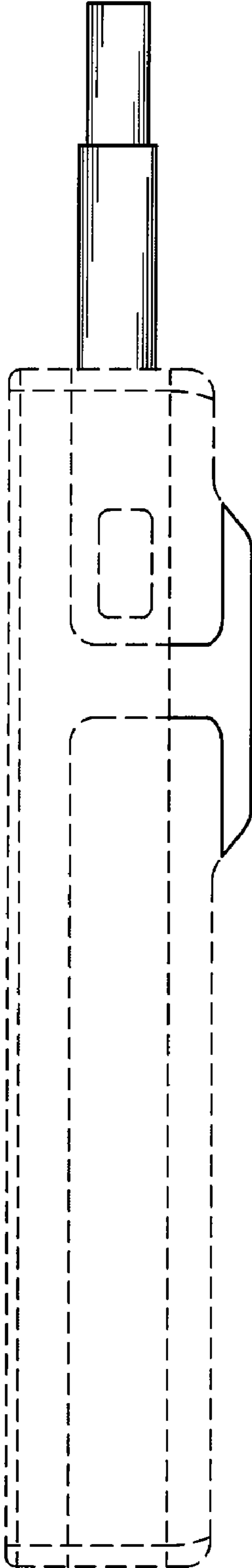


FIG. 3

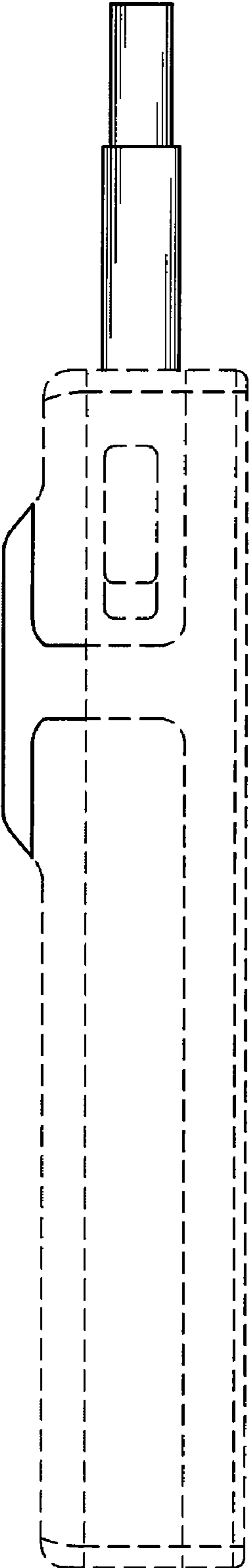


FIG. 4

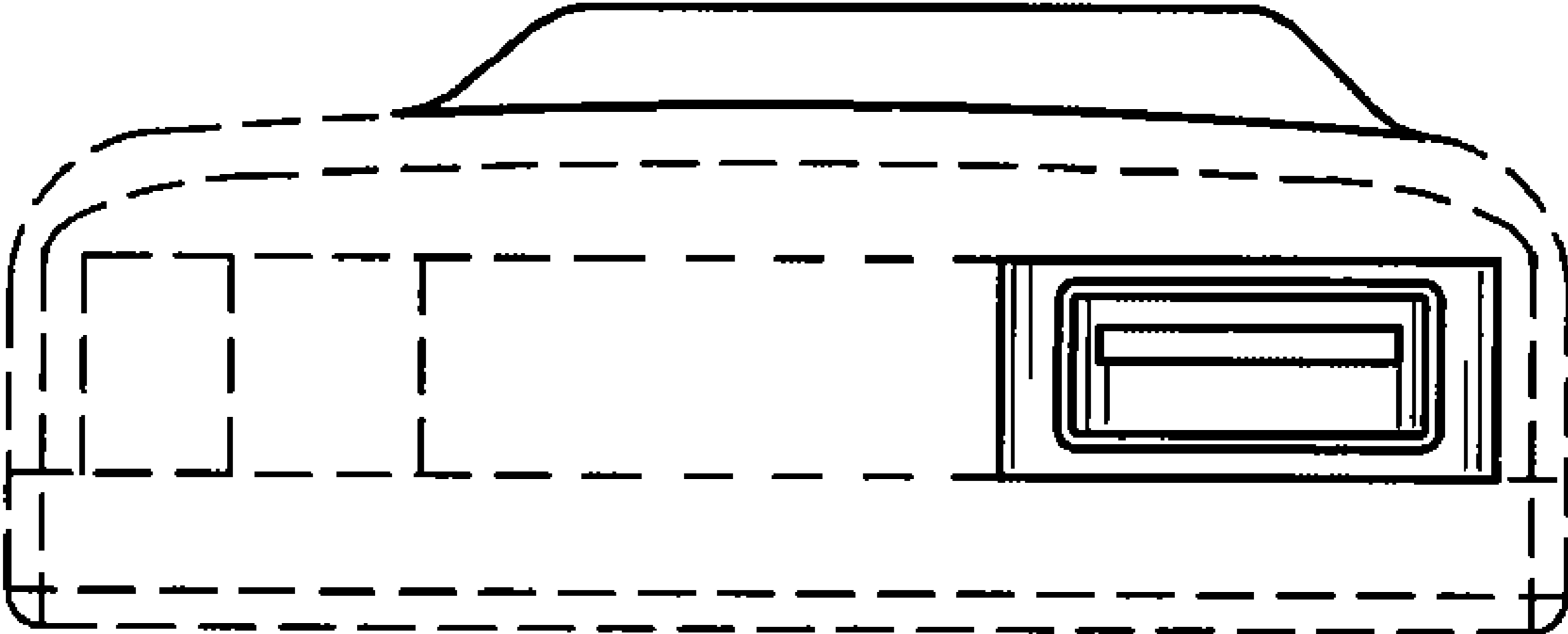


FIG. 5

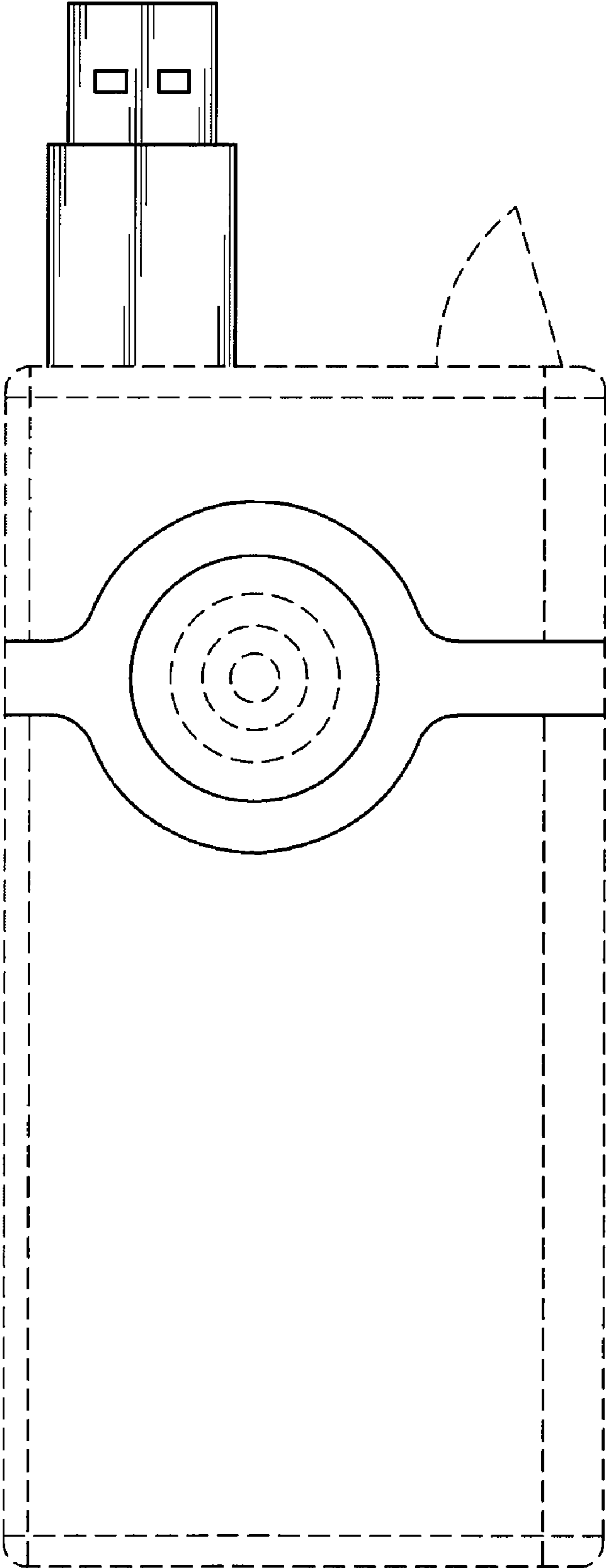


FIG.6

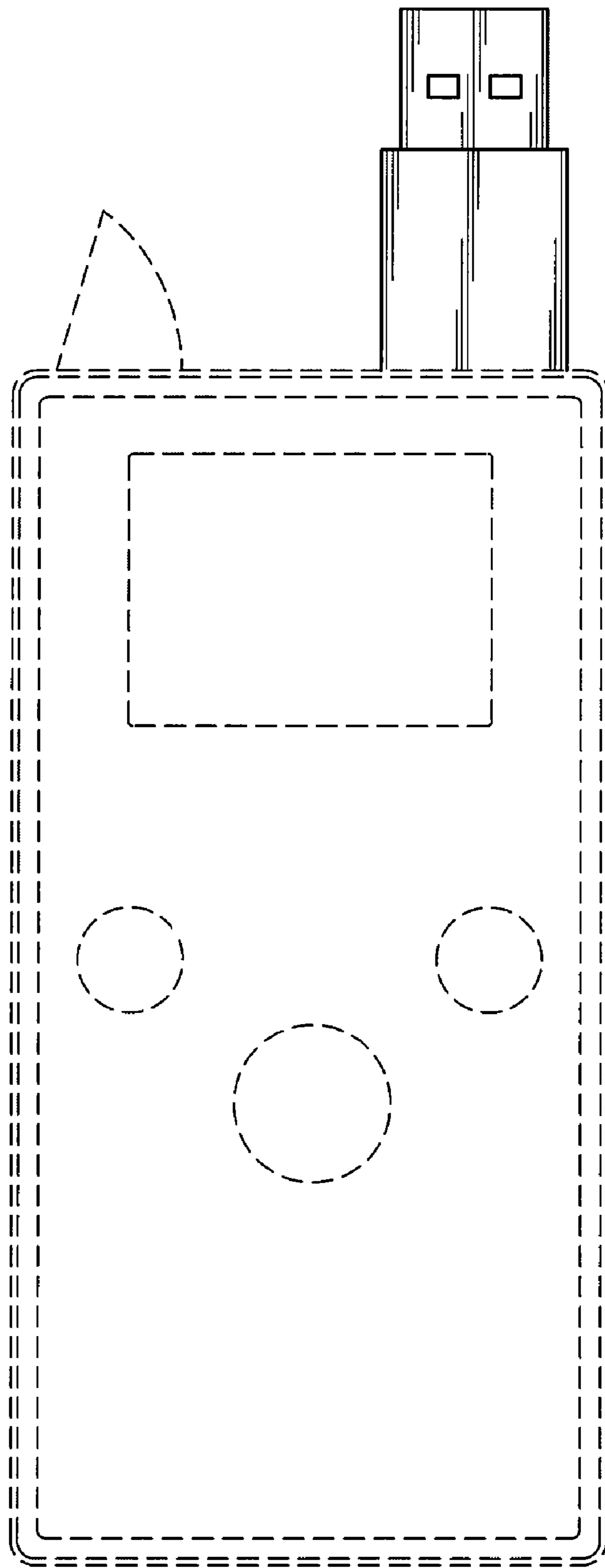


FIG. 7