



US00D636423S

(12) **United States Design Patent**
Ogino et al.

(10) **Patent No.:** **US D636,423 S**
(45) **Date of Patent:** **** Apr. 19, 2011**

(54) **DIGITAL CAMERA**

(75) Inventors: **Masaki Ogino**, Tokyo (JP); **Susumu Kamiya**, Kawasaki (JP); **Yosuke Nagayama**, Tokyo (JP)

(73) Assignee: **Casio Keisanki Kabushiki Kaisha**, Tokyo (JP)

(**) Term: **14 Years**

(21) Appl. No.: **29/369,910**

(22) Filed: **Sep. 15, 2010**

(51) **LOC (9) Cl.** **16-01**

(52) **U.S. Cl.** **D16/202**

(58) **Field of Classification Search** D16/200,
D16/202, 204, 208, 211, 218; 348/373, 375;
396/349, 448, 535

See application file for complete search history.

(56) **References Cited**

U.S. PATENT DOCUMENTS

D416,270 S * 11/1999 Harata D16/202
D449,628 S * 10/2001 Obata et al. D16/202
6,347,893 B1 * 2/2002 Shiono et al. 396/448

D501,496 S * 2/2005 Sadatsuki D16/218
D529,257 S * 10/2006 Tanio D16/202
D620,512 S * 7/2010 Kao D16/211

* cited by examiner

Primary Examiner — Adir Aronovich

(74) *Attorney, Agent, or Firm* — Holtz, Holtz, Goodman & Chick, PC

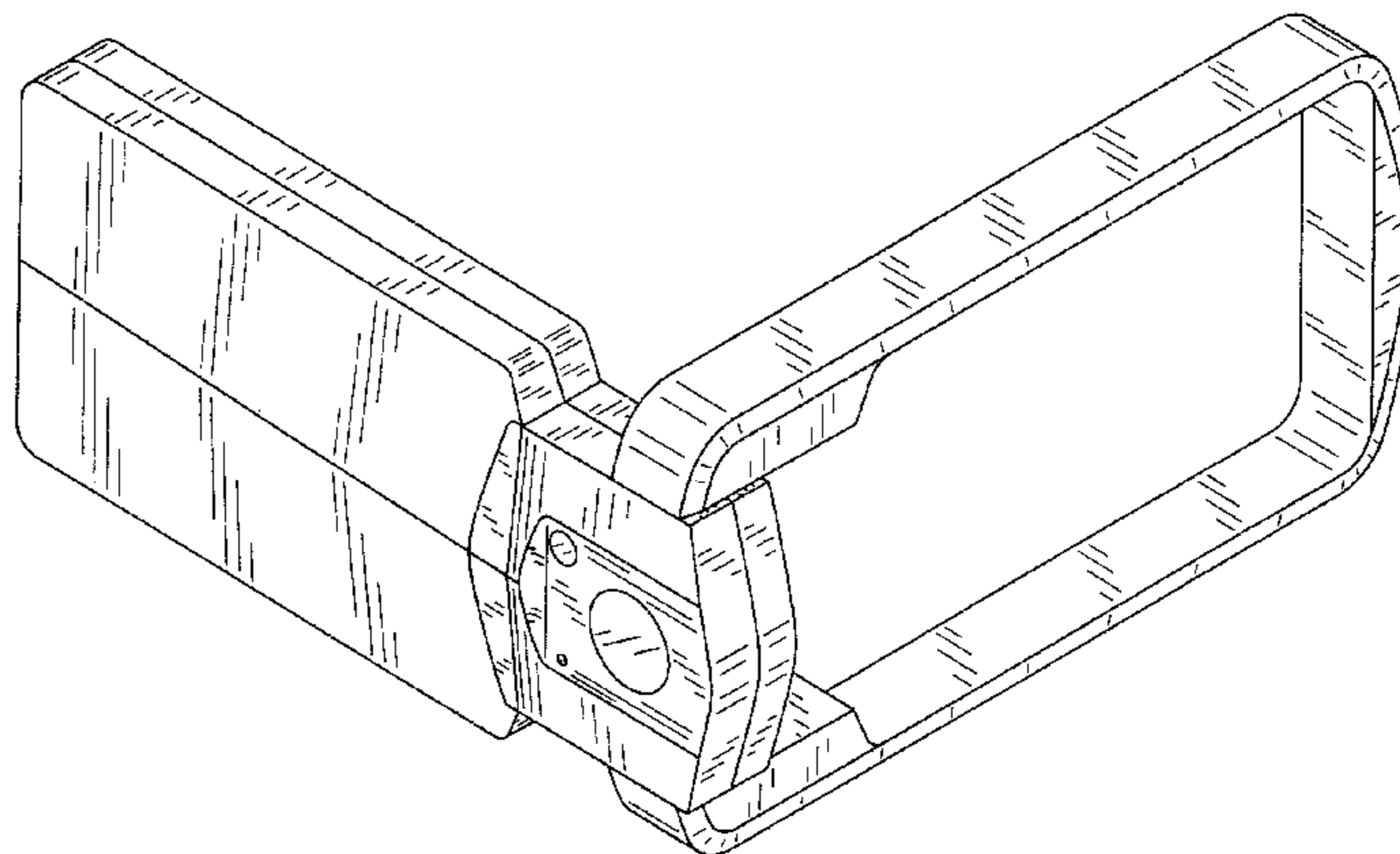
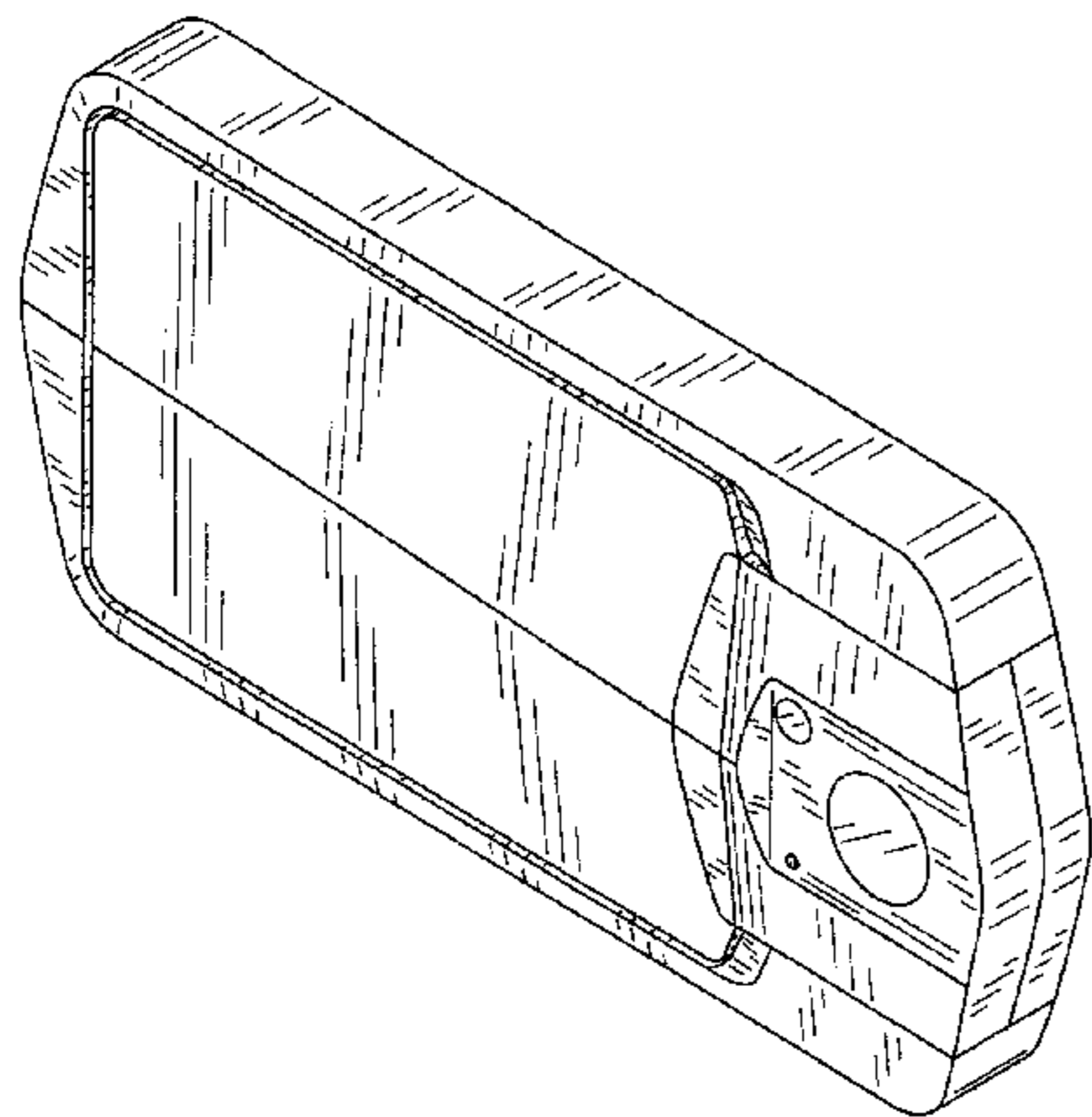
(57) **CLAIM**

The ornamental design for a digital camera, as shown and described.

DESCRIPTION

FIG. 1 is a front, right side, top perspective view of a digital camera showing our new design;
FIG. 2 is a front elevational view thereof;
FIG. 3 is a rear elevational view thereof;
FIG. 4 is a left side view thereof;
FIG. 5 is a right side view thereof;
FIG. 6 is a top plan view thereof;
FIG. 7 is a bottom plan view thereof;
FIG. 8 is a perspective view thereof showing a state in which a frame part is moved;
FIG. 9 is a perspective view thereof showing a state in which the frame part and a display part are moved; and,
FIG. 10 is a front elevational view thereof showing a state in which the display part is turned over.

1 Claim, 9 Drawing Sheets



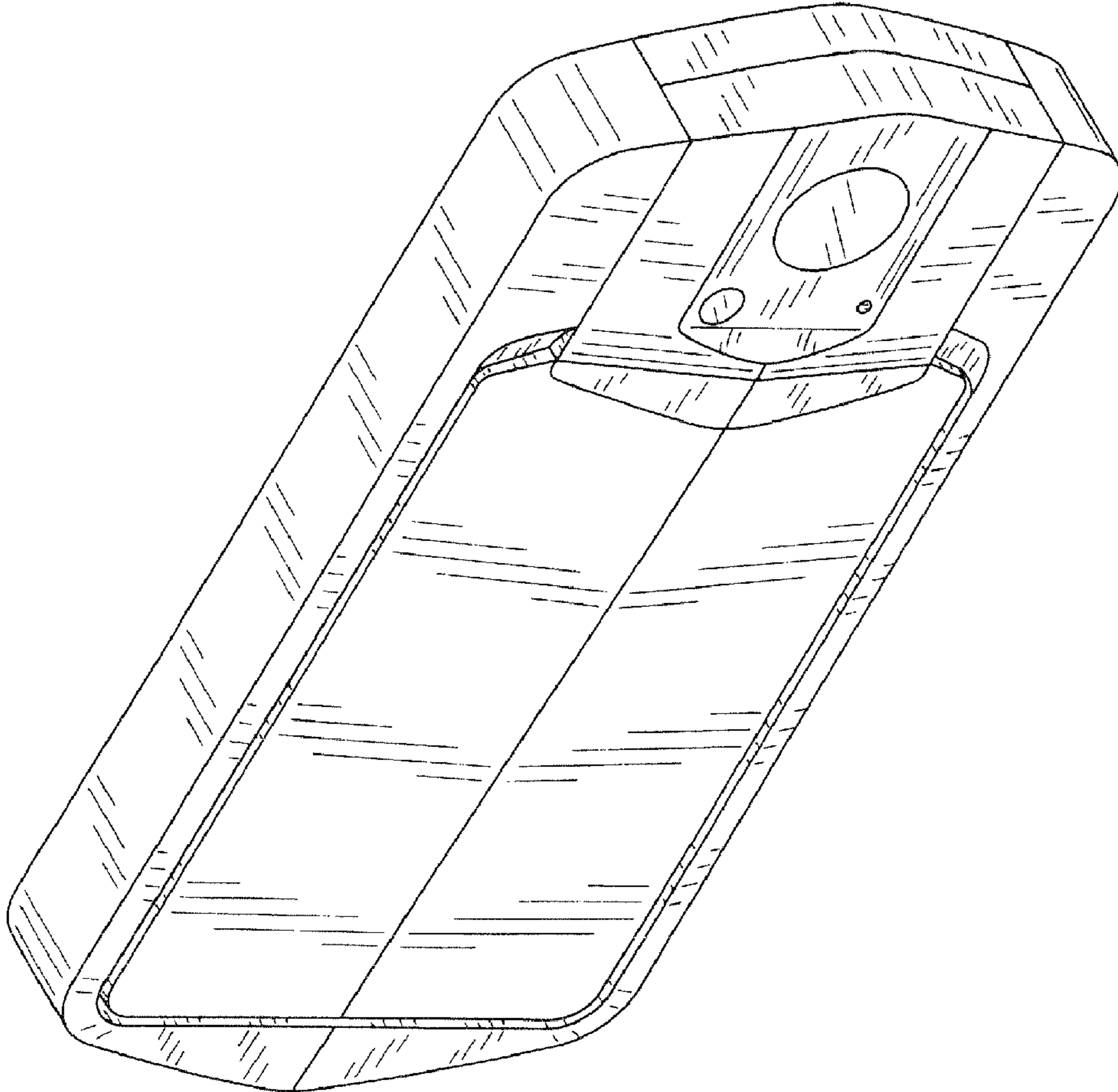


FIG. 1

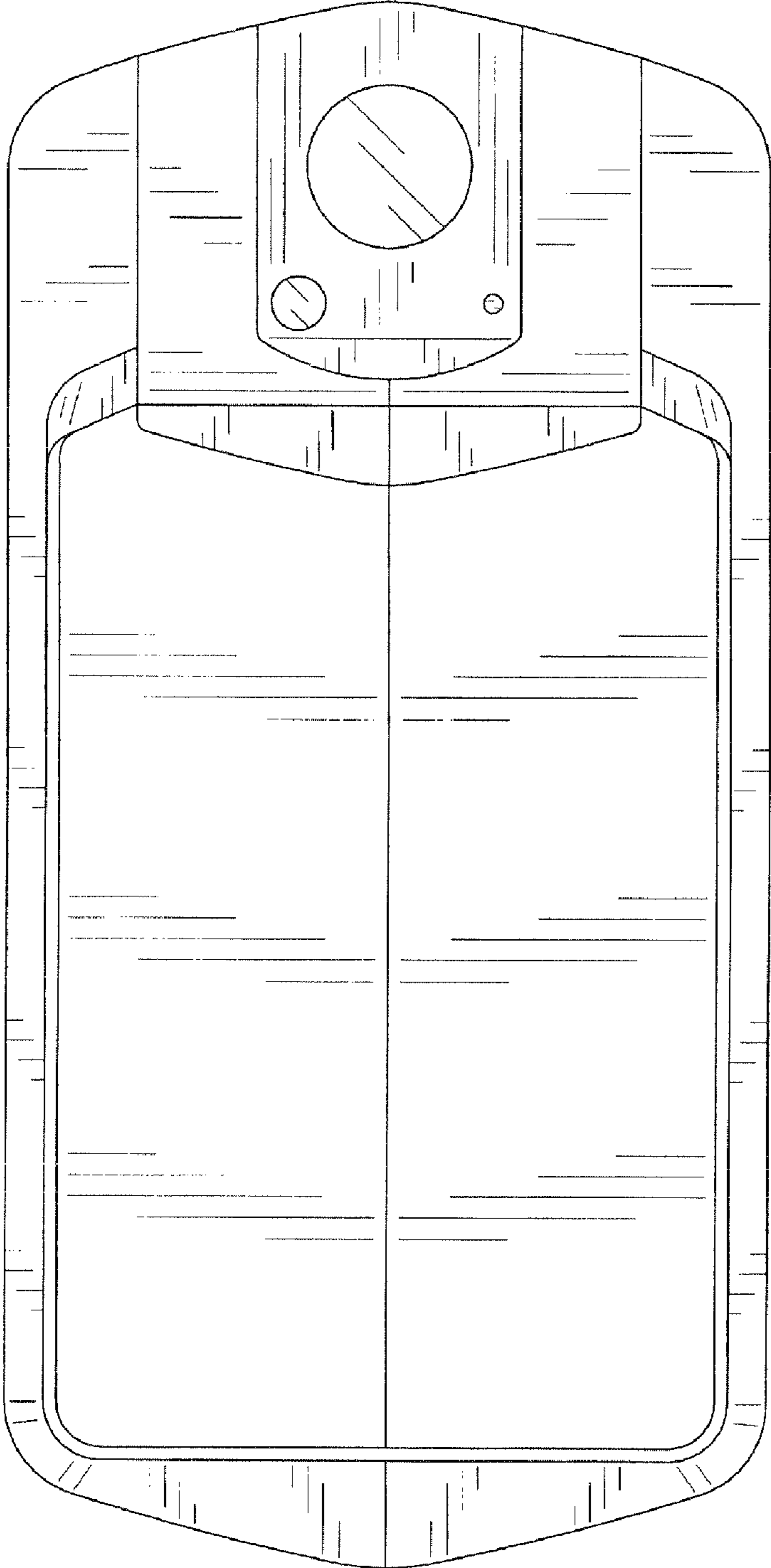


FIG. 2

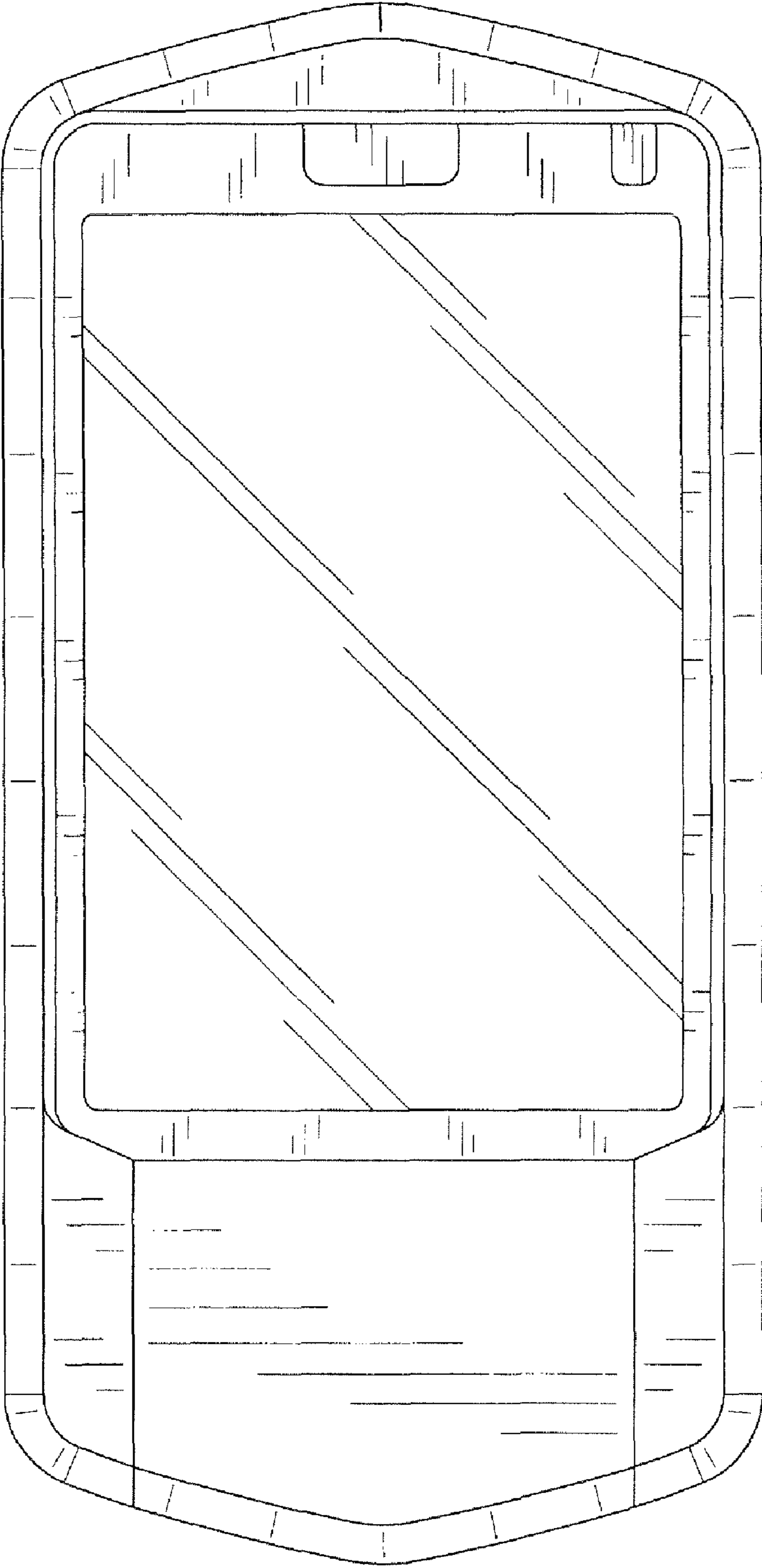


FIG. 3

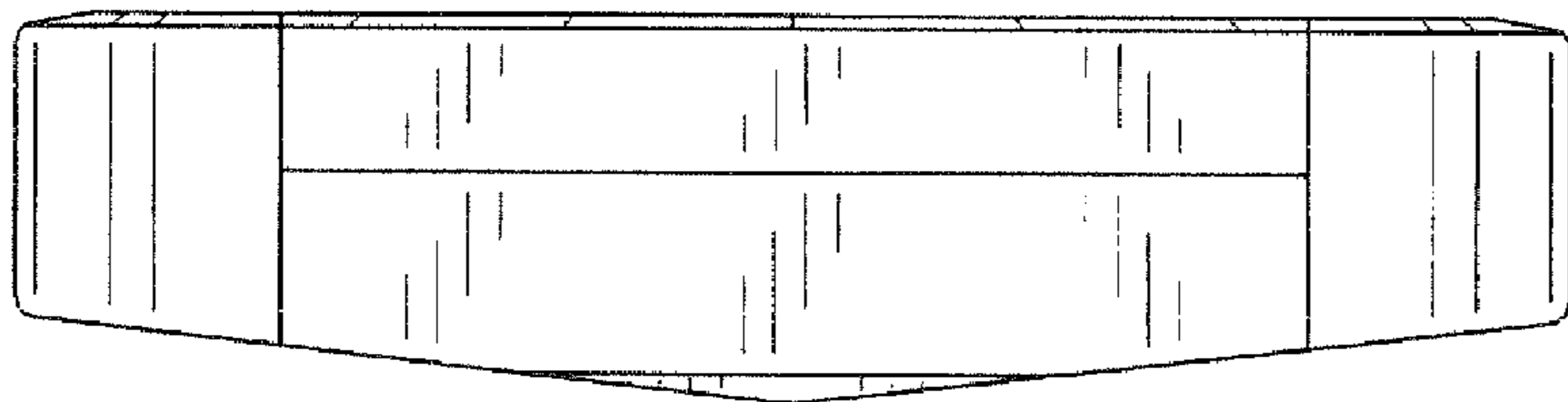


FIG. 5

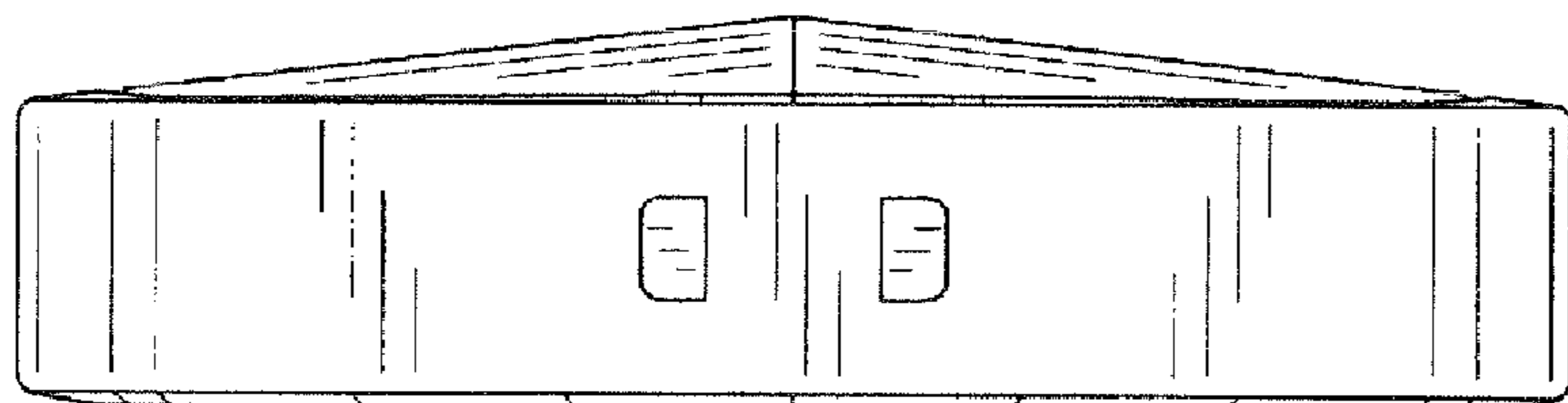


FIG. 4

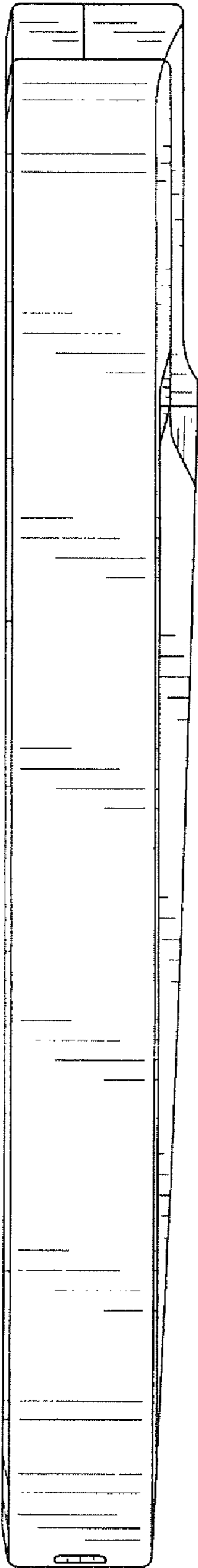


FIG. 6

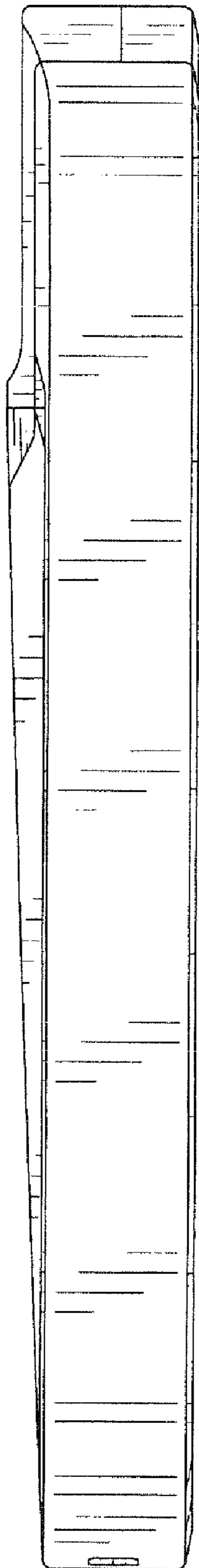


FIG. 7

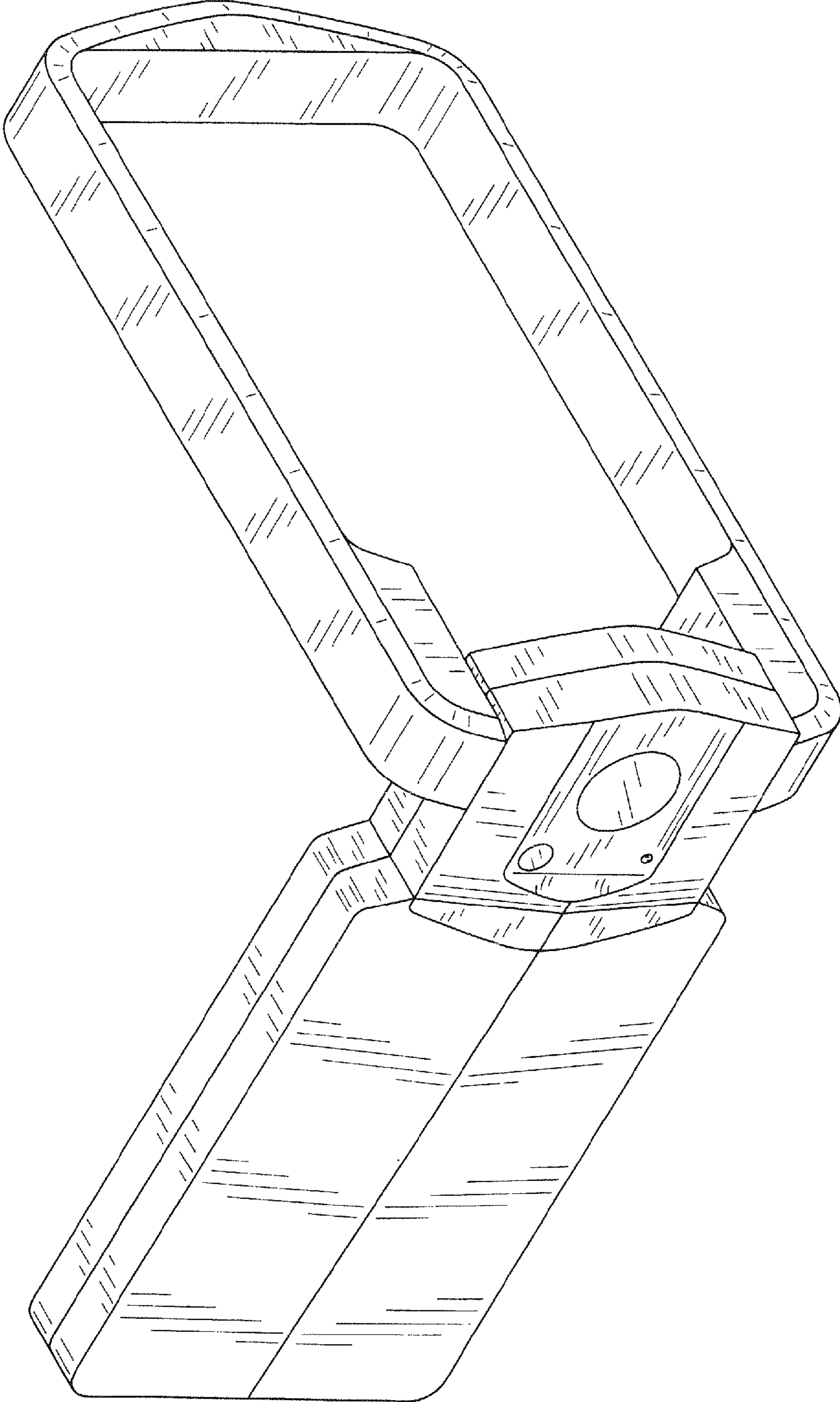


FIG. 8

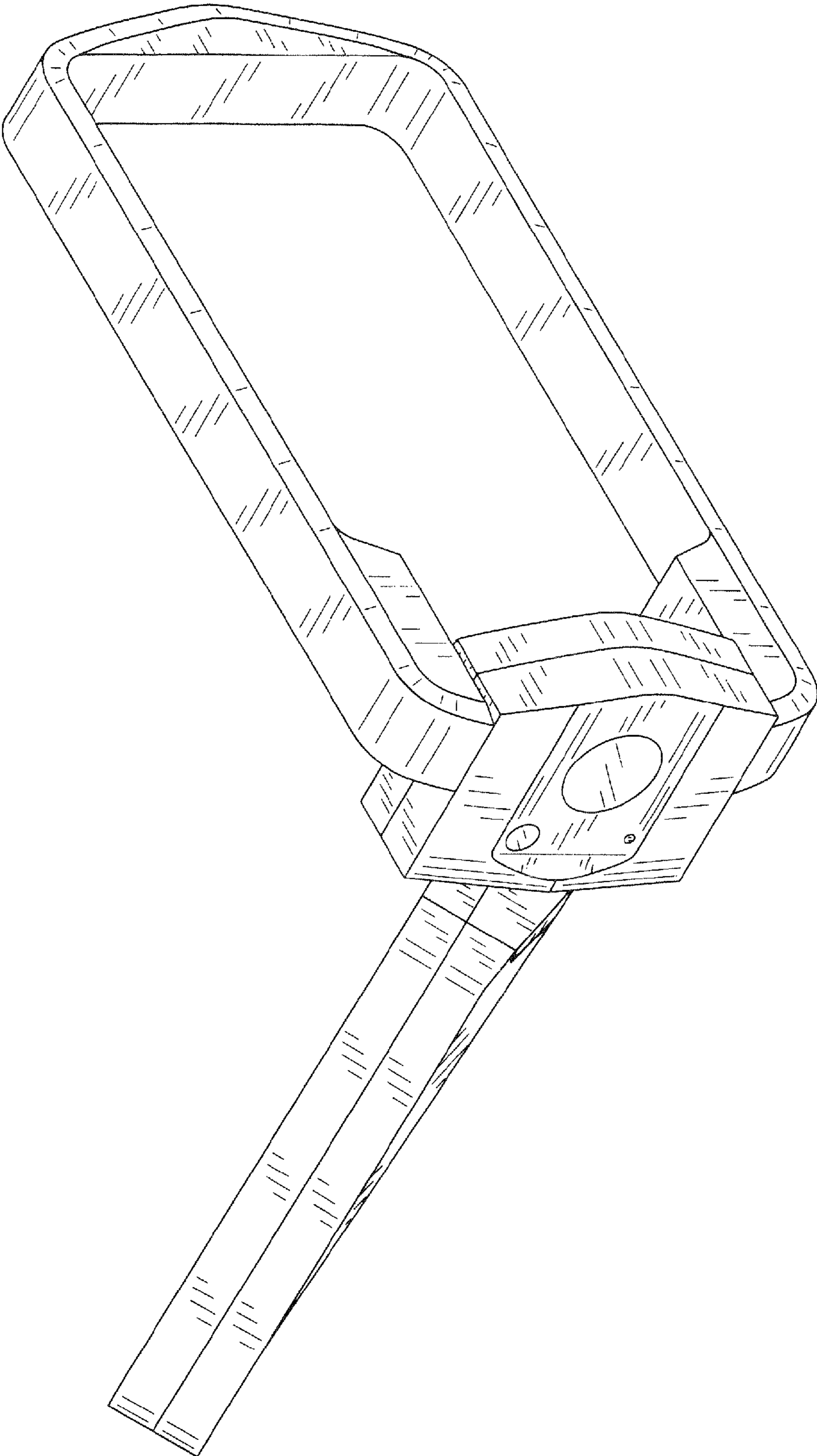


FIG. 9

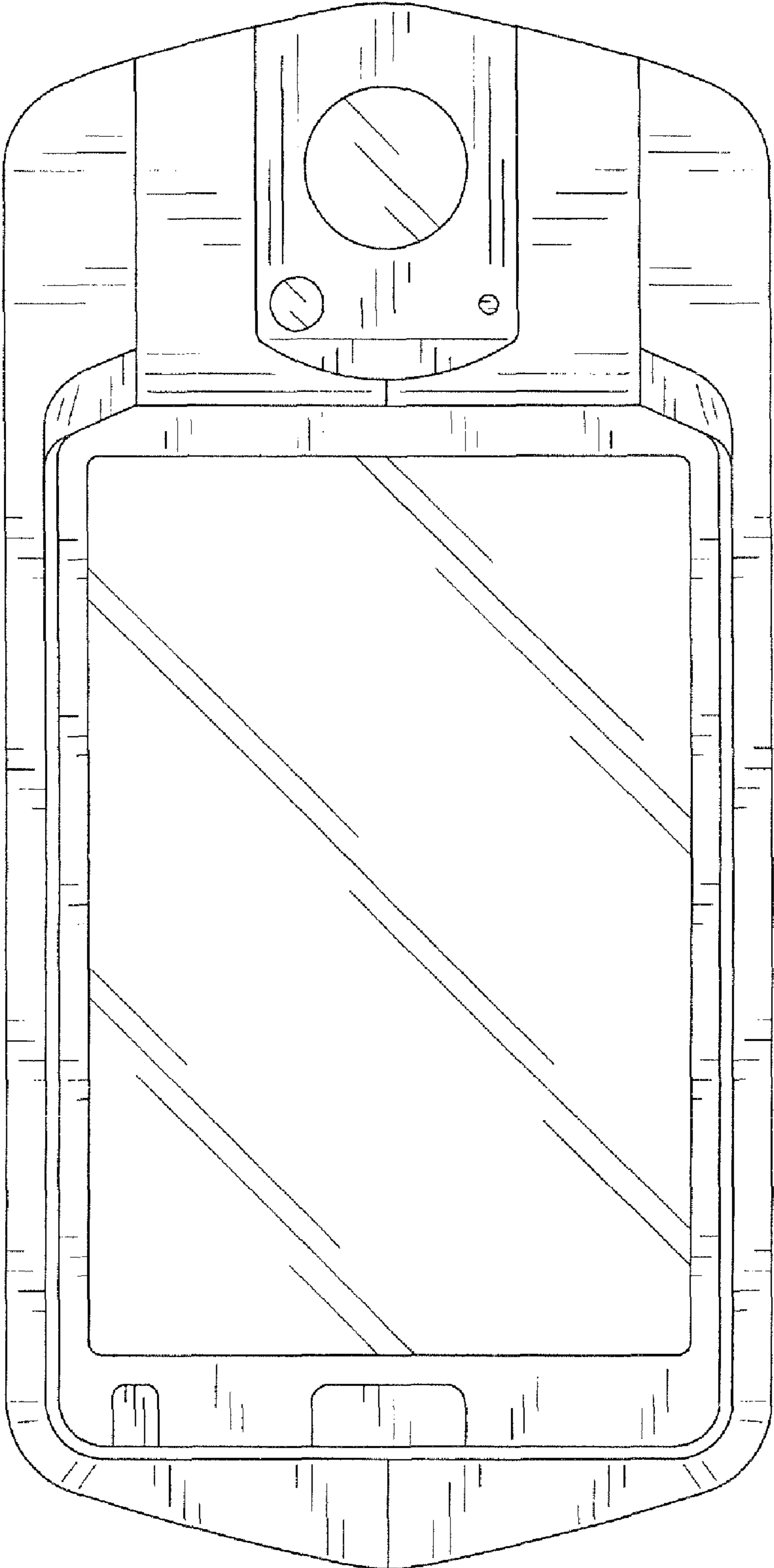


FIG. 10