



US00D636422S

(12) **United States Design Patent**  
**Hou**

(10) **Patent No.:** **US D636,422 S**

(45) **Date of Patent:** **\*\* Apr. 19, 2011**

(54) **WEBCAM**

(75) Inventor: **Hsiang-Fei Hou**, Taipei (TW)

(73) Assignee: **Cheng Uei Precision Industry Co., Ltd.**, Taipei (TW)

(\*\*) Term: **14 Years**

(21) Appl. No.: **29/369,135**

(22) Filed: **Sep. 2, 2010**

(51) **LOC (9) Cl.** ..... **16-01**

(52) **U.S. Cl.** ..... **D16/202**

(58) **Field of Classification Search** ..... D16/200,  
D16/202, 203, 204, 208, 218, 242; 348/373,  
348/375; 396/419, 427, 535

See application file for complete search history.

(56) **References Cited**

**U.S. PATENT DOCUMENTS**

D579,967 S \* 11/2008 Jones et al. .... D16/202  
7,500,794 B1 \* 3/2009 Clark ..... 396/427  
D600,730 S \* 9/2009 Su ..... D16/202

D627,814 S \* 11/2010 Tzeng et al. .... D16/202  
D629,031 S \* 12/2010 Su et al. .... D16/202  
D631,079 S \* 1/2011 Tzeng ..... D16/202  
D631,497 S \* 1/2011 Han et al. .... D16/242

\* cited by examiner

*Primary Examiner* — Adir Aronovich

(74) *Attorney, Agent, or Firm* — WPAT, P.C.; Anthony King

(57) **CLAIM**

The ornamental design for a webcam, as shown and described.

**DESCRIPTION**

FIG. 1 is a perspective view of a webcam showing my new design;

FIG. 2 is a front elevational view thereof;

FIG. 3 is a rear elevational view thereof;

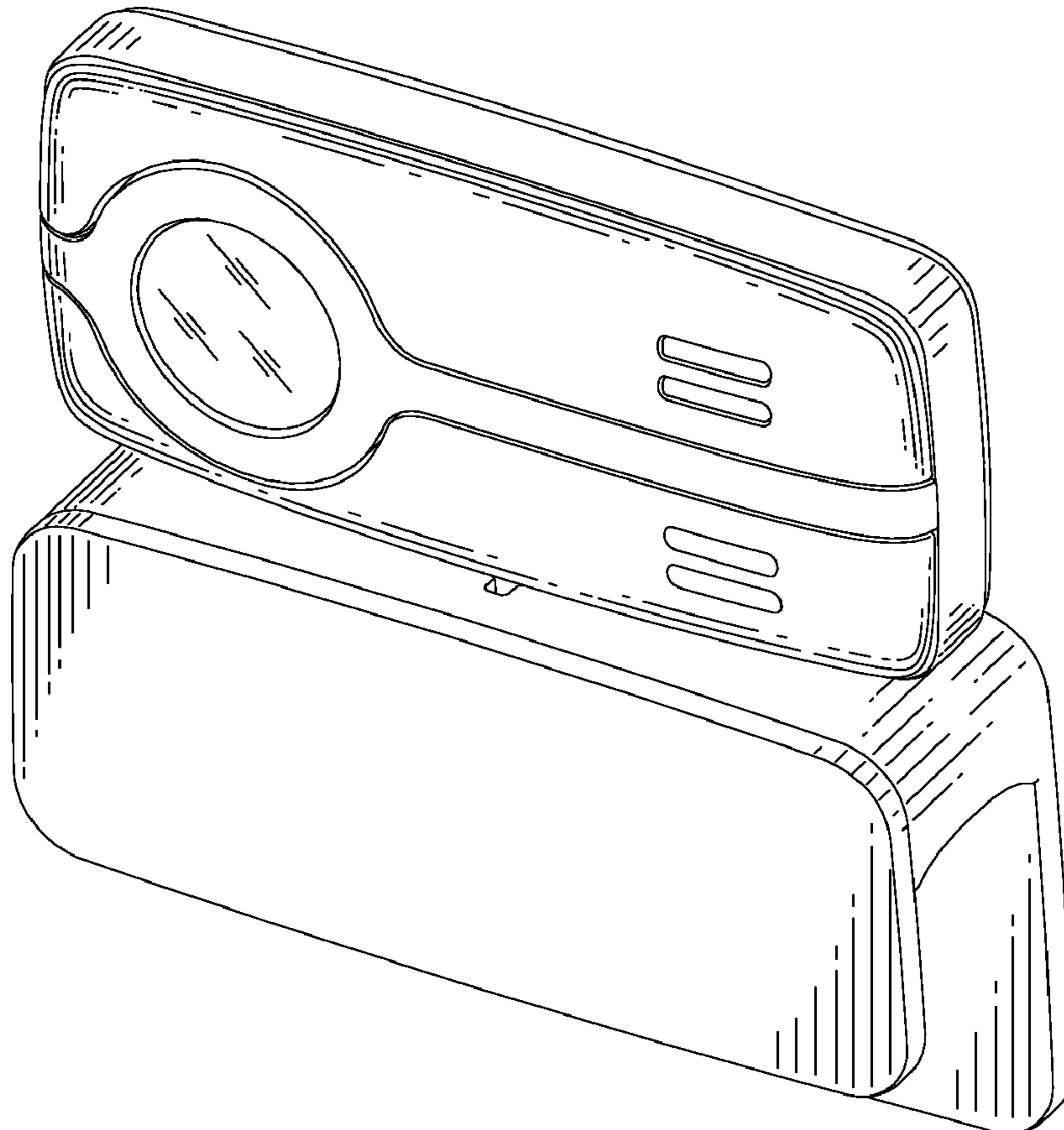
FIG. 4 is a left side elevational view thereof;

FIG. 5 is a right side elevational view thereof;

FIG. 6 is a top plan view thereof; and,

FIG. 7 is a bottom plan view thereof.

**1 Claim, 7 Drawing Sheets**



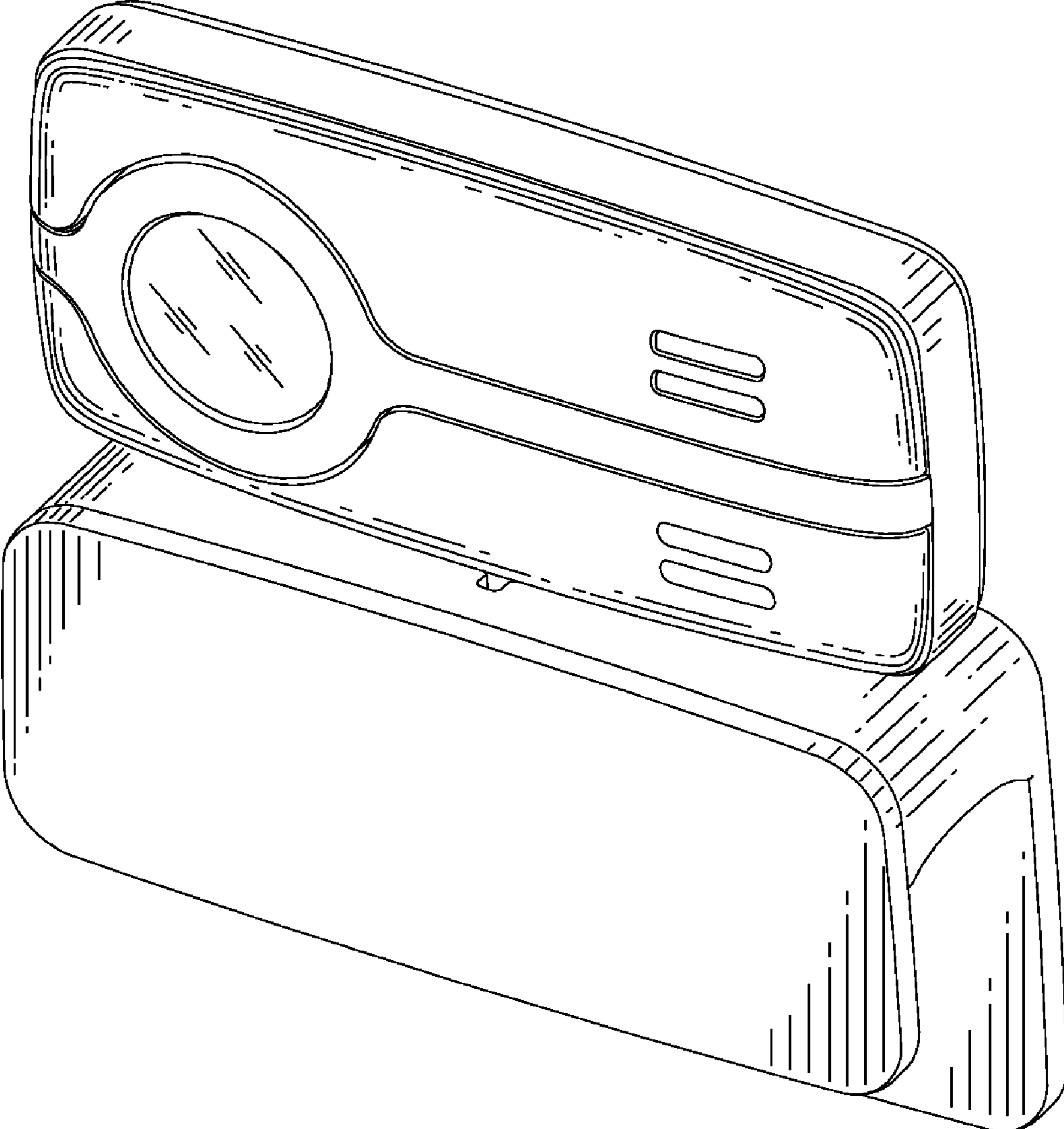


FIG. 1

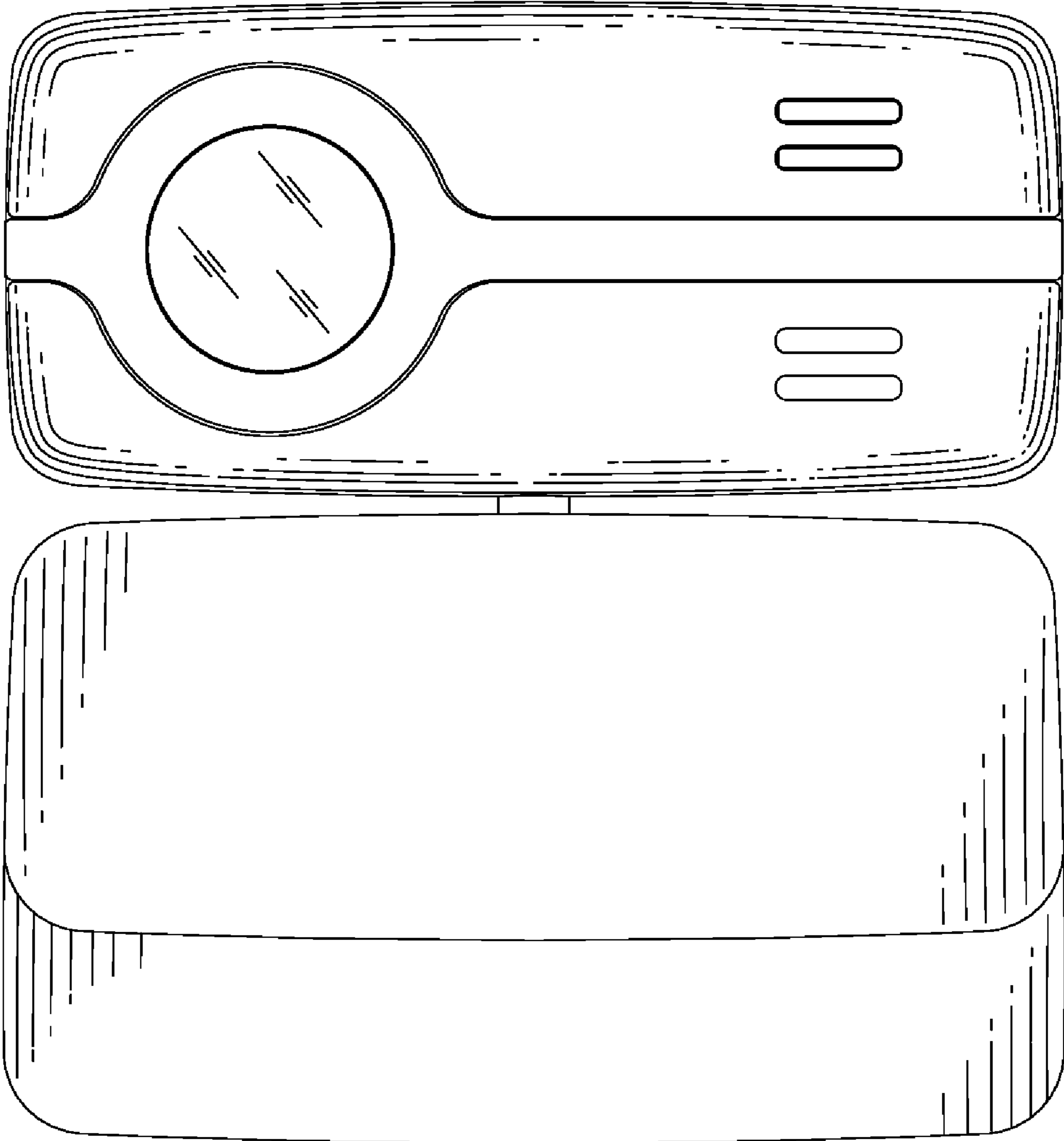


FIG. 2

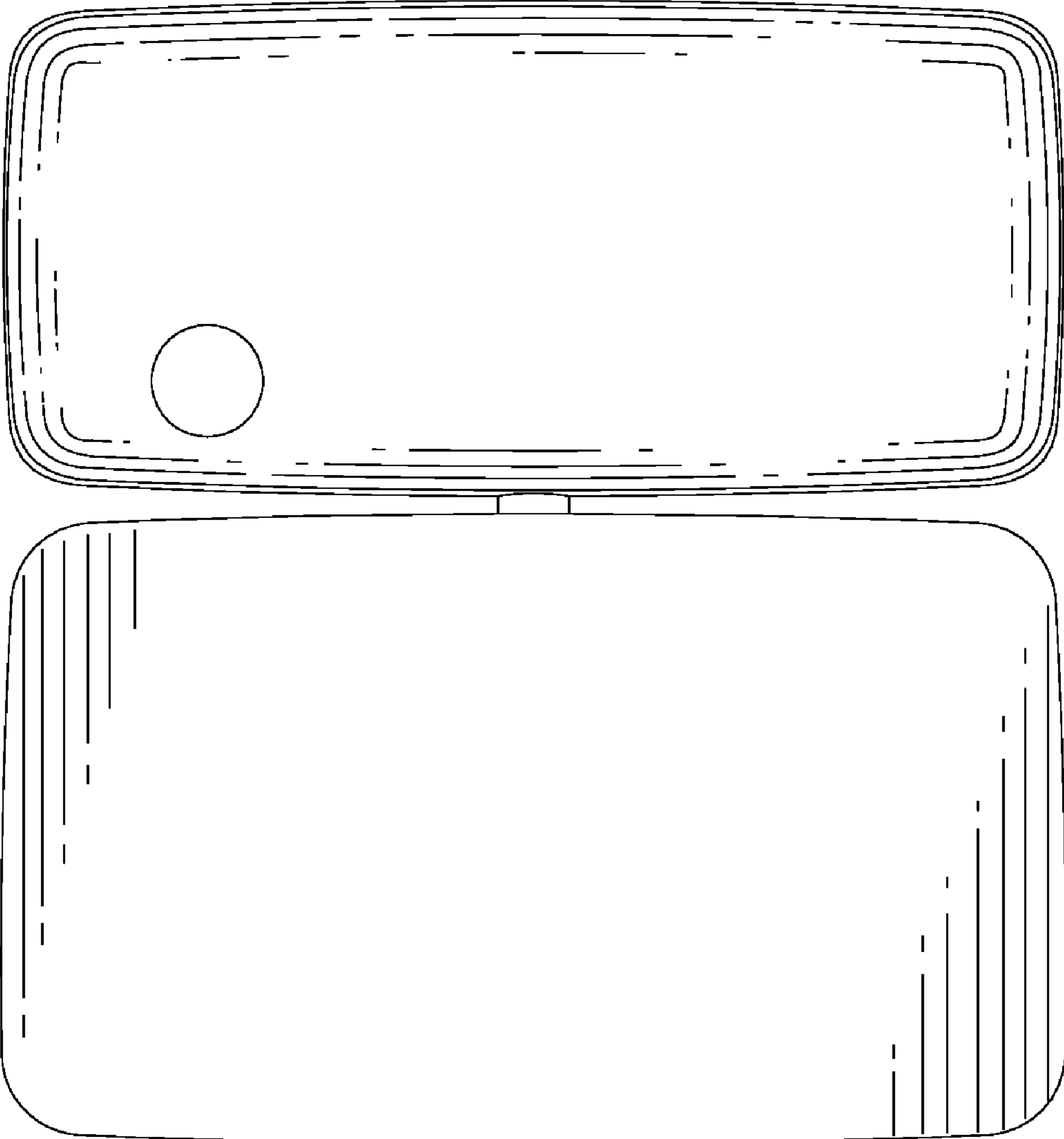


FIG. 3

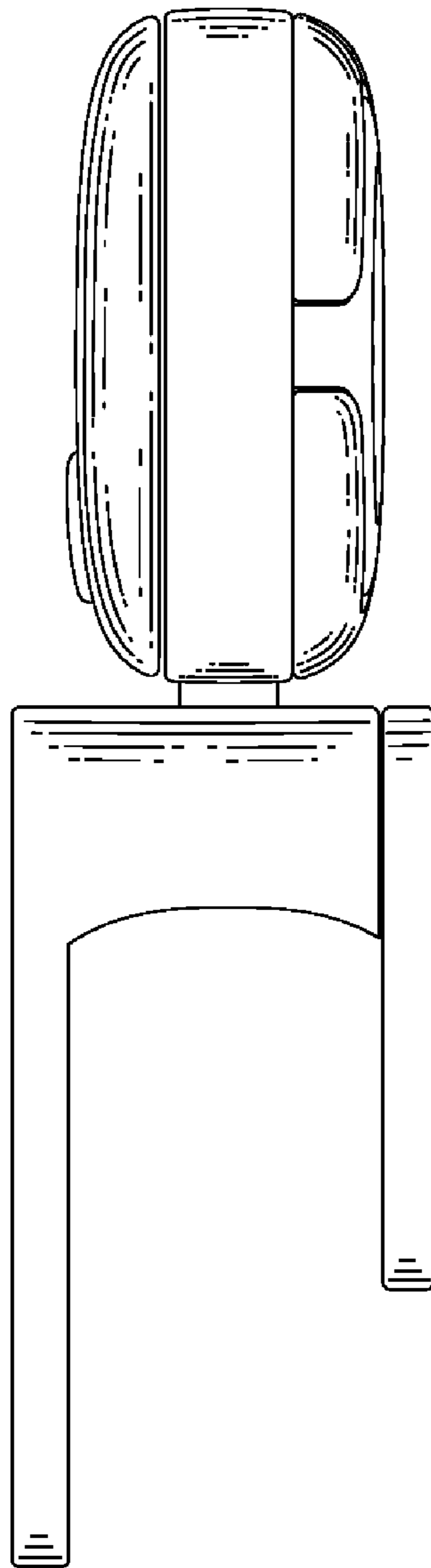


FIG. 4

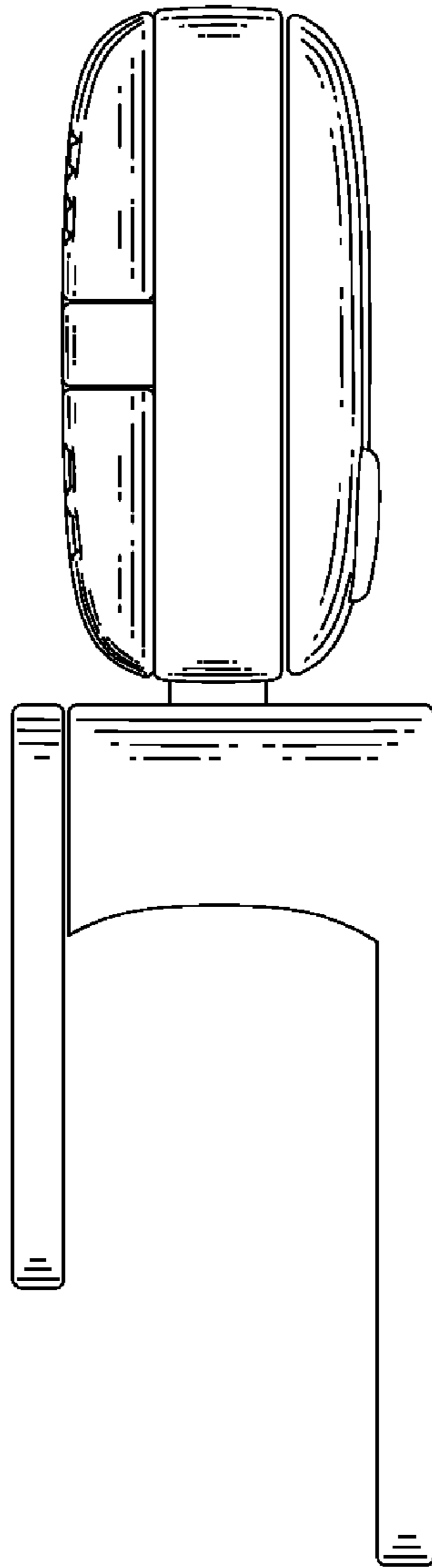


FIG. 5

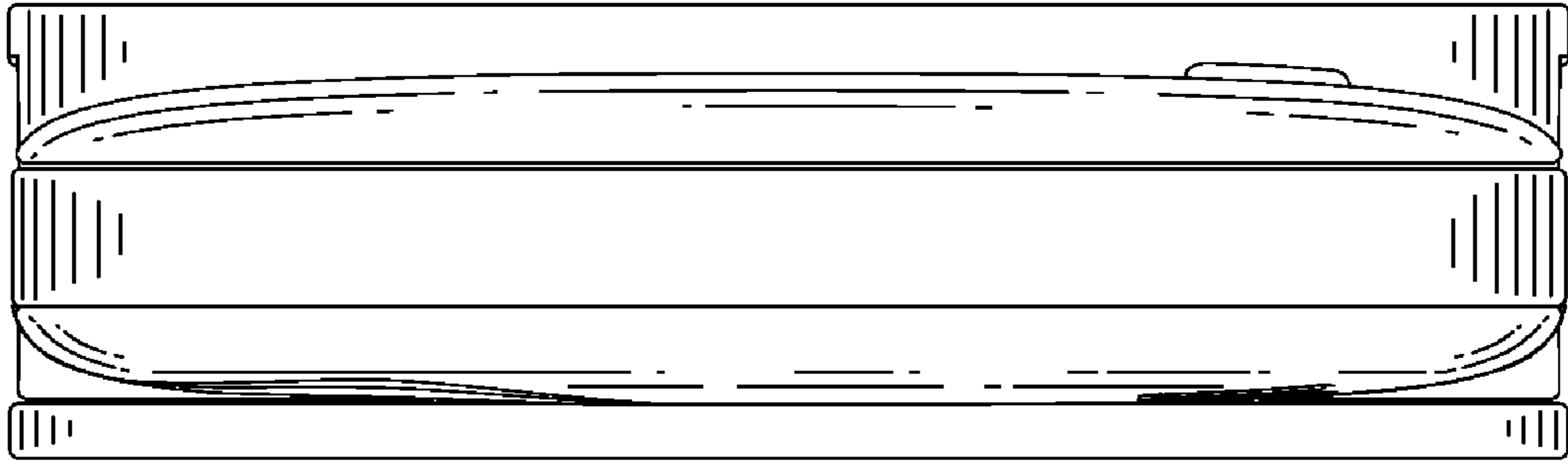


FIG. 6

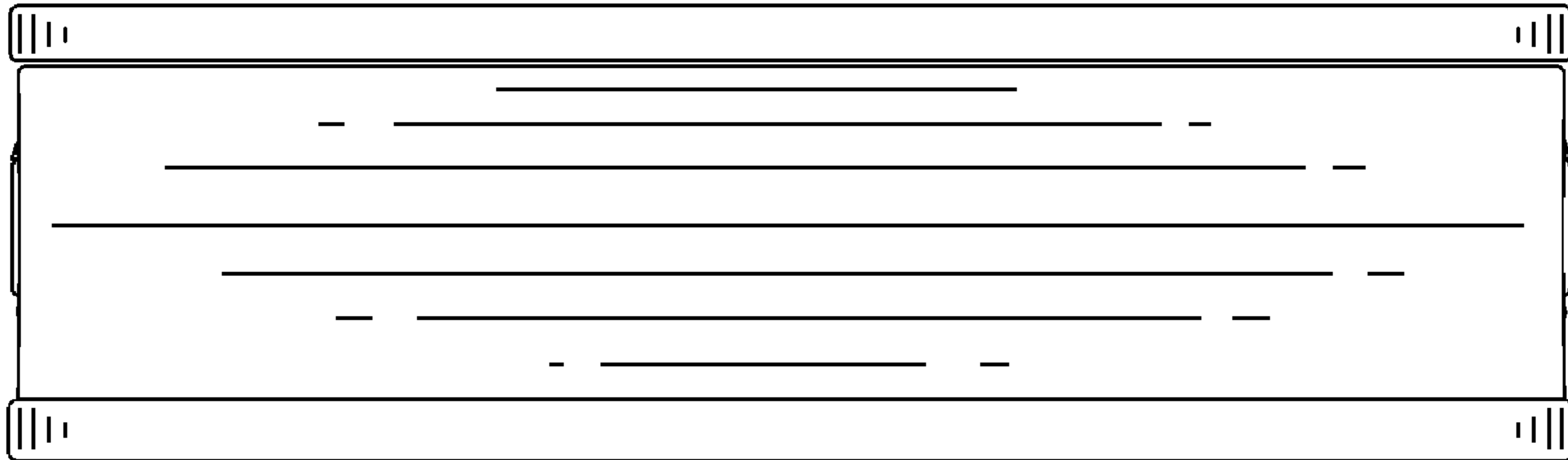


FIG. 7