



US00D636421S

(12) **United States Design Patent**
Sagen et al.

(10) **Patent No.:** **US D636,421 S**

(45) **Date of Patent:** **** Apr. 19, 2011**

(54) **CAMERA**

(75) Inventors: **Hallgrim Sagen**, Oslo (NO); **Bjørn Saunes**, Oslo (NO); **Knut Helge Teppan**, Asker (NO)

(73) Assignee: **Tandberg Telecom AS**, Lysaker (NO)

(**) Term: **14 Years**

(21) Appl. No.: **29/363,518**

(22) Filed: **Jun. 10, 2010**

(30) **Foreign Application Priority Data**

Dec. 11, 2009 (NO) 20090655

(51) **LOC (9) Cl.** **16-01**

(52) **U.S. Cl.** **D16/202**

(58) **Field of Classification Search** D16/200,
D16/202-205, 208, 218, 242; 348/143, 373-376;
358/906; 396/419, 427, 428, 535
See application file for complete search history.

(56) **References Cited**

U.S. PATENT DOCUMENTS

D203,899 S * 2/1966 Yanagisawa D16/218
D446,535 S * 8/2001 Chang D16/203

6,437,826 B1 * 8/2002 Arnold 348/373
D497,925 S * 11/2004 Zhang et al. D16/202
6,831,697 B1 * 12/2004 Chang 348/373
D536,719 S * 2/2007 Lukic et al. D16/202
D571,839 S * 6/2008 Andresen D16/202
D627,811 S * 11/2010 Andresen et al. D16/202

* cited by examiner

Primary Examiner — Adir Aronovich

(74) *Attorney, Agent, or Firm* — Oblon, Spivak,
McClelland, Maier & Neustadt, L.L.P.

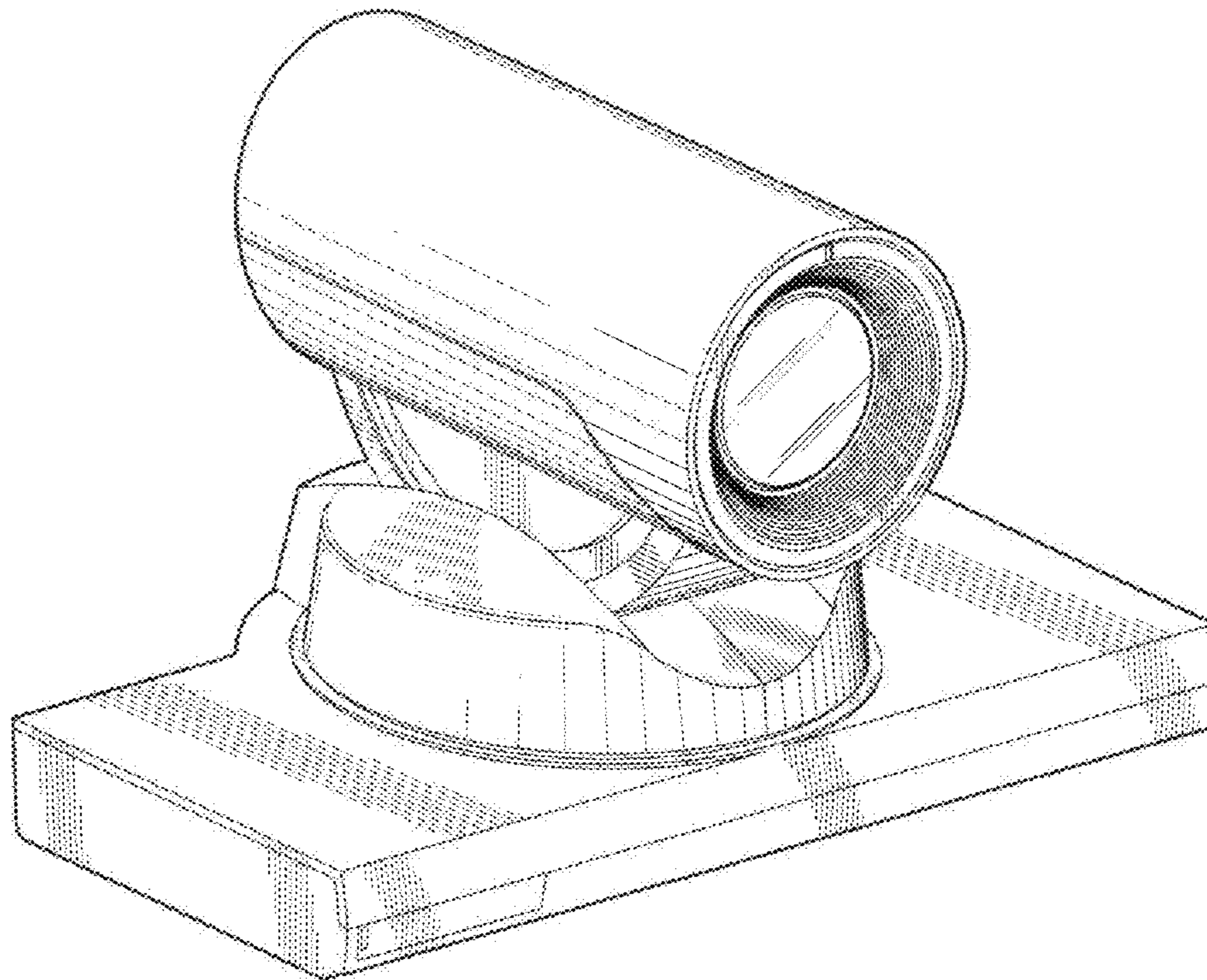
(57) **CLAIM**

The ornamental design for a camera, as shown and described.

DESCRIPTION

FIG. 1 is a front, top, and left side perspective view of a camera;
FIG. 2 is a front elevational view thereof;
FIG. 3 is a rear elevational view thereof;
FIG. 4 is a right side elevational view thereof;
FIG. 5 is a left side elevational view thereof;
FIG. 6 is a top plan view thereof; and,
FIG. 7 is a bottom plan view thereof.
The broken lines in the drawings depict environmental subject matter only and form no part of the claimed design.

1 Claim, 7 Drawing Sheets



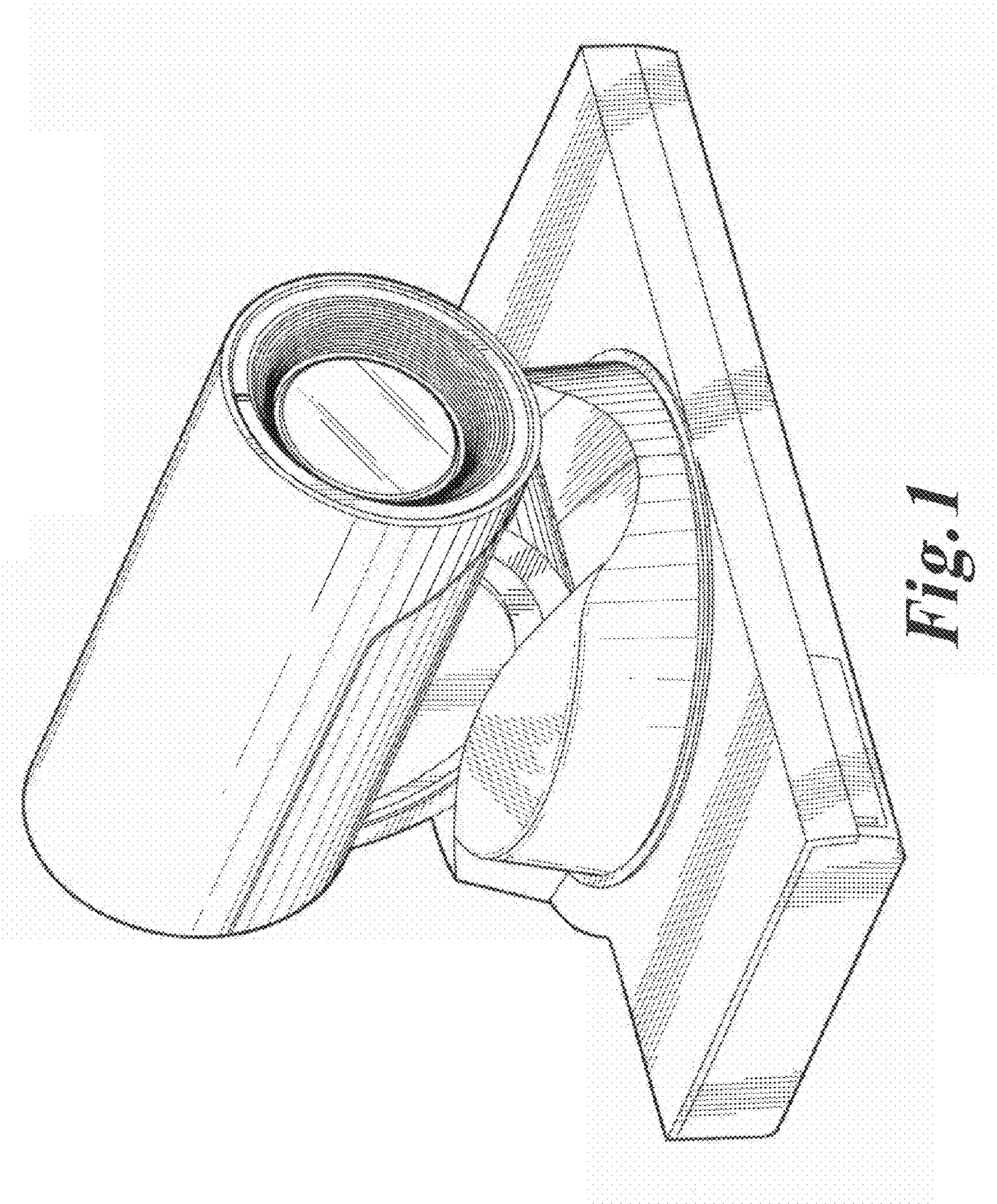
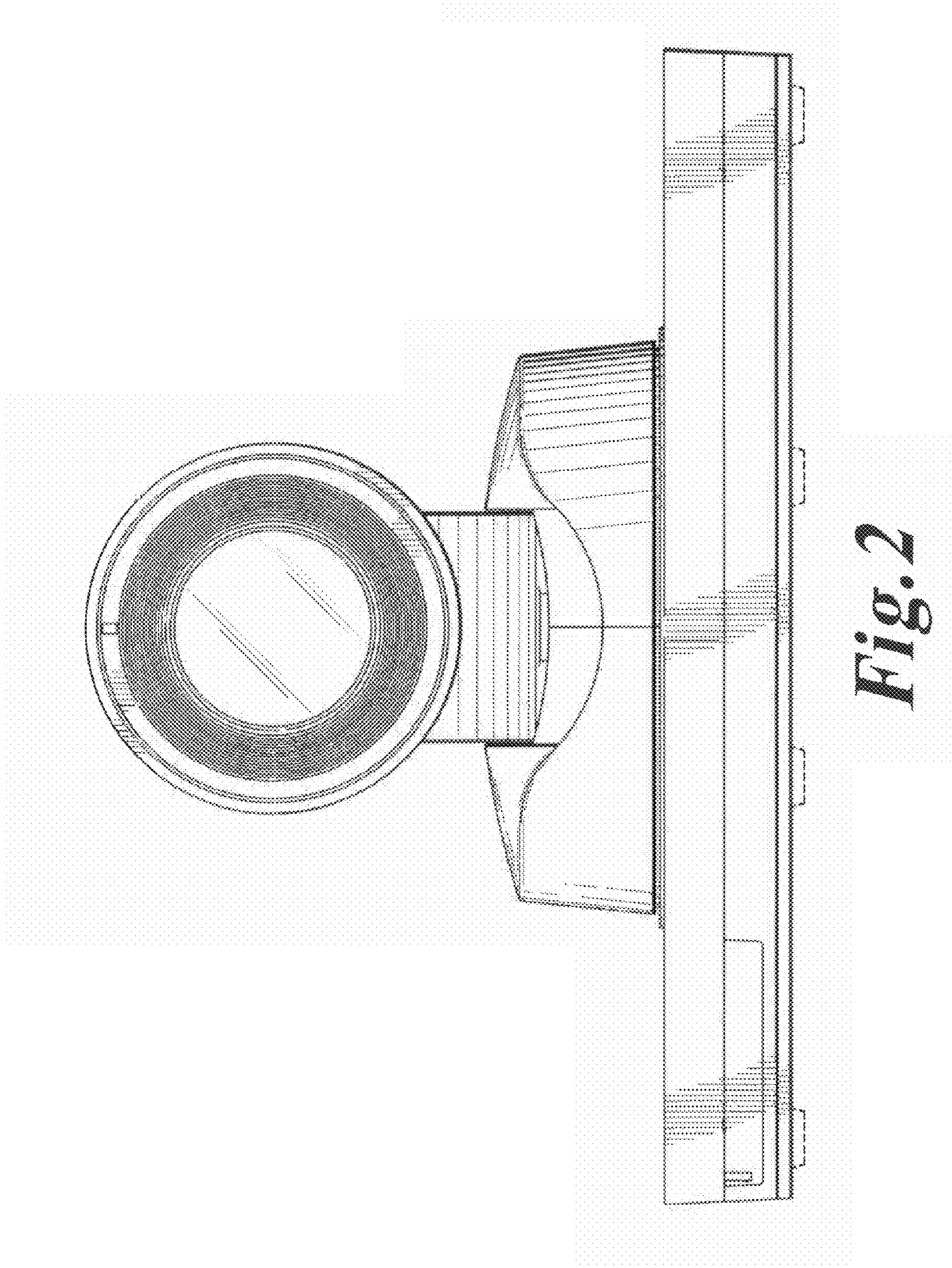


Fig. 1



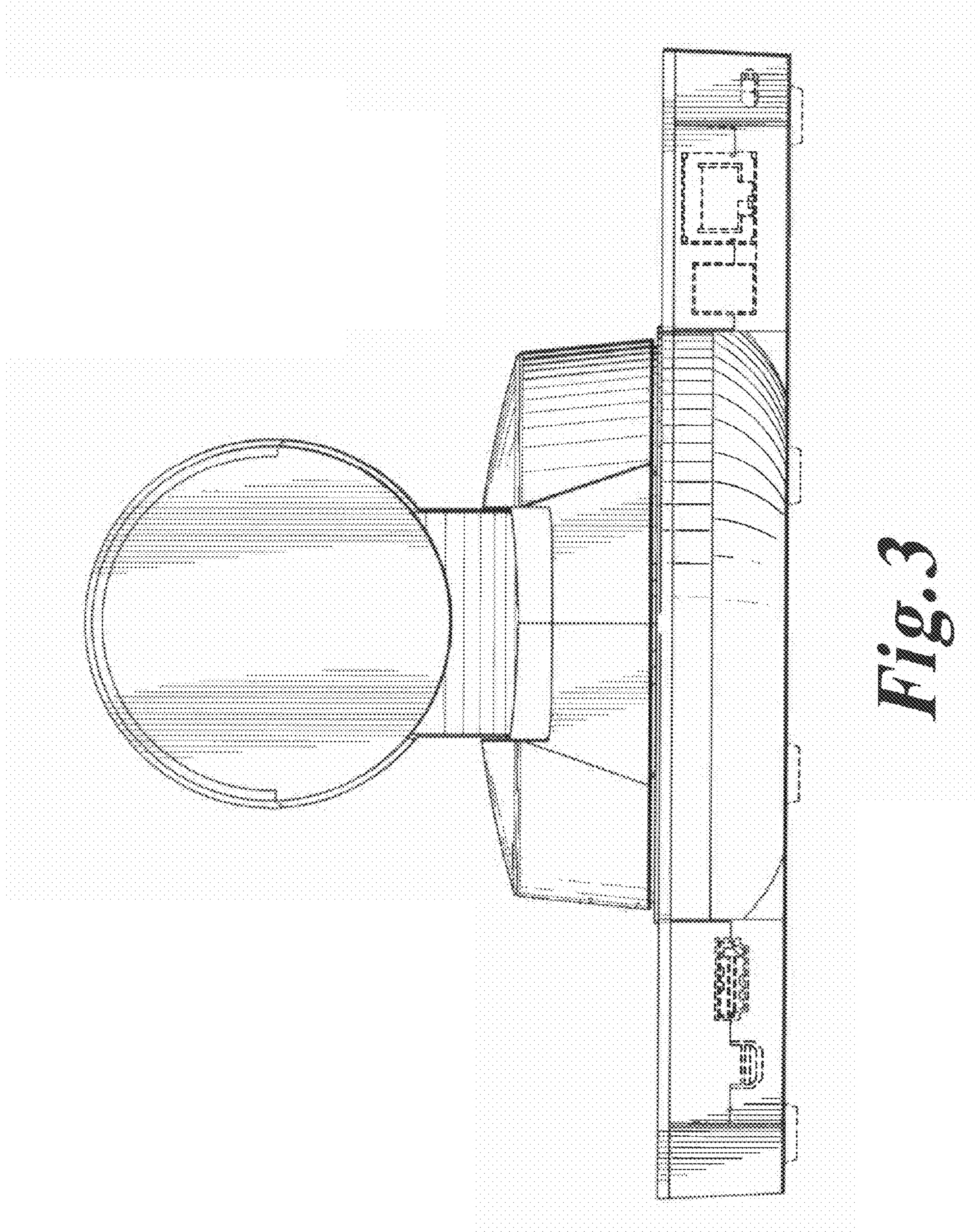
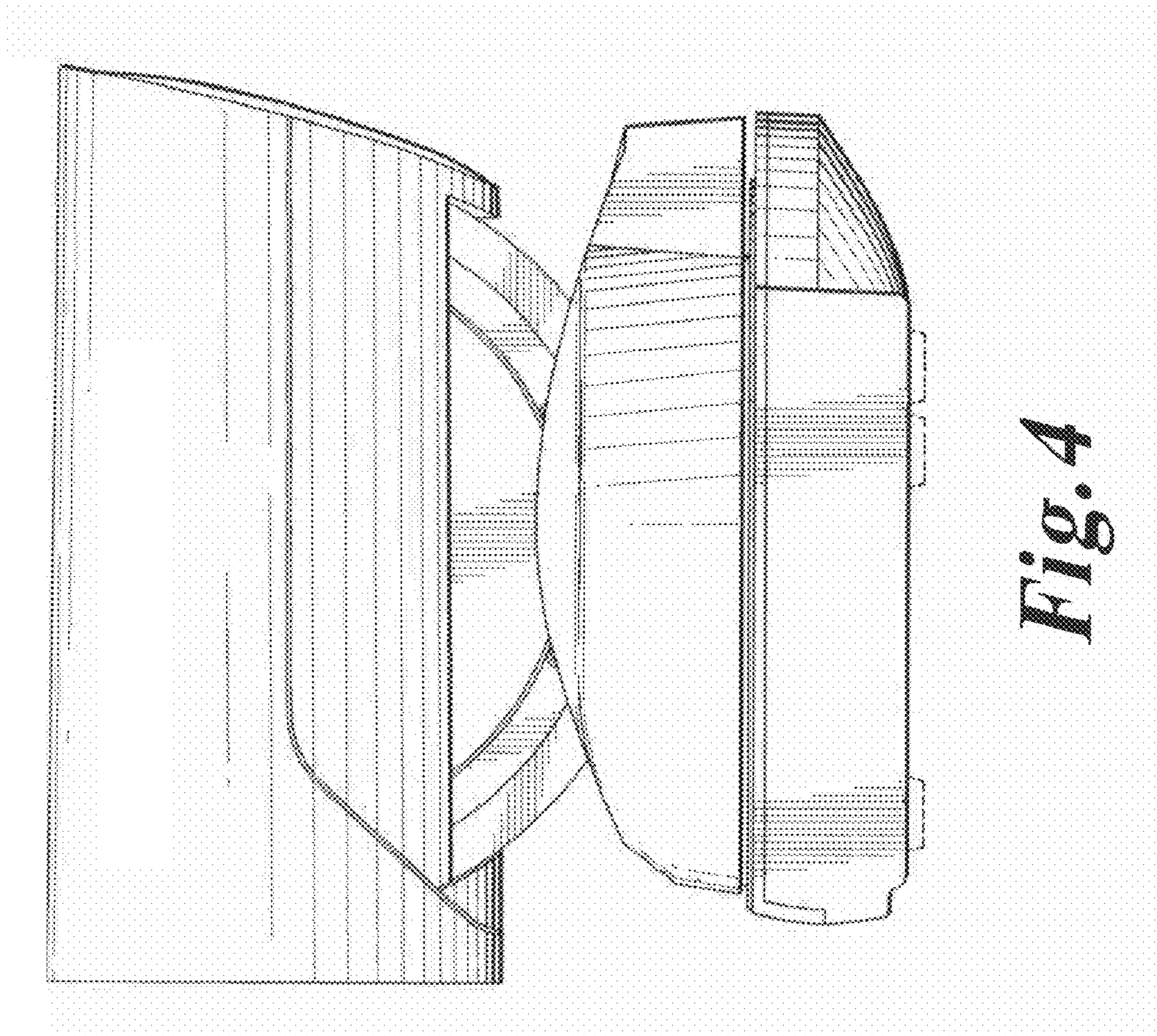


Fig. 3



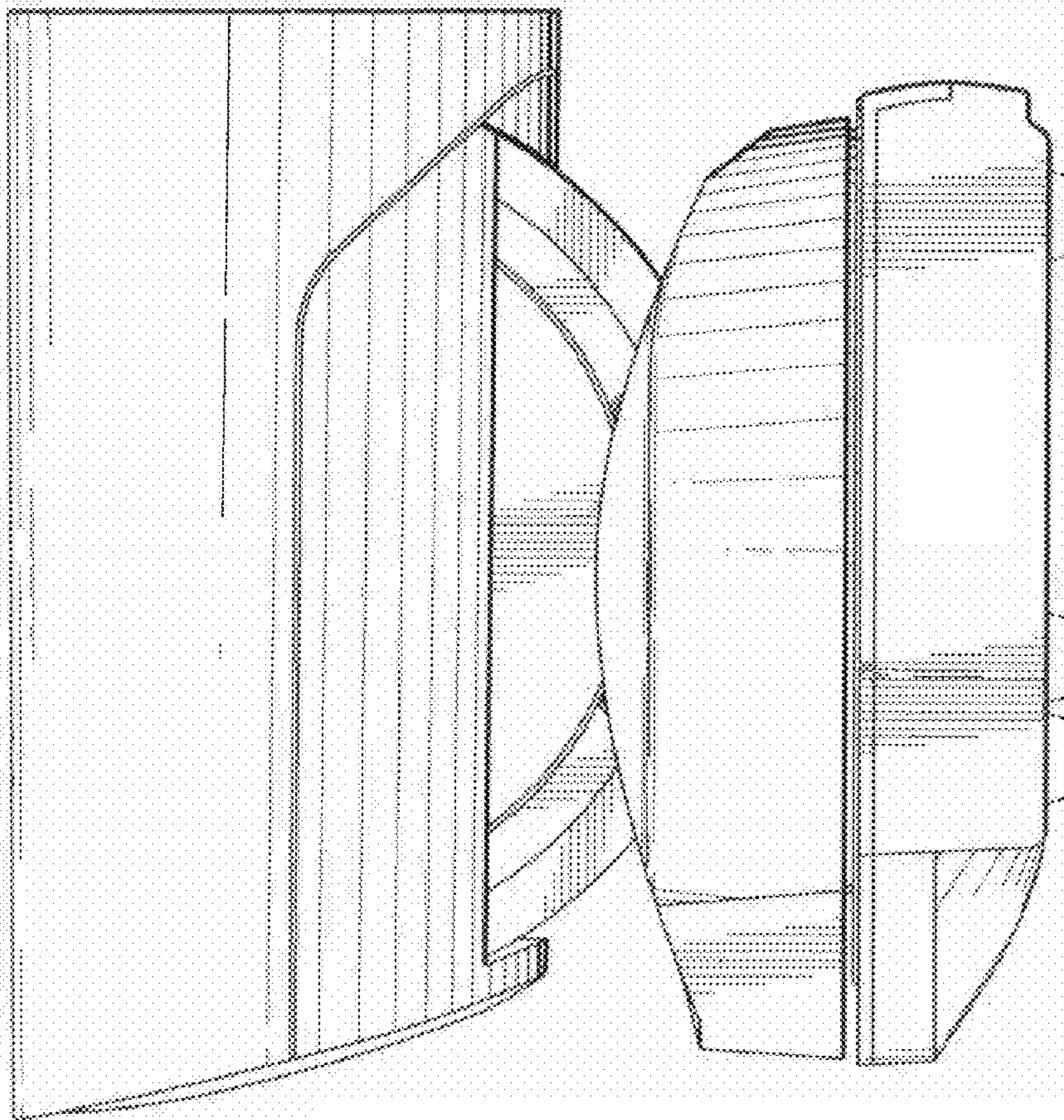
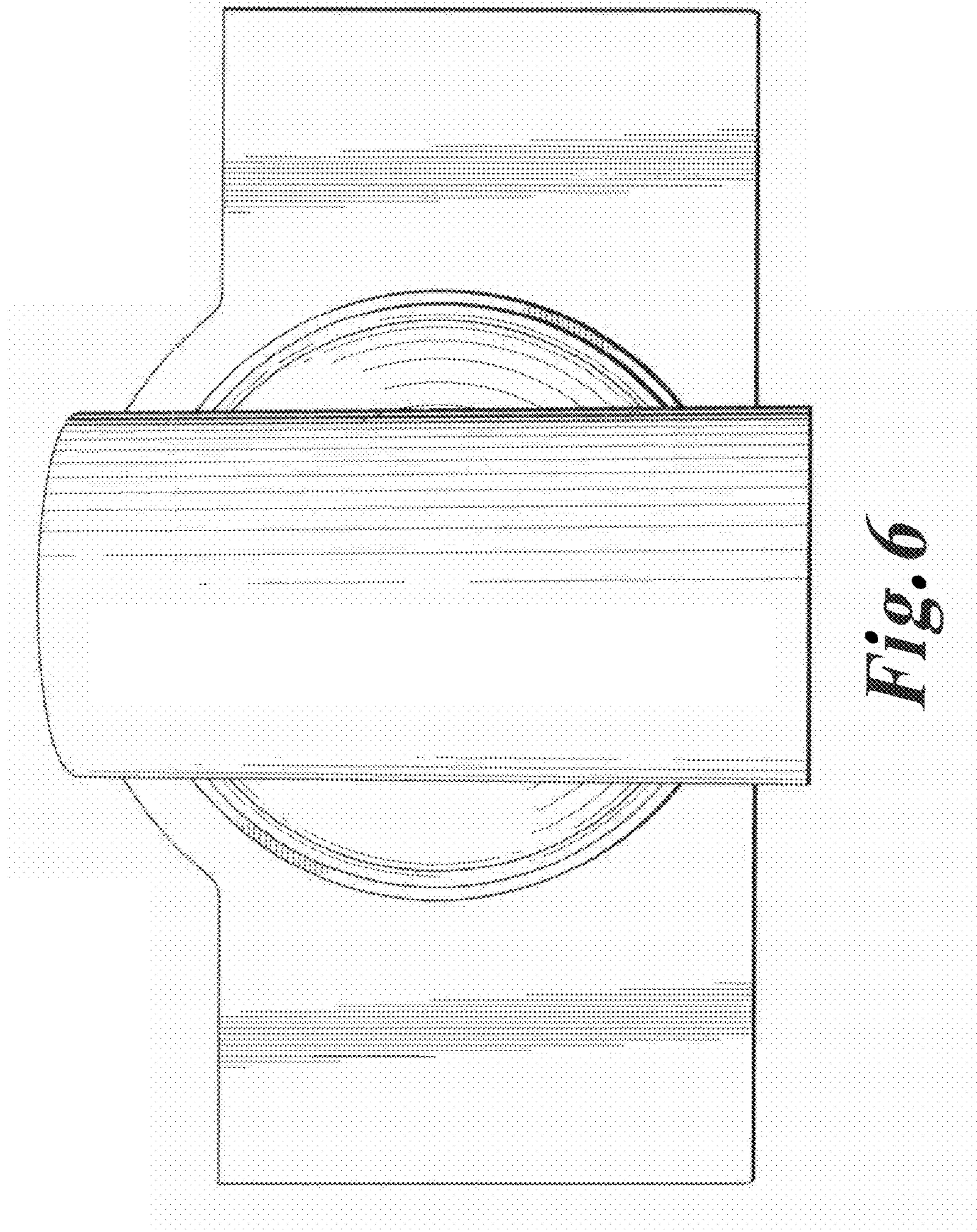


Fig. 5



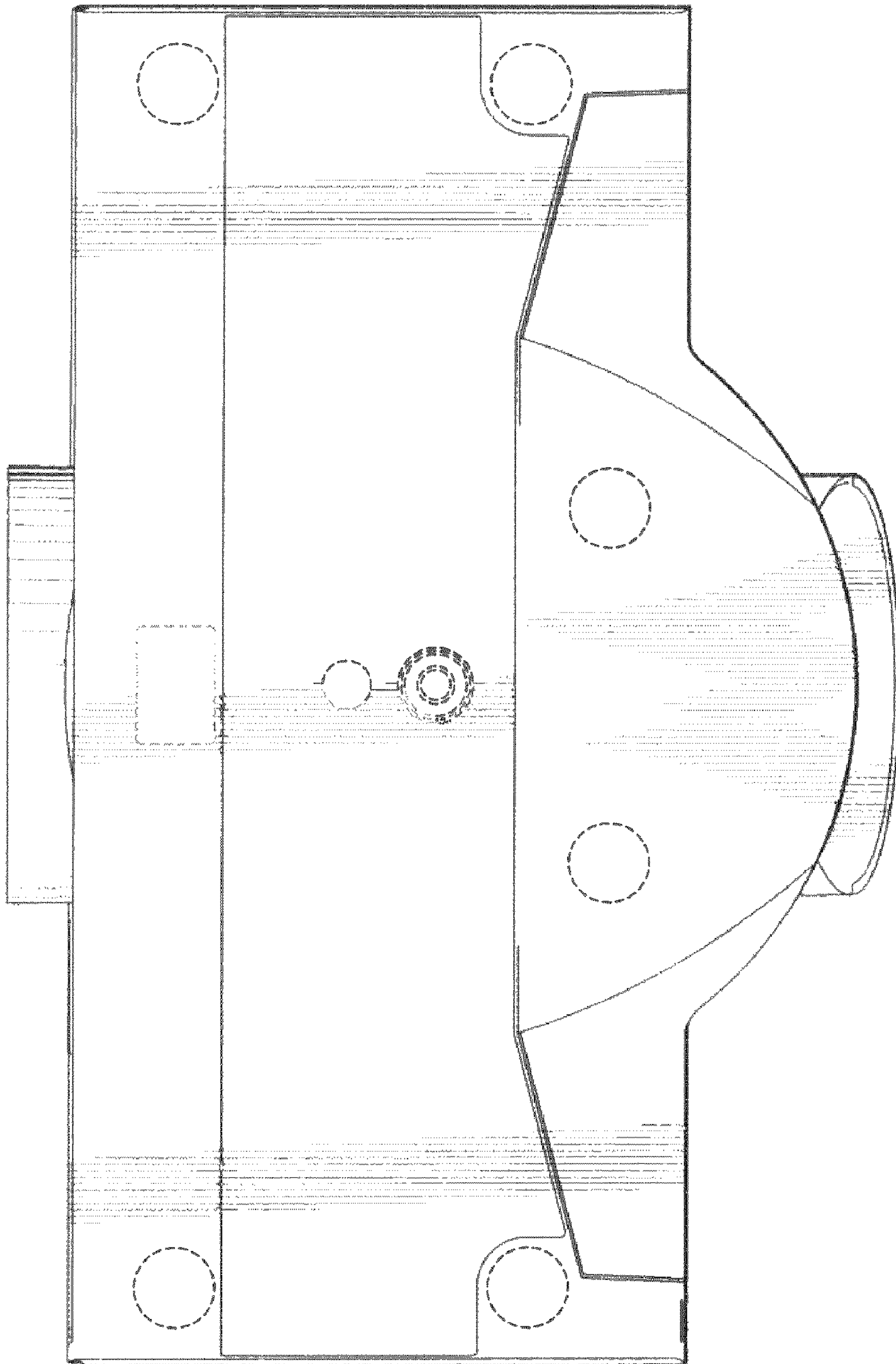


Fig. 7