



US00D636420S

(12) **United States Design Patent**
Huang

(10) **Patent No.:** **US D636,420 S**

(45) **Date of Patent:** **** Apr. 19, 2011**

(54) **CONCENTRATOR LENS**

(76) Inventor: **Kuo-Chin Huang**, Tainan (TW)

(**) Term: **14 Years**

(21) Appl. No.: **29/361,148**

(22) Filed: **May 6, 2010**

(51) **LOC (9) Cl.** **16-06**

(52) **U.S. Cl.** **D16/135**

(58) **Field of Classification Search** D16/130,
D16/134, 135, 136, 137, 219, 101, 334; D10/60;
359/808, 810, 811, 815, 816, 819, 820, 821,
359/822, 823, 830, 827

See application file for complete search history.

(56) **References Cited**

U.S. PATENT DOCUMENTS

2,312,542	A *	3/1943	Goodman	359/793
3,753,611	A *	8/1973	Ebbesen	359/721
3,871,752	A *	3/1975	Habinger	359/892
D260,401	S *	8/1981	Leopoldi	D16/135
D276,731	S *	12/1984	Steiner	D16/135
D285,699	S *	9/1986	Leopoldi	D16/135
4,766,453	A *	8/1988	Shiokama et al.	396/532
5,054,886	A *	10/1991	Ozaki et al.	359/823

5,249,082	A *	9/1993	Newman	359/813
5,461,444	A *	10/1995	Okura et al.	396/529
5,642,235	A *	6/1997	Ichikawa	359/811
6,580,570	B2 *	6/2003	Becker et al.	359/819
6,816,325	B1 *	11/2004	Becker et al.	359/819
6,842,299	B2 *	1/2005	Duon et al.	359/818
7,602,564	B2 *	10/2009	Torii et al.	359/822

* cited by examiner

Primary Examiner — Paula Greene

(74) *Attorney, Agent, or Firm* — Rosenberg, Klein & Lee

(57) **CLAIM**

The ornamental design for a concentrator lens, as shown and described.

DESCRIPTION

FIG. 1 is a perspective view of a concentrator lens showing my new design;

FIG. 2 is a front elevational view thereof;

FIG. 3 is a rear elevational view thereof;

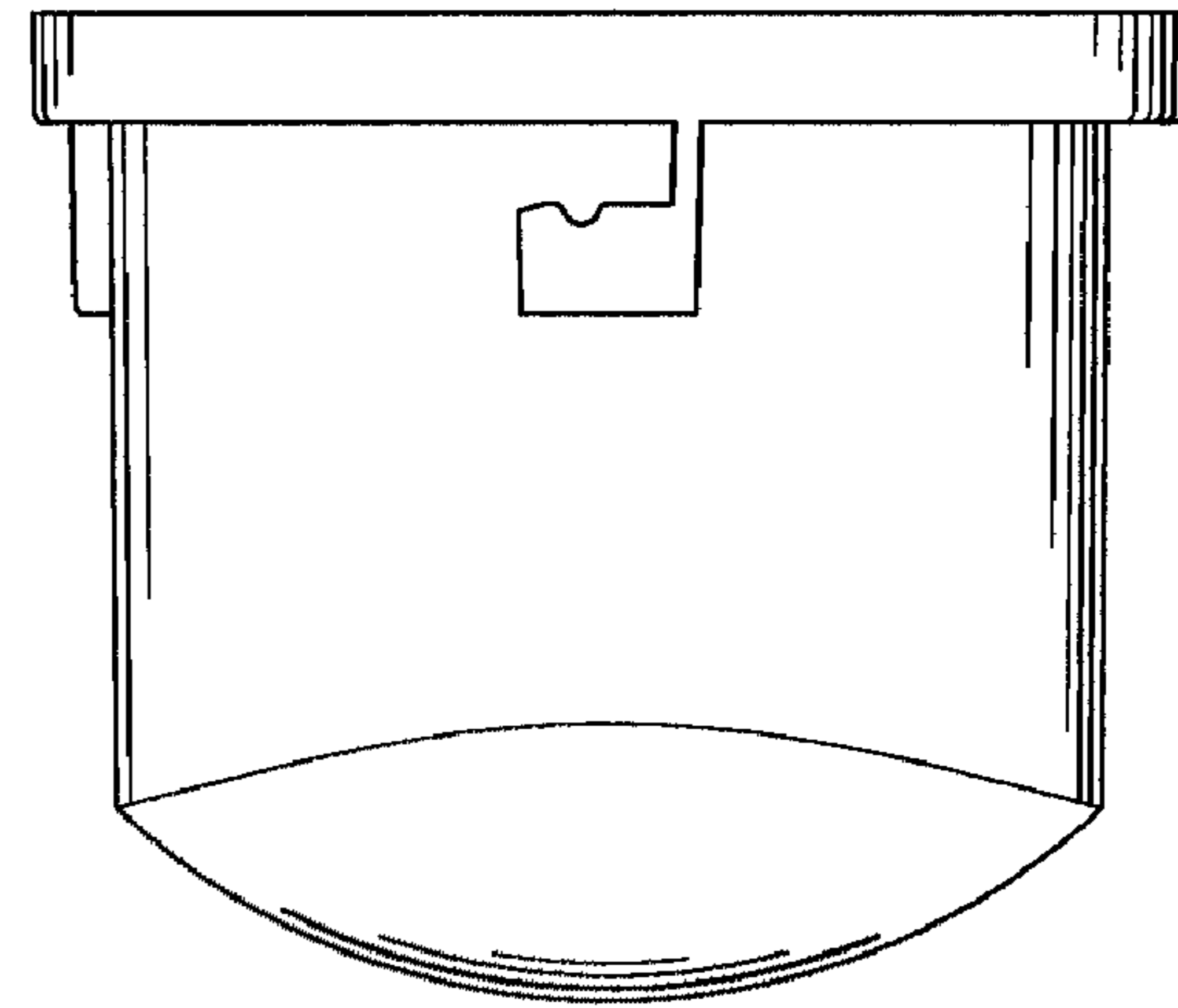
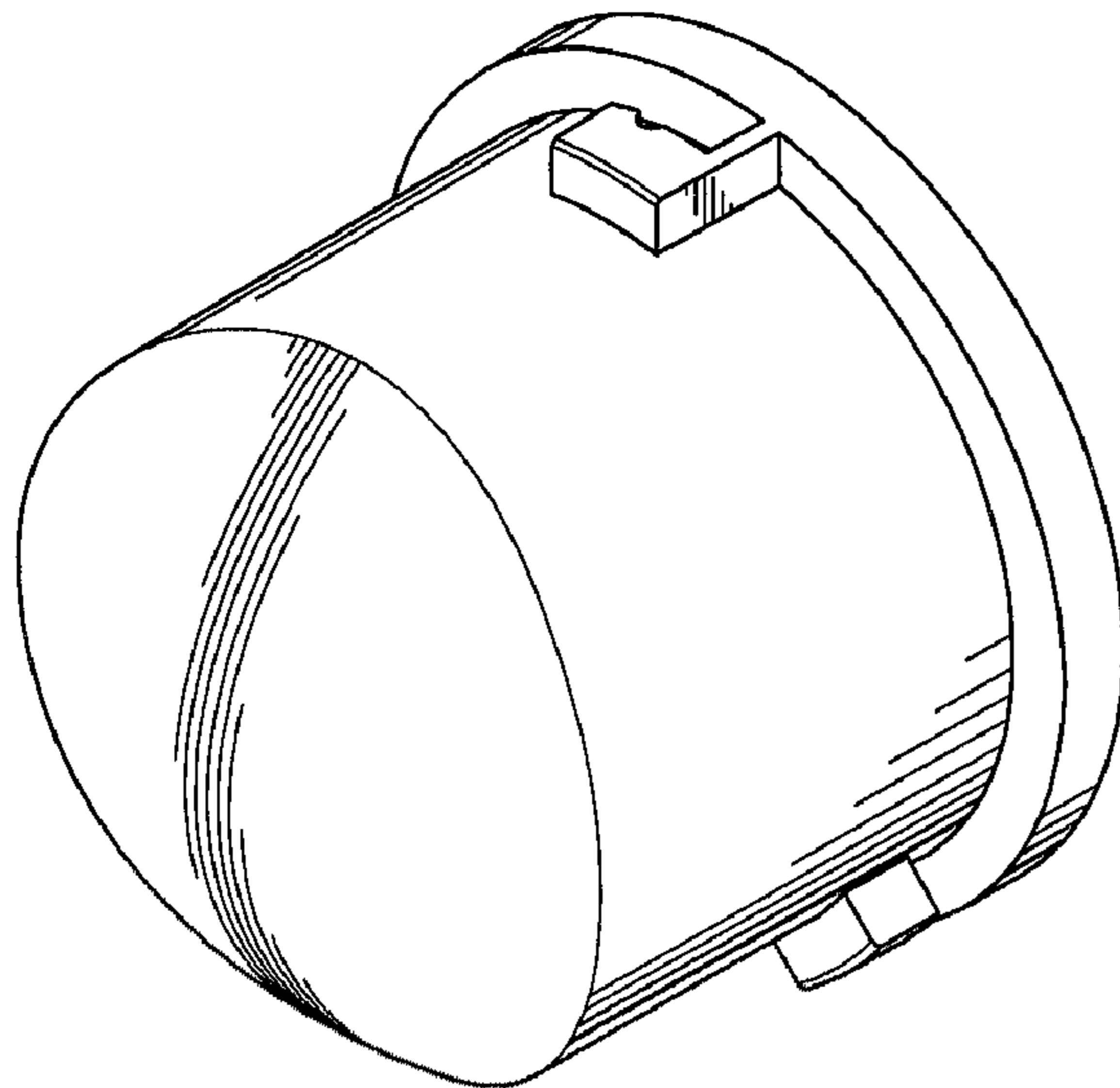
FIG. 4 is a left side elevational view thereof;

FIG. 5 is a right side elevational view thereof;

FIG. 6 is a top plan view thereof; and,

FIG. 7 is a bottom plan view thereof.

1 Claim, 7 Drawing Sheets



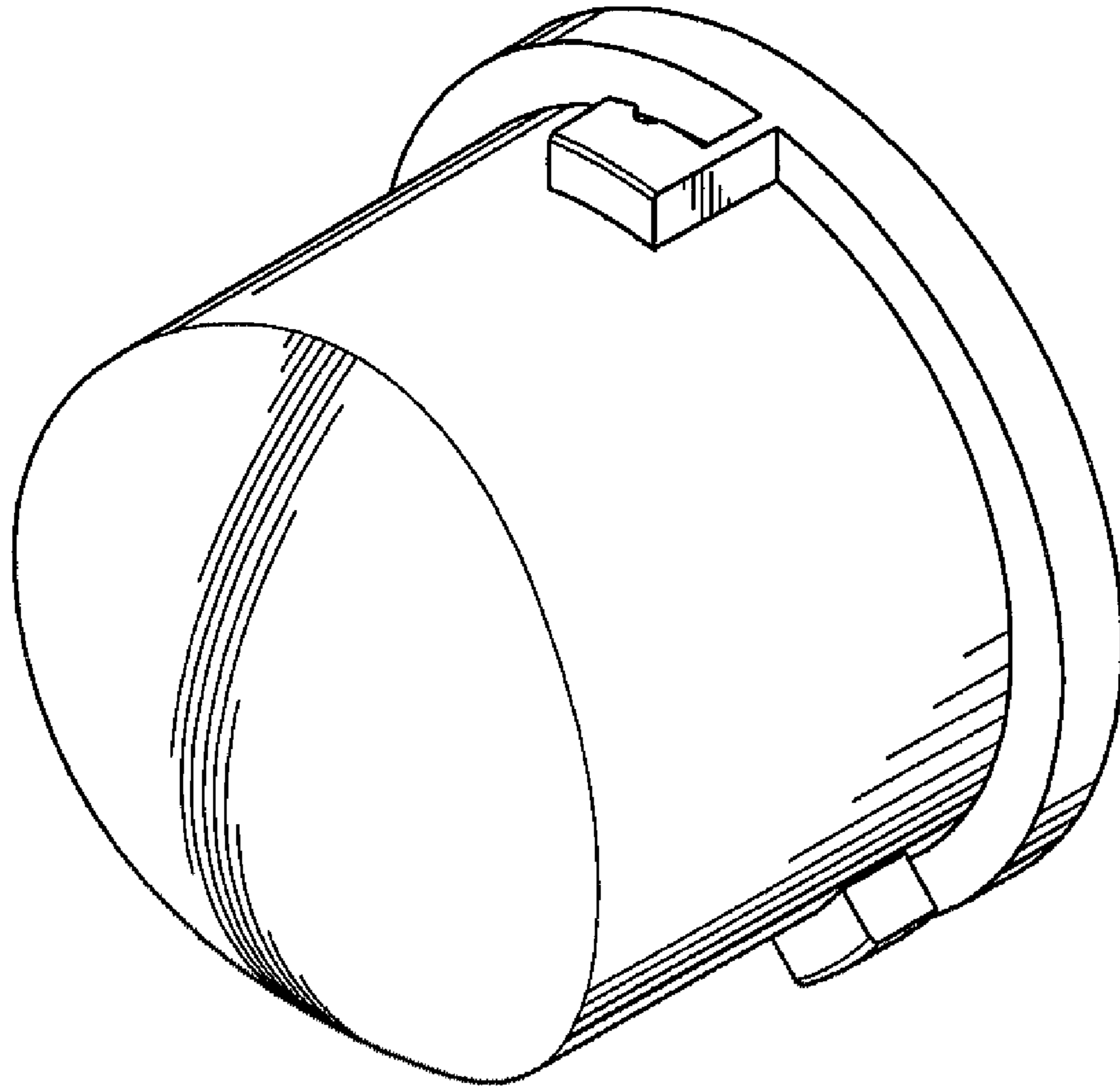


FIG. 1

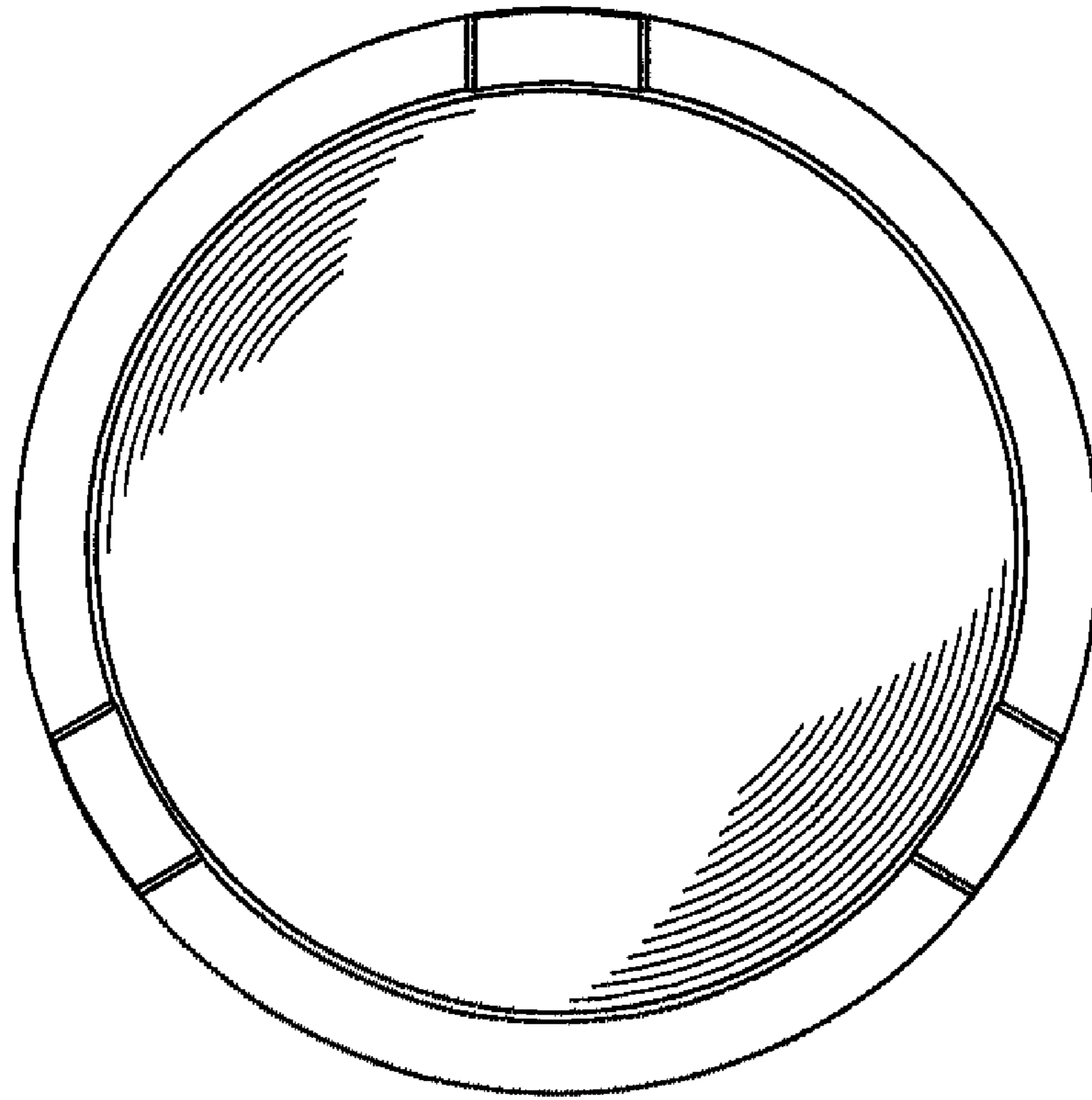


FIG. 2

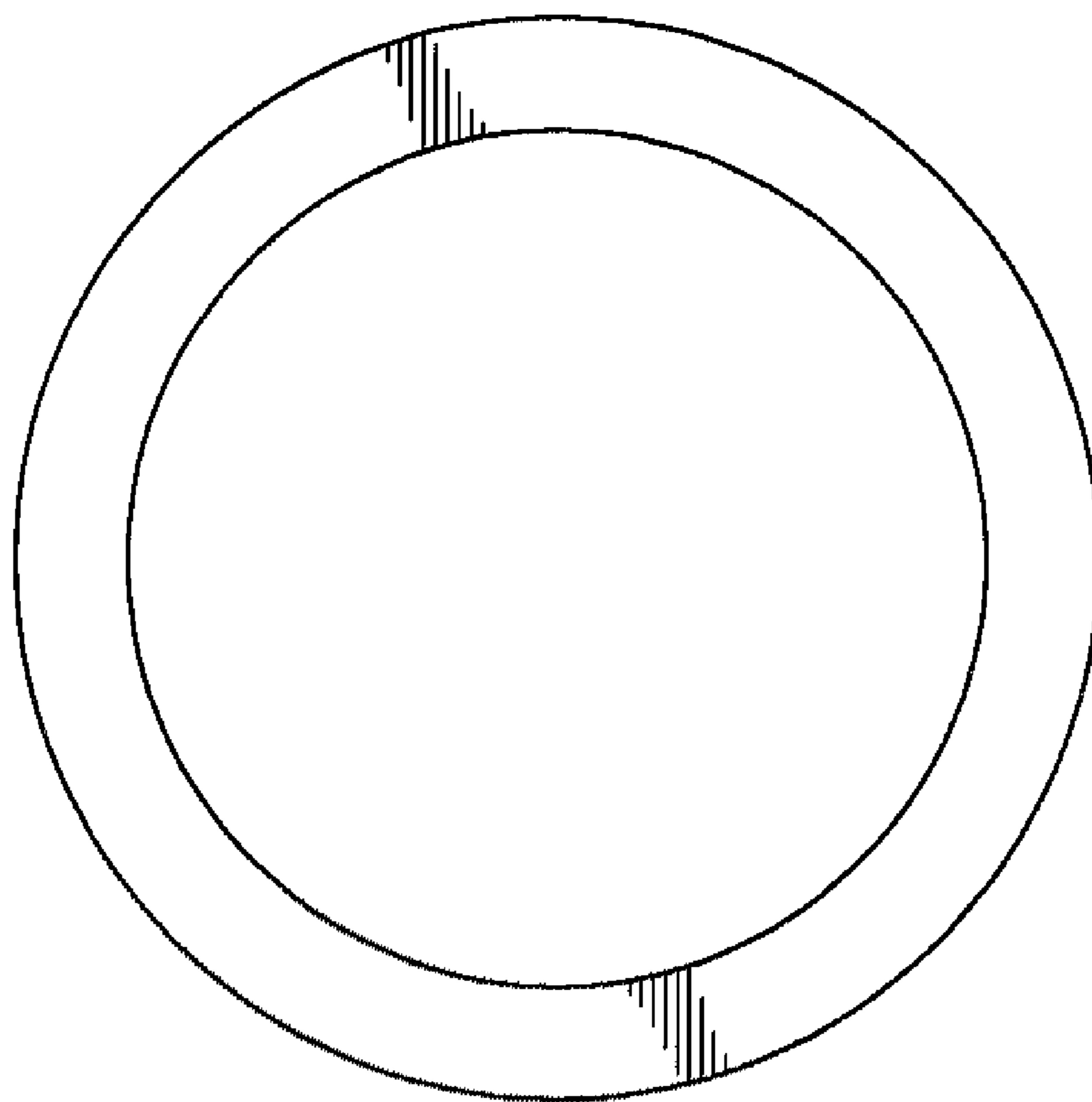


FIG. 3

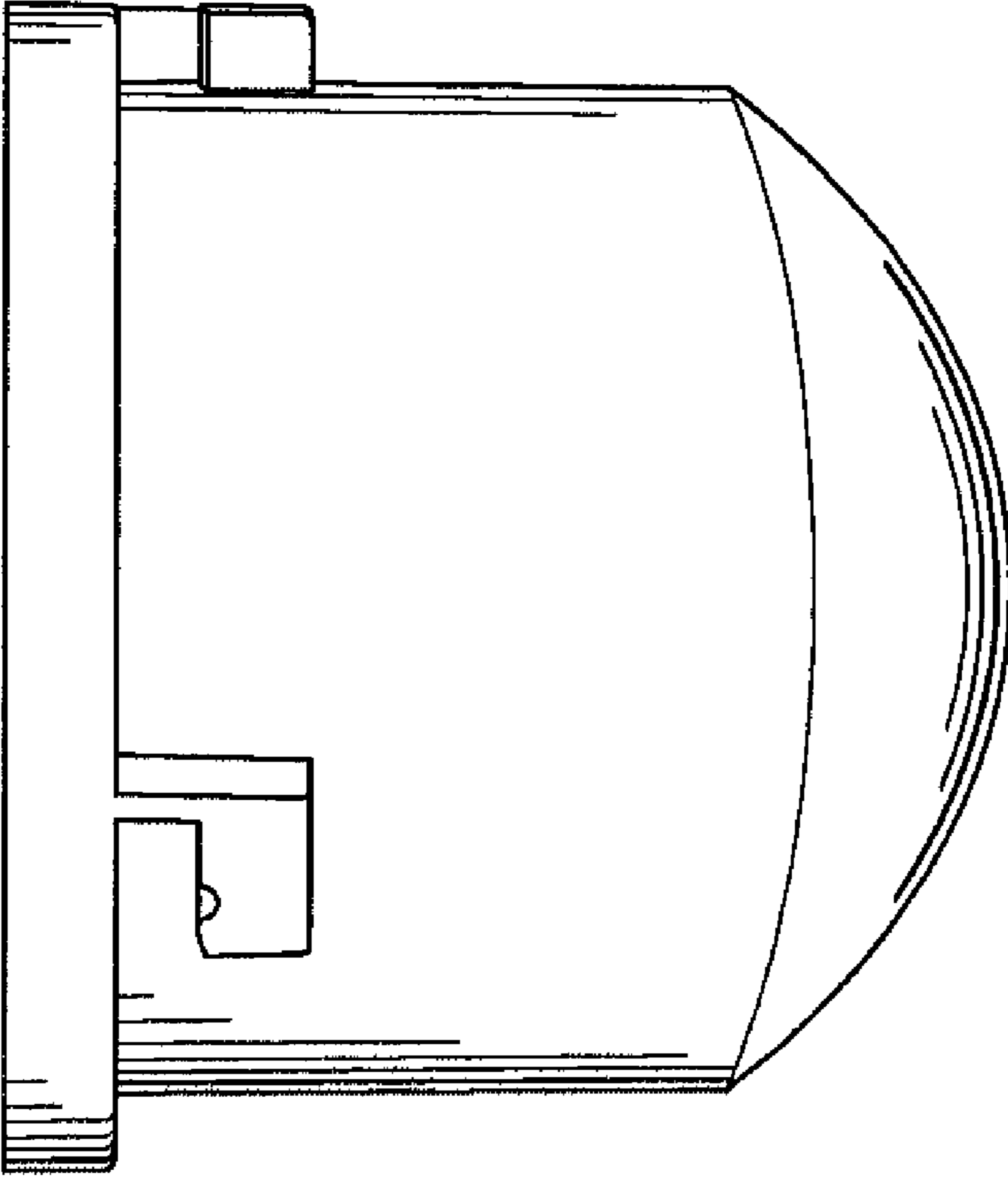


FIG. 4

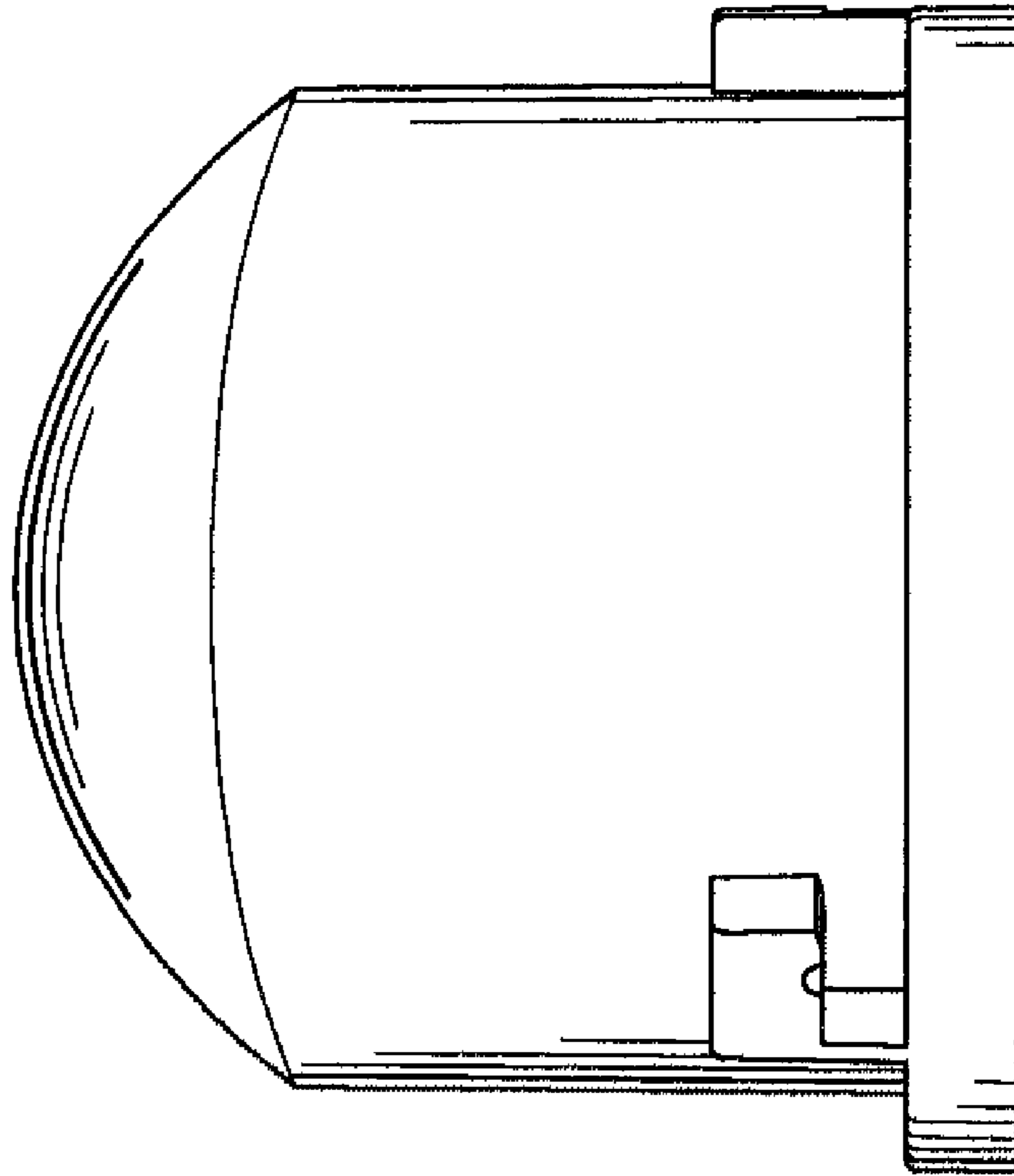


FIG. 5

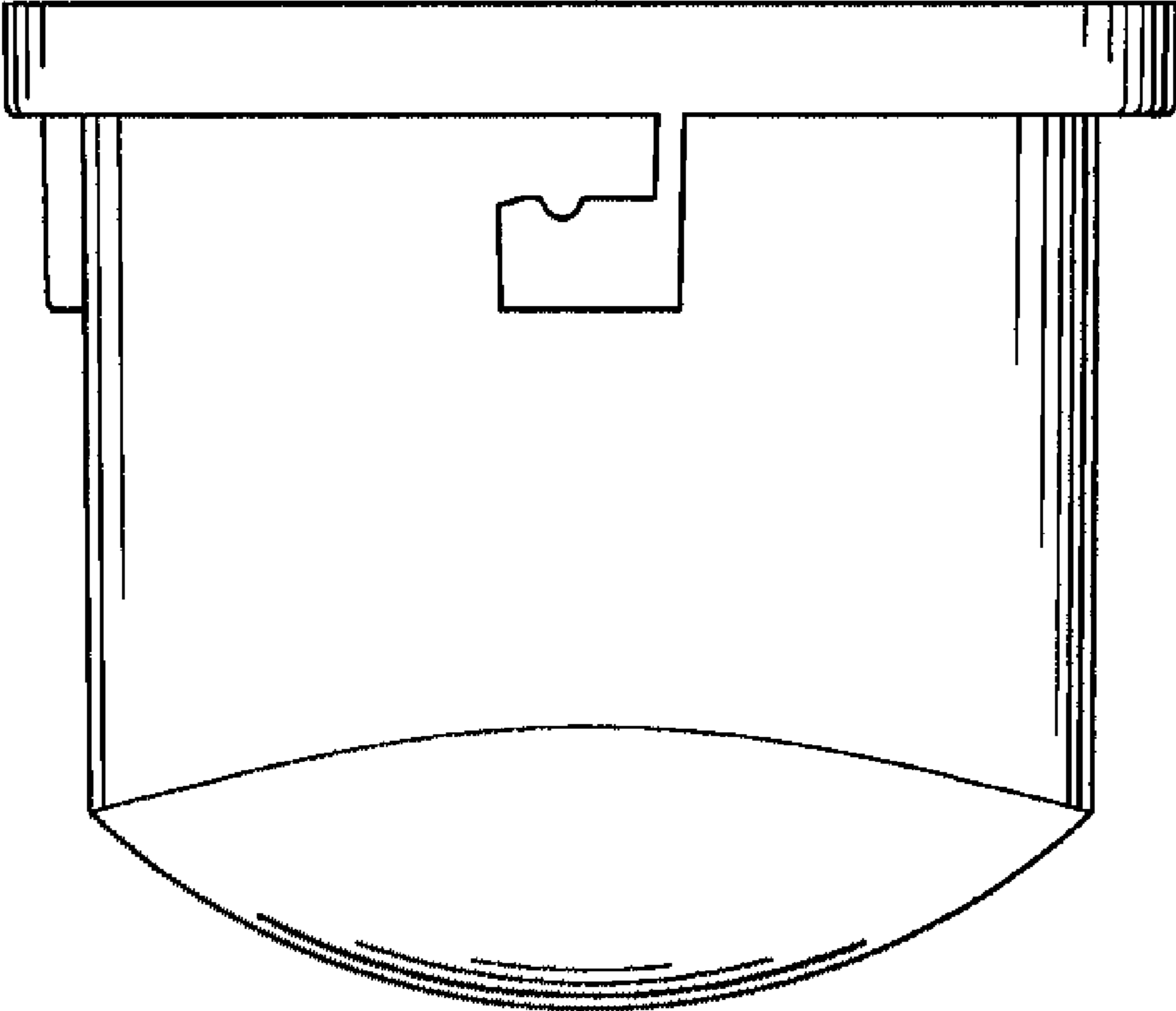


FIG. 6

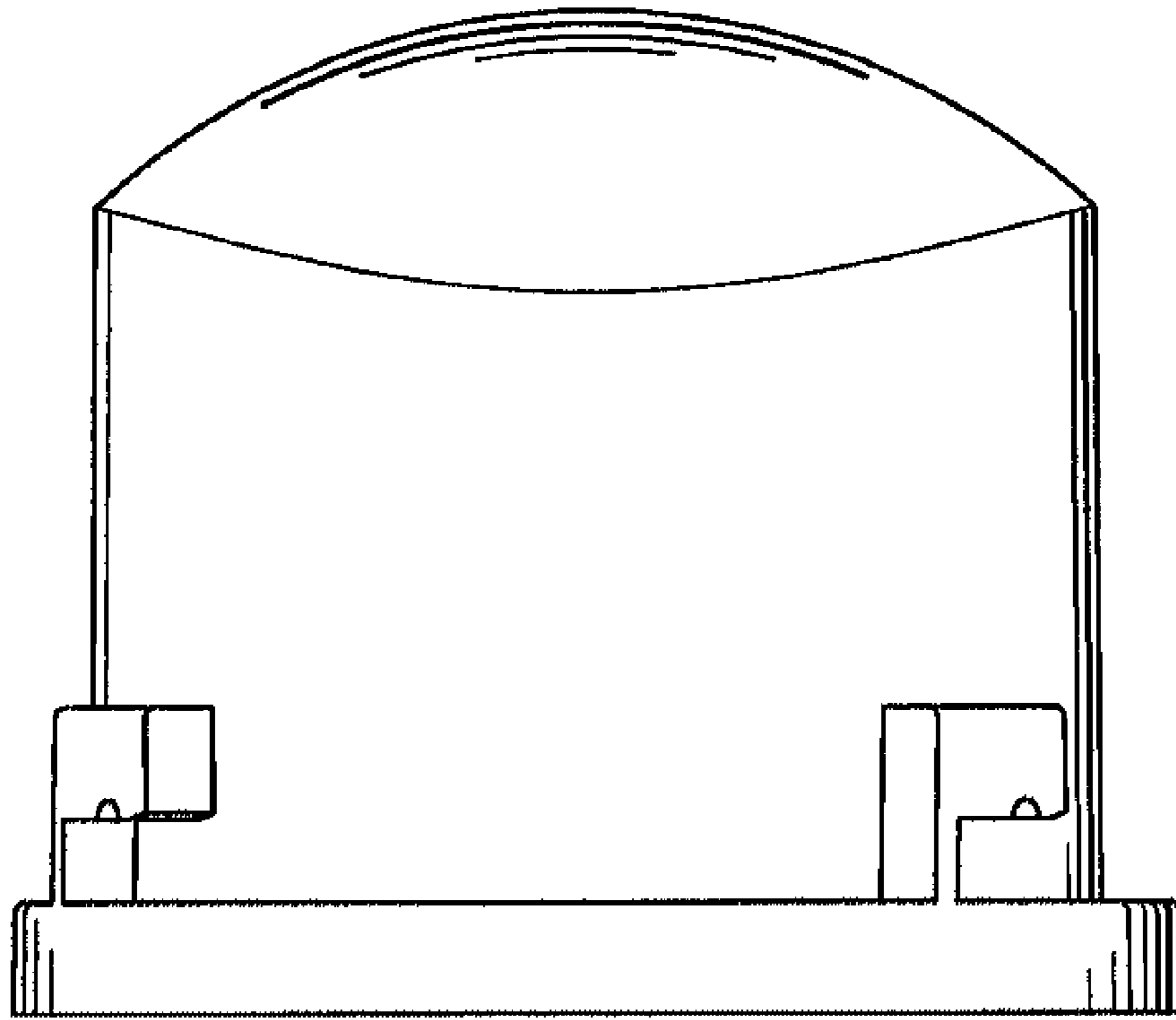


FIG. 7