

US00D636419S

(12) **United States Design Patent**
Nakagiri et al.

(10) **Patent No.:** **US D636,419 S**

(45) **Date of Patent:** **** Apr. 19, 2011**

(54) **INDUSTRIAL ROBOT**

(75) Inventors: **Hiroshi Nakagiri**, Osaka (JP); **Sungjae Yoon**, Osaka (JP); **Tatsuji Minato**, Fujisawa (JP); **Makoto Kondo**, Fujisawa (JP)

(73) Assignee: **Kobe Steel, Ltd.**, Kobe-shi (JP)

(**) Term: **14 Years**

(21) Appl. No.: **29/375,278**

(22) Filed: **Sep. 20, 2010**

(30) **Foreign Application Priority Data**

Mar. 19, 2010 (JP) D2010-006809

(51) **LOC (9) Cl.** **15-99**

(52) **U.S. Cl.** **D15/199**

(58) **Field of Classification Search** D15/199;
D24/176; 74/490.01, 490.02, 490.03, 490.05;
219/124.34, 639; 318/560; 700/99, 150
See application file for complete search history.

(56) **References Cited**

U.S. PATENT DOCUMENTS

4,076,131	A *	2/1978	Dahlstrom et al.	414/730
D269,681	S *	7/1983	Morser et al.	D15/199
D279,572	S *	7/1985	Yasuoka et al.	D15/199
D280,203	S *	8/1985	Shibayama et al.	D15/199
4,586,868	A *	5/1986	Nakashima et al.	414/735
D293,449	S *	12/1987	Kaufmann et al.	D15/199
D296,790	S *	7/1988	Tsuburaya et al.	D15/199
D300,935	S *	5/1989	Maddock et al.	D15/199
D334,581	S *	4/1993	Yoshikawa et al.	D15/199
D340,938	S *	11/1993	Spaggiari	D15/199
D344,279	S *	2/1994	Koyama et al.	D15/199
D410,477	S *	6/1999	Nihei et al.	D15/199
D444,488	S *	7/2001	Selic et al.	D15/199
6,267,022	B1 *	7/2001	Suzuki	74/490.01
D449,057	S *	10/2001	Selic et al.	D15/199
6,408,710	B1 *	6/2002	Kullborg et al.	74/490.03
7,248,012	B2 *	7/2007	Takahashi et al.	318/568.13
D569,886	S *	5/2008	Larsson et al.	D15/199

D607,477	S *	1/2010	Suarez et al.	D15/199
D616,909	S *	6/2010	Long	D15/199
D624,104	S *	9/2010	Miyake et al.	D15/199
2005/0204850	A1 *	9/2005	Nihei et al.	74/490.01
2007/0137370	A1 *	6/2007	Ichibangase et al.	74/490.01
2008/0092689	A1 *	4/2008	Shiraki et al.	74/490.02
2008/0271302	A1 *	11/2008	Betzig et al.	29/430
2009/0178506	A1 *	7/2009	Yamamoto et al.	74/490.03

* cited by examiner

Primary Examiner — Patricia Palasik

(74) *Attorney, Agent, or Firm* — Oblon, Spivak, McClelland, Maier & Neustadt, L.L.P.

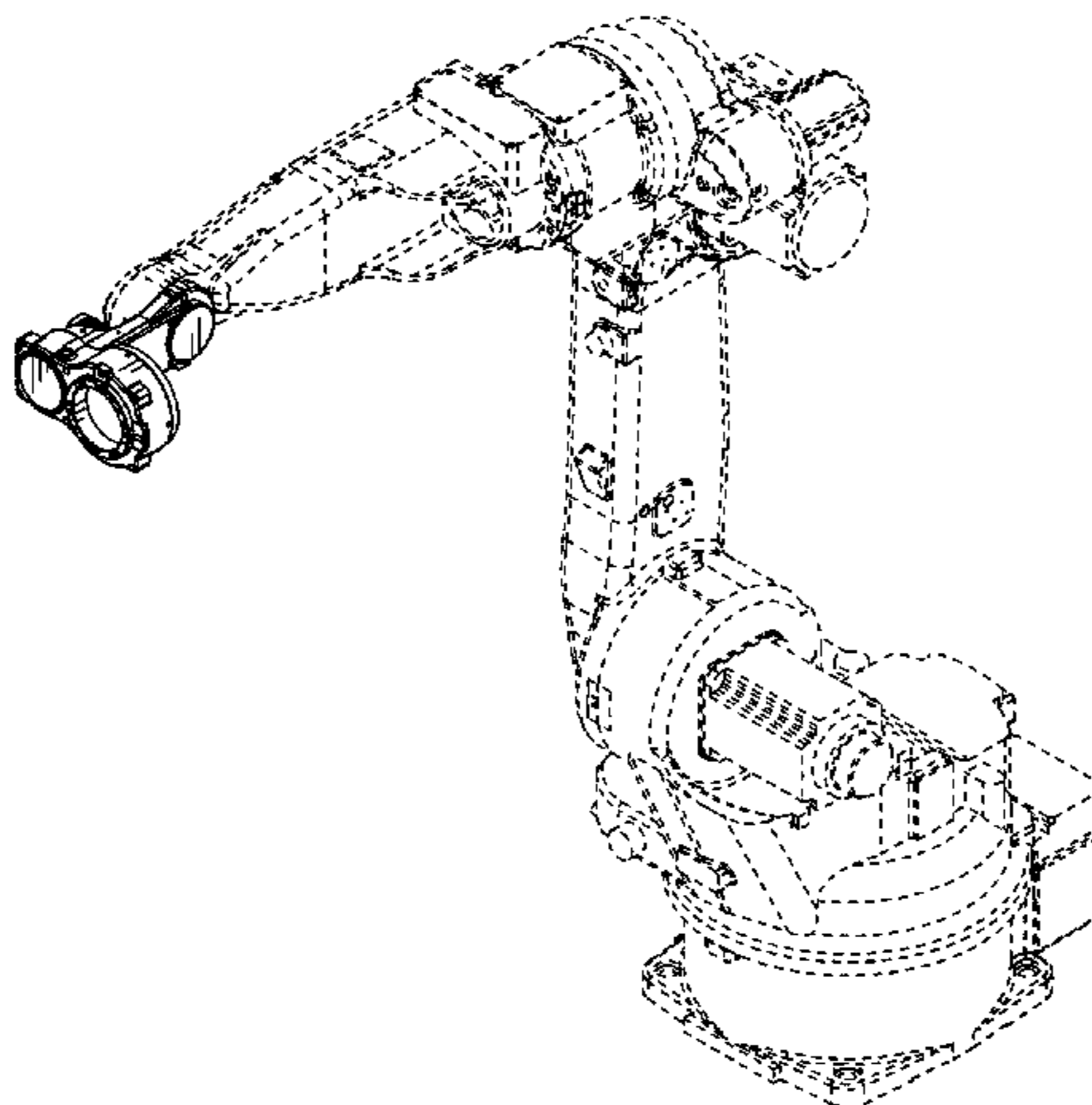
(57) **CLAIM**

The ornamental design for an industrial robot, as shown and described.

DESCRIPTION

FIG. 1 is a first perspective view of an industrial robot;
 FIG. 2 is a second perspective view thereof;
 FIG. 3 is a perspective view showing a movable part in operation thereof;
 FIG. 4 is a front view thereof;
 FIG. 5 is a rear view thereof;
 FIG. 6 is a left side view thereof;
 FIG. 7 is a right side view thereof;
 FIG. 8 is a top view thereof;
 FIG. 9 is a bottom view thereof;
 FIG. 10 is a first enlarged perspective view of FIG. 1 thereof;
 FIG. 11 is a second enlarged perspective view of FIG. 2 thereof;
 FIG. 12 is an enlarged perspective view showing a movable part in operation of FIG. 3 thereof;
 FIG. 13 is an enlarged front view of FIG. 4 thereof;
 FIG. 14 is an enlarged left side view of FIG. 6 thereof;
 FIG. 15 is an enlarged right side view of FIG. 7 thereof;
 FIG. 16 is an enlarged top view of FIG. 8 thereof; and,
 FIG. 17 is an enlarged bottom view of FIG. 9 thereof.
 The portion shown by broken lines in the drawings depicts unclaimed environmental subject matter and forms no part of the claimed design.

1 Claim, 17 Drawing Sheets



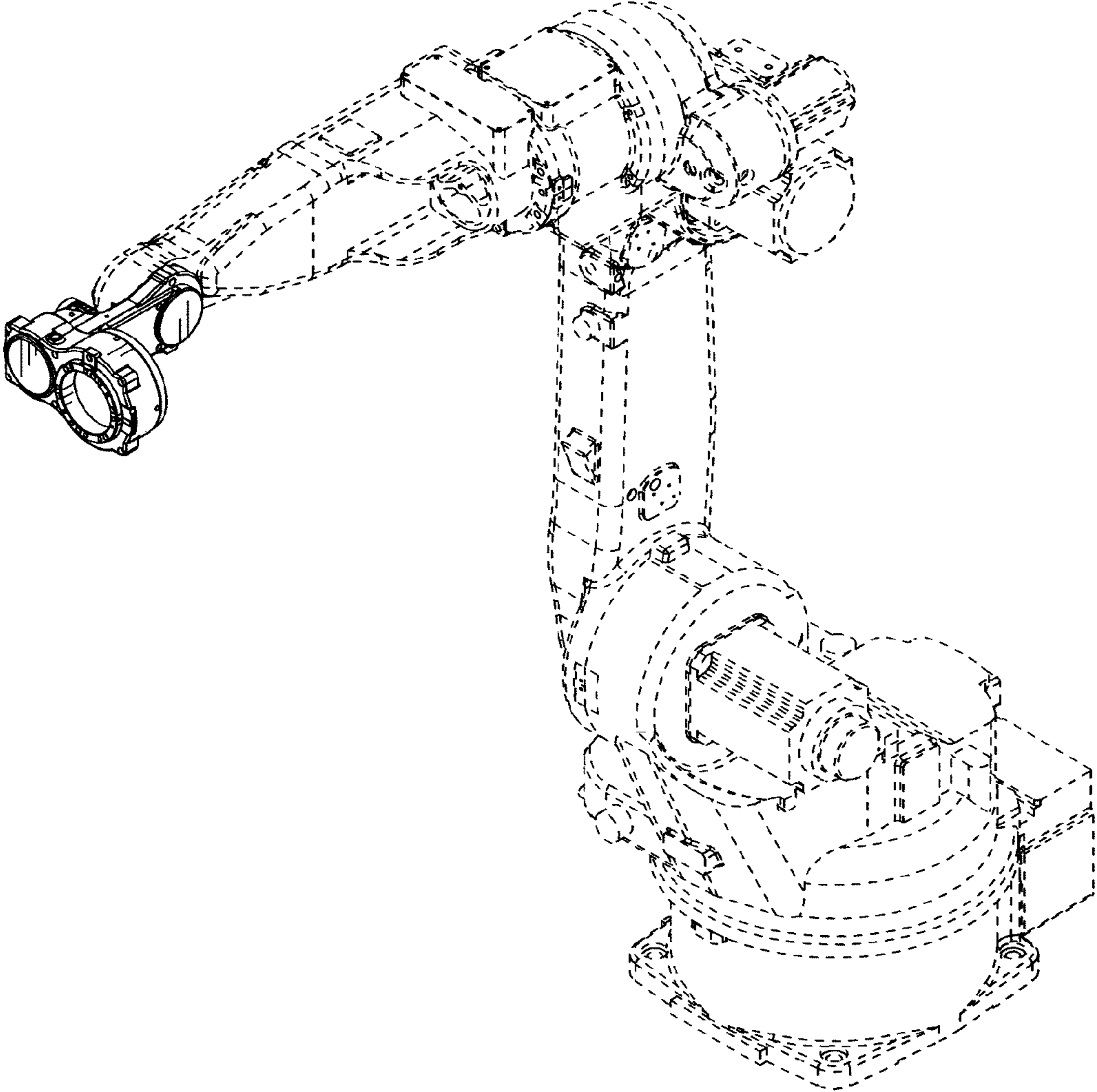


FIG.1

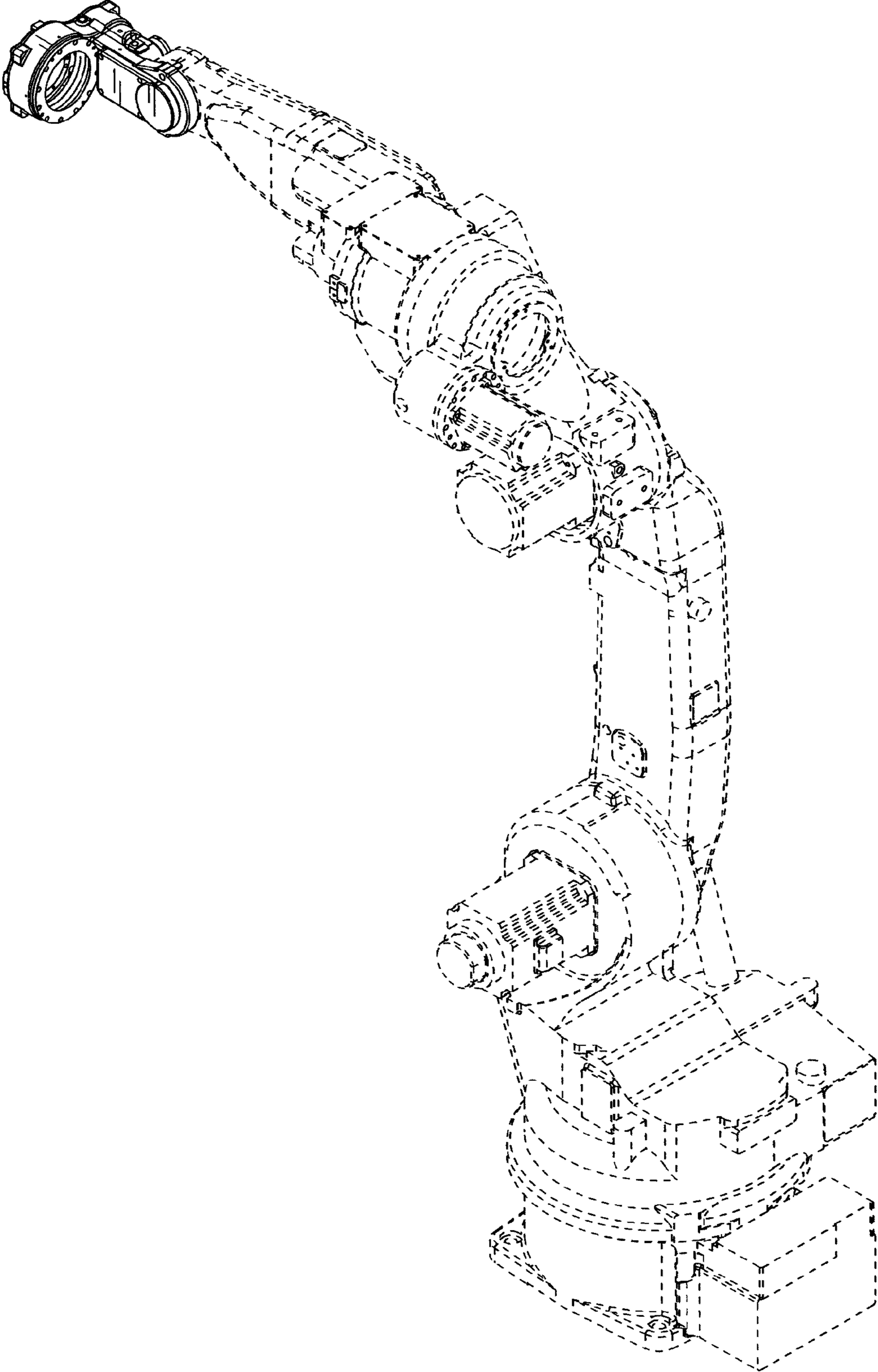


FIG.2

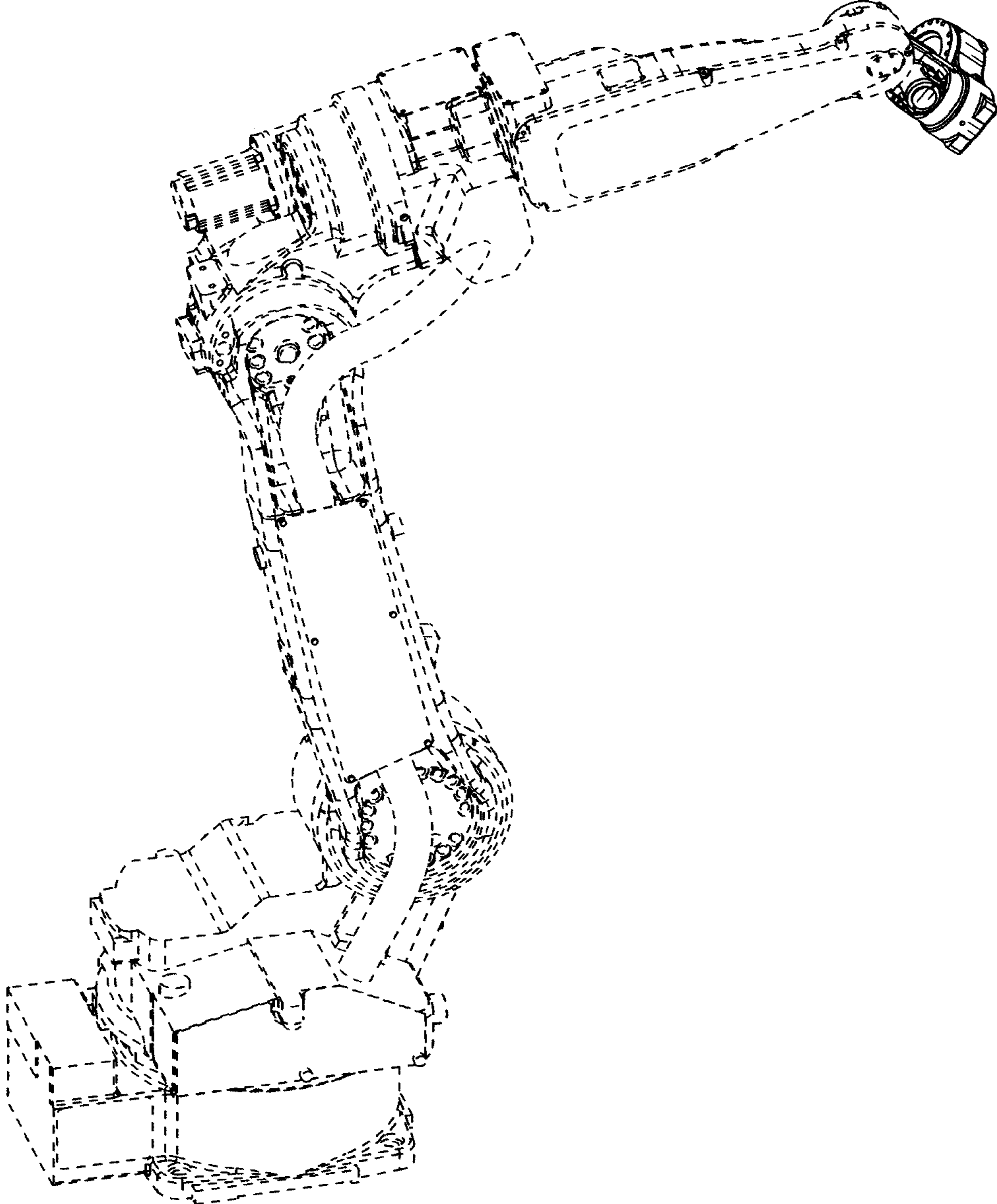


FIG.3

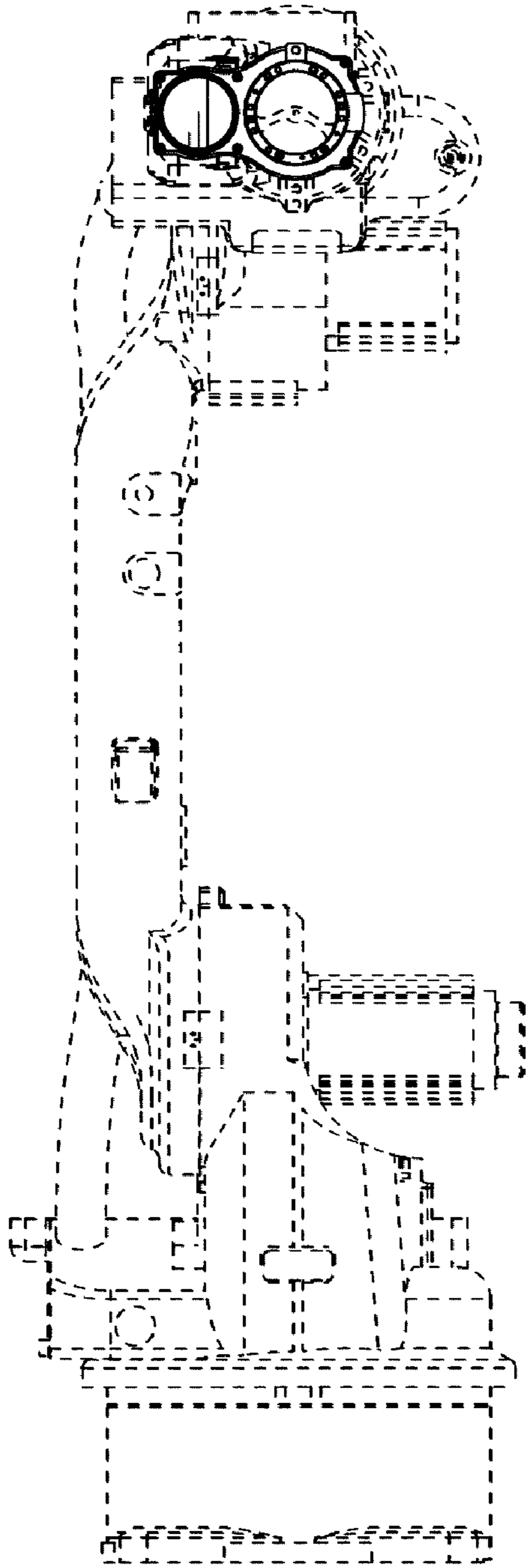


FIG.4

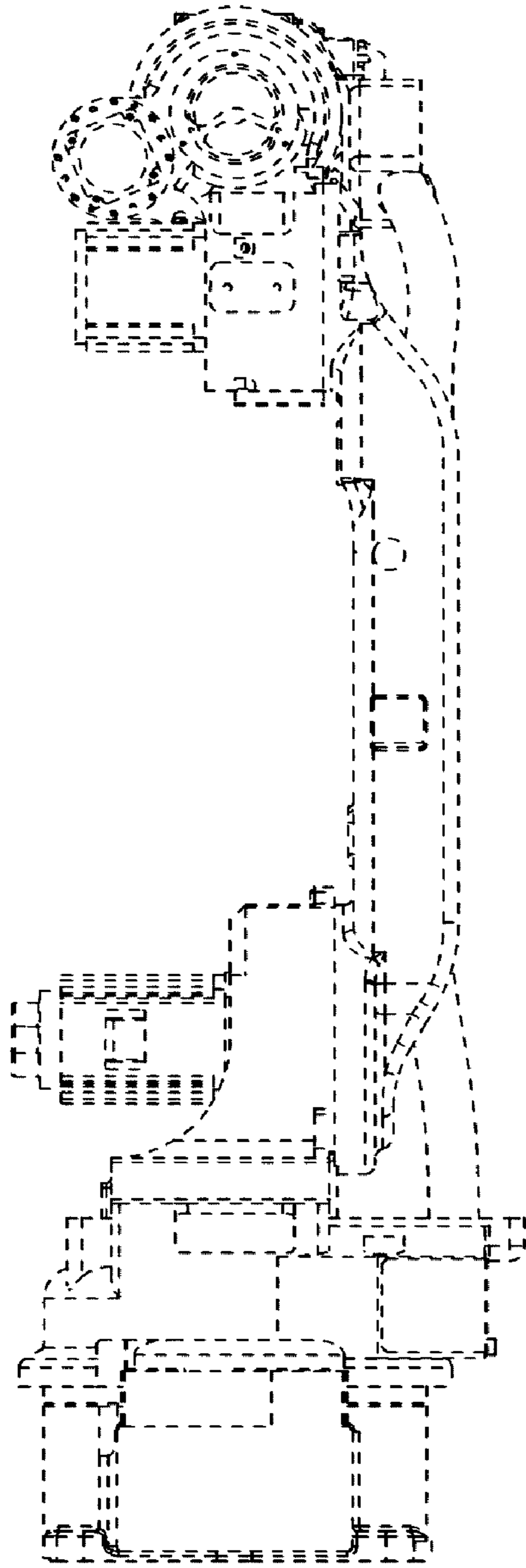


FIG.5

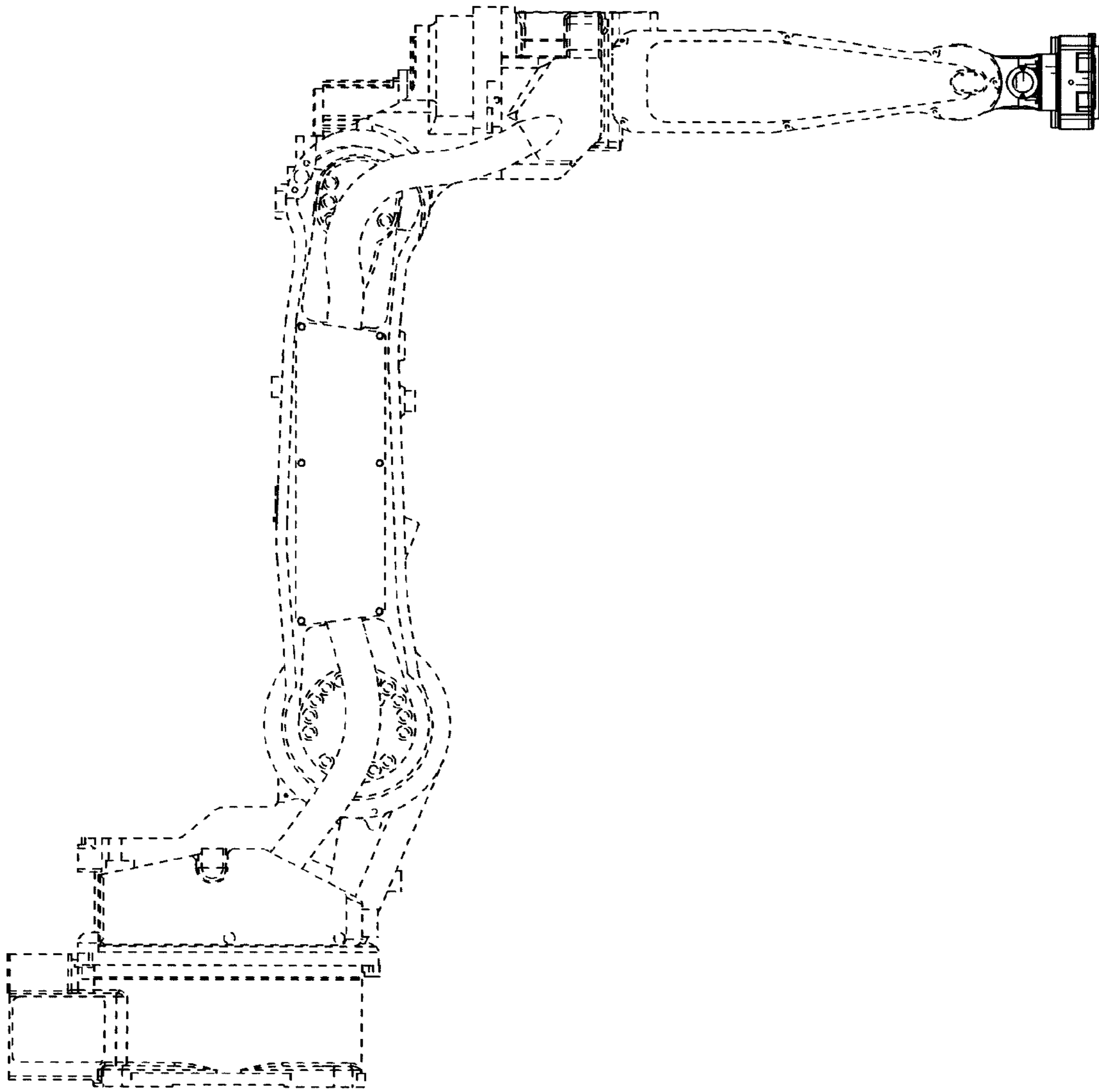


FIG. 6

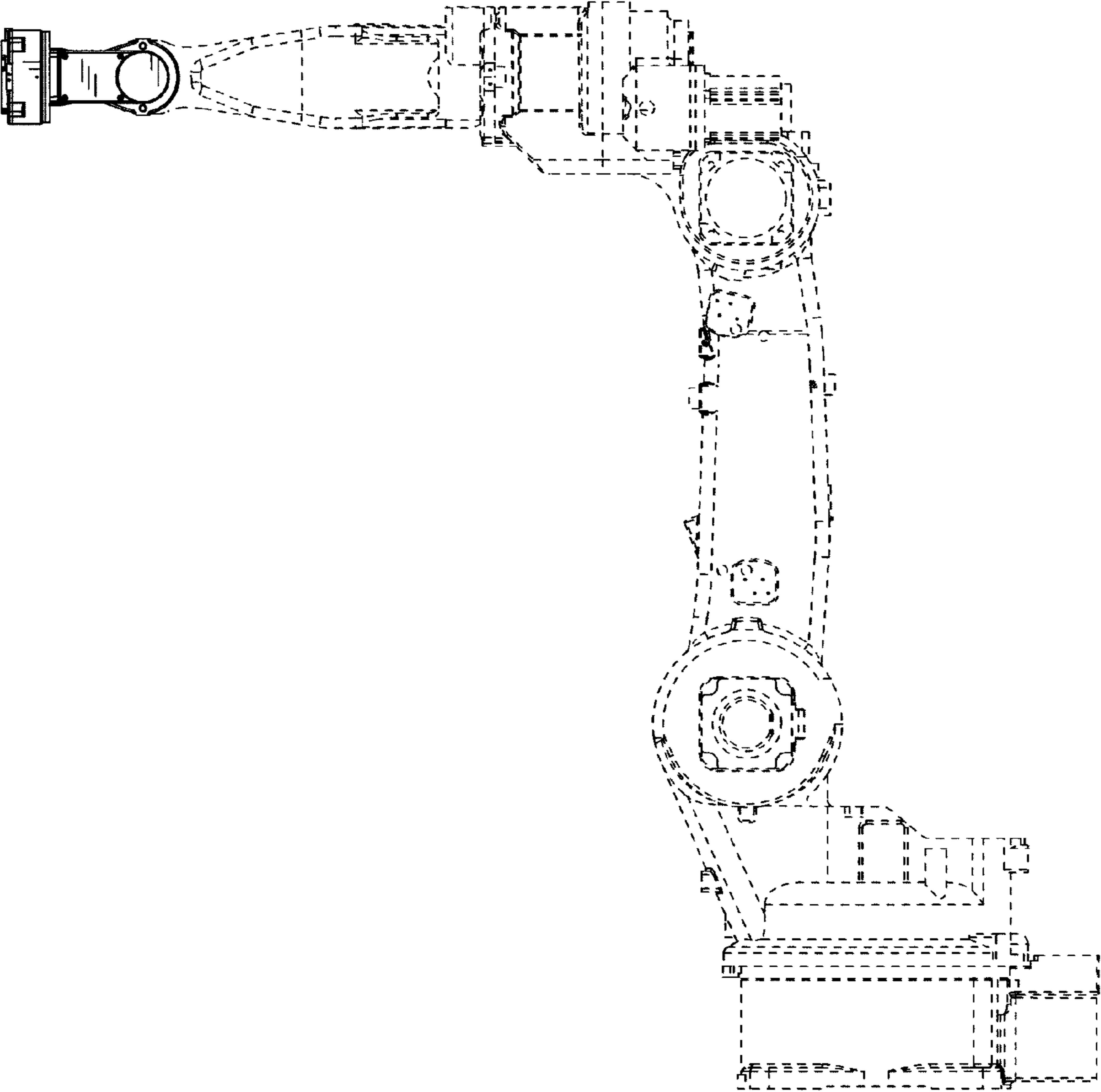


FIG. 7

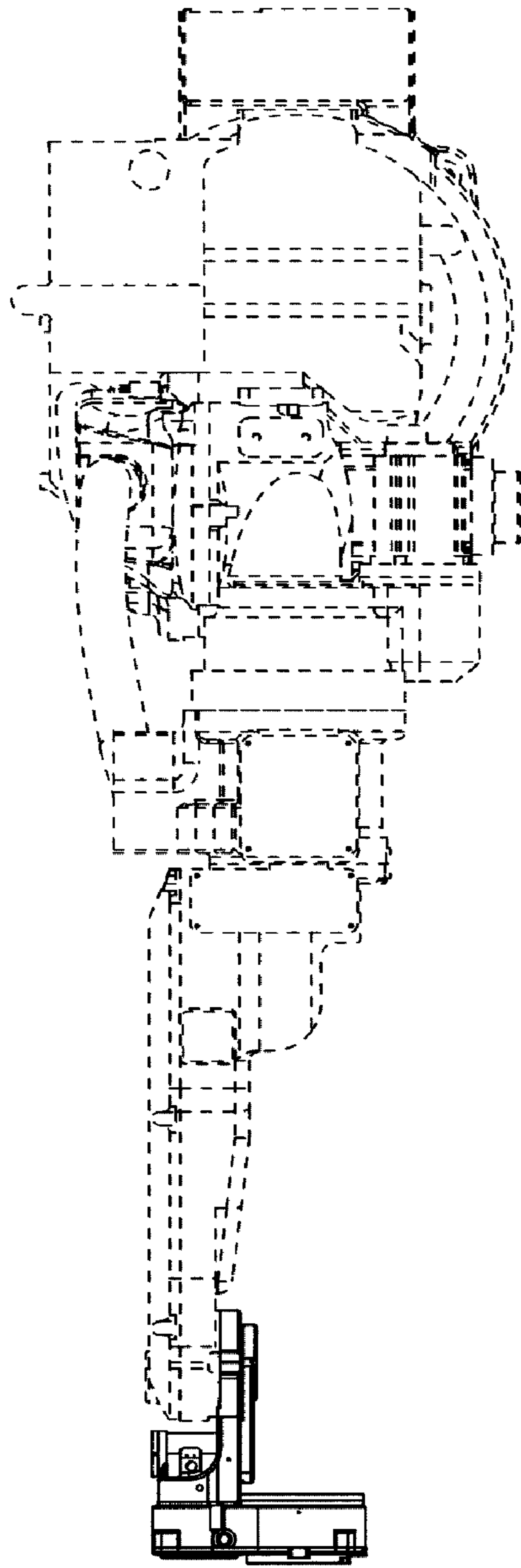


FIG. 8

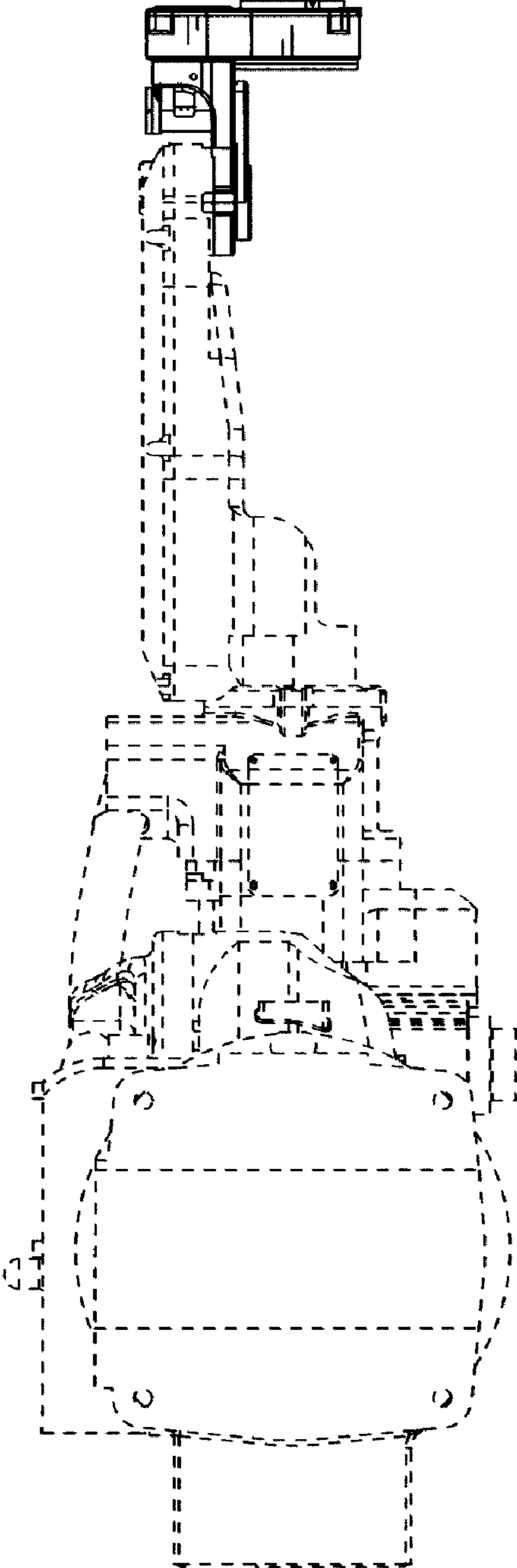


FIG.9

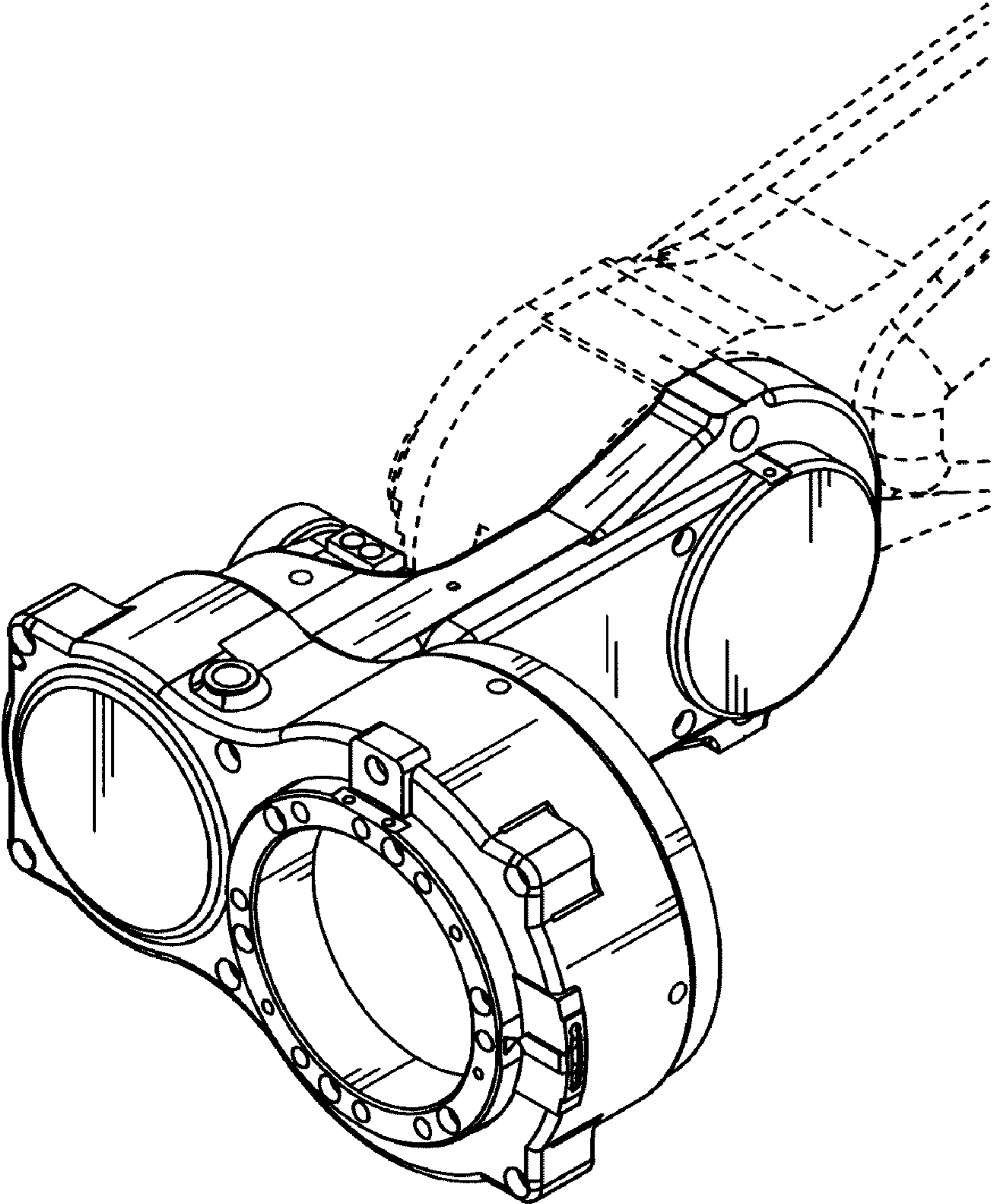


FIG.10

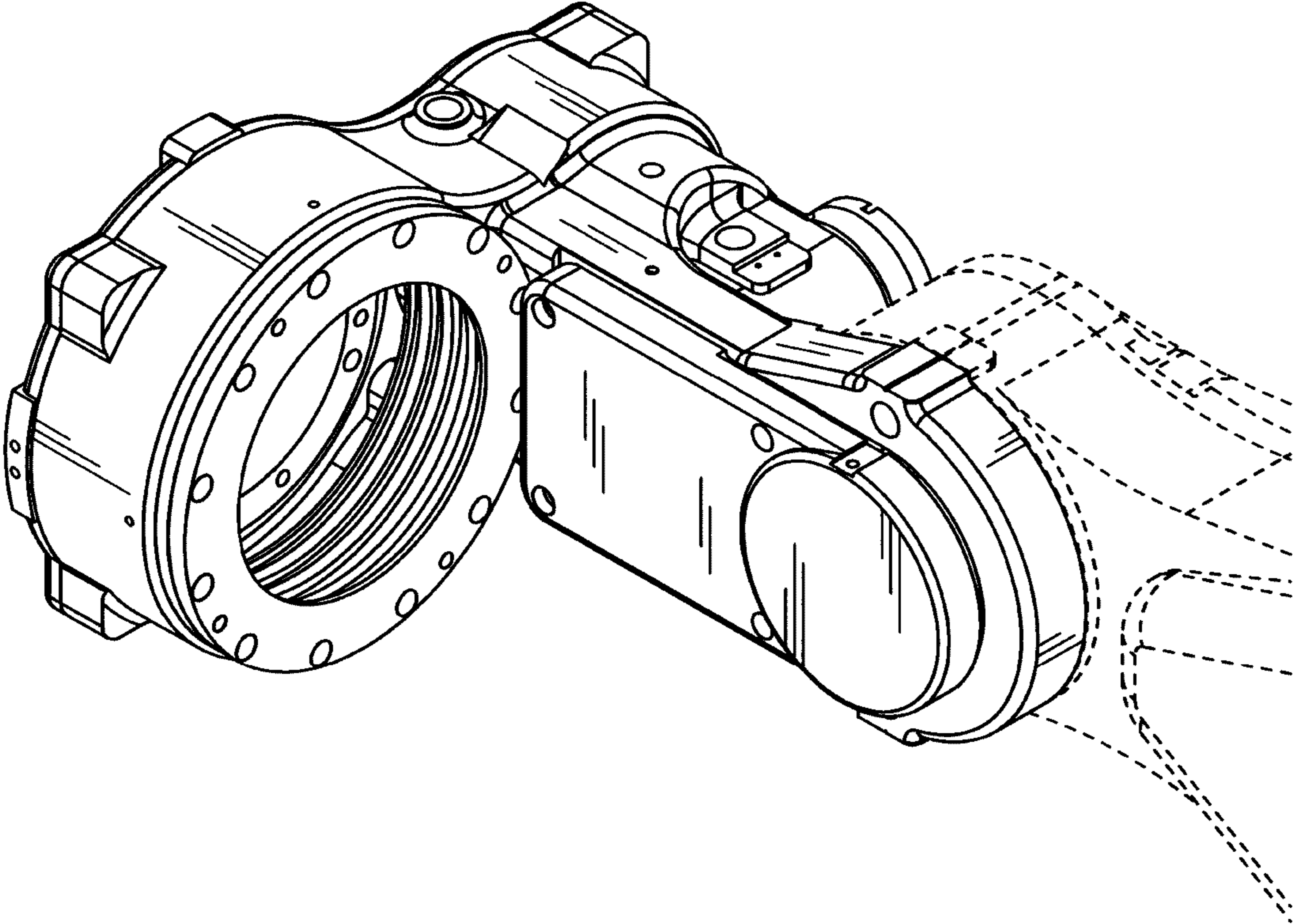


FIG.11

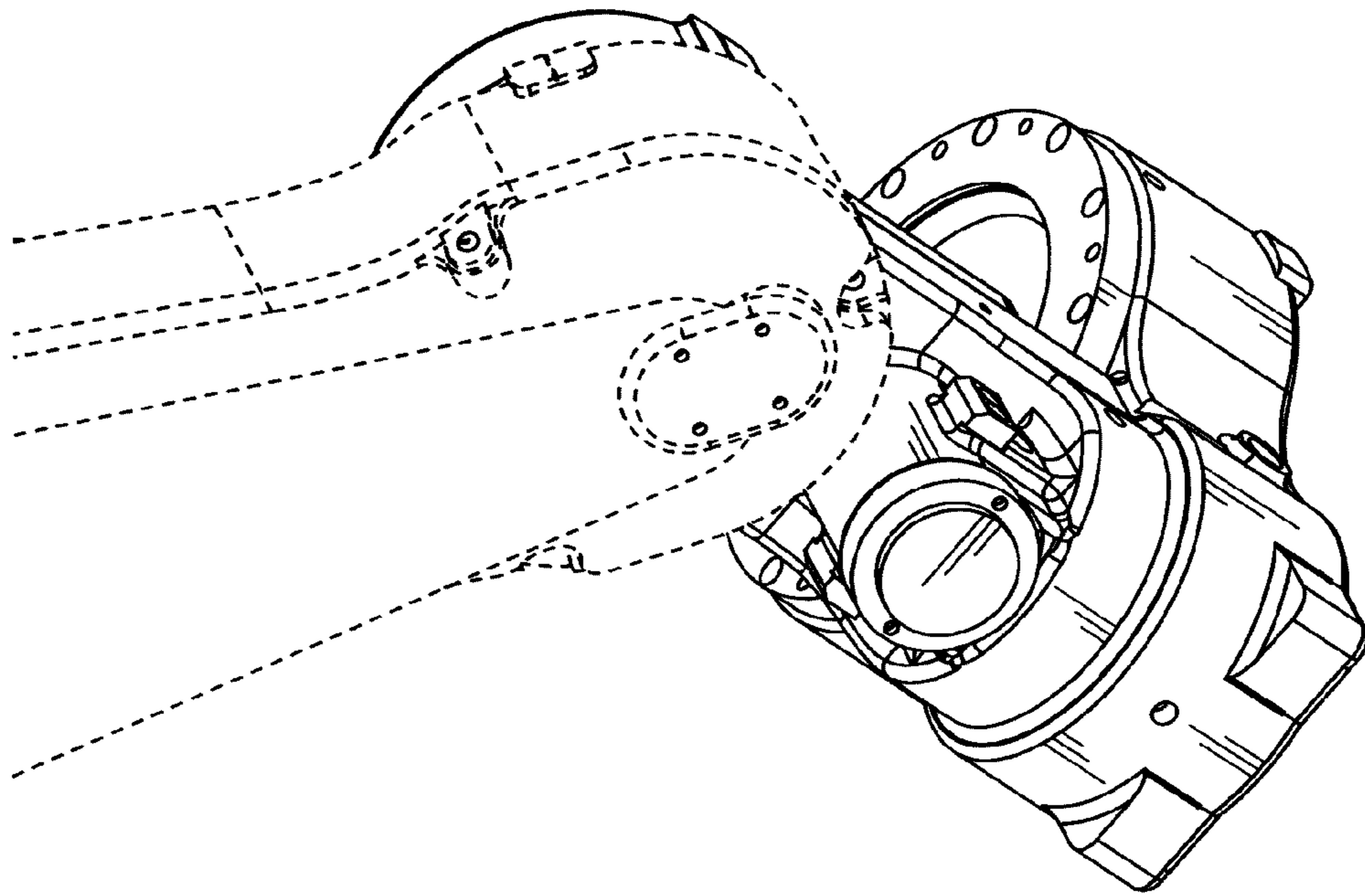


FIG.12

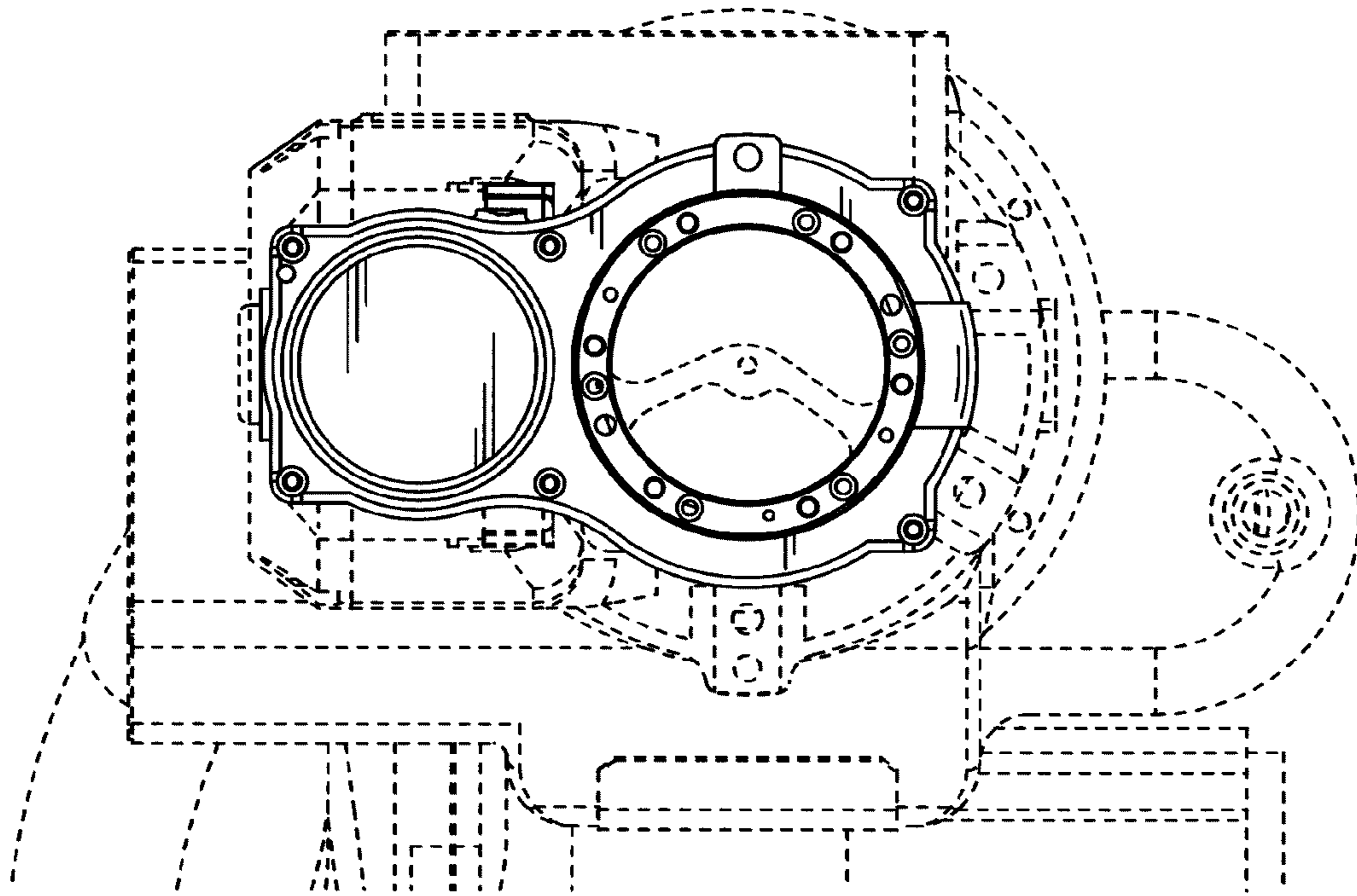


FIG.13

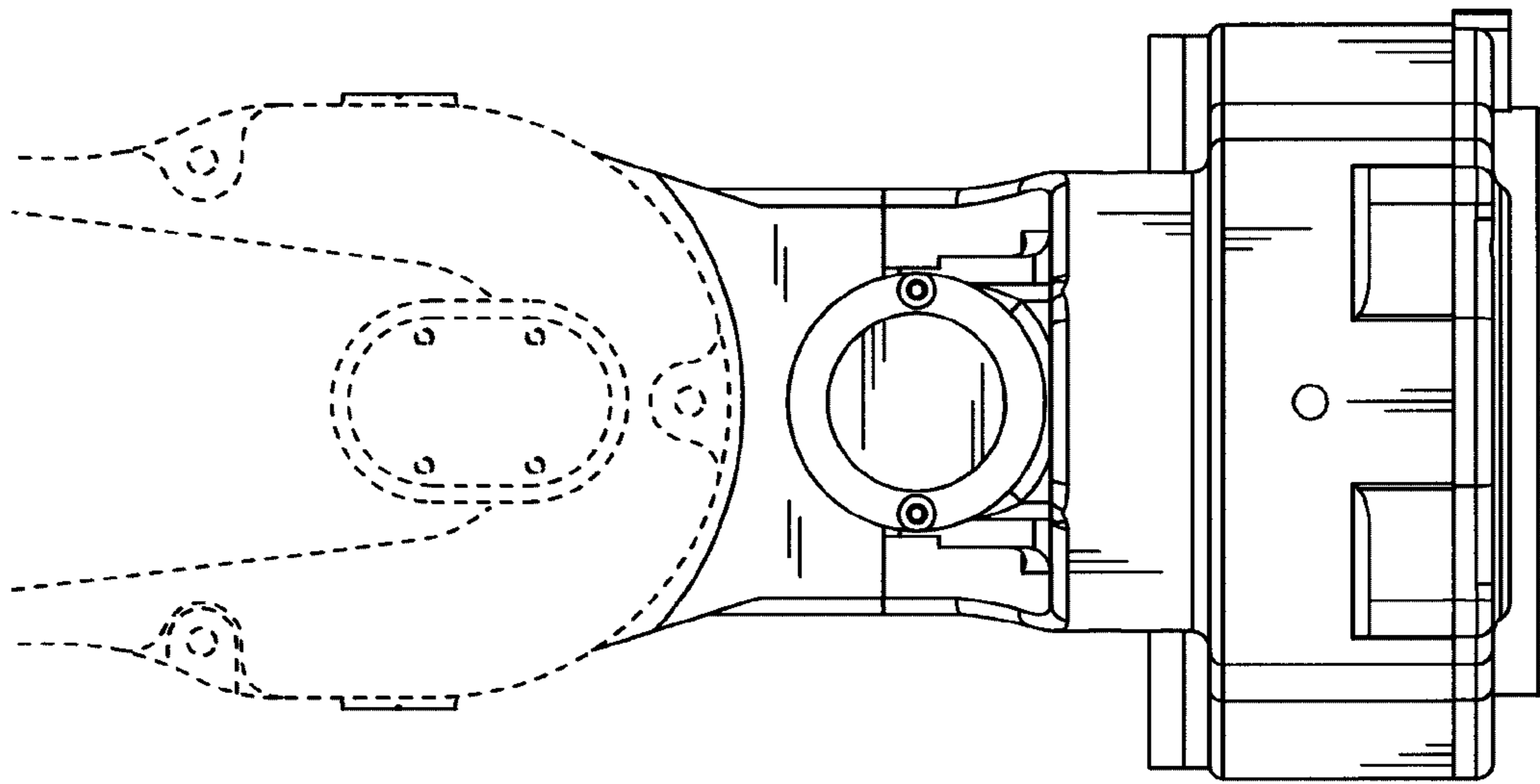


FIG.14

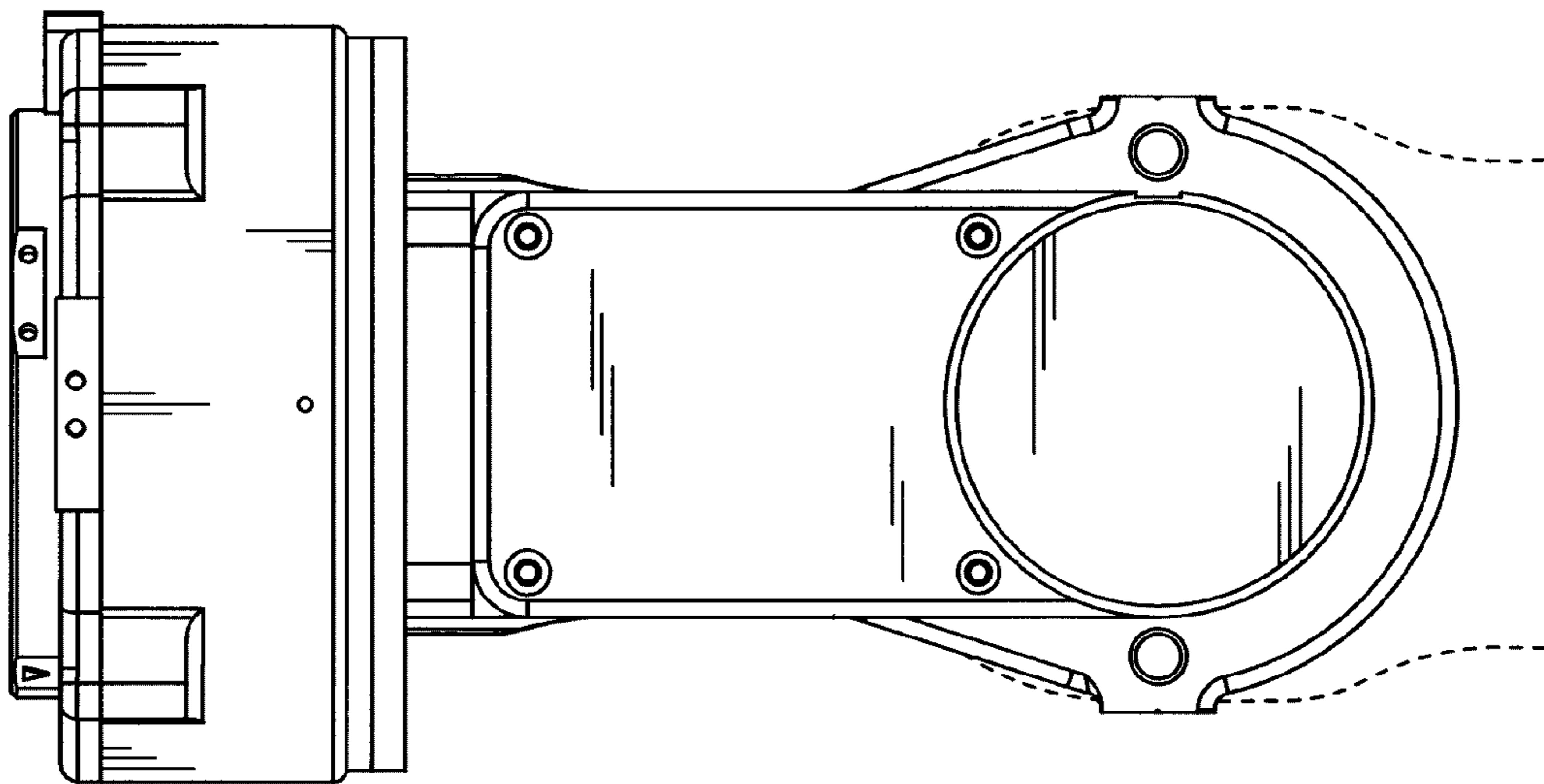


FIG.15

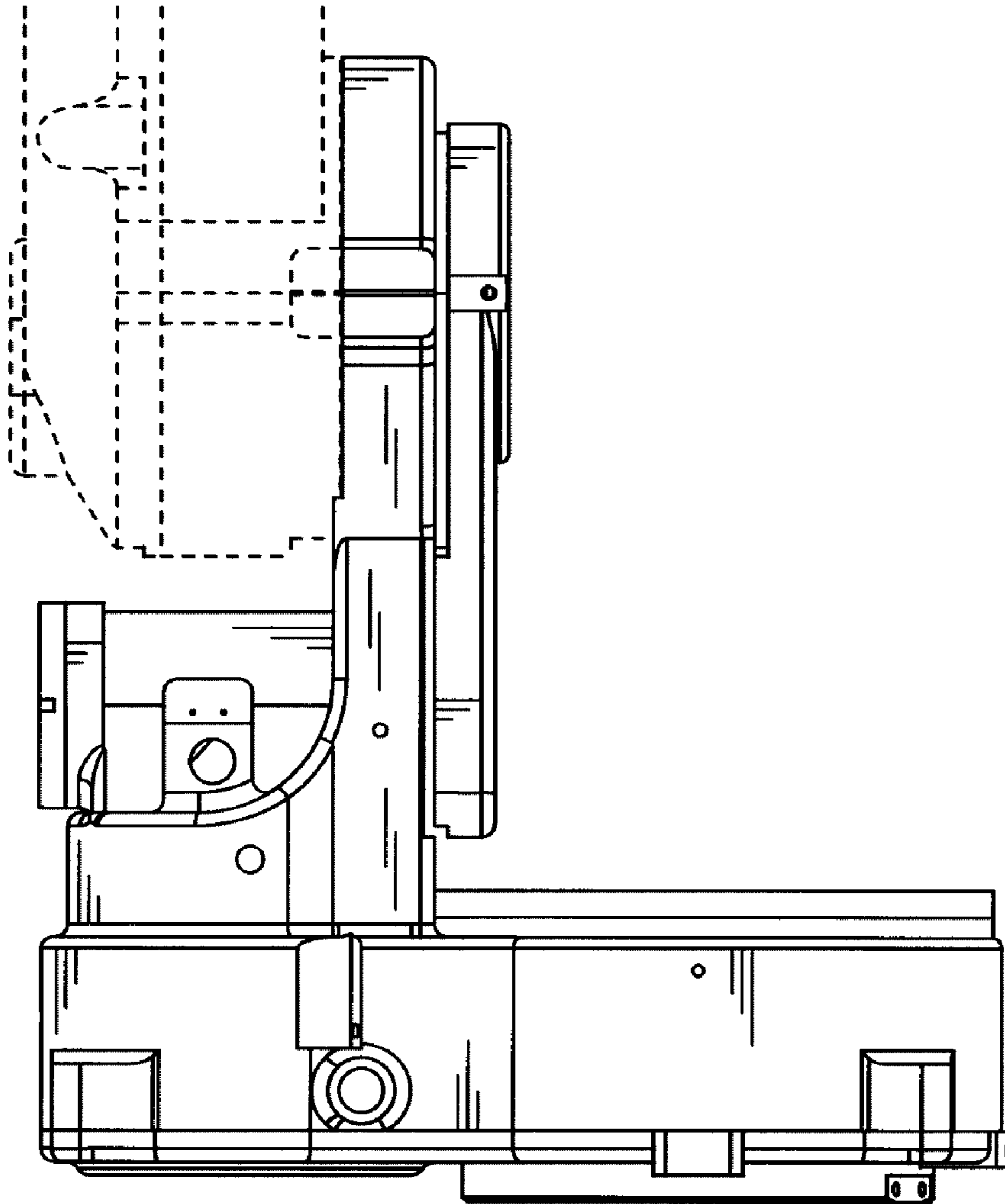


FIG.16

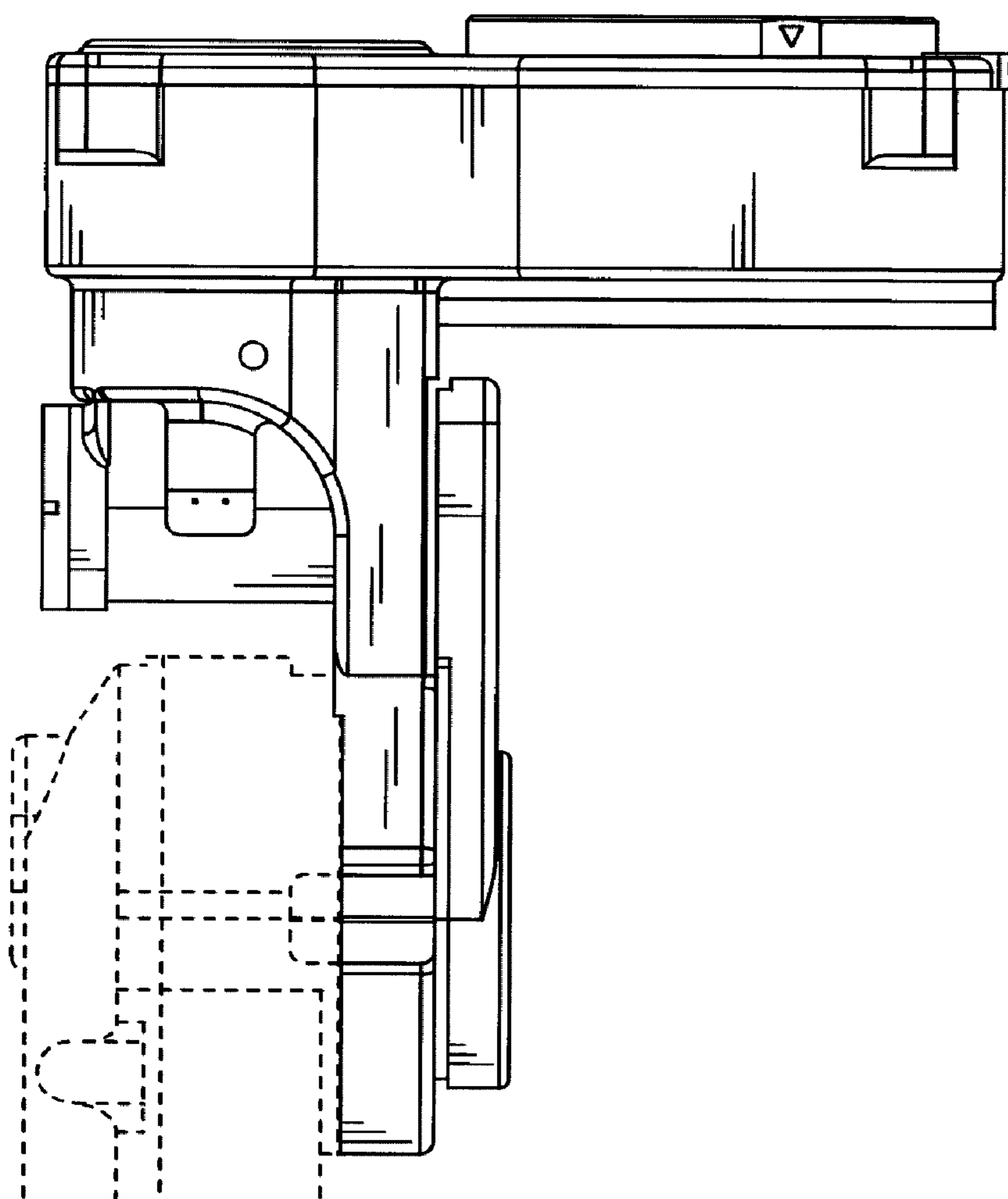


FIG.17