



US00D636417S

(12) **United States Design Patent**
Frolov et al.

(10) **Patent No.:** **US D636,417 S**
(45) **Date of Patent:** **** Apr. 19, 2011**

(54) **SUPPORT ASSEMBLY FOR A TABLE SAW**

(75) Inventors: **Andrew Frolov**, Glenview, IL (US);
Jason Feldner, Mount Prospect, IL
(US); **Carl Cepress**, Chicago, IL (US)

(73) Assignee: **Robert Bosch Tool Corporation**,
Broadview, IL (US)

(**) Term: **14 Years**

(21) Appl. No.: **29/366,449**

(22) Filed: **Jul. 26, 2010**

(51) **LOC (9) Cl.** **15-09**

(52) **U.S. Cl.** **D15/133; D15/141**

(58) **Field of Classification Search** D8/61,
D8/64-69, 70, 71; D15/133, 134, 140, 141,
D15/144; 30/377-378, 388-391, 397, 468.3,
30/469; 123/2; 125/35; 417/234; 455/3.02
See application file for complete search history.

(56) **References Cited**

U.S. PATENT DOCUMENTS

2,963,128	A	12/1960	Rapp	
4,377,099	A	3/1983	Howe	
4,693,156	A	9/1987	Olvera	
4,770,915	A	9/1988	Nakagawa et al.	
4,772,502	A	9/1988	Okura et al.	
4,976,251	A	12/1990	Smith	
5,174,349	A	12/1992	Svetlik et al.	
D354,757	S	1/1995	Wixey	
5,405,668	A	4/1995	Sandt	
5,619,896	A	4/1997	Chen	
D394,071	S	5/1998	Ceroll et al.	
D411,090	S	6/1999	Chang	
5,981,023	A	11/1999	Tozuka et al.	
D433,040	S *	10/2000	Krieck	D15/144.2
6,164,447	A	12/2000	Svetlik	
D458,947	S	6/2002	Svetlik et al.	
D472,519	S *	4/2003	Buck	D13/114
6,986,370	B1	1/2006	Schoene et al.	
D545,330	S *	6/2007	DiPasquale et al.	D15/133

D566,029	S *	4/2008	Swinson, III	D12/217
D569,402	S *	5/2008	DiPasquale et al.	D15/133
D610,890	S *	3/2010	Collins	D8/70
D616,906	S *	6/2010	Bender et al.	D15/144
D620,333	S *	7/2010	Collins	D8/70
D626,158	S *	10/2010	Jebb	D15/133
2004/0168653	A1 *	9/2004	Radtke	123/2
2005/0092155	A1	5/2005	Phillips et al.	
2007/0246869	A1	10/2007	Rymarchyk et al.	
2008/0273994	A1 *	11/2008	Sadkowski et al.	417/234

* cited by examiner

Primary Examiner — Patricia Palasik

(74) *Attorney, Agent, or Firm* — Maginot, Moore & Beck

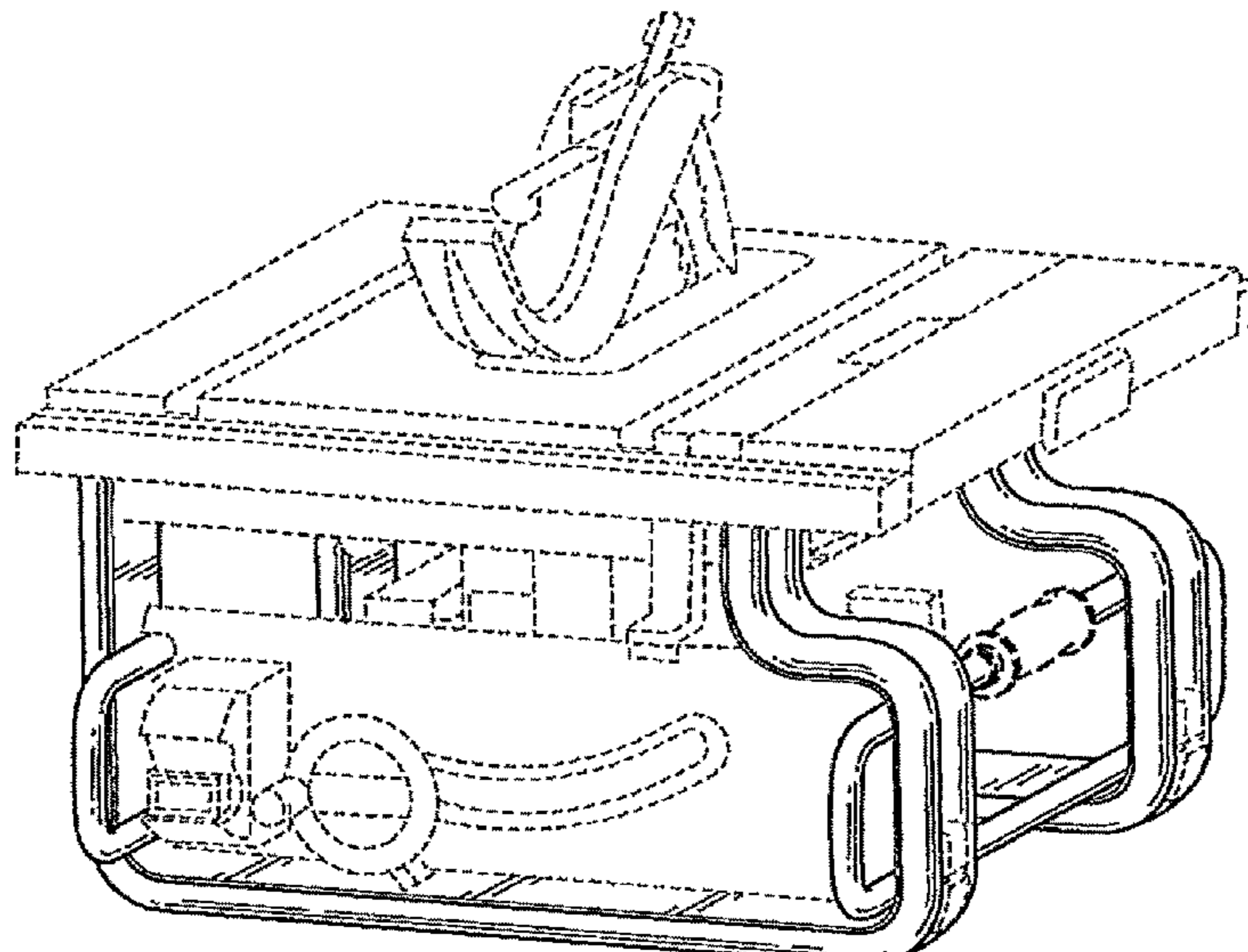
(57) **CLAIM**

The ornamental design for a support assembly for a table saw, as shown and described.

DESCRIPTION

FIG. 1 is a perspective view of a support assembly for a table saw showing my new design;
 FIG. 2 is a front elevational view showing the design for the support assembly of FIG. 1;
 FIG. 3 is a rear elevational view showing the design for the support assembly of FIG. 1;
 FIG. 4 is a right side elevational view showing the design for the support assembly of FIG. 1;
 FIG. 5 is left side elevational view showing the design for the support assembly of FIG. 1;
 FIG. 6 is a top elevational view showing the design for the support assembly of FIG. 1;
 FIG. 7 is a bottom elevational view showing the design for the support assembly of FIG. 1; and,
 FIG. 8 is another perspective view showing the design for the support assembly of FIG. 1.
 The broken line showing of portions of the support assembly in FIGS. 1-8, as well as its use environment in FIG. 1, is included for illustrative purposes only and forms no part of the claimed design.

1 Claim, 5 Drawing Sheets



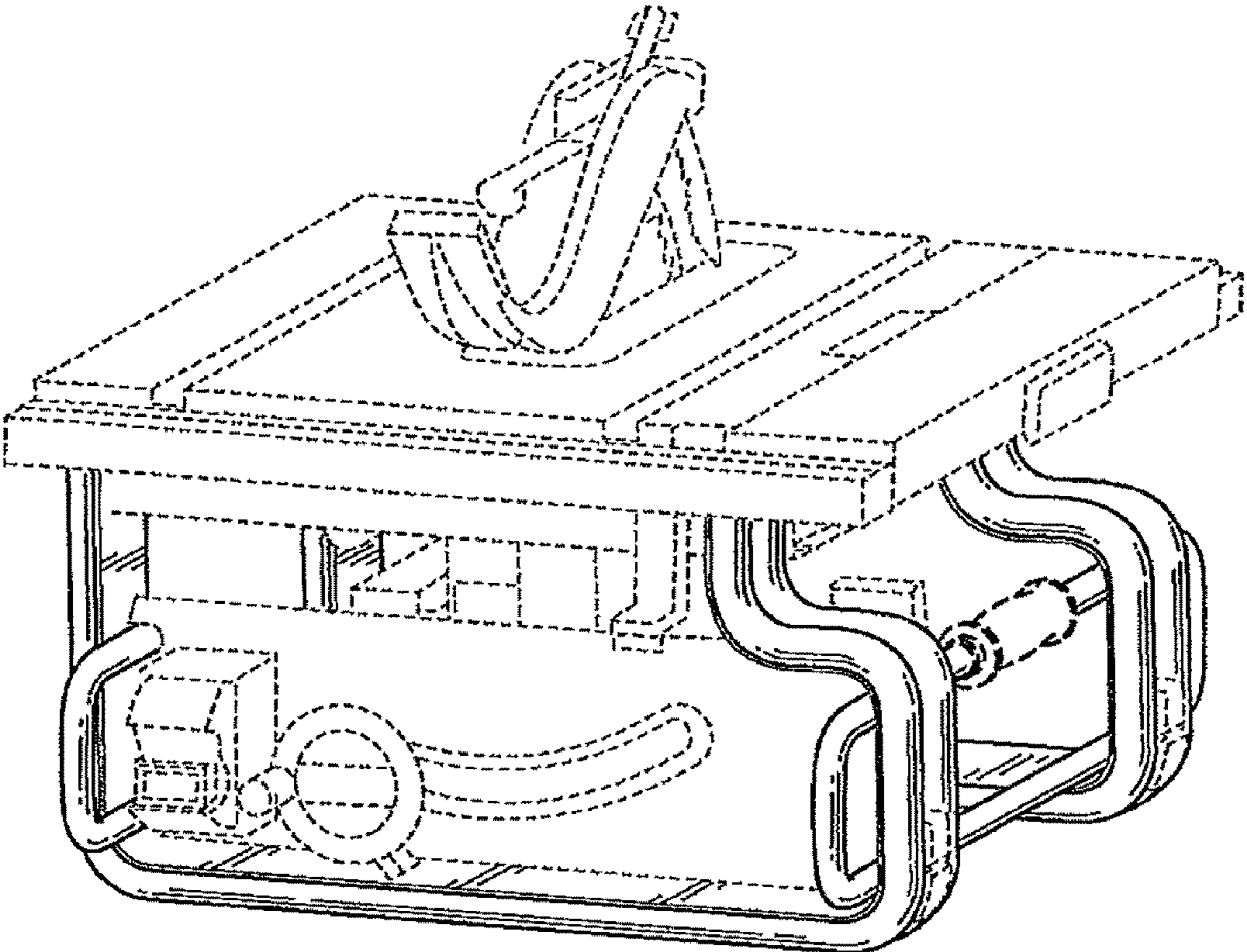


FIG. 1

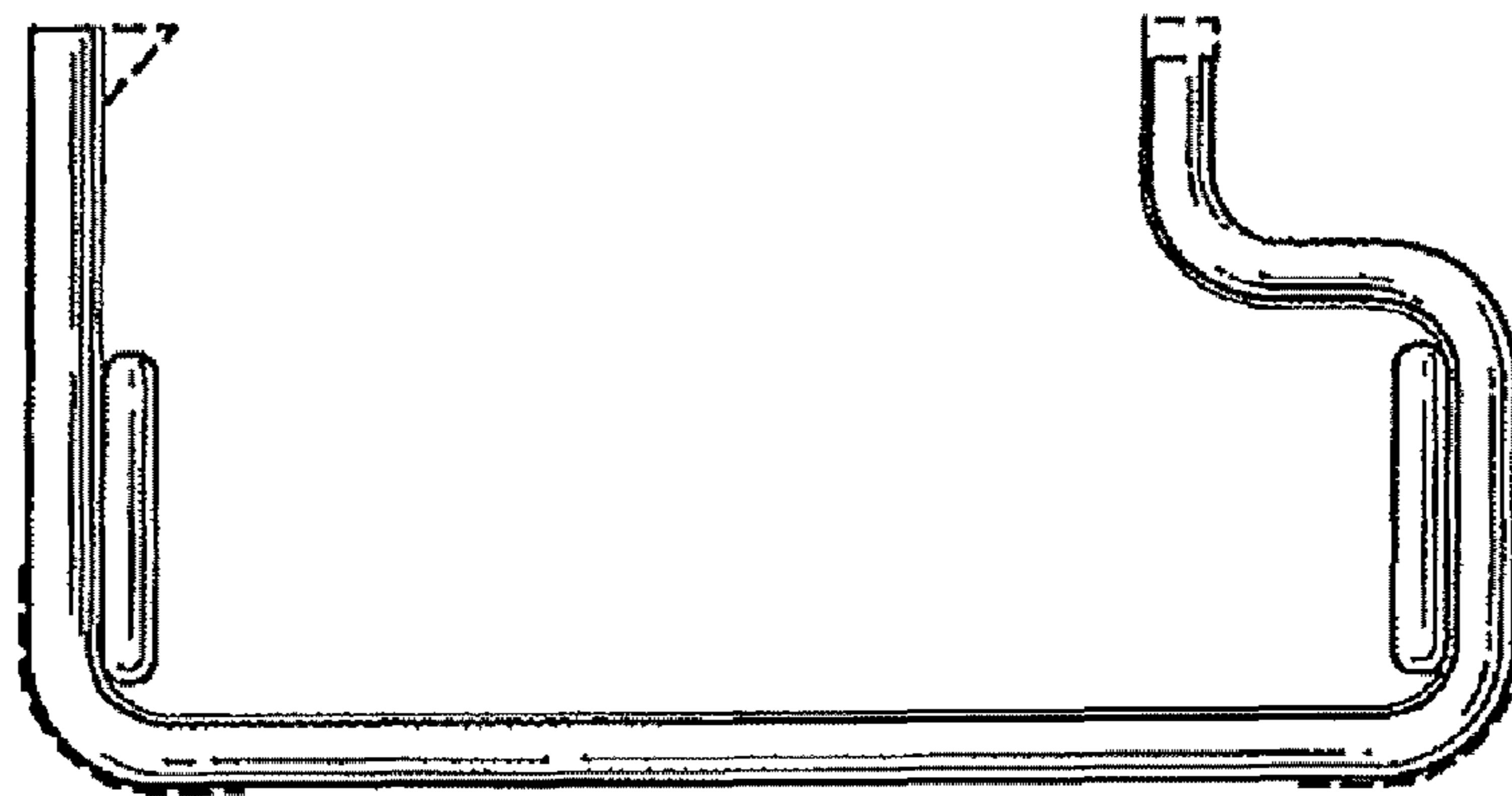


FIG. 2

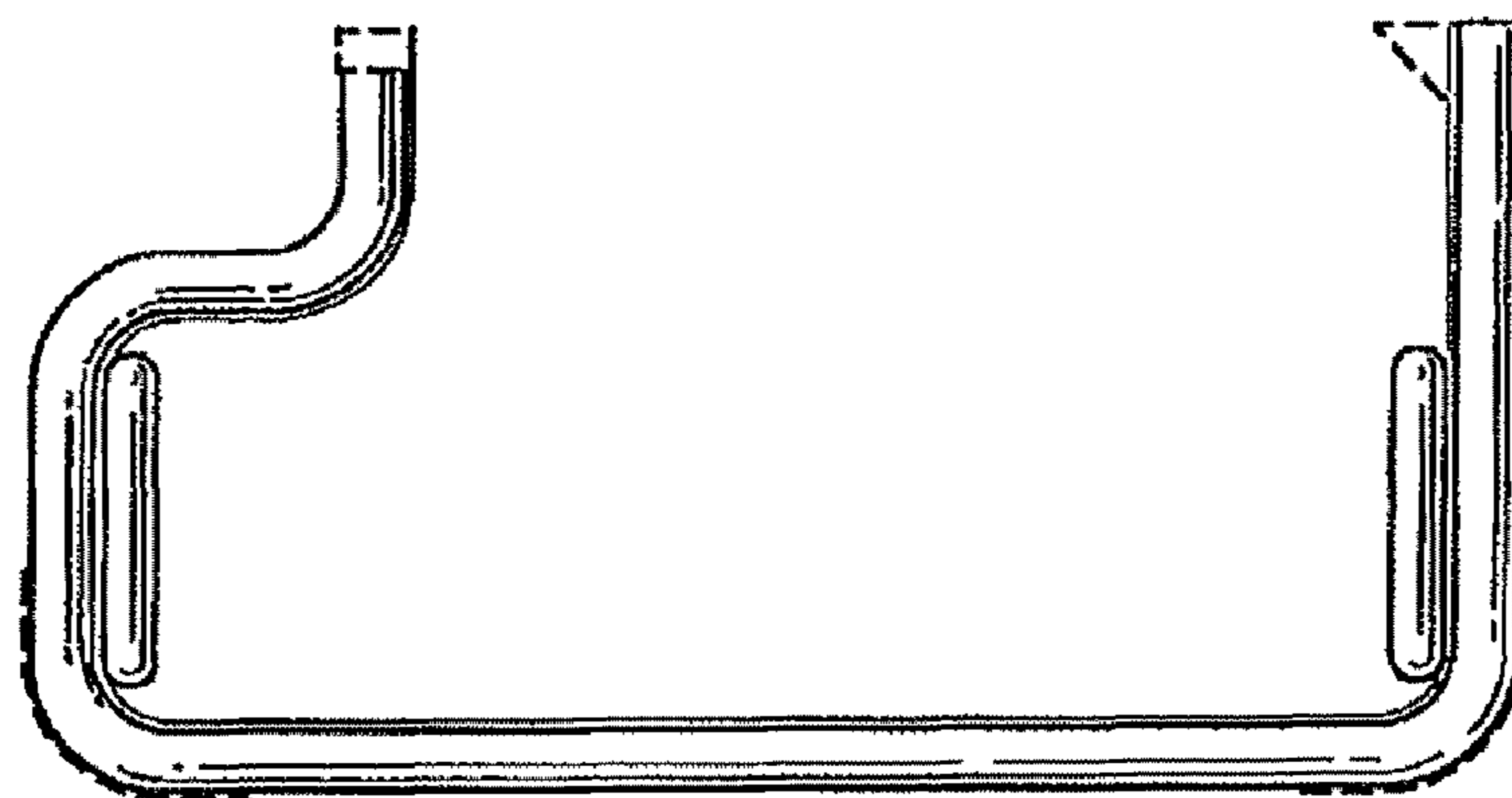


FIG. 3

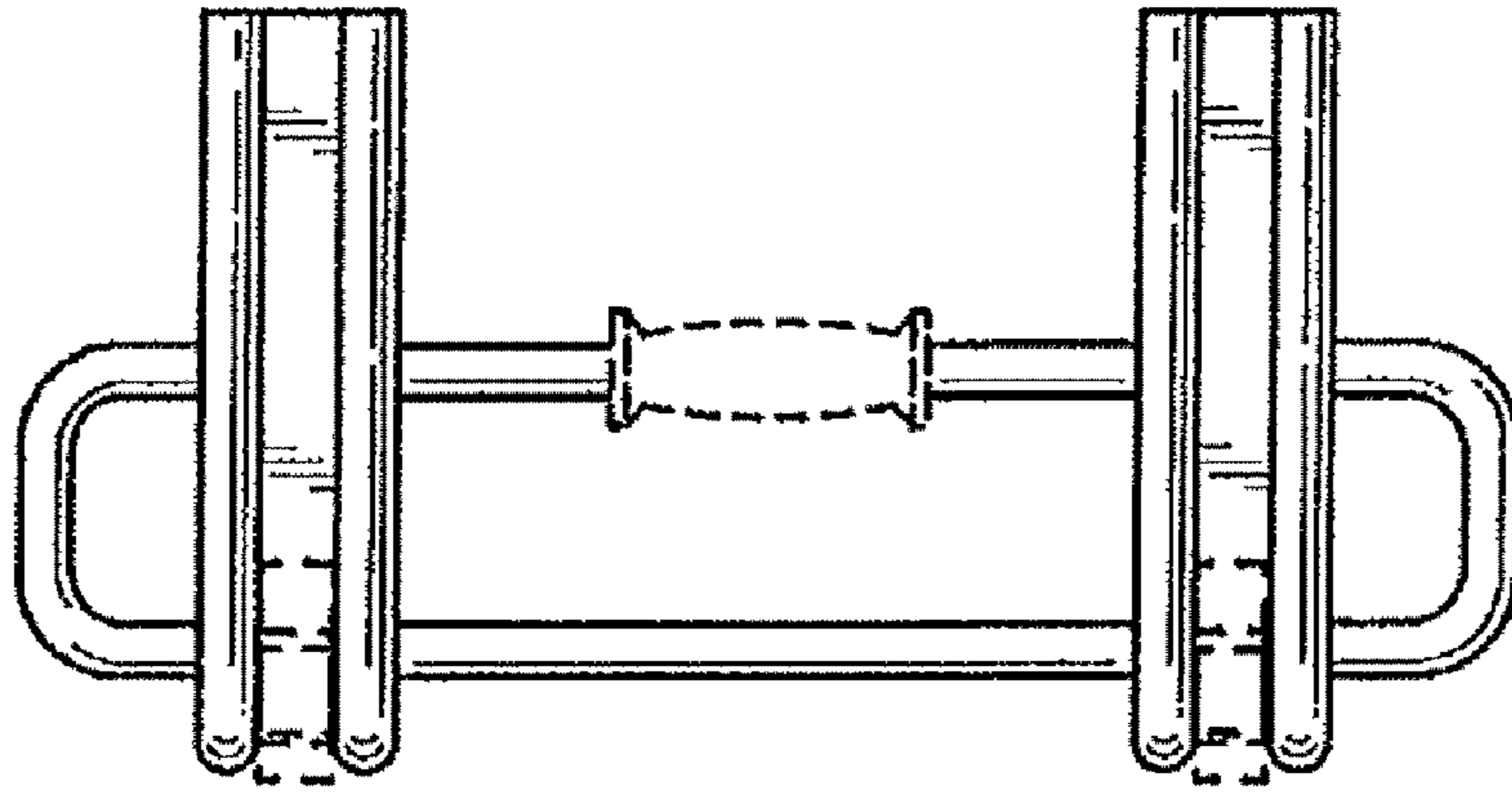


FIG. 4

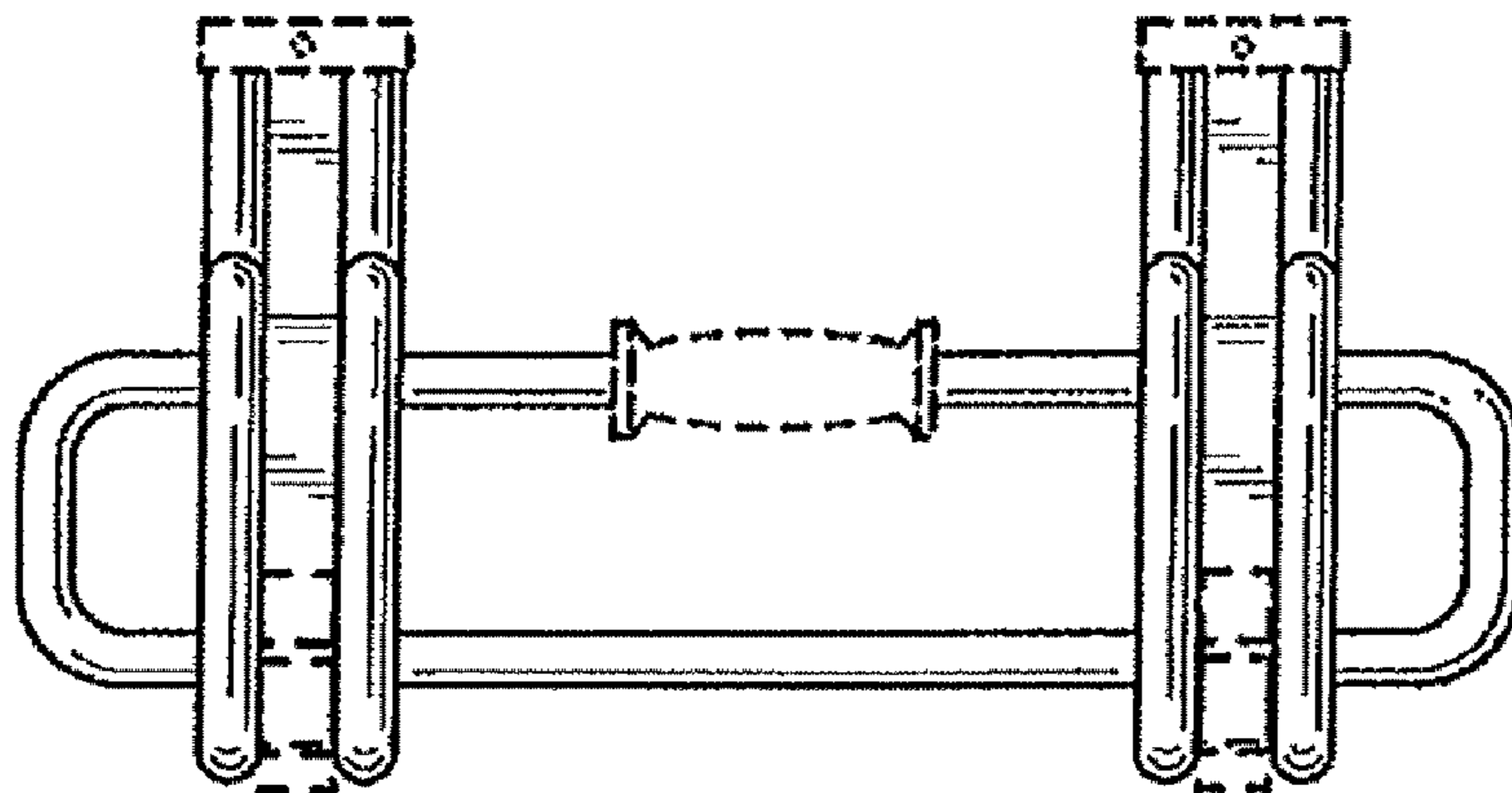


FIG. 5

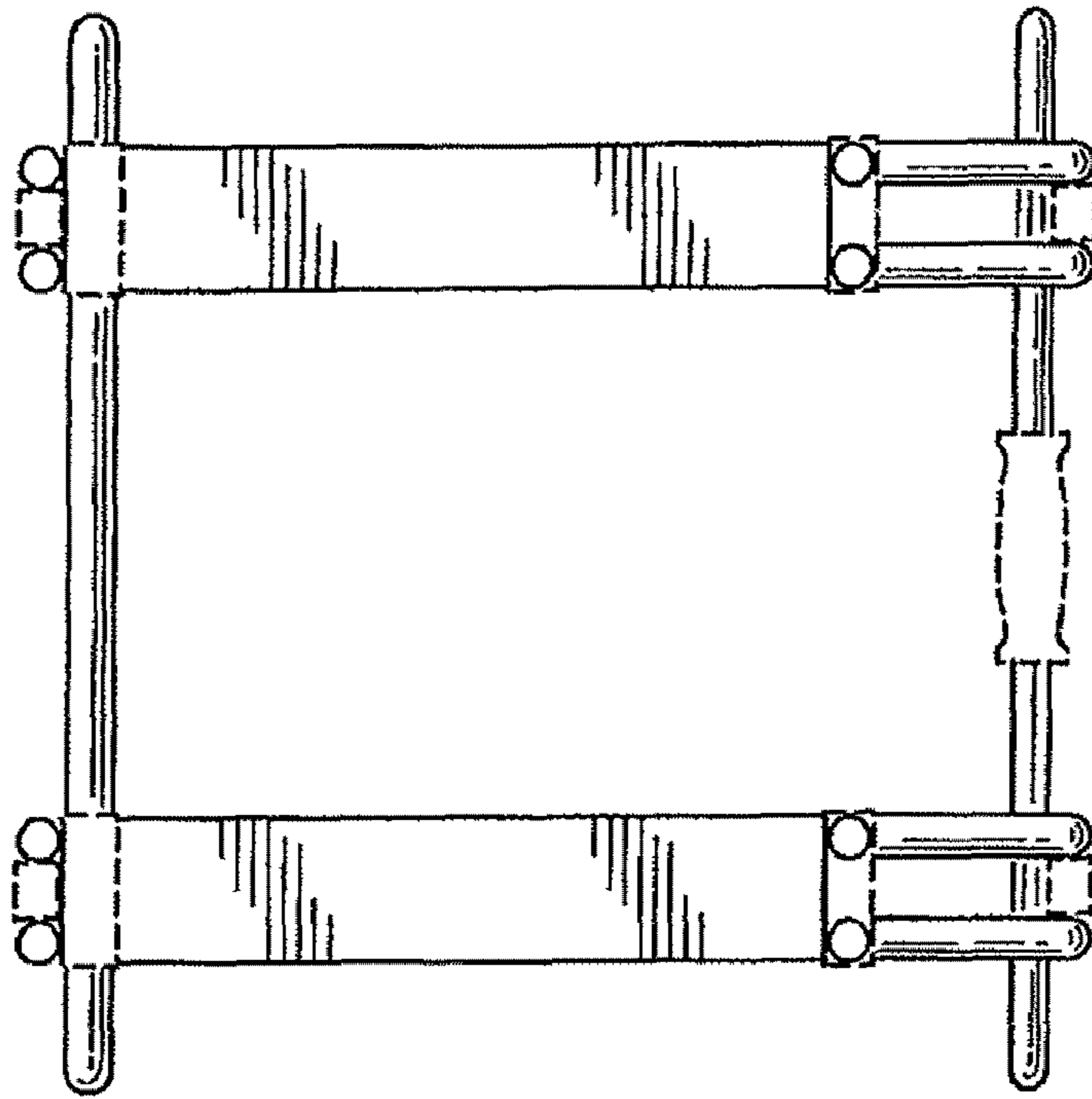


FIG. 6

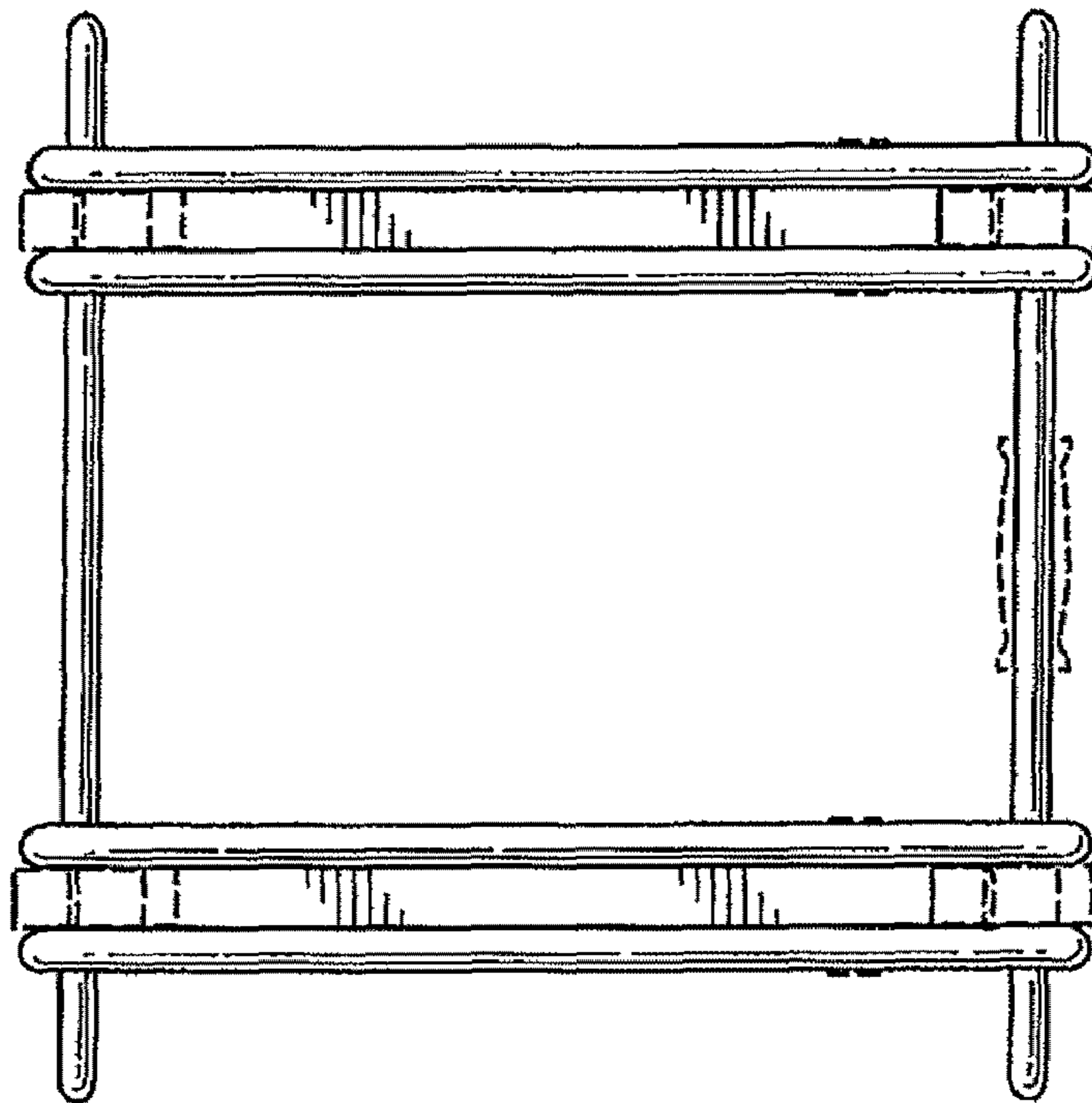


FIG. 7

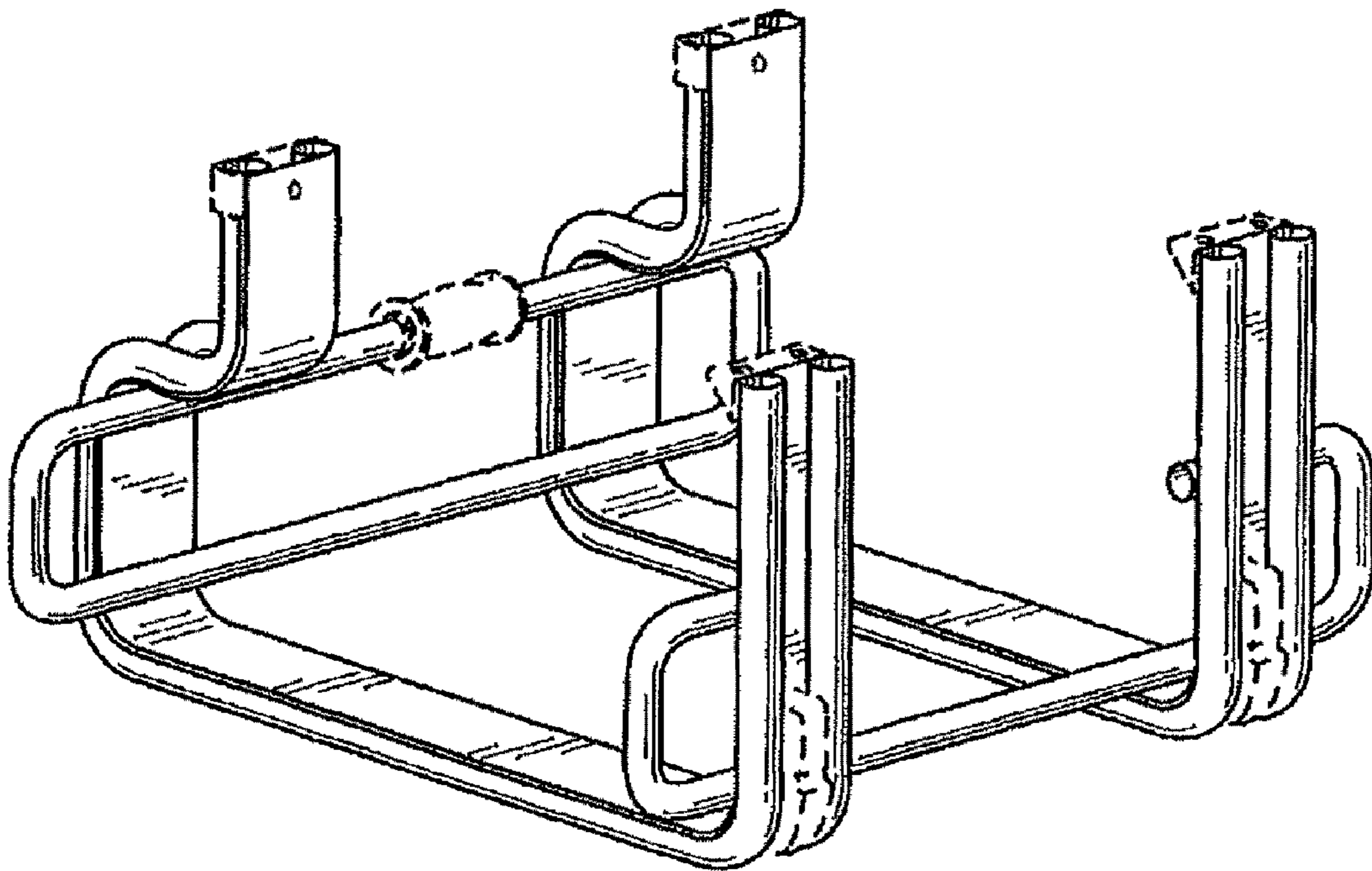


FIG. 8