



US00D636414S

(12) **United States Design Patent**
Kanai

(10) **Patent No.:** **US D636,414 S**

(45) **Date of Patent:** **** Apr. 19, 2011**

(54) **PRESSING MACHINE**

(75) Inventor: **Takashi Kanai**, Tokyo (JP)

(73) Assignee: **Janome Sewing Machine Company Limited**, Tokyo (JP)

(**) Term: **14 Years**

(21) Appl. No.: **29/371,172**

(22) Filed: **Nov. 12, 2010**

(30) **Foreign Application Priority Data**

Jun. 18, 2010 (JP) 2010-014976

(51) **LOC (9) Cl.** **15-09**

(52) **U.S. Cl.** **D15/123**

(58) **Field of Classification Search** D15/123,
D15/127, 128, 136, 138; 72/20.1, 21.3, 30.1,
72/31.01, 336, 337, 339, 405.16, 452.6, 453.08,
72/481.1; 74/55, 603, 628; 83/368, 527,
83/627, 628, 640; 100/46, 137, 207, 231,
100/232, 257, 269.01-269.21, 270-272,
100/282, 291, 292, 348, 902
See application file for complete search history.

(56) **References Cited**

U.S. PATENT DOCUMENTS

1,327,976	A *	1/1920	Benjamin	223/52.1
D115,650	S *	7/1939	Ernst	D15/123
D142,023	S *	8/1945	Denison	D15/123
3,052,011	A *	9/1962	Sedgwick et al.	483/44
4,455,857	A *	6/1984	Salvagnini	72/320
4,462,291	A *	7/1984	Schulz	83/368

D280,327	S *	8/1985	Wilson	D15/123
D336,478	S *	6/1993	Balbas et al.	D15/123
5,301,585	A *	4/1994	Hosaka	83/549
D352,724	S *	11/1994	Corrigan et al.	D15/147
5,687,645	A *	11/1997	Kato	100/282
5,720,201	A *	2/1998	Yoshida et al.	74/44
5,906,155	A *	5/1999	Hammond	100/231
6,520,074	B1 *	2/2003	Sunata et al.	100/137
7,007,529	B2 *	3/2006	Futamura et al.	72/20.1
D518,494	S *	4/2006	Rapp	D15/123
7,451,694	B1 *	11/2008	Wang	100/171
2002/0083850	A1 *	7/2002	Wu et al.	100/232
2002/0088100	A1 *	7/2002	Lee et al.	29/251
2003/0219506	A1 *	11/2003	Persico	425/435
2005/0039510	A1 *	2/2005	Futamura et al.	72/20.1

* cited by examiner

Primary Examiner — Patricia Palasik

(74) *Attorney, Agent, or Firm* — Jacobson Holman PLLC

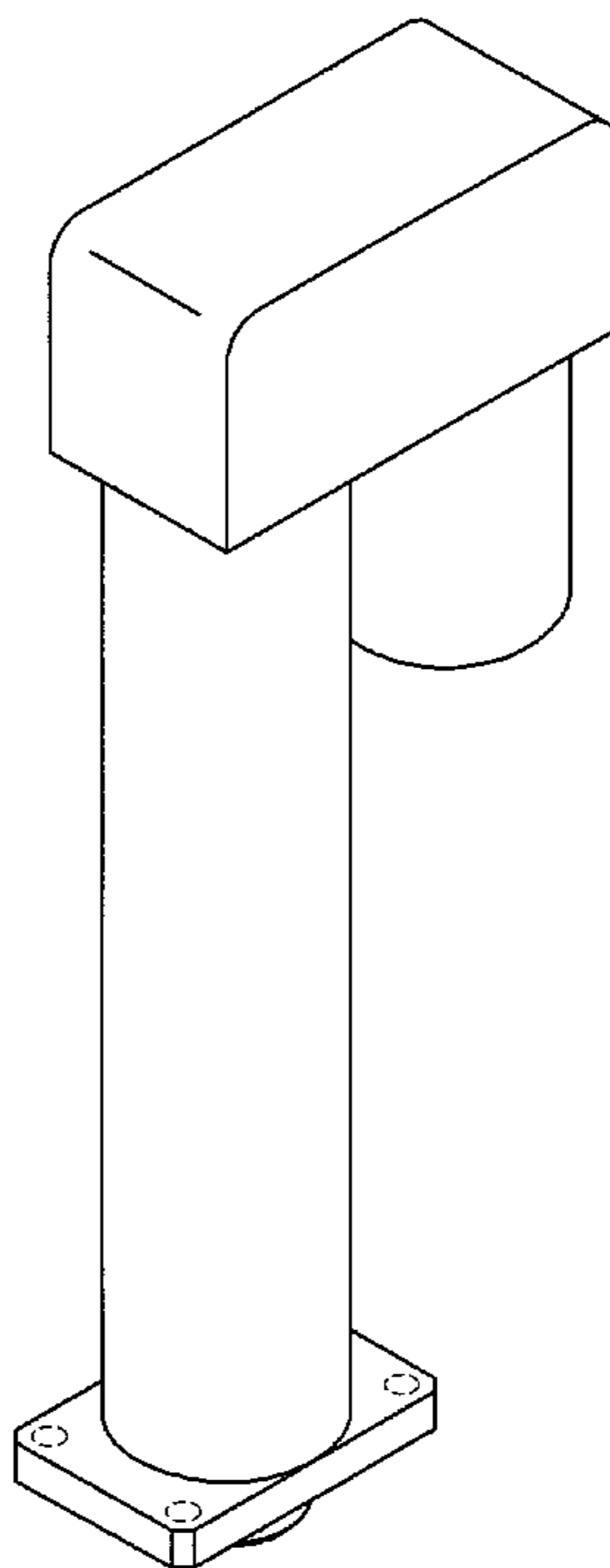
(57) **CLAIM**

The ornamental design for a pressing machine, as shown and described.

DESCRIPTION

FIG. 1 is a front perspective view showing my new design for a pressing machine,
FIG. 2 is a front view thereof,
FIG. 3 is a left side view thereof,
FIG. 4 is a right side view thereof,
FIG. 5 is a rear view thereof; and,
FIG. 6 is a bottom view thereof.
The broken lines in the drawings depict unclaimed environmental subject matter.

1 Claim, 5 Drawing Sheets



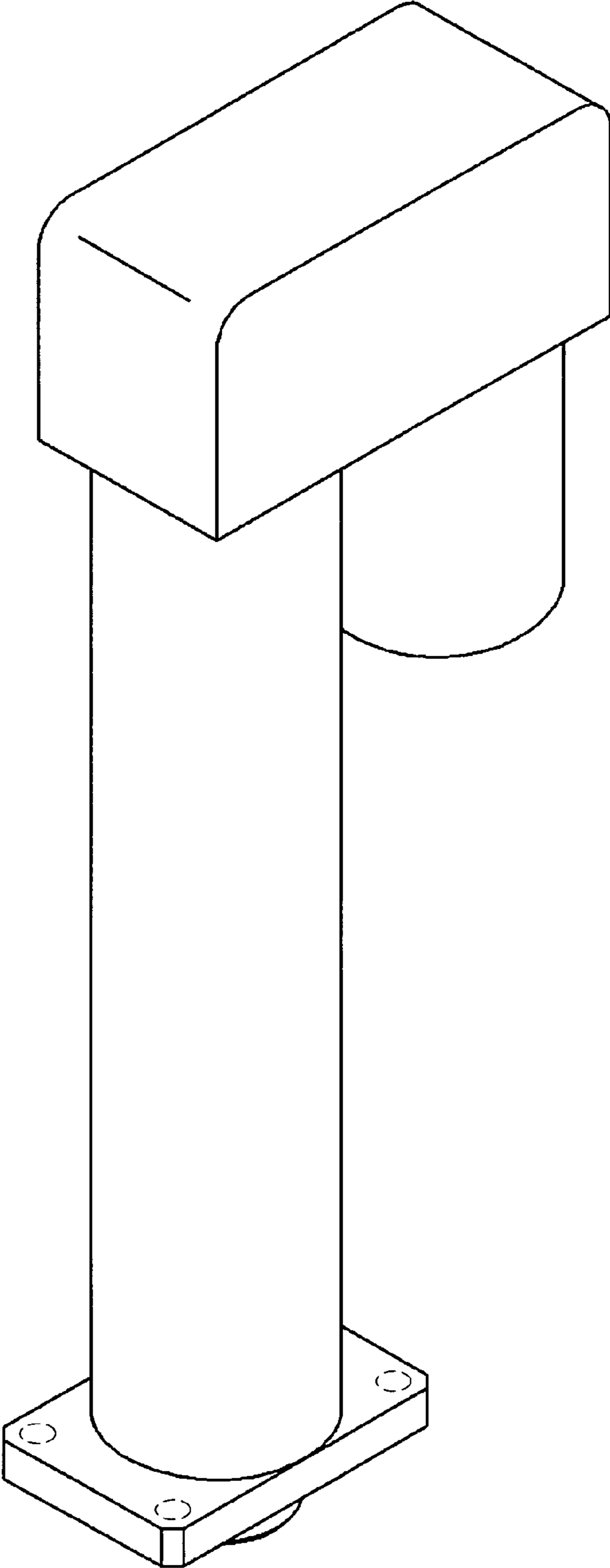


FIGURE 1

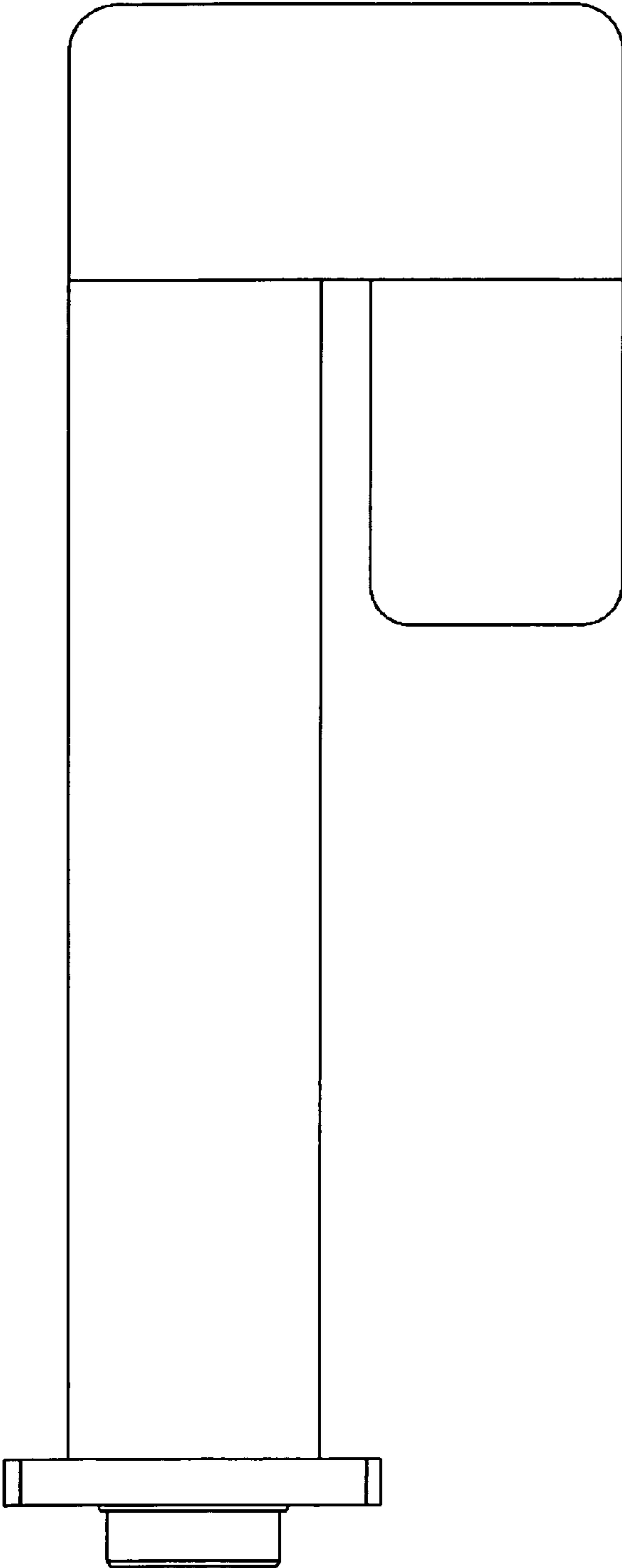


FIGURE 2

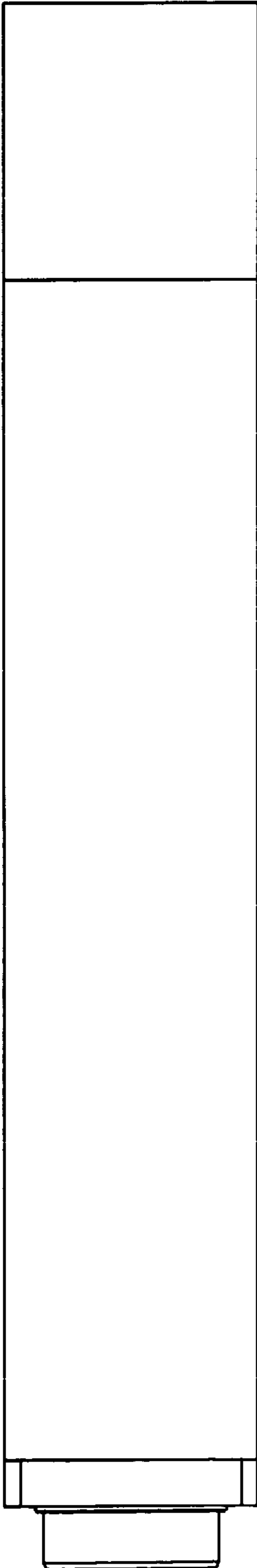


FIGURE 3

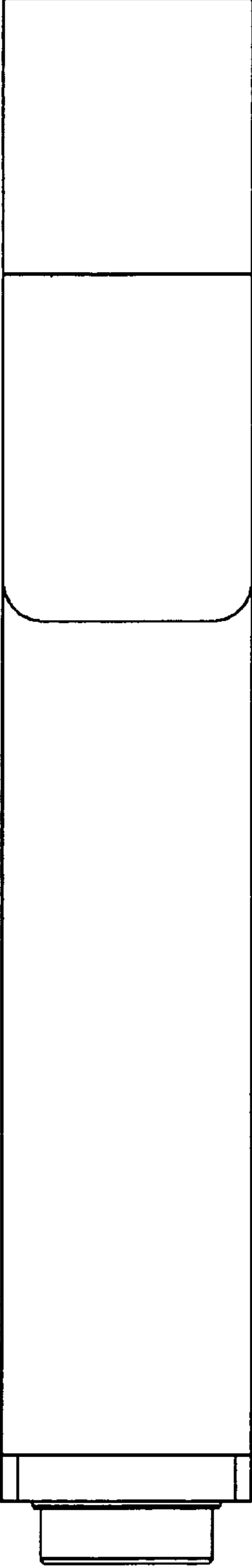


FIGURE 4

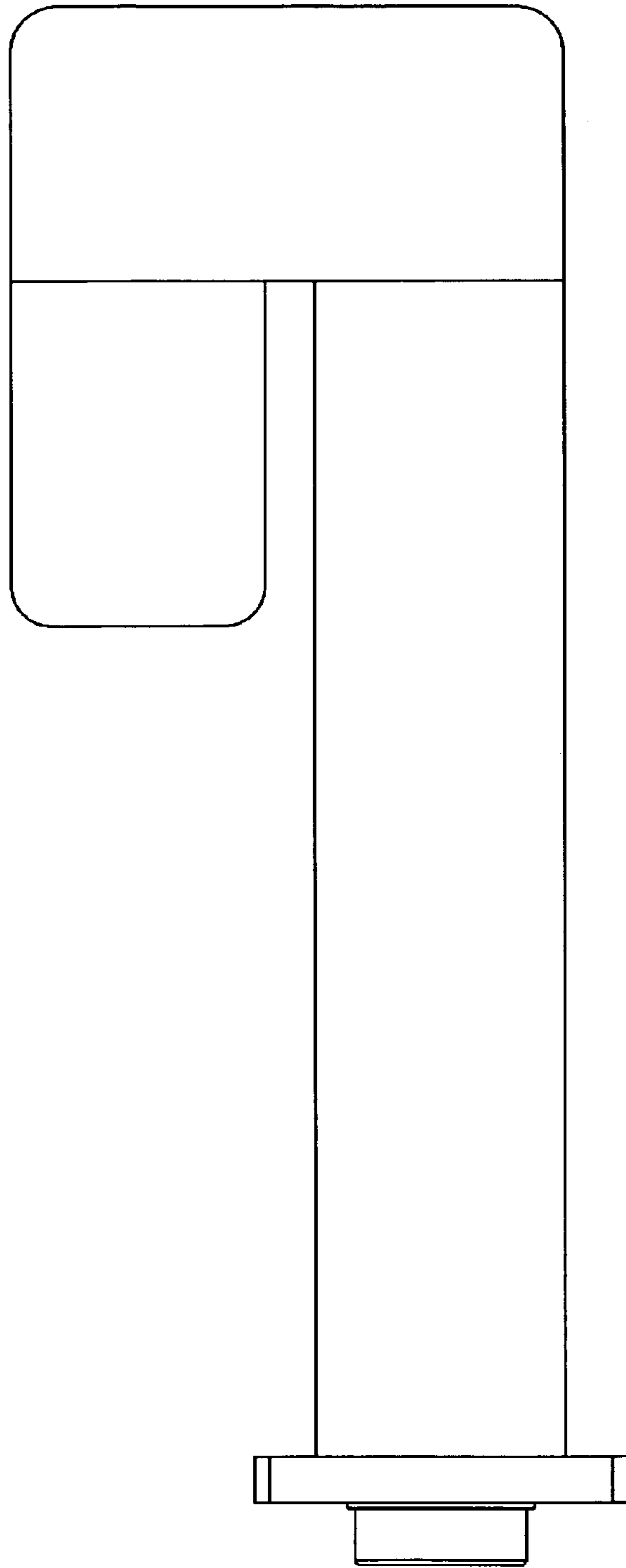


FIGURE 5

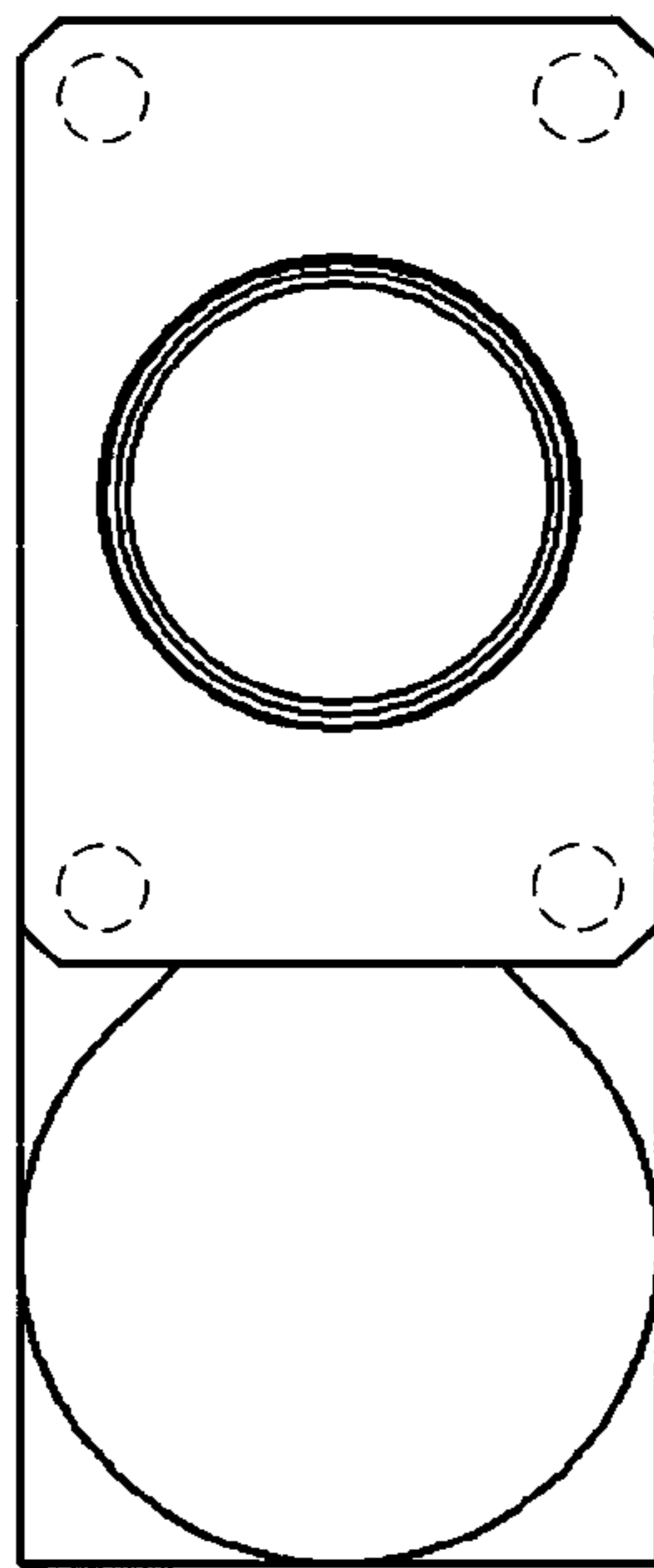


FIGURE 6