



US00D636413S

(12) **United States Design Patent**
Gustavsson et al.

(10) **Patent No.:** **US D636,413 S**
(45) **Date of Patent:** **** Apr. 19, 2011**

(54) **PRESS BODY**

(75) Inventors: **Tord Gustavsson**, Forshaga (SE);
Göran Ekström, Väse (SE)

(73) Assignee: **Metso Paper Karlstad AB**, Karlstad
(SE)

(**) Term: **14 Years**

(21) Appl. No.: **29/342,433**

(22) Filed: **Aug. 25, 2009**

(30) **Foreign Application Priority Data**

Feb. 26, 2009 (EM) 001096036

(51) **LOC (9) Cl.** **15-09**

(52) **U.S. Cl.** **D15/123**

(58) **Field of Classification Search** D15/122,
D15/123, 131; 29/428; 72/405.1, 445, 448,
72/455, 465; 100/100, 102, 207, 208, 214,
100/229 A, 268, 282, 292; 162/289; 198/468.3,
198/468.4; 414/222.12, 736; 435/86, 135,
435/347, 348 S, 349, 350, 353, 358, 355,
435/360

See application file for complete search history.

(56) **References Cited**

U.S. PATENT DOCUMENTS

4,259,052 A *	3/1981	Imanishi et al.	425/135
4,502,379 A *	3/1985	Sato	100/214
4,648,786 A *	3/1987	Sakurai	198/468.3
D331,414 S *	12/1992	Long	D15/123
D350,142 S *	8/1994	Imanishi et al.	D15/123
D372,146 S *	7/1996	Svee	D6/476
D413,339 S *	8/1999	Wales, Jr.	D15/123
D525,270 S *	7/2006	Bundschuh	D15/123
D604,343 S *	11/2009	Murakami et al.	D15/123

* cited by examiner

Primary Examiner — Patricia Palasik

(74) *Attorney, Agent, or Firm* — KED & Associates LLP

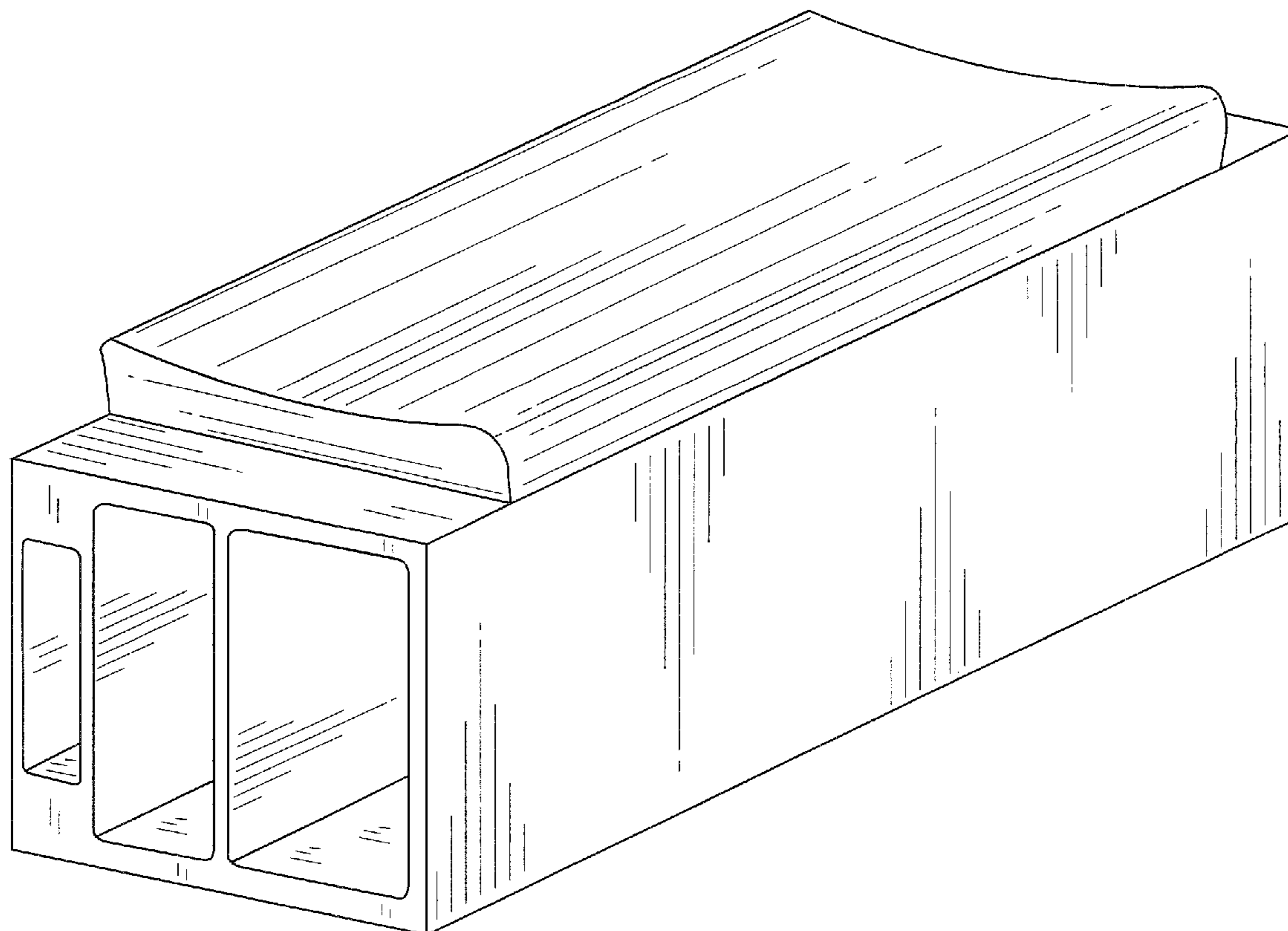
(57) **CLAIM**

The ornamental design for “a press body,” as shown and described.

DESCRIPTION

FIG. 1 is a front perspective view of a press body;
FIG. 2 is a rear perspective view of the press body of FIG. 1;
FIG. 3 is a front view of the press body of FIG. 1;
FIG. 4 is a rear view of the press body of FIG. 1;
FIG. 5 is a side view of the press body of FIG. 1;
FIG. 6 is an opposite side view of the press body of FIG. 1;
FIG. 7 is a top view of the press body of FIG. 1; and,
FIG. 8 is a bottom view of the press body of FIG. 1.

1 Claim, 7 Drawing Sheets



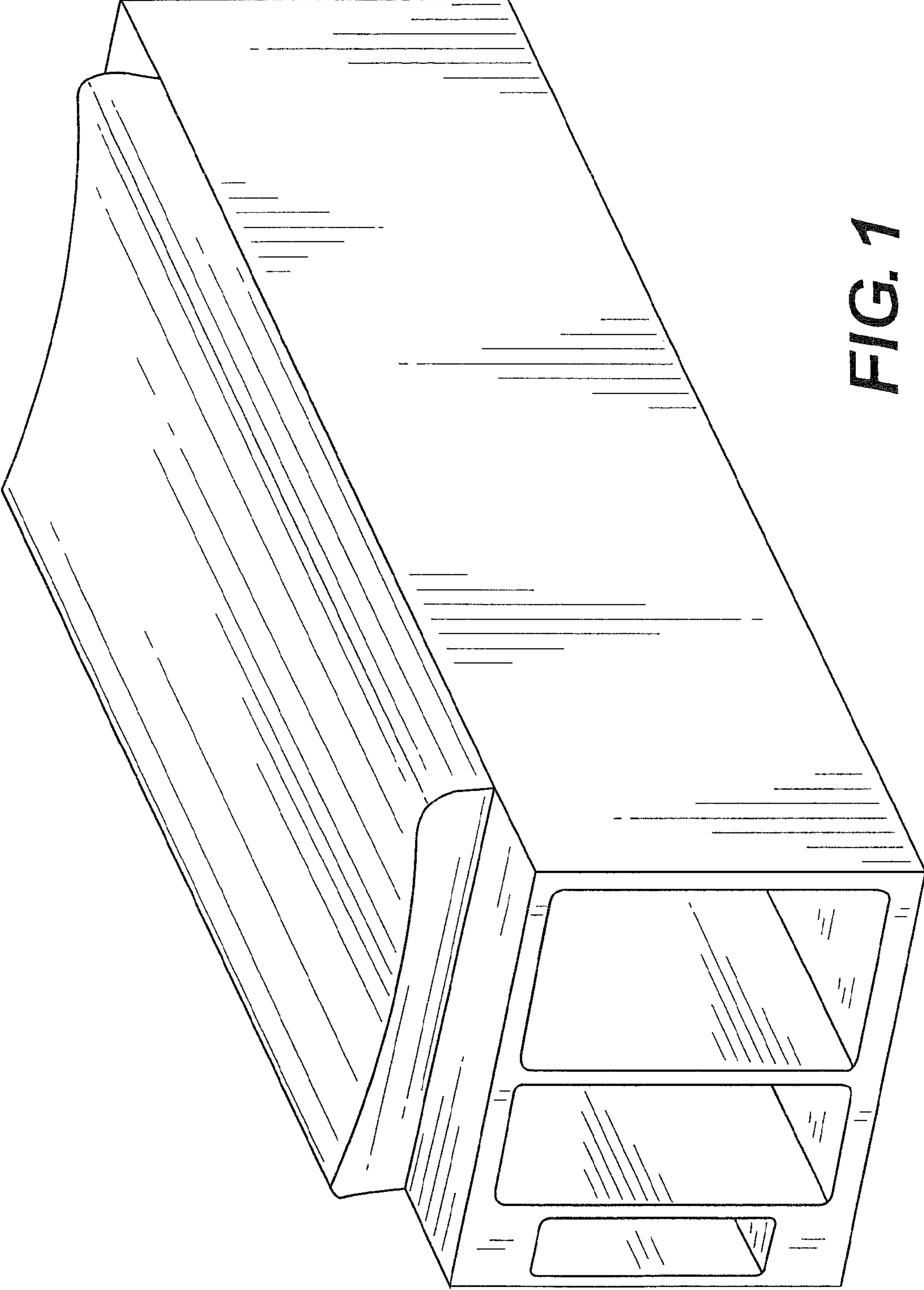


FIG. 1

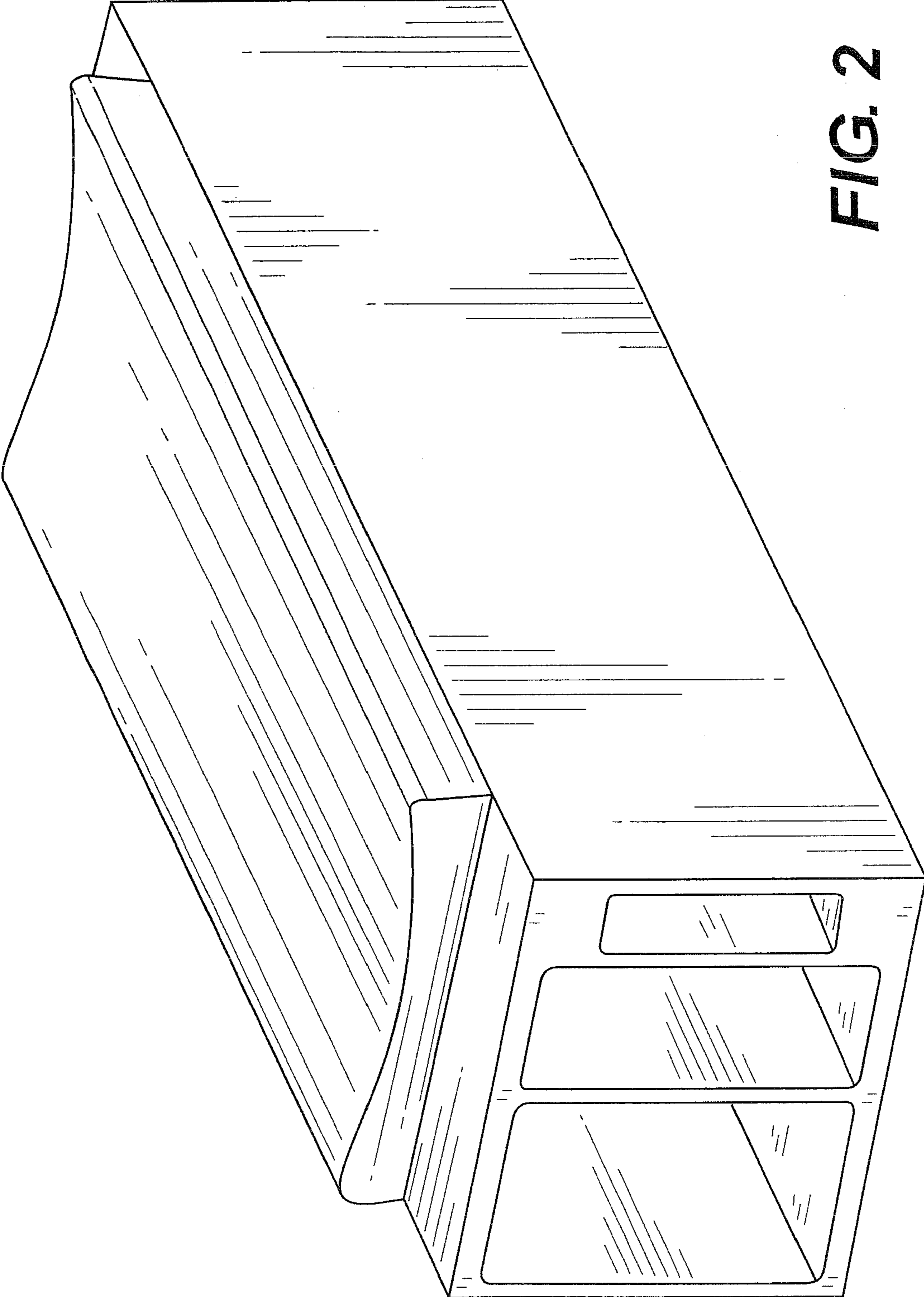


FIG. 2

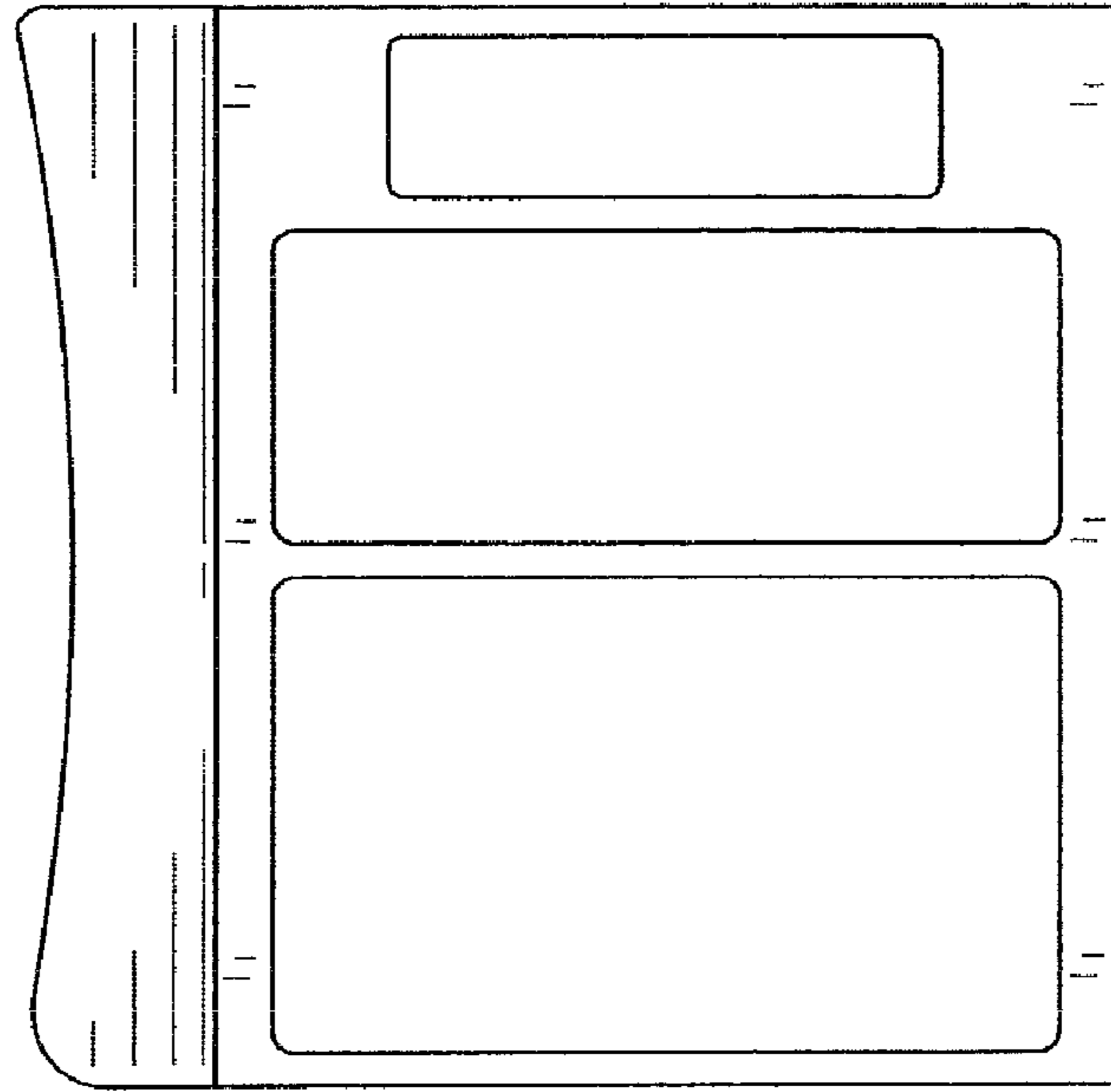


FIG. 3

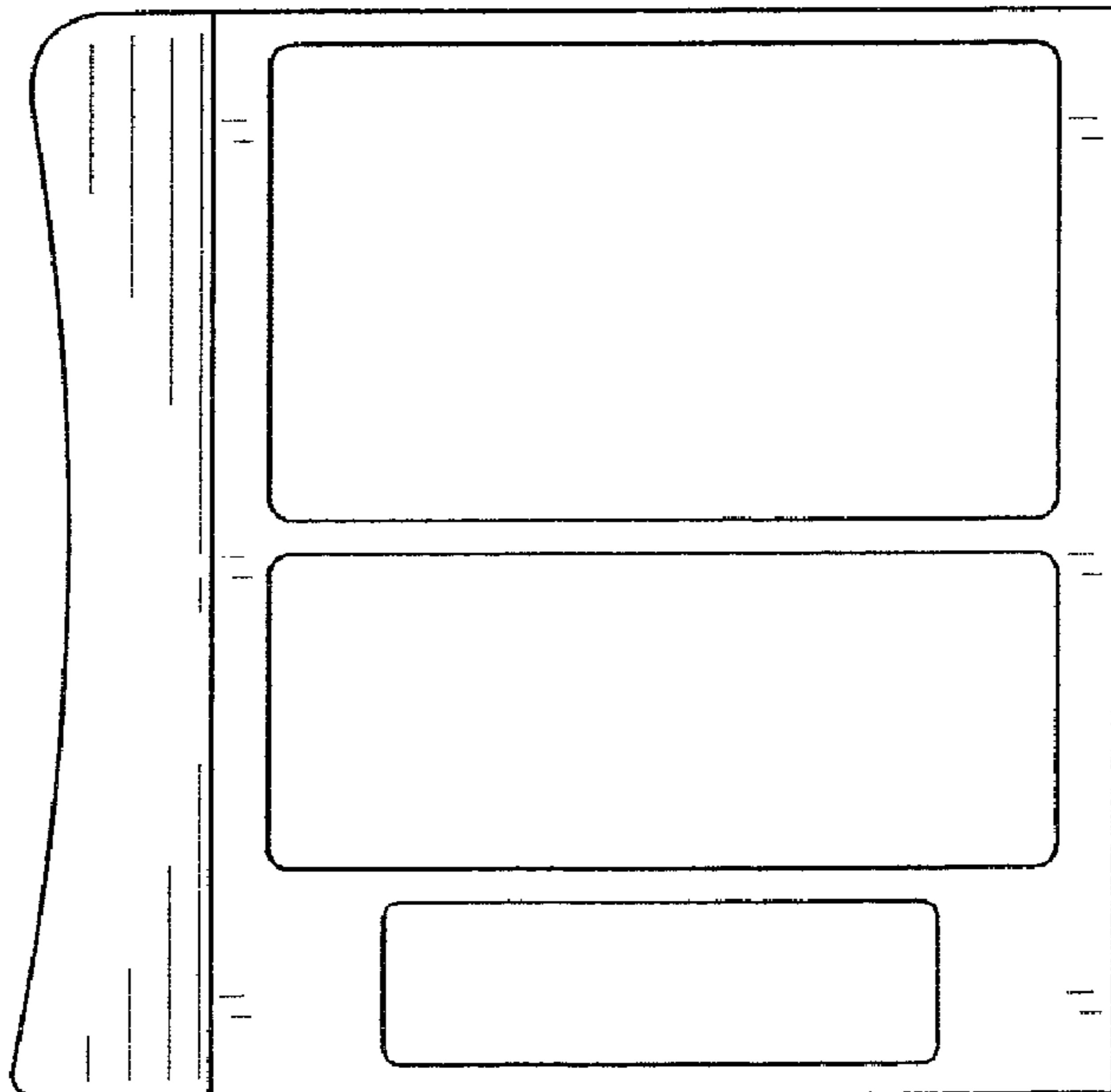


FIG. 4

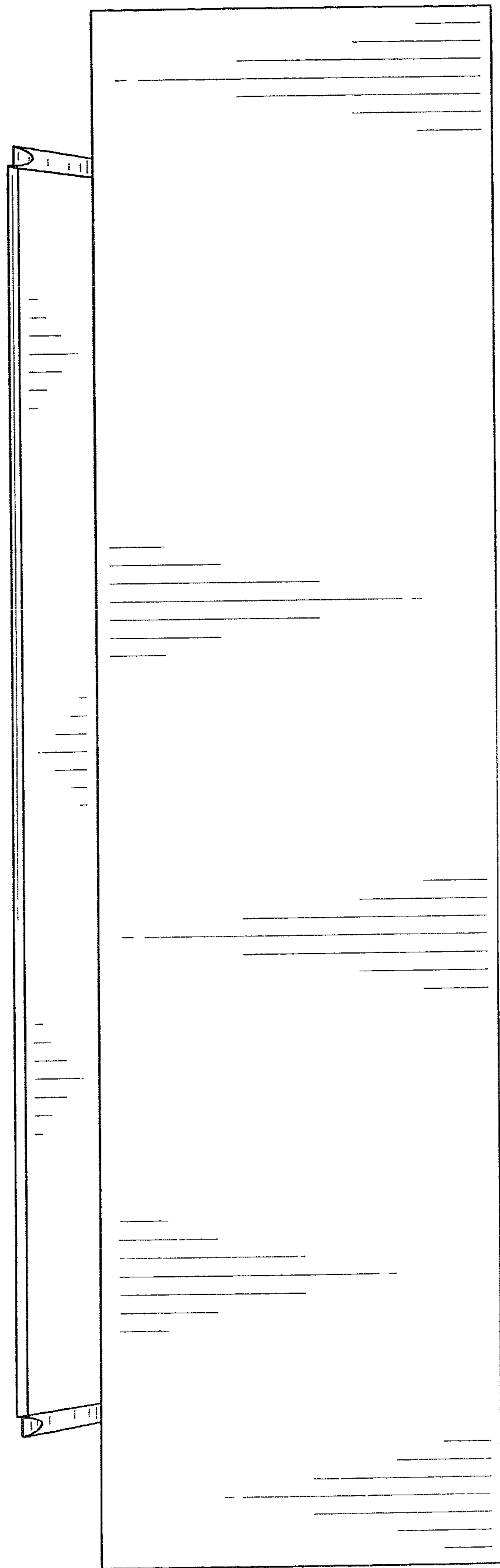


FIG. 5

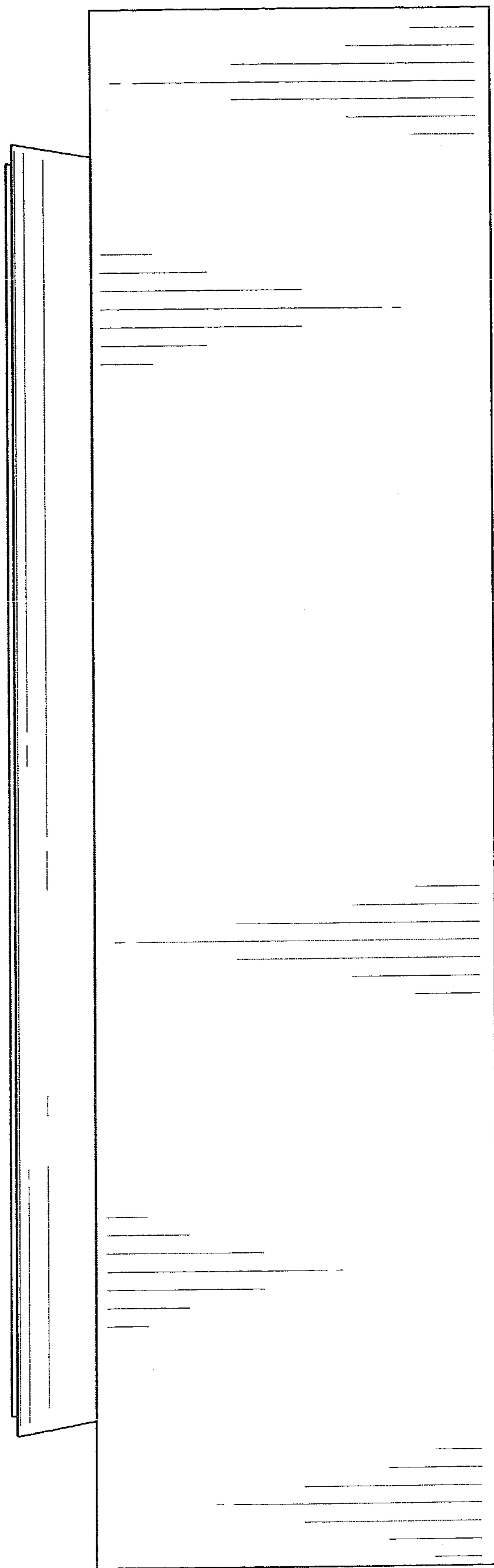


FIG. 6

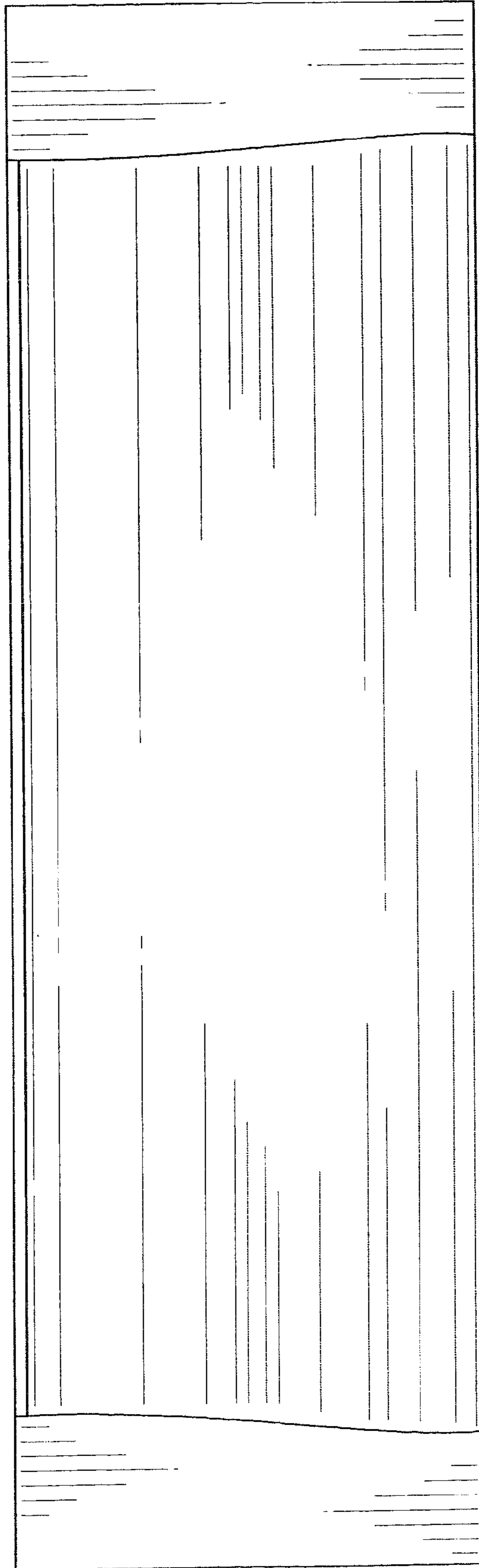


FIG. 7

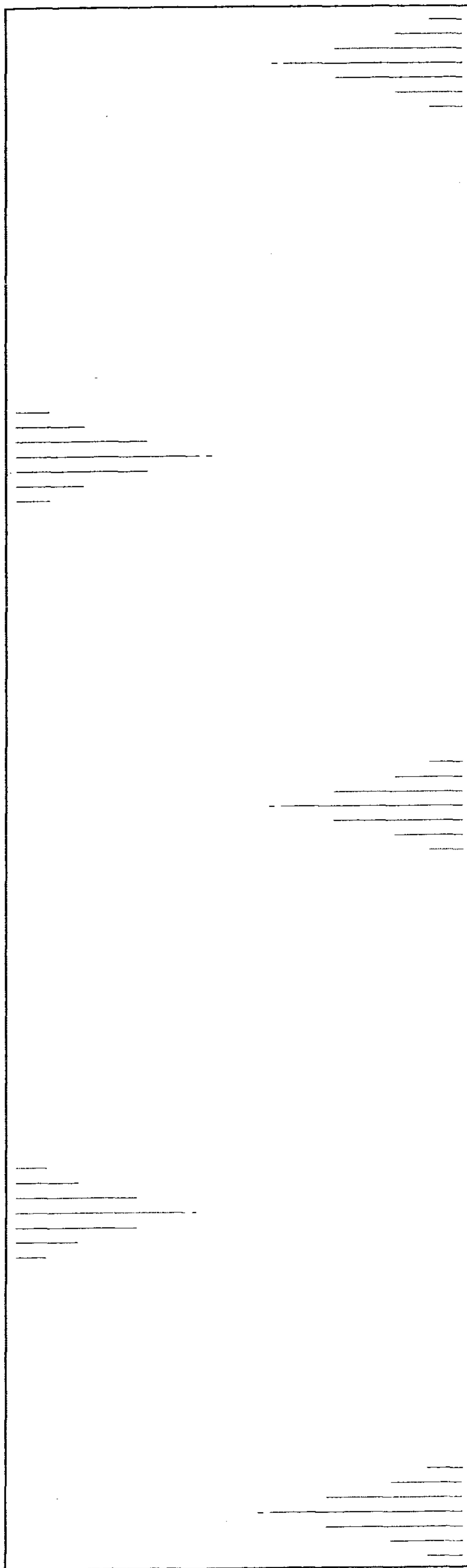


FIG. 8