



US00D636411S

(12) **United States Design Patent**  
**Dimitriadis et al.**

(10) **Patent No.:** **US D636,411 S**

(45) **Date of Patent:** **\*\* Apr. 19, 2011**

(54) **SEWING MACHINE**

(75) Inventors: **Andreas Dimitriadis**, Lorch (DE);  
**David Baur**, Backnang (DE)

(73) Assignee: **BERNINA International AG**,  
Steckborn (CH)

(\*\*) Term: **14 Years**

(21) Appl. No.: **29/368,032**

(22) Filed: **Aug. 17, 2010**

(30) **Foreign Application Priority Data**

Feb. 17, 2010 (CH) ..... 136810

(51) **LOC (9) Cl.** ..... **15-06**

(52) **U.S. Cl.** ..... **D15/70**

(58) **Field of Classification Search** ..... D15/66,  
D15/67, 68, 70; 112/258–261, 475.01  
See application file for complete search history.

(56) **References Cited**

**U.S. PATENT DOCUMENTS**

D359,964 S \* 7/1995 Nakajima et al. .... D15/69  
D450,720 S \* 11/2001 Kuroki ..... D15/69

D557,291 S \* 12/2007 Gustafsson ..... D15/70  
D590,849 S \* 4/2009 Muller et al. .... D15/66  
D591,312 S \* 4/2009 Mori et al. .... D15/70  
D596,206 S \* 7/2009 Yamamoto et al. .... D15/72  
D596,207 S \* 7/2009 Mori et al. .... D15/72

\* cited by examiner

*Primary Examiner* — Shanda C Hill

(74) *Attorney, Agent, or Firm* — Volpe and Koenig, P.C.

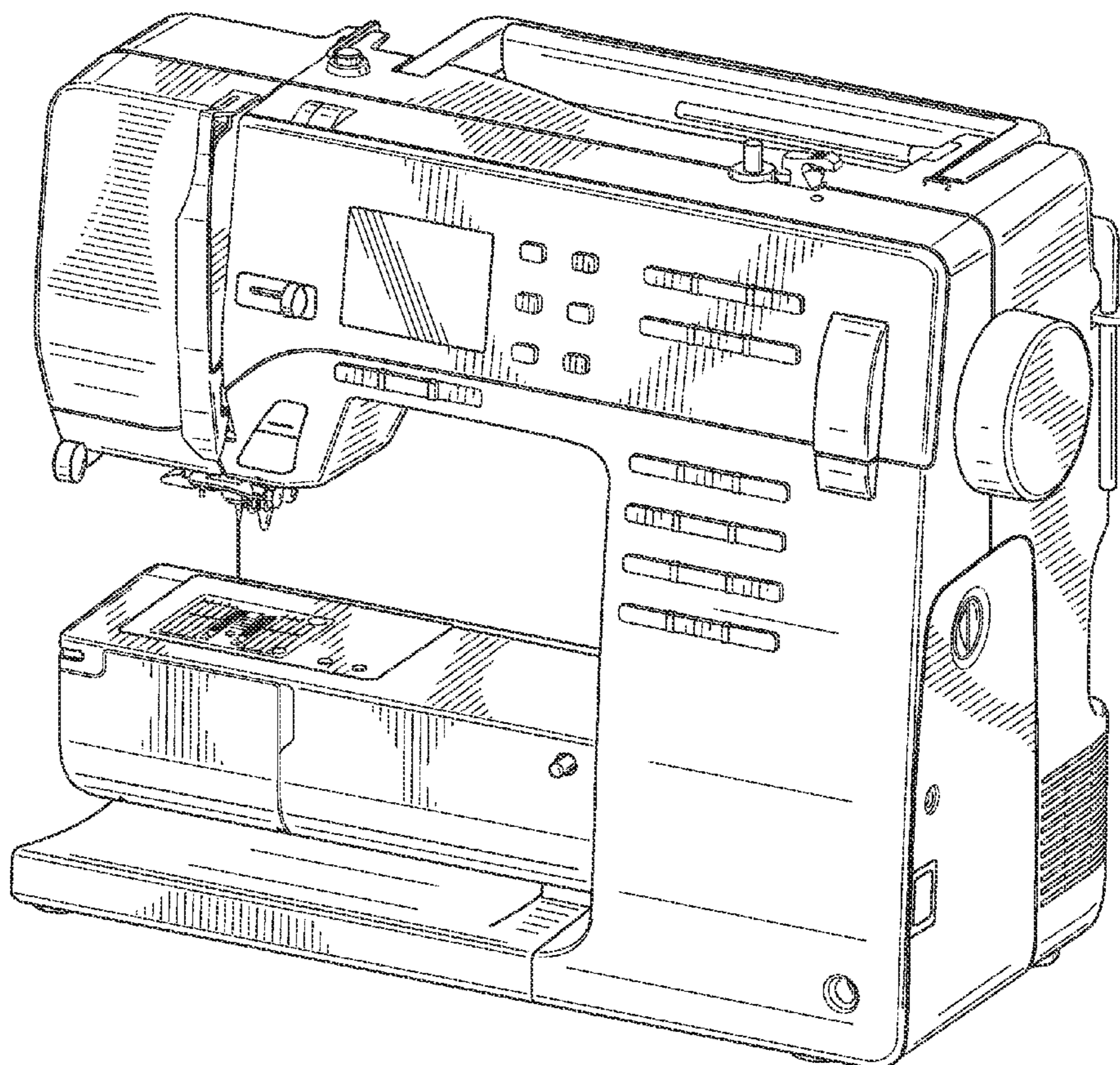
(57) **CLAIM**

The ornamental design for a sewing machine, as shown and described.

**DESCRIPTION**

FIG. 1 is a front, top, right perspective view of a sewing machine in accordance with our design;  
FIG. 2 is a front view thereof;  
FIG. 3 is a top plan view thereof;  
FIG. 4 is a rear view thereof;  
FIG. 5 is a left side elevational view thereof;  
FIG. 6 is right side elevational view thereof; and,  
FIG. 7 is a bottom view thereof.

**1 Claim, 7 Drawing Sheets**



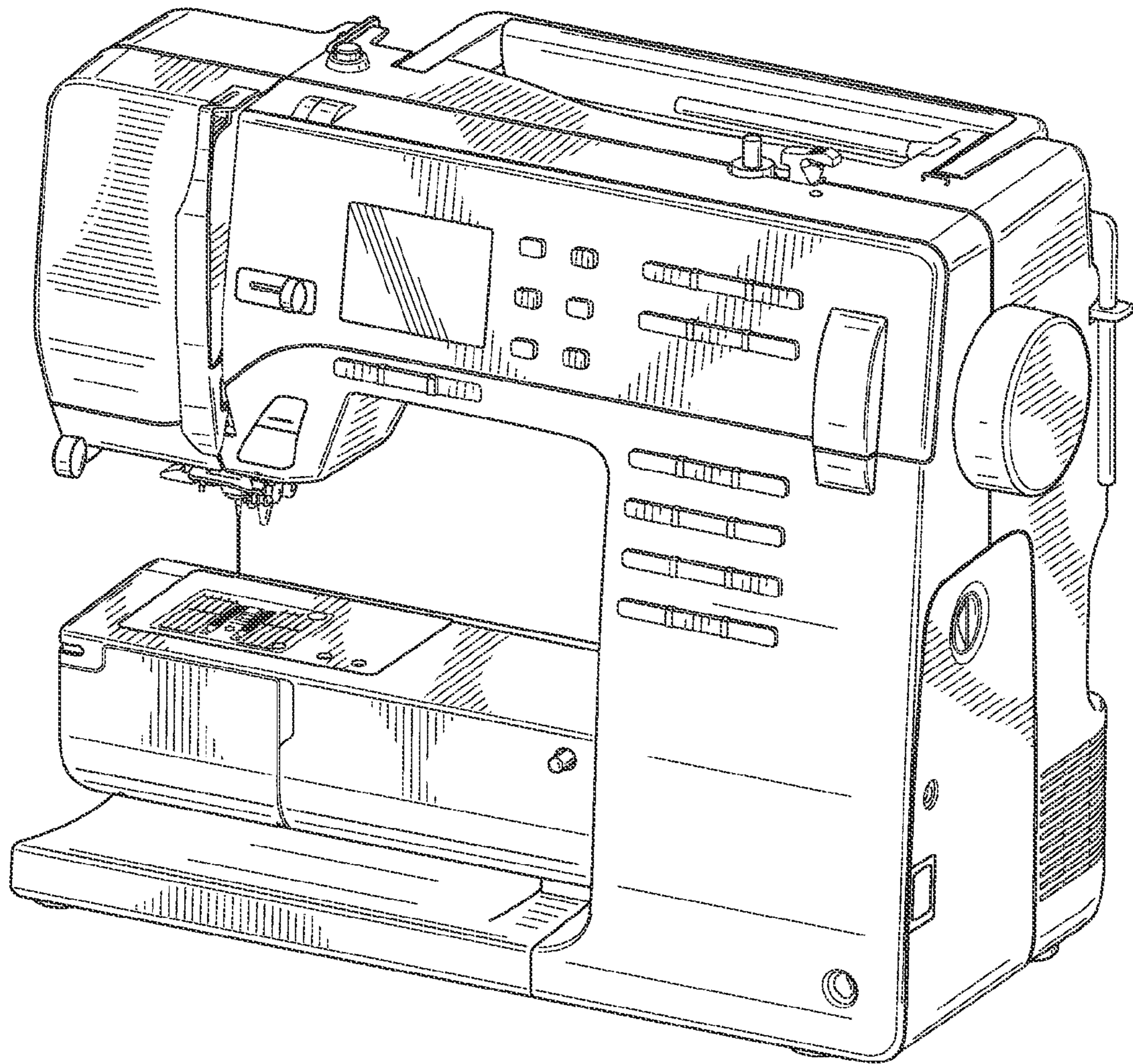


FIG. 1

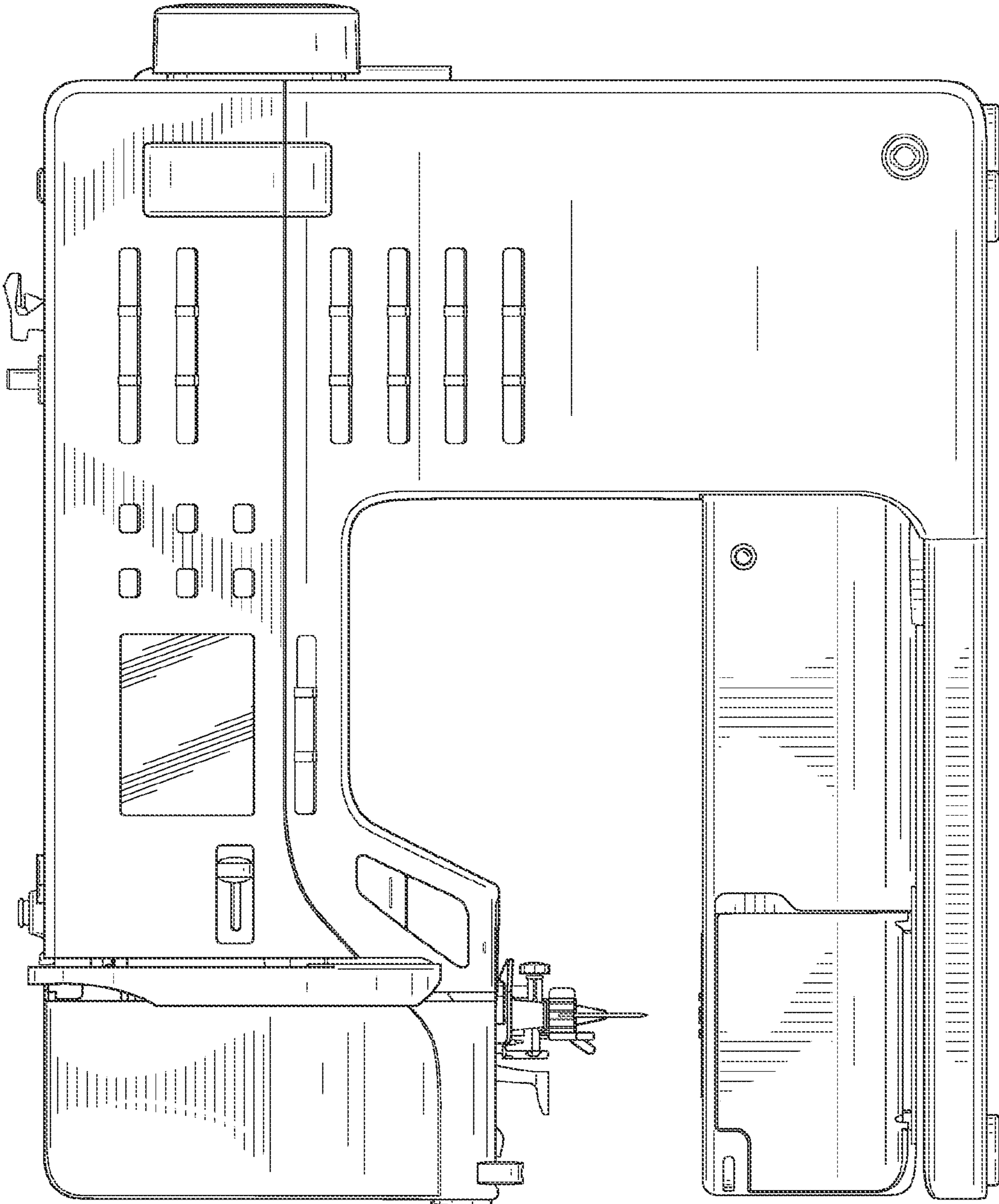


FIG. 2

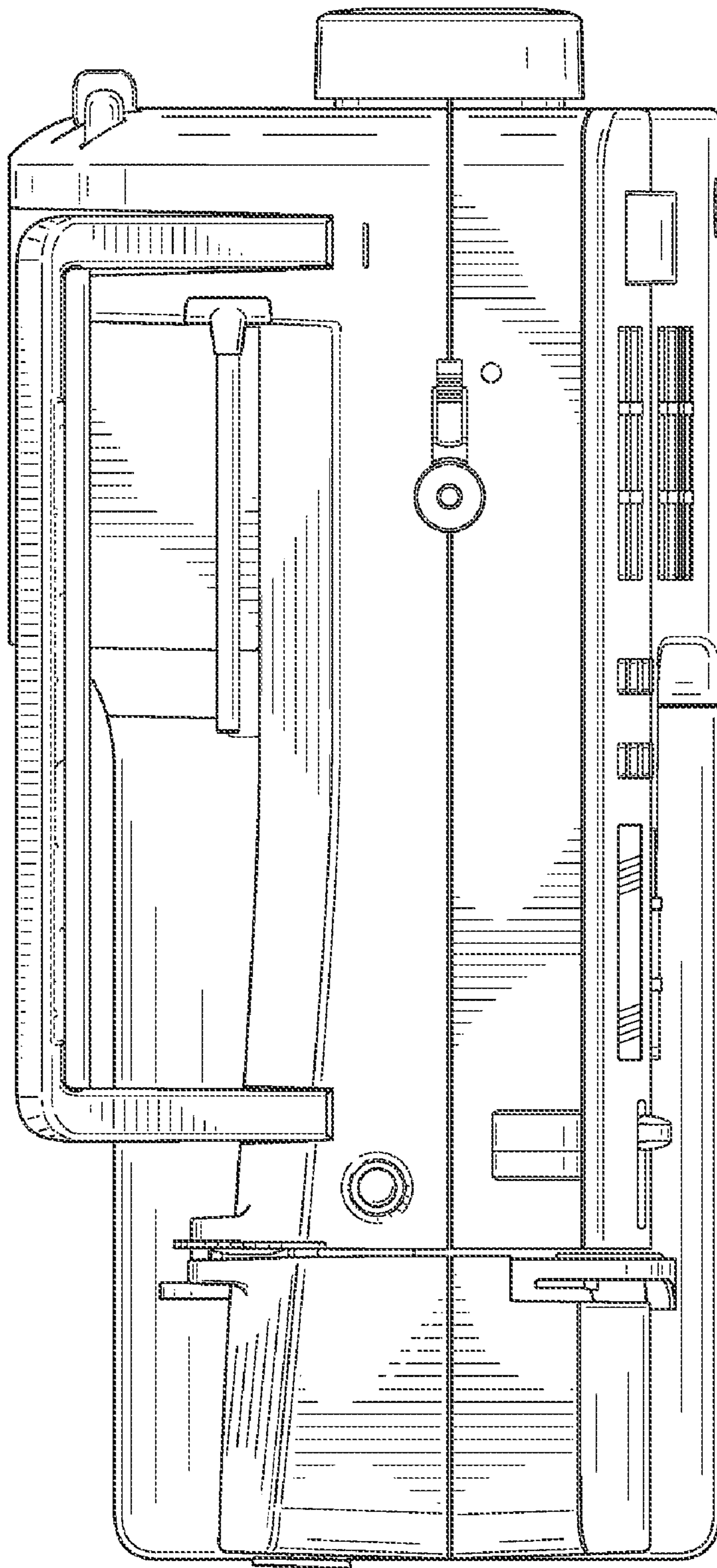


FIG. 3

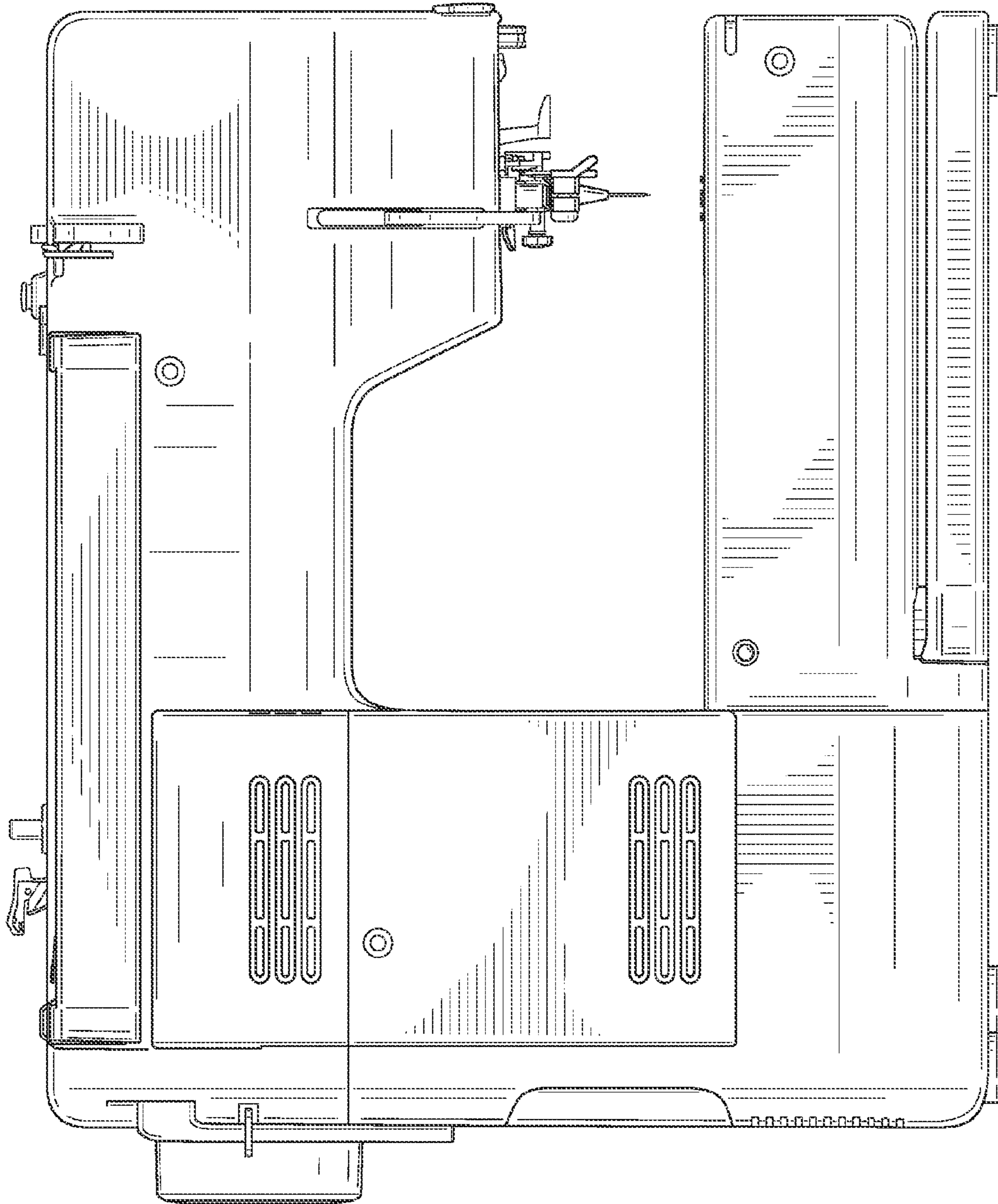


FIG. 4

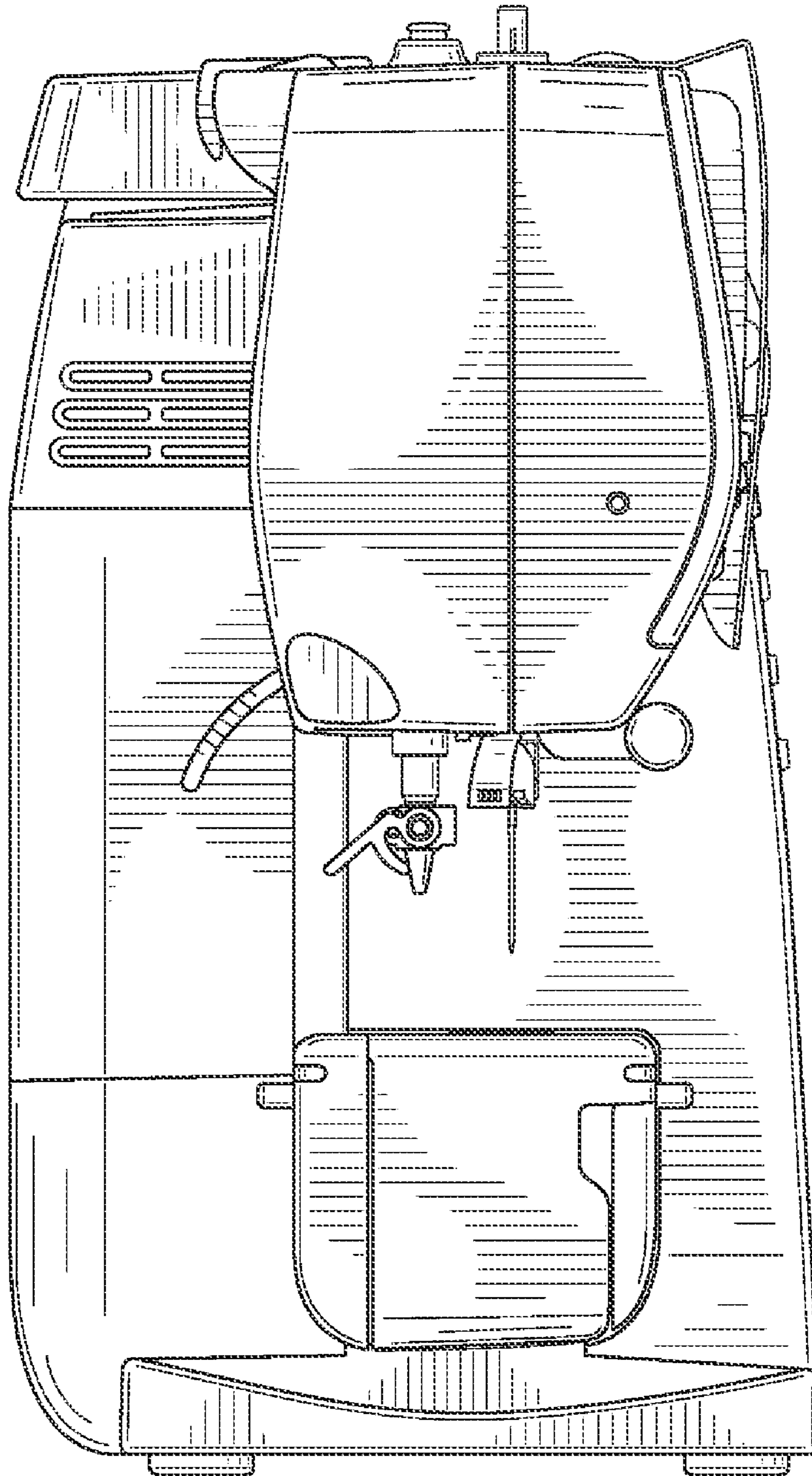


FIG. 5

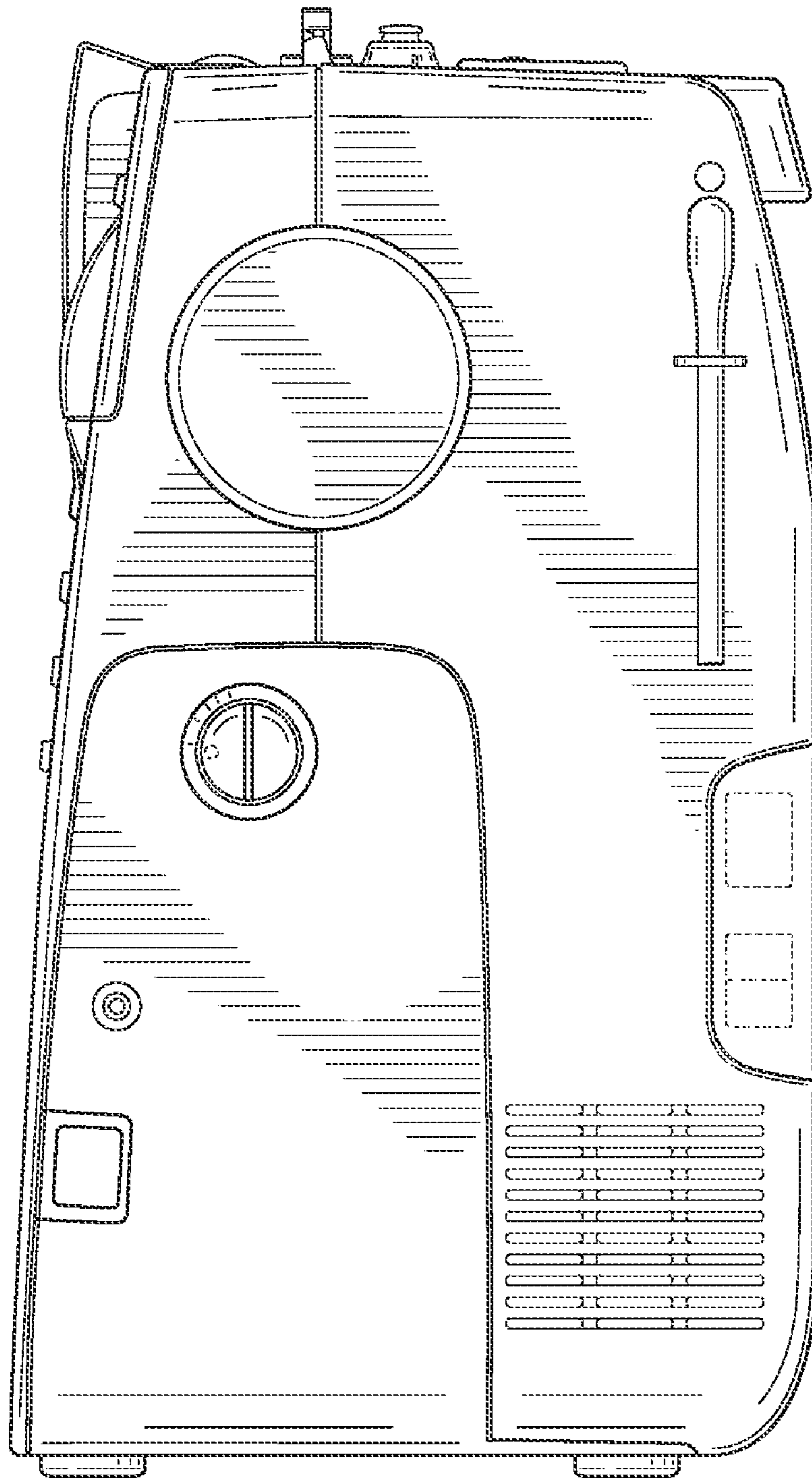


FIG. 6

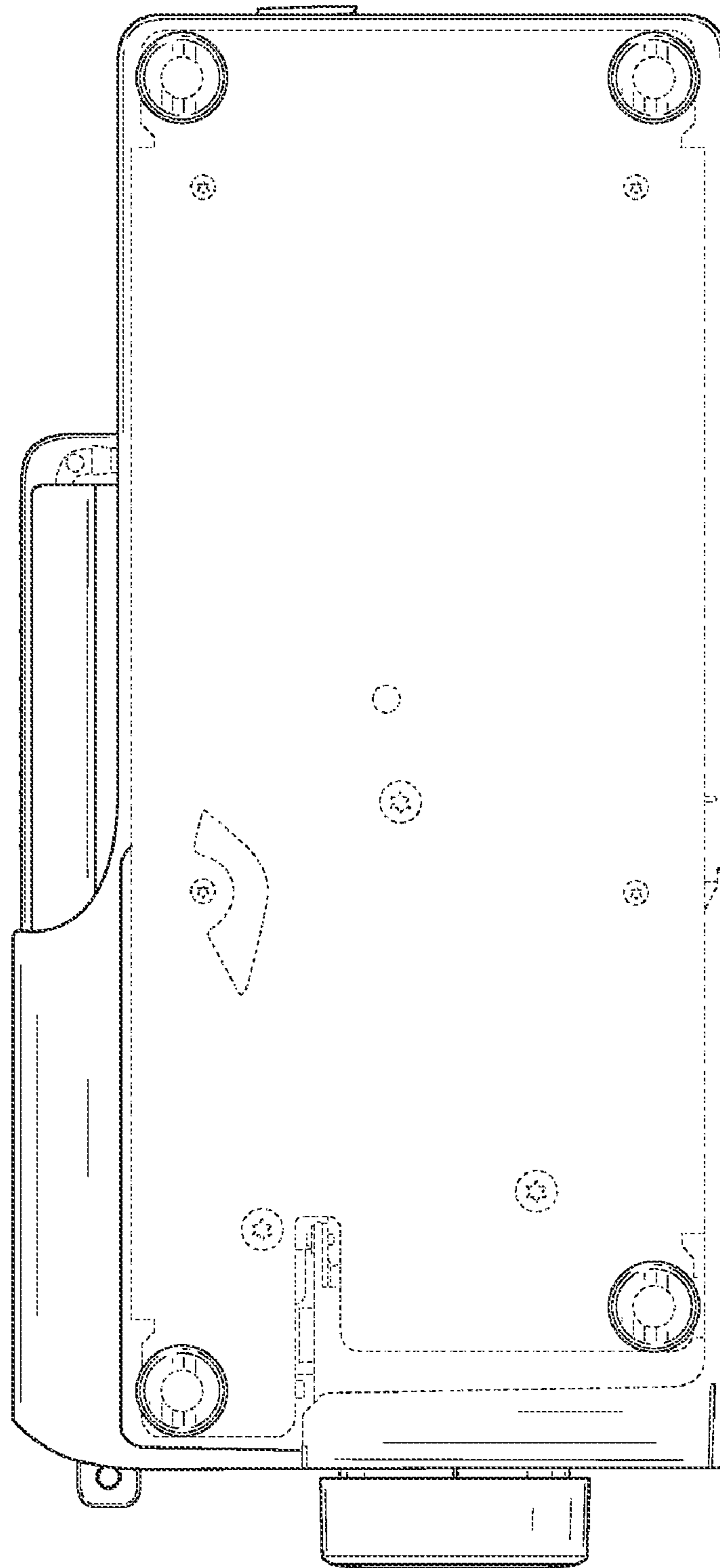


FIG. 7