



US00D636410S

(12) **United States Design Patent**  
**Ono et al.**

(10) **Patent No.:** **US D636,410 S**  
(45) **Date of Patent:** **\*\* Apr. 19, 2011**

(54) **TRIM FOR CONSTRUCTION MACHINE**

(75) Inventors: **Shuichi Ono**, Hiroshima (JP); **Kenta Kojima**, Hiroshima (JP); **Keiji Yamamoto**, Hiroshima (JP); **Hideki Okubo**, Hiroshima (JP)

(73) Assignee: **Kobelco Construction Machinery Co., Ltd.**, Hiroshima (JP)

(\*\*) Term: **14 Years**

(21) Appl. No.: **29/369,001**

(22) Filed: **Sep. 1, 2010**

(30) **Foreign Application Priority Data**

Mar. 5, 2010 (JP) ..... D2010-005381

(51) **LOC (9) Cl.** ..... **15-03**

(52) **U.S. Cl.** ..... **D15/28**

(58) **Field of Classification Search** ..... D15/17,  
D15/22-26, 28, 31, 33; D12/192, 419, 421;  
180/69.2, 69.21, 69.24, 90; 296/70, 30, 72,  
296/191, 192, 193.03

See application file for complete search history.

(56) **References Cited**

**U.S. PATENT DOCUMENTS**

D192,869 S \* 5/1962 Przybylowicz et al. .... D15/17  
3,452,835 A \* 7/1969 Jacobsen et al. .... 180/90  
D308,131 S \* 5/1990 Marcantonio ..... D12/419  
D313,962 S \* 1/1991 Haag et al. .... D12/423  
D326,661 S \* 6/1992 Flenniken et al. .... D15/17

D327,484 S \* 6/1992 Flenniken et al. .... D15/17  
D365,574 S \* 12/1995 Westimayer et al. .... D15/17  
6,039,141 A \* 3/2000 Denny ..... 180/329  
D427,613 S \* 7/2000 Altmann et al. .... D15/28  
D428,022 S \* 7/2000 Altmann et al. .... D15/28  
6,086,142 A \* 7/2000 Simmons et al. .... 296/190.01  
D432,076 S \* 10/2000 Stickle et al. .... D12/419  
D433,425 S \* 11/2000 Surridge et al. .... D15/17  
D441,769 S \* 5/2001 Surridge ..... D15/17  
D471,564 S \* 3/2003 Hohnl et al. .... D15/28  
D484,894 S \* 1/2004 McCord et al. .... D15/28  
D521,413 S \* 5/2006 Katoh ..... D12/1  
D549,739 S \* 8/2007 Stephens ..... D15/28  
7,290,635 B2 \* 11/2007 Bisick et al. .... 180/272  
D593,134 S \* 5/2009 Kuwae et al. .... D15/28

\* cited by examiner

*Primary Examiner* — Mark A Goodwin

(74) *Attorney, Agent, or Firm* — Birch, Stewart, Kolasch & Birch, LLP

(57) **CLAIM**

The ornamental design for a trim for construction machine, as shown and described.

**DESCRIPTION**

FIG. 1 is a perspective view of a trim for construction machine;

FIG. 2 is a front view thereof;

FIG. 3 is a rear view thereof;

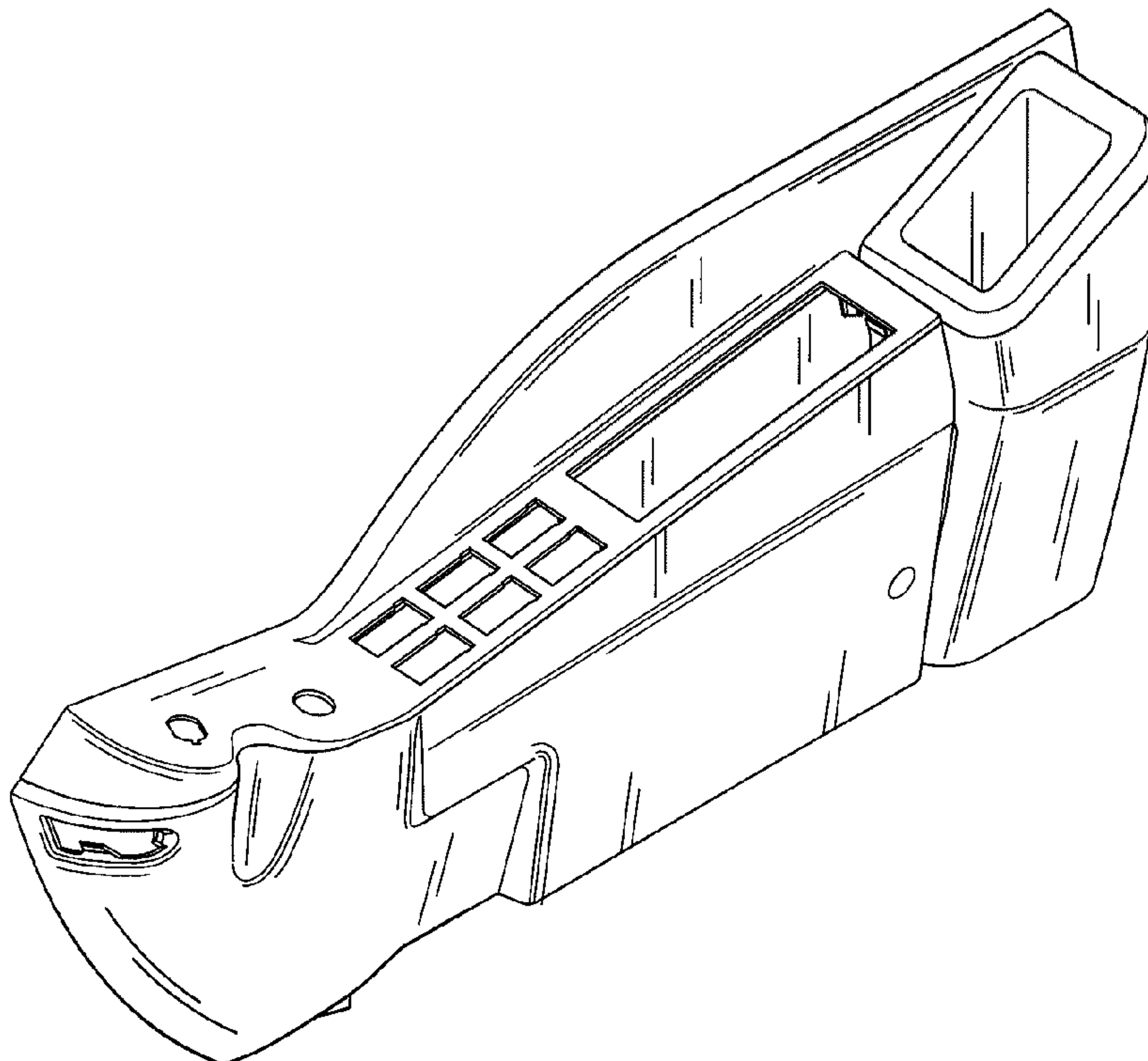
FIG. 4 is a left side view thereof;

FIG. 5 is a right side view thereof;

FIG. 6 is a top view thereof; and,

FIG. 7 is a bottom view thereof.

**1 Claim, 3 Drawing Sheets**



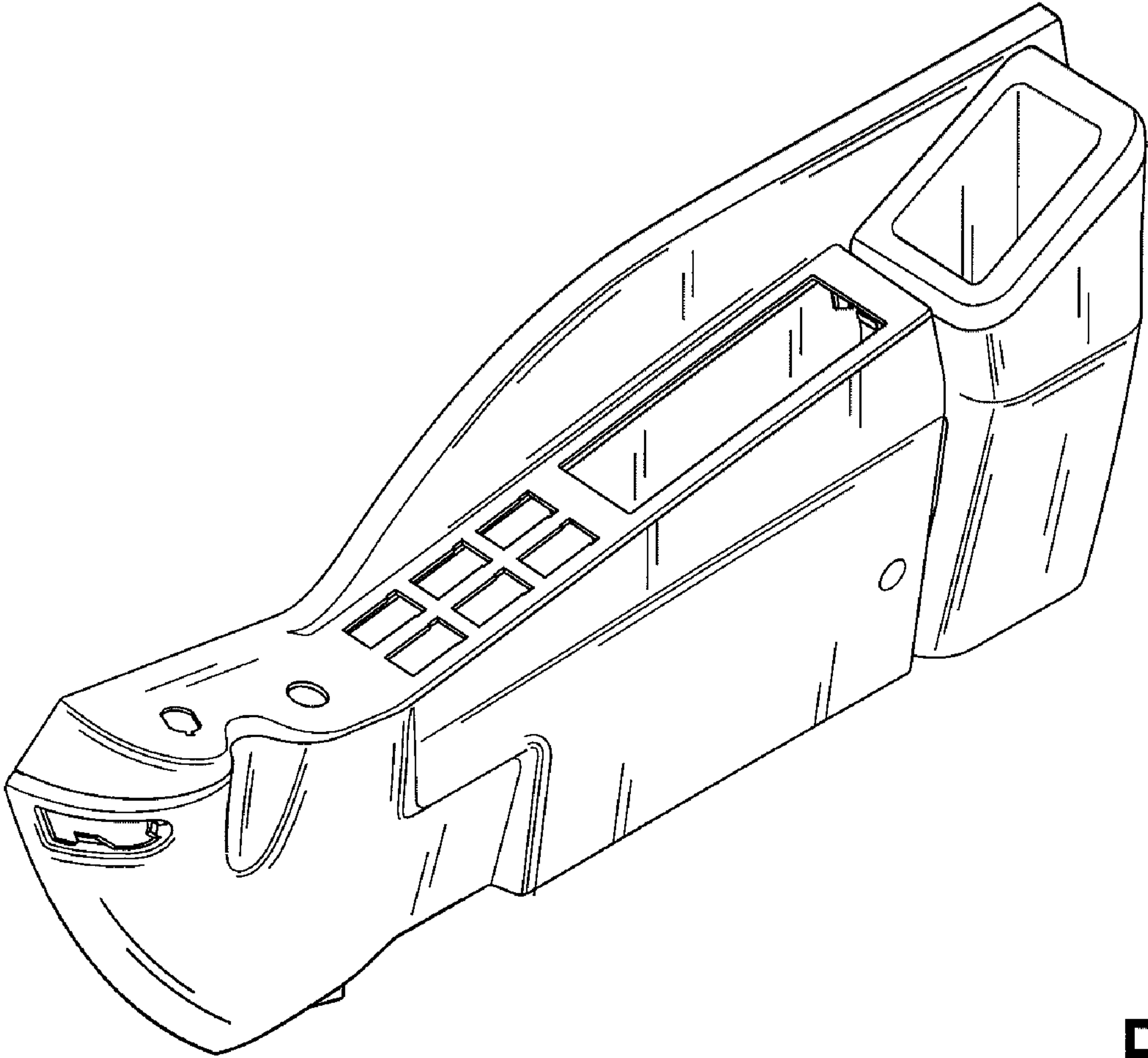


FIG. 1

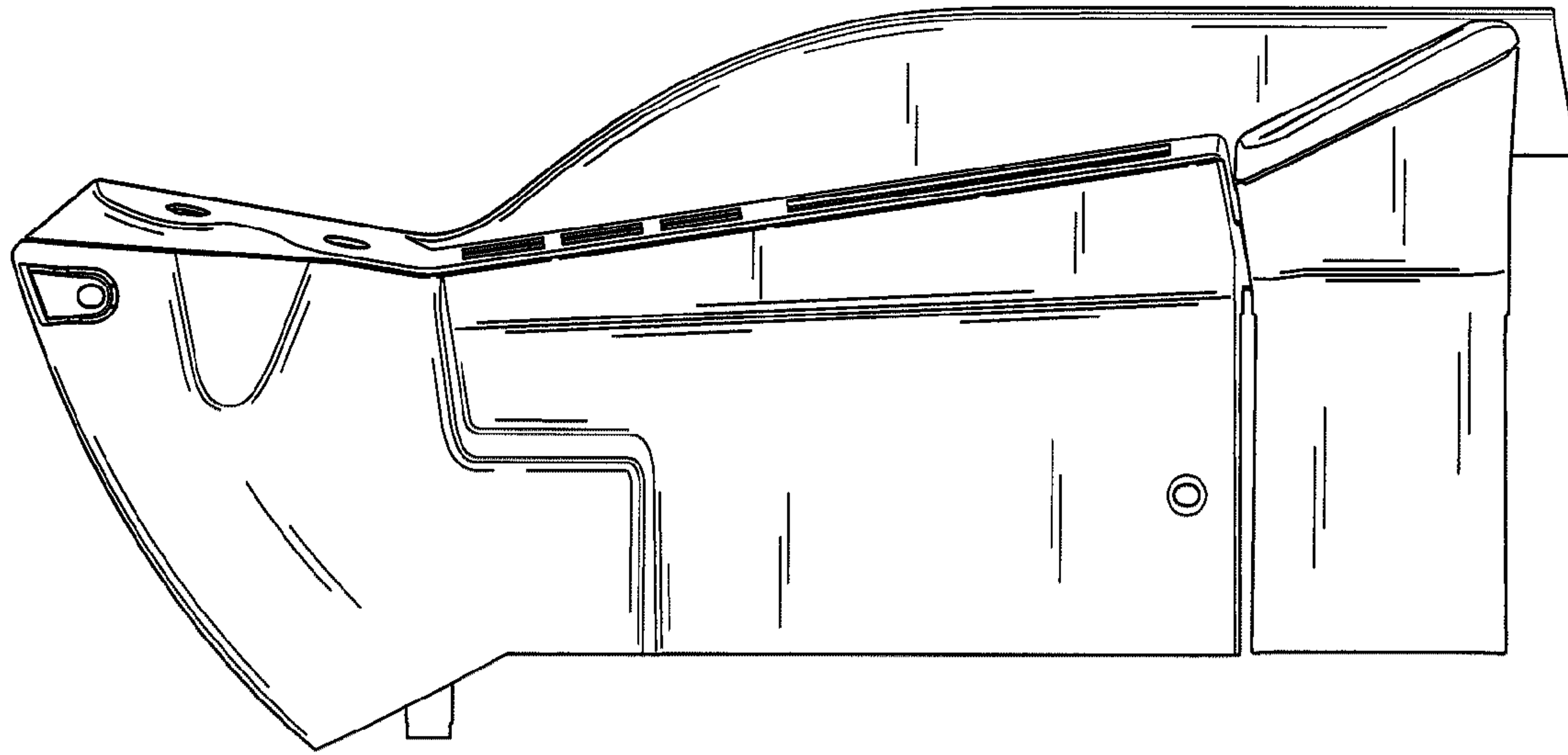


FIG. 2

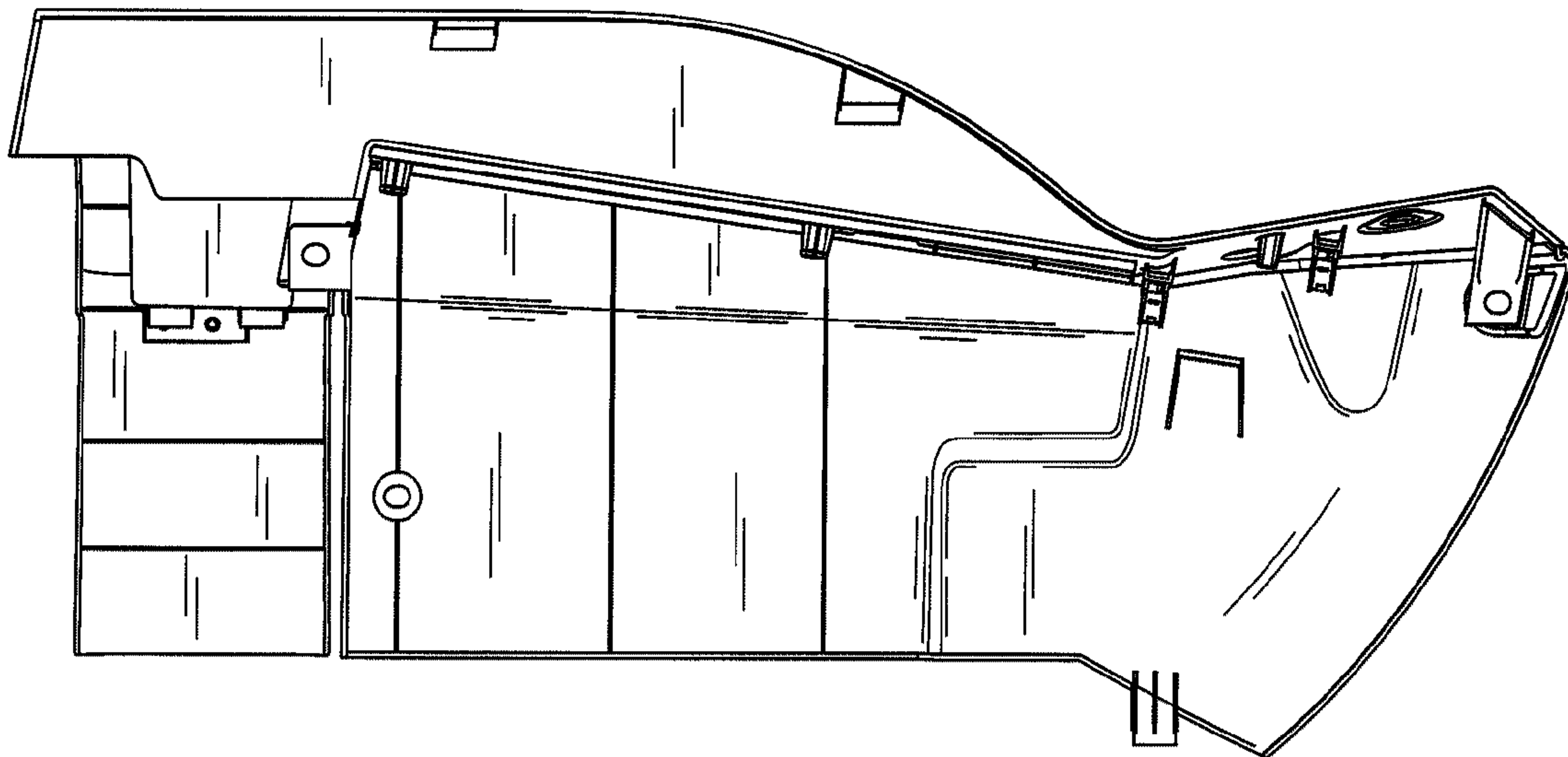


FIG. 3

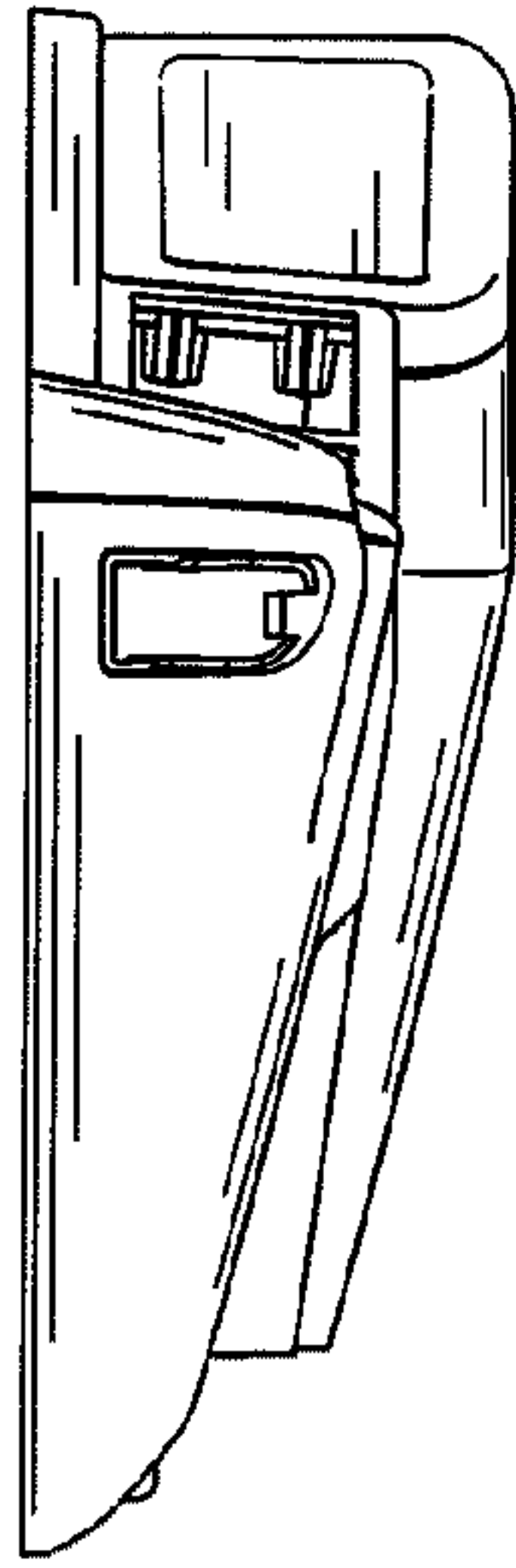


FIG. 4

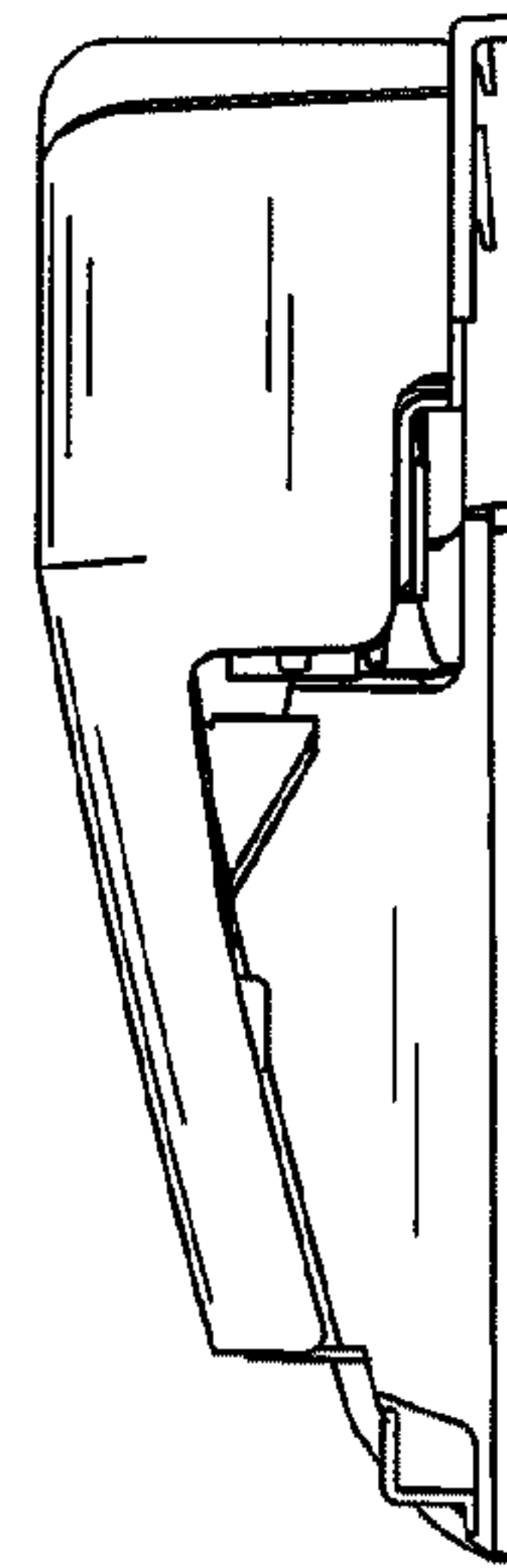


FIG. 5

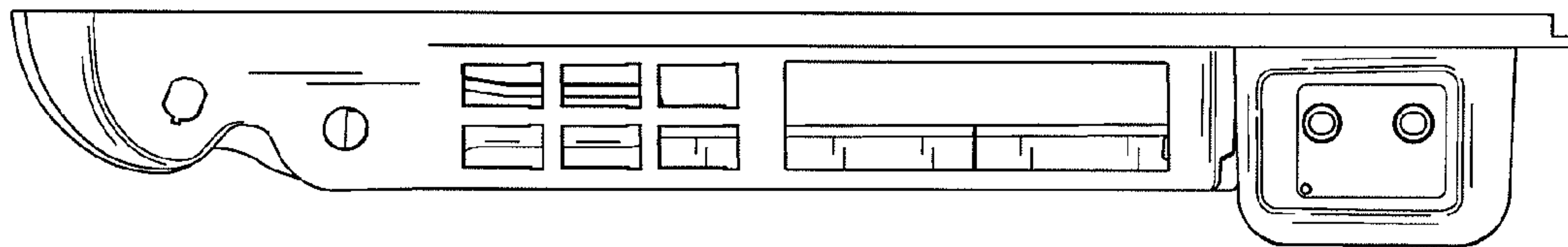


FIG. 6

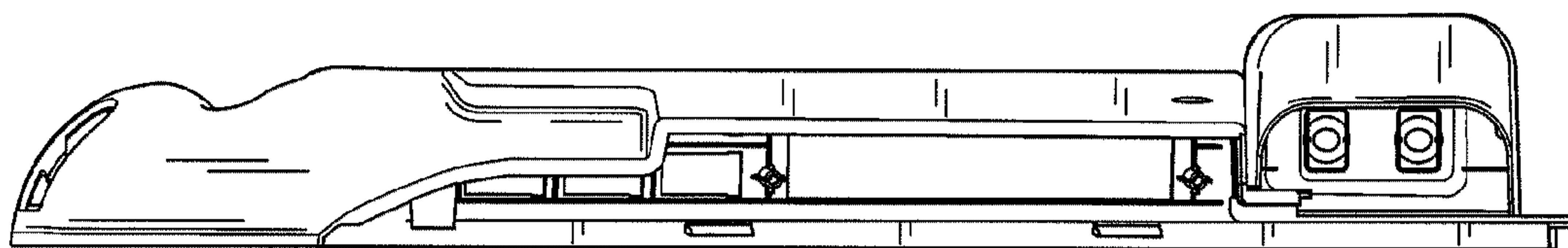


FIG. 7