



US00D636409S

(12) **United States Design Patent**
Wilmes et al.

(10) **Patent No.:** **US D636,409 S**

(45) **Date of Patent:** **** Apr. 19, 2011**

(54) **COMPRESSOR**

(75) Inventors: **Darrin W. Wilmes**, Cincinnati, OH (US); **Berlie E. Parks**, Lawrenceburg, IN (US); **David O. Shumate**, Lawrenceburg, IN (US); **Douglas R. Harper**, Harrison, OH (US)

(73) Assignee: **Campbell Hausfeld/Scott Fetzer Company**, Harrison, OH (US)

(**) Term: **14 Years**

(21) Appl. No.: **29/340,536**

(22) Filed: **Jul. 21, 2009**

(51) **LOC (9) Cl.** **15-02**

(52) **U.S. Cl.** **D15/9**

(58) **Field of Classification Search** D15/7-9;
D23/231, 232, 225; 417/60, 235, 265, 321,
417/355, 358, 363, 359, 410.1, 415-416,
417/405, 900; 60/408, 412; 184/26-37;
415/140-147; 123/495, 509

See application file for complete search history.

(56) **References Cited**

U.S. PATENT DOCUMENTS

D434,048 S * 11/2000 Orschell et al. D15/9
D575,308 S * 8/2008 Plunk et al. D15/9
D579,462 S * 10/2008 Leasure et al. D15/7

D579,463 S * 10/2008 Plunk et al. D15/9
D589,065 S * 3/2009 Leasure et al. D15/9
D589,066 S * 3/2009 Leasure et al. D15/9
D589,535 S * 3/2009 Leasure et al. D15/9
D624,093 S * 9/2010 Lu D15/7

* cited by examiner

Primary Examiner — Ralf Seifert

(74) *Attorney, Agent, or Firm* — Jones Day

(57) **CLAIM**

The ornamental design for a compressor, as shown and described.

DESCRIPTION

FIG. 1 is an upper perspective view of a compressor in accordance with the ornamental design of the present invention.

FIG. 2 is a lower perspective view thereof.

FIG. 3 is front view thereof.

FIG. 4 is rear view thereof.

FIG. 5 is a side view thereof.

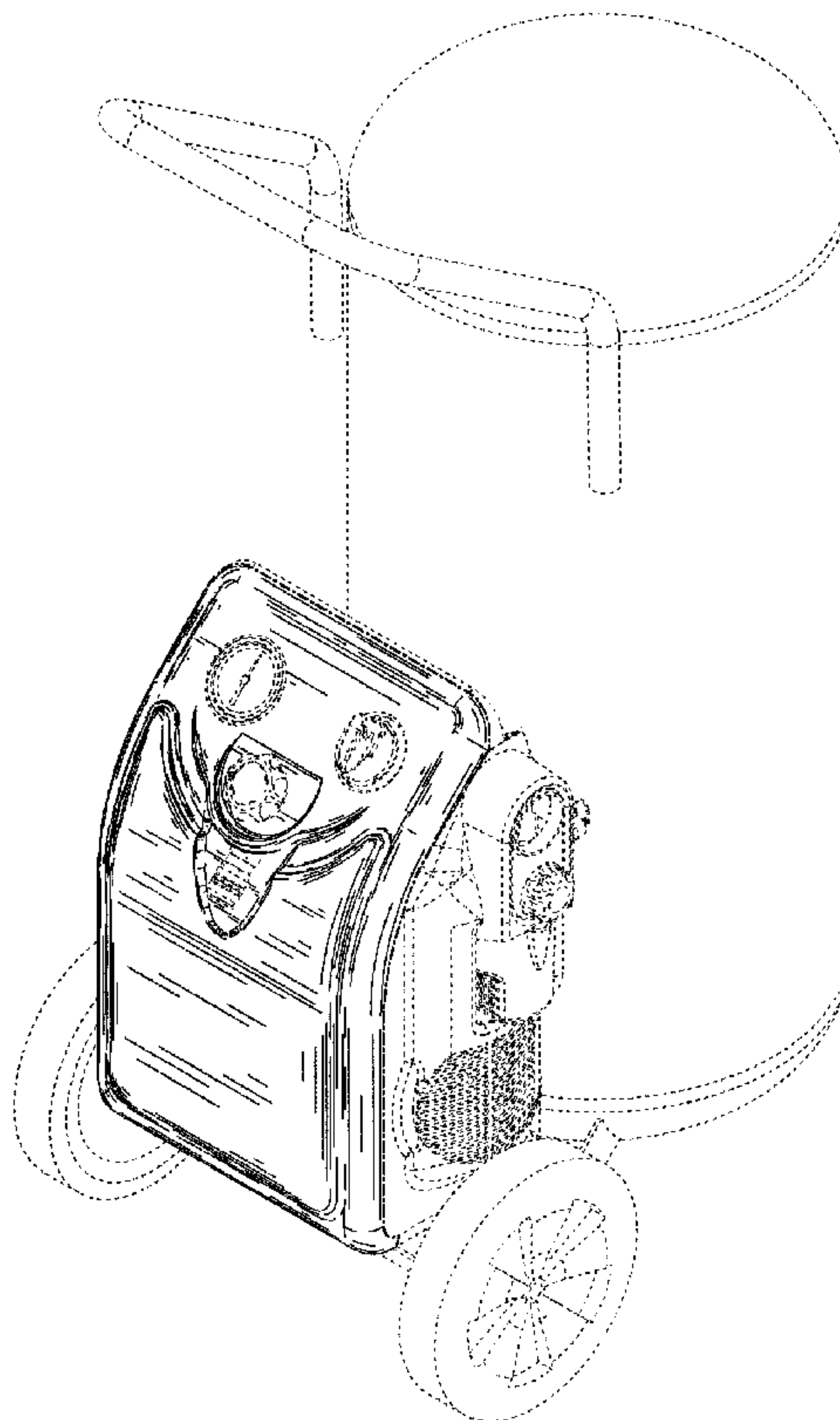
FIG. 6 is an opposite side view thereof.

FIG. 7 is a top view thereof; and,

FIG. 8 is a bottom view thereof.

Broken lines in the figures are for illustrative purposes only and form no part of the claimed design. Specifically, dashed lines define unclaimed features, and dot-dash lines define boundaries of the claimed design.

1 Claim, 7 Drawing Sheets



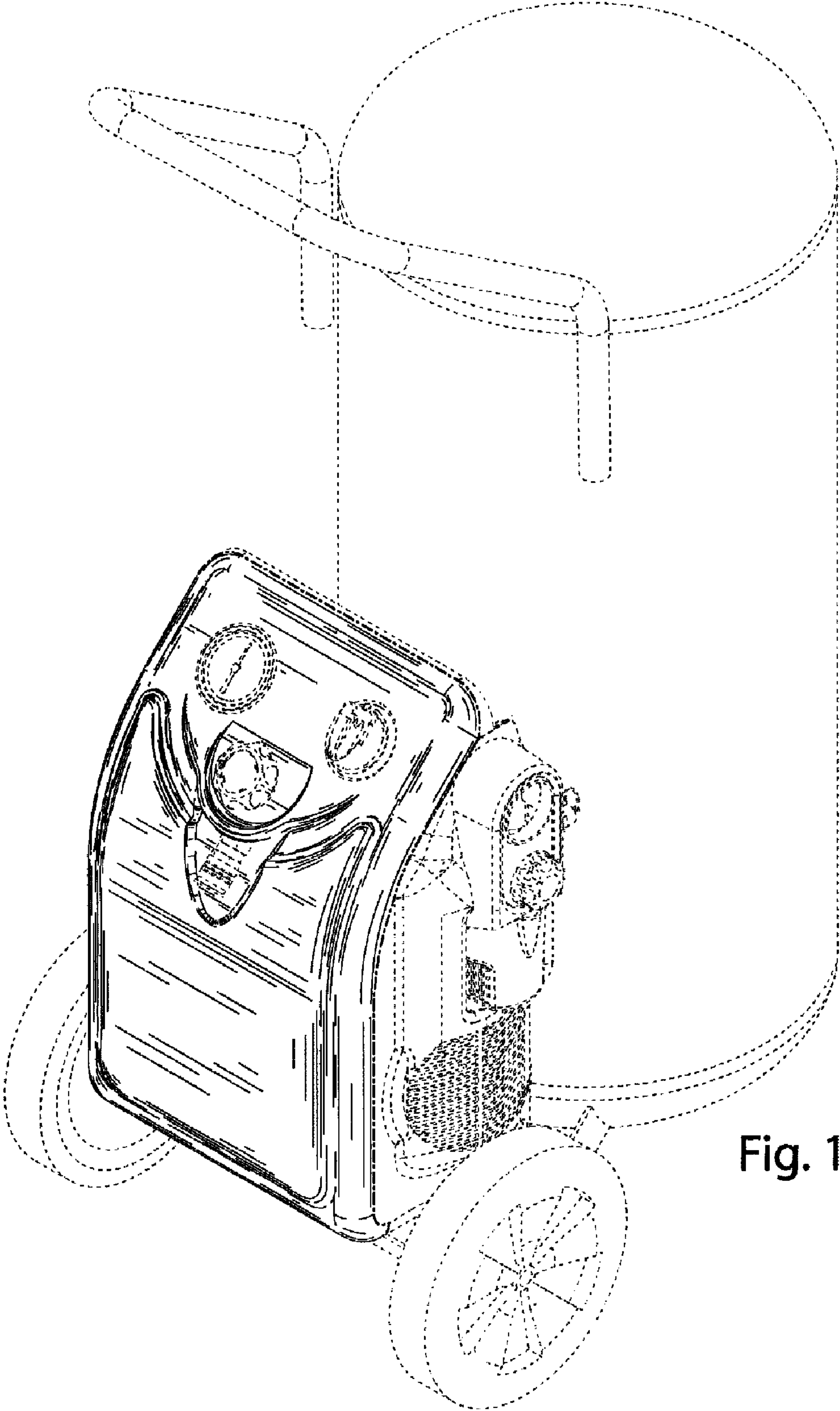


Fig. 1

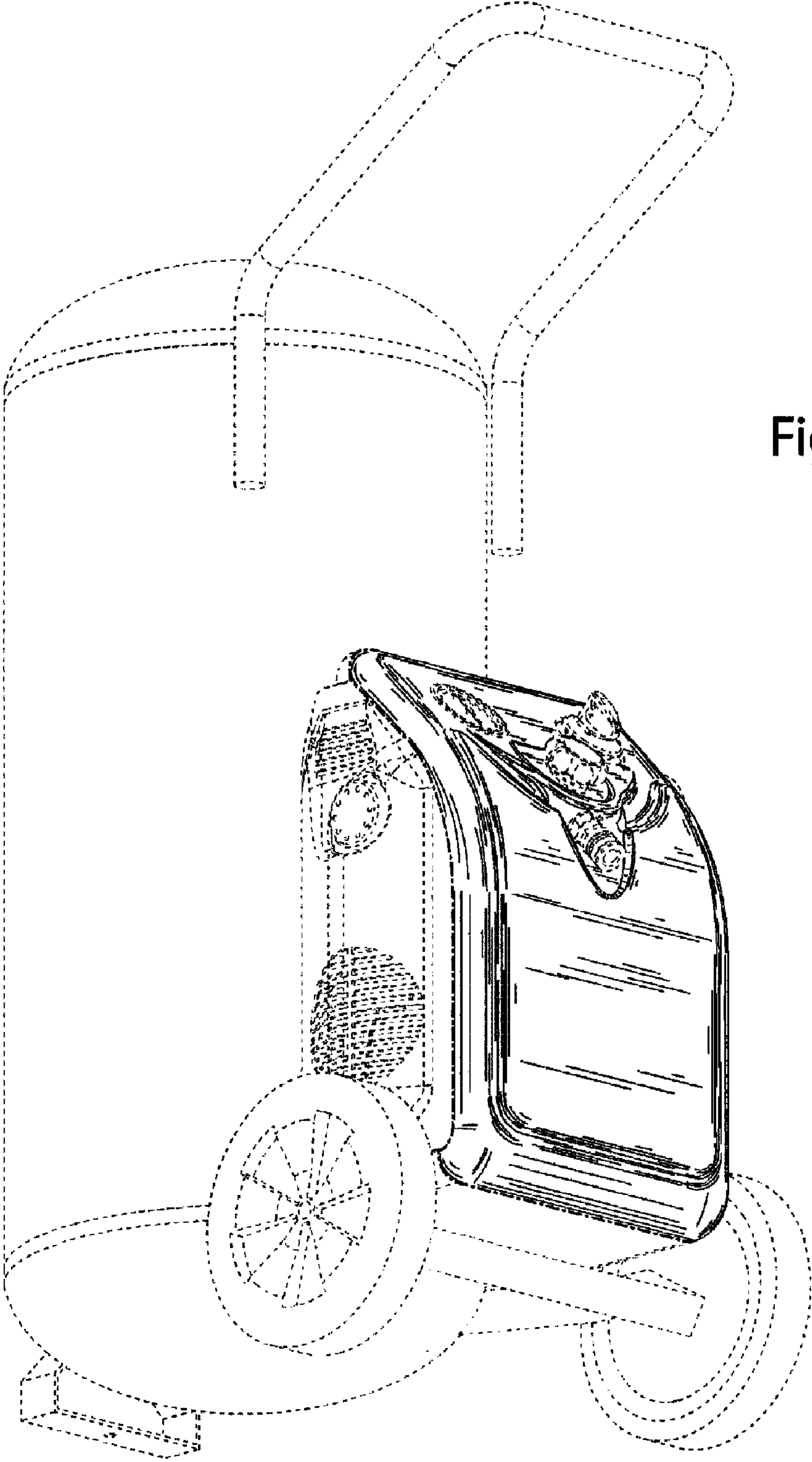


Fig. 2

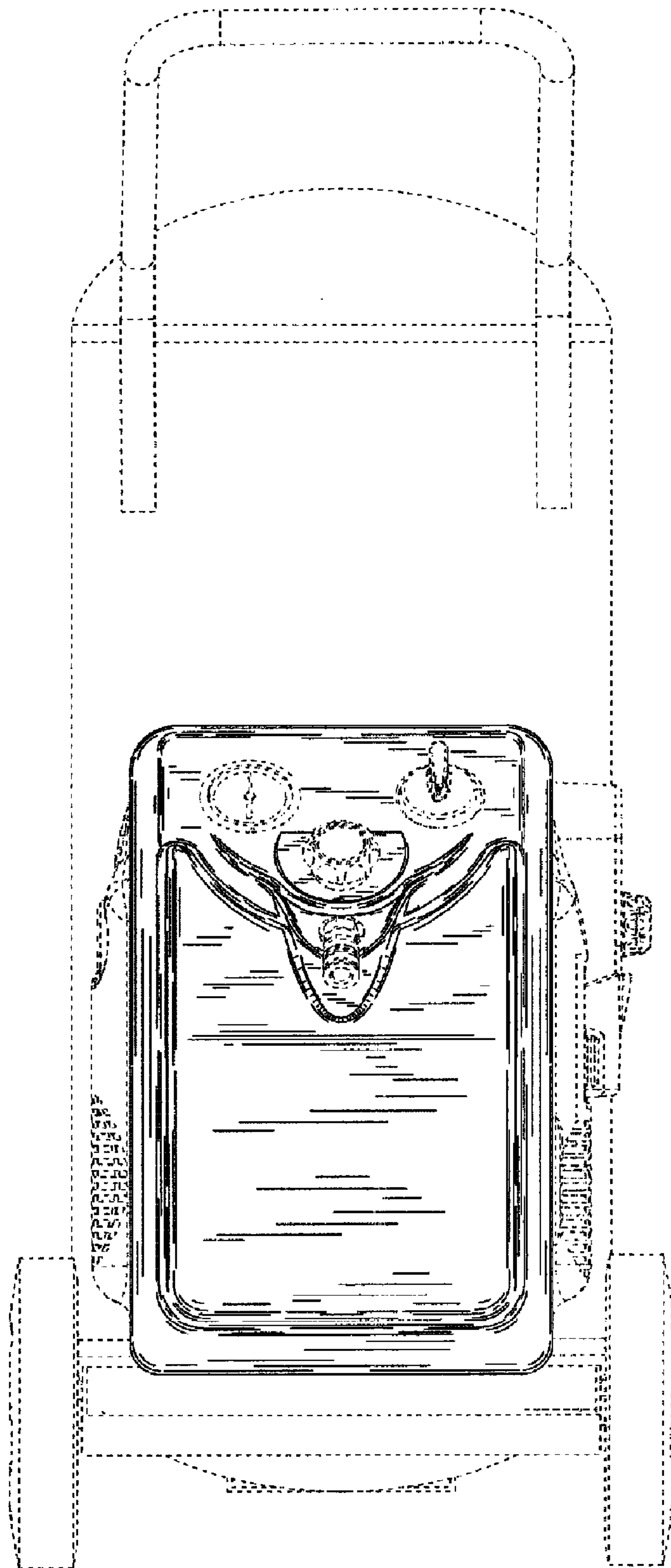


Fig. 3

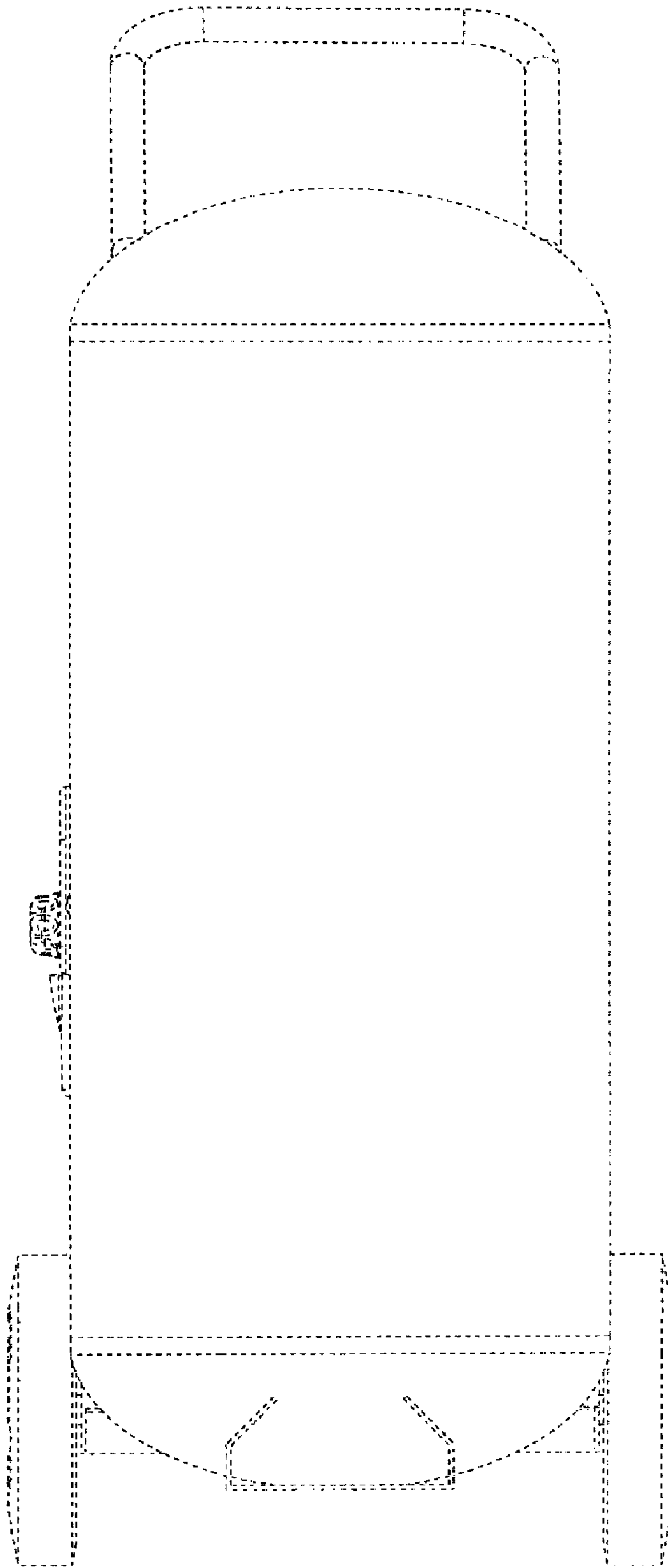


Fig. 4

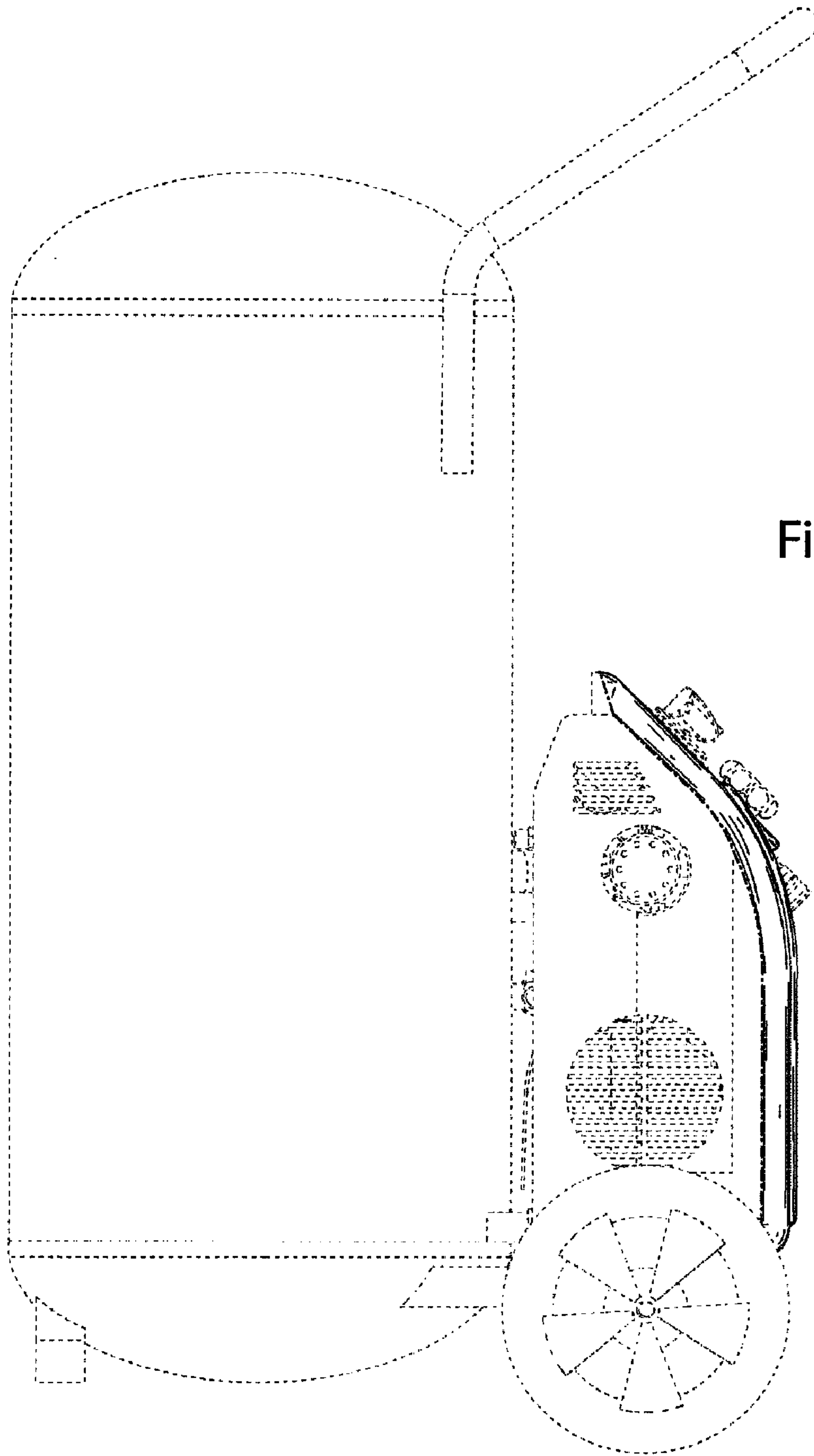


Fig. 5

Fig. 6

