



US00D636397S

(12) **United States Design Patent**  
**Green**

(10) **Patent No.:** **US D636,397 S**

(45) **Date of Patent:** **\*\* Apr. 19, 2011**

(54) **COMPUTER STAND**

(76) Inventor: **Andrew Green**, Mount Pleasant, SC  
(US)

(\*\*) Term: **14 Years**

(21) Appl. No.: **29/382,026**

(22) Filed: **Dec. 28, 2010**

(51) **LOC (9) Cl.** ..... **08-07**

(52) **U.S. Cl.** ..... **D14/447**

(58) **Field of Classification Search** ..... D14/447,  
D14/451, 452, 373, 374, 375, 376, 432, 434,  
D14/439, 448, 457, 126, 127, 129, 203.8,  
D14/217, 224, 224.1, 238.1, 239, 251, 253;  
D8/363, 373, 380; D6/406.1, 406.2, 406.3,  
D6/406.4, 406.5, 406.6, 429, 462; 248/917-924,  
248/441.1, 443, 445, 446, 447, 447.1, 453,  
248/454, 455, 460, 463, 465.1, 472, 131,  
248/150, 155.2, 155.4, 166, 434, 188.6, 346.3,  
248/324; 361/679.02, 679.04, 679.06, 679.07,  
361/679.09, 679.21, 679.26, 679.27, 679.3,  
361/679.55, 379.56; 379/454, 455; 312/223.3  
See application file for complete search history.

(56) **References Cited**

**U.S. PATENT DOCUMENTS**

122,725 A	1/1872	Johnson	
472,192 A	4/1892	Loring	
736,589 A	8/1903	Esbjorn	
816,268 A	3/1906	Steindorf	
856,610 A	6/1907	Steindorf	
1,740,814 A	12/1929	Hunter	
4,512,542 A	4/1985	Black	
5,350,143 A	9/1994	Hoshino	
5,383,634 A	1/1995	Liao	
D357,828 S	5/1995	Liao	
5,664,756 A	9/1997	Liao	
5,713,547 A	2/1998	Yu	
5,957,417 A	9/1999	Yu	
6,113,040 A	9/2000	Yu	
D457,351 S *	5/2002	Zerman et al. ....	D6/462

6,412,742 B1	7/2002	Yu	
D470,149 S *	2/2003	West .....	D14/447
6,533,228 B1	3/2003	Yu	
D495,337 S *	8/2004	Zerman et al. ....	D14/447
D538,554 S	3/2007	Tai	
7,391,606 B2	6/2008	Chen et al.	
D575,293 S	8/2008	Derry et al.	
D577,989 S *	10/2008	Ernst et al. ....	D8/373
7,503,539 B2	3/2009	Knight	
D610,587 S *	2/2010	Bandringa .....	D14/447
7,712,719 B2	5/2010	Derry et al.	
D620,941 S	8/2010	Stacey et al.	
2006/0255229 A1	11/2006	Cheng	
2007/0007423 A1 *	1/2007	Wang .....	248/454

(Continued)

**OTHER PUBLICATIONS**

Sven Rafferty, Cricket Laptop Stand Goes Where Ever You Go Easily, May 29, 2008, <http://svenontech.com/tag/pc/page/2/>, viewed on Feb. 4, 2011.\*

(Continued)

*Primary Examiner* — Angela J Lee  
(74) *Attorney, Agent, or Firm* — Mark Swanson; Bradley Arant Boult Cummings

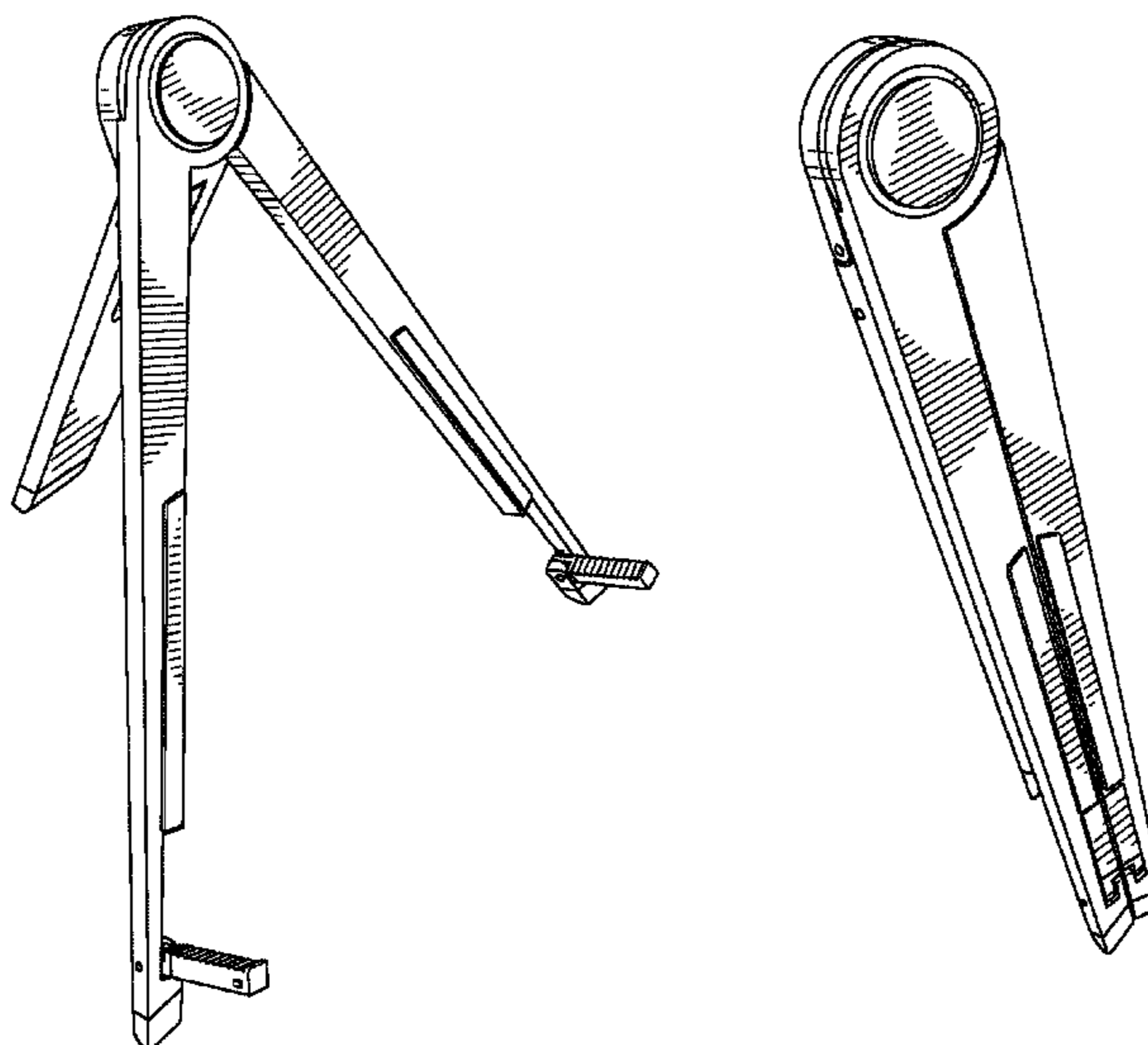
(57) **CLAIM**

The ornamental design for a computer stand, as shown and described.

**DESCRIPTION**

FIG. 1 is a perspective view of a computer stand.  
FIG. 2 is a front elevation view thereof.  
FIG. 3 is a back elevation view thereof.  
FIG. 4 is a left side elevation view thereof.  
FIG. 5 is a right side elevation view thereof.  
FIG. 6 is a top plan view thereof.  
FIG. 7 is bottom plan view thereof; and,  
FIG. 8 is a perspective view of the computer stand when collapsed.

**1 Claim, 8 Drawing Sheets**



U.S. PATENT DOCUMENTS

2008/0224014 A1 9/2008 Piri  
2010/0243850 A1 9/2010 Derry  
2010/0243854 A1\* 9/2010 Logue ..... 248/453

OTHER PUBLICATIONS

“The Easel for iPad,” [online], (retrieved Dec. 27, 2010), Retrieved The Easel for iPad website, using Internet <URL: <http://www.easelforipad.com/#2>>.

“Arkon Portable Fold-Up Stand for Apple iPad, Galaxy Tab, BlackBerry Play Book,” [online], (retrieved Dec. 27, 2010), Retrieved from Amazon.com website, using Internet <URL: [http://www.amazon.com/Arkon-Portable-Fold-Up-Galaxy-BlackBerry/dp/B000CKVOOY/ref=sr\\_1\\_5?ie=UTF8&cid=1292767774&sr=8-5](http://www.amazon.com/Arkon-Portable-Fold-Up-Galaxy-BlackBerry/dp/B000CKVOOY/ref=sr_1_5?ie=UTF8&cid=1292767774&sr=8-5)>.

“Kickstand Stand Adjustable Handheld Electronics Holder for Apple Ipad, Iphone and other laptop computer below 12" (white),” [online], (retrieved Dec. 27, 2010), Retrieved from Amazon.com website,

using Internet <URL: [http://www.amazon.com/Kickstand-Adjustable-Handheld-Electronics-computer/dp/B003KGZTKW/ref=sr\\_1\\_12?ie=UTF8&qid=1292767774&sr=8-12](http://www.amazon.com/Kickstand-Adjustable-Handheld-Electronics-computer/dp/B003KGZTKW/ref=sr_1_12?ie=UTF8&qid=1292767774&sr=8-12)>.

“iGobee Universal Portable Stand with Cloth CarryCase \* ipad stand, netbook stand, Kindle stand, laptop stand (macbook pro, lenovo, Dell, Acer, Asus etc) Original stand with real aluminium alloy metal reinforced leg design. \*\* Legs extend to support larger devices \*\*,” [online], (retrieved Dec. 27, 2010), Retrieved from Amazon.com website, using Internet <URL: [http://www.amazon.com/Universal-Portable-Carry-Case-aluminium-reinforced/dp/B003ZJX751/ref=sr\\_1\\_26?ie=UTF8&qid=1292767989&sr=8-26](http://www.amazon.com/Universal-Portable-Carry-Case-aluminium-reinforced/dp/B003ZJX751/ref=sr_1_26?ie=UTF8&qid=1292767989&sr=8-26)>.

“Best iPad stand: what are my options for iPad stands?,” [online], (retrieved Dec. 27, 2010), Retrieved from All Touch Tablet website, using Internet <URL: <http://www.alltouchtablet.com/ipad/best-ipad-stand-2968/>>.

“iPad stands—TUAW,” [online], (retrieved Dec. 27, 2010), Retrieved from The Unofficial Apple Weblog website, using Internet <URL: <http://www.tuaw.com/photos/ipad-stands/#2904302>>.

\* cited by examiner

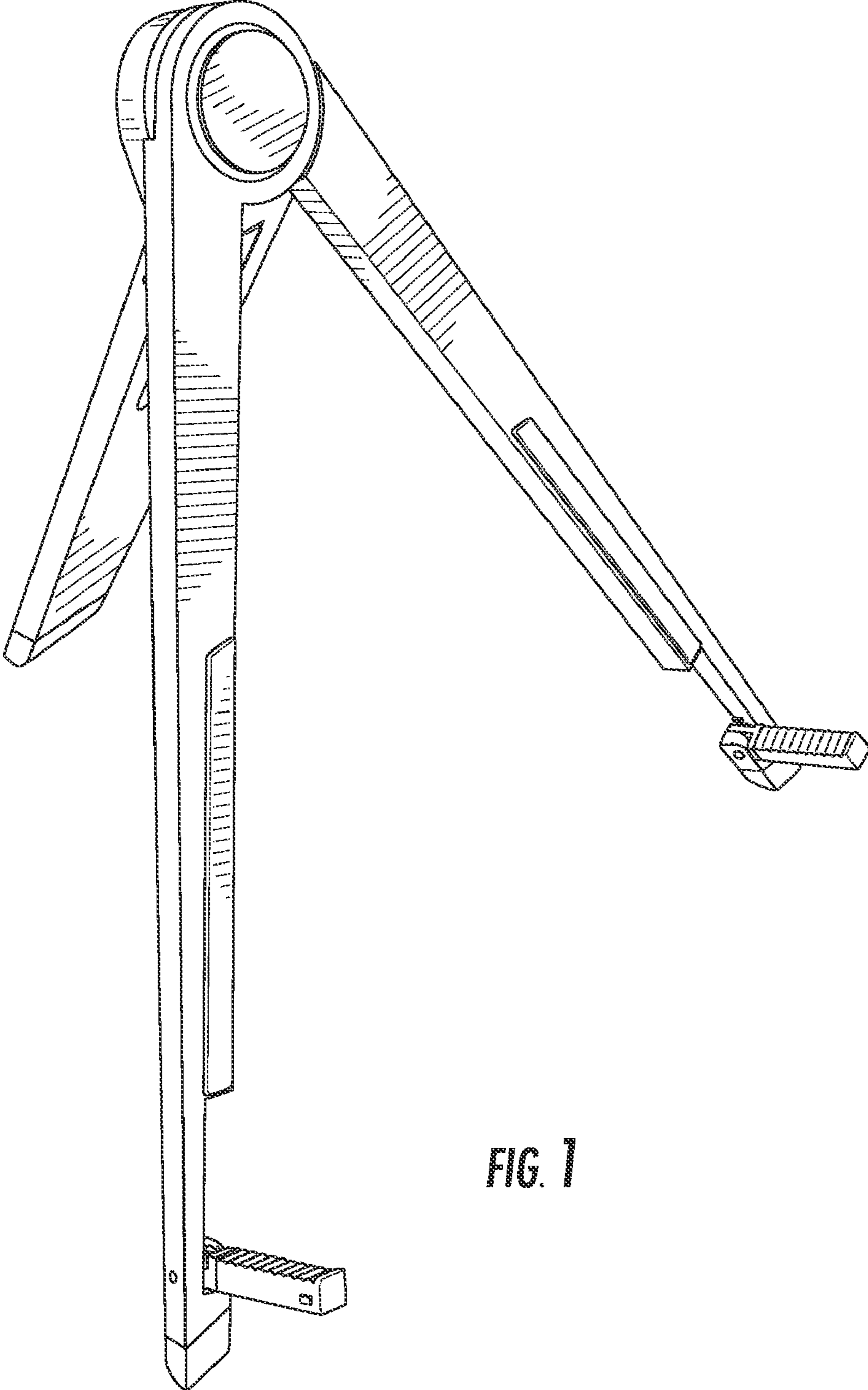


FIG. 1

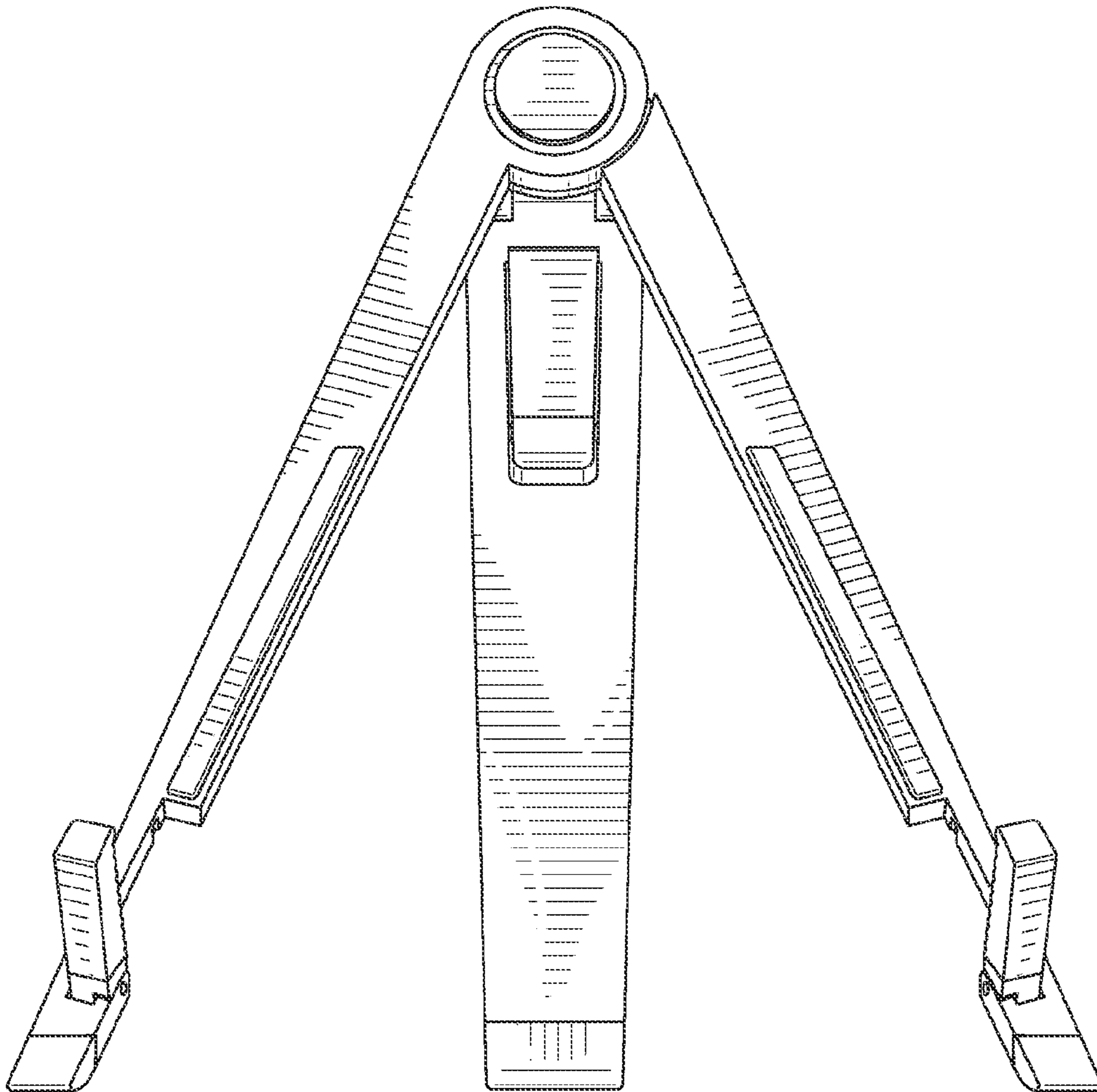


FIG. 2



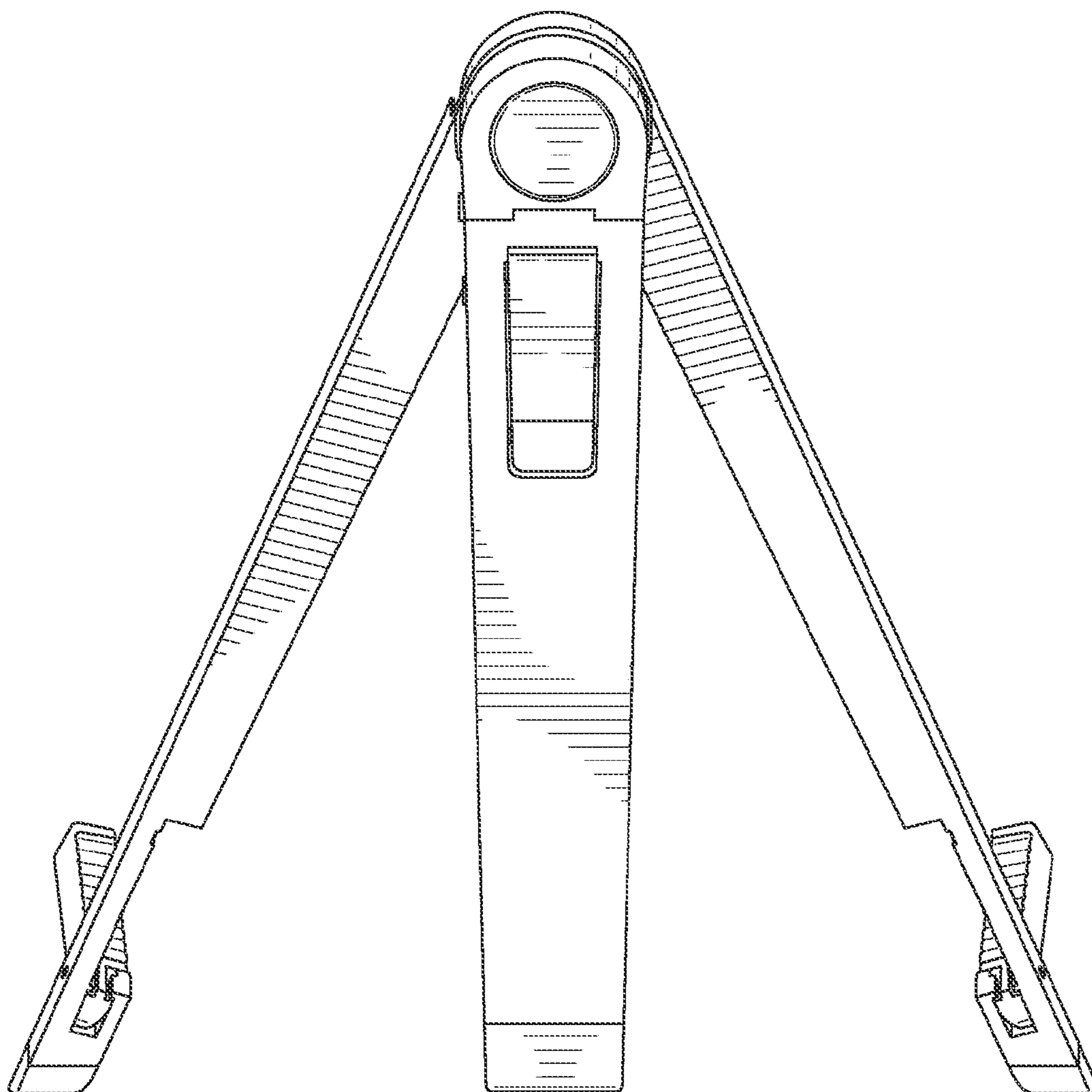


FIG. 3

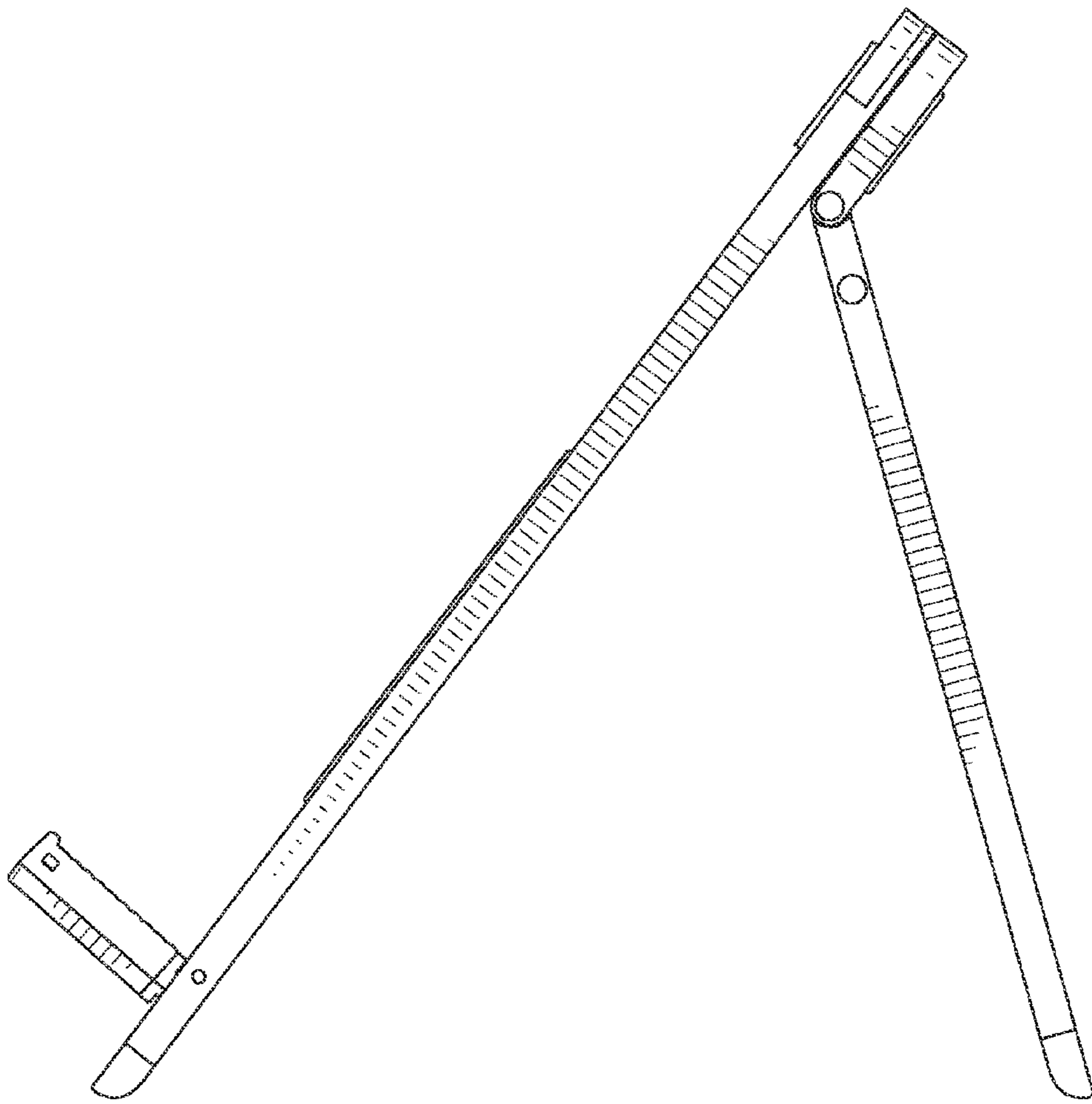


FIG. 4

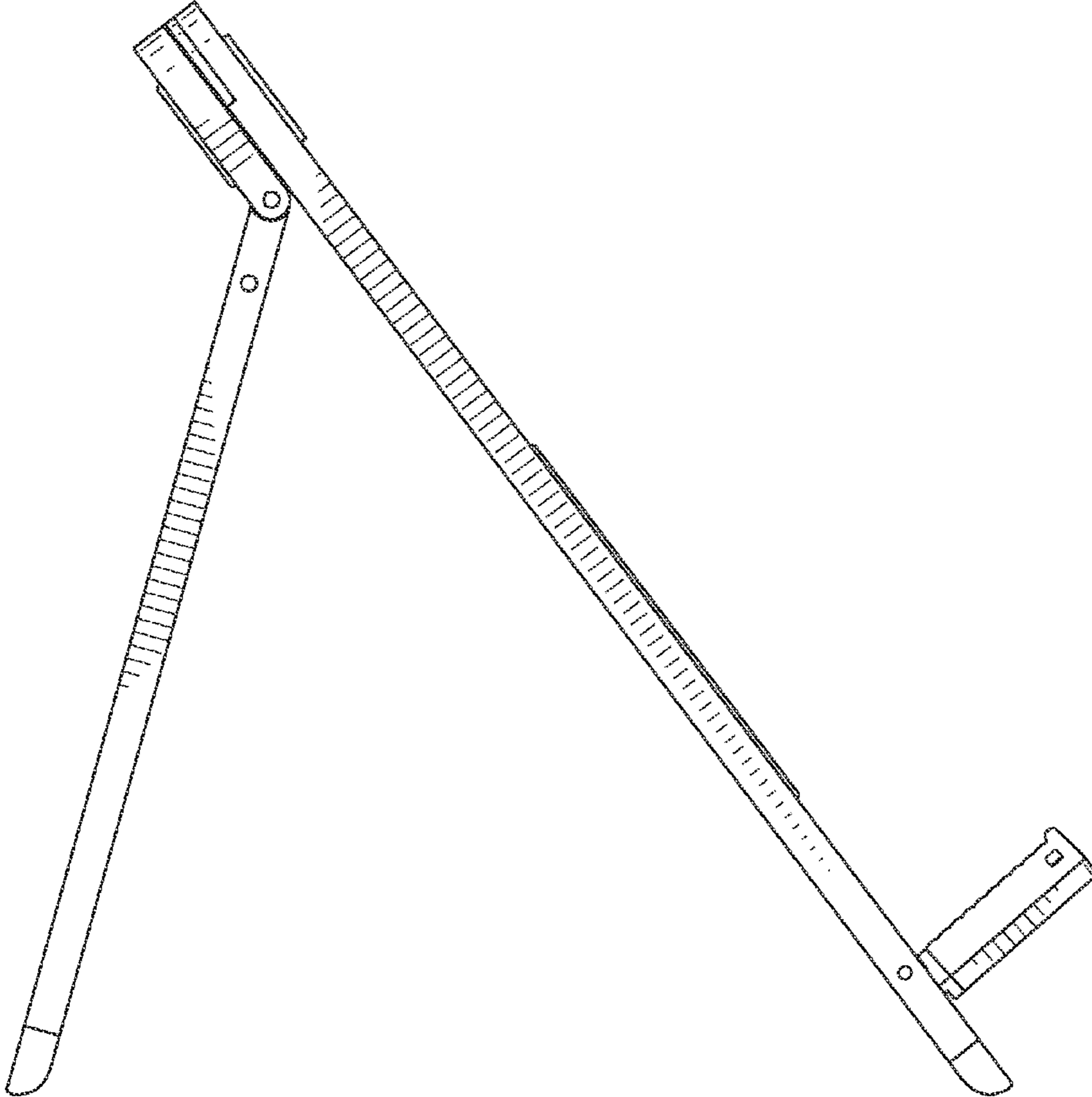


FIG. 5

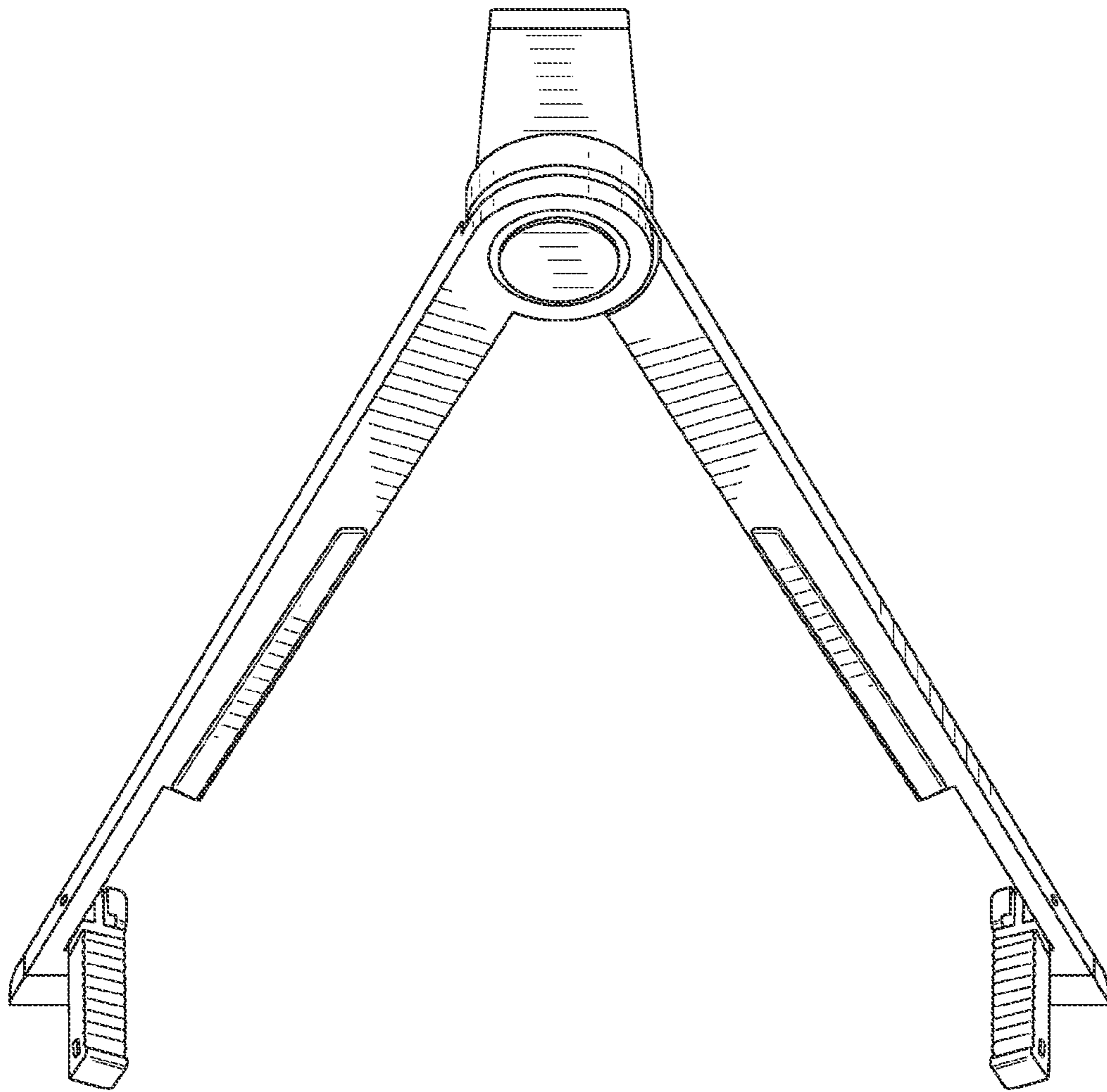


FIG. 6



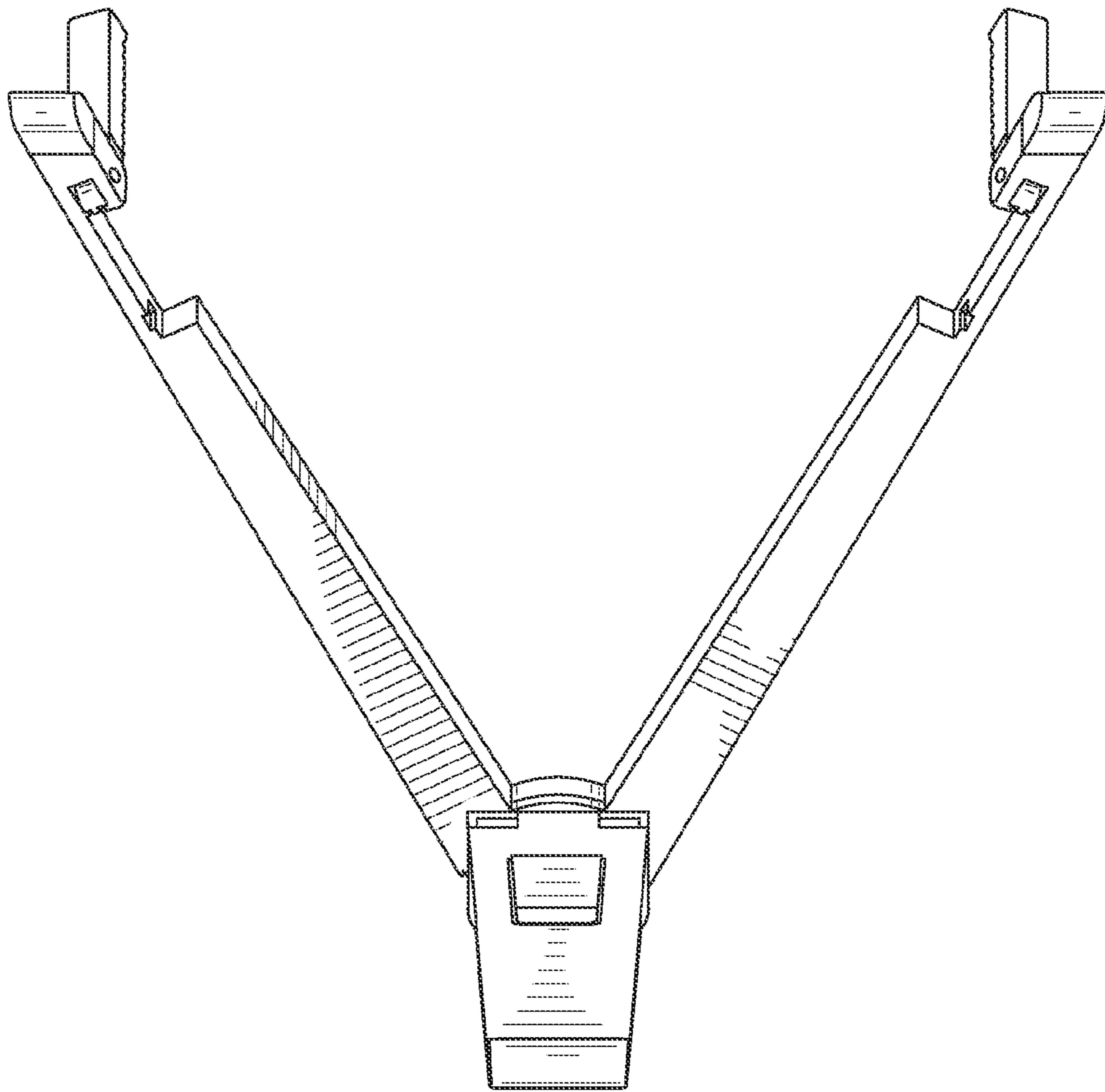
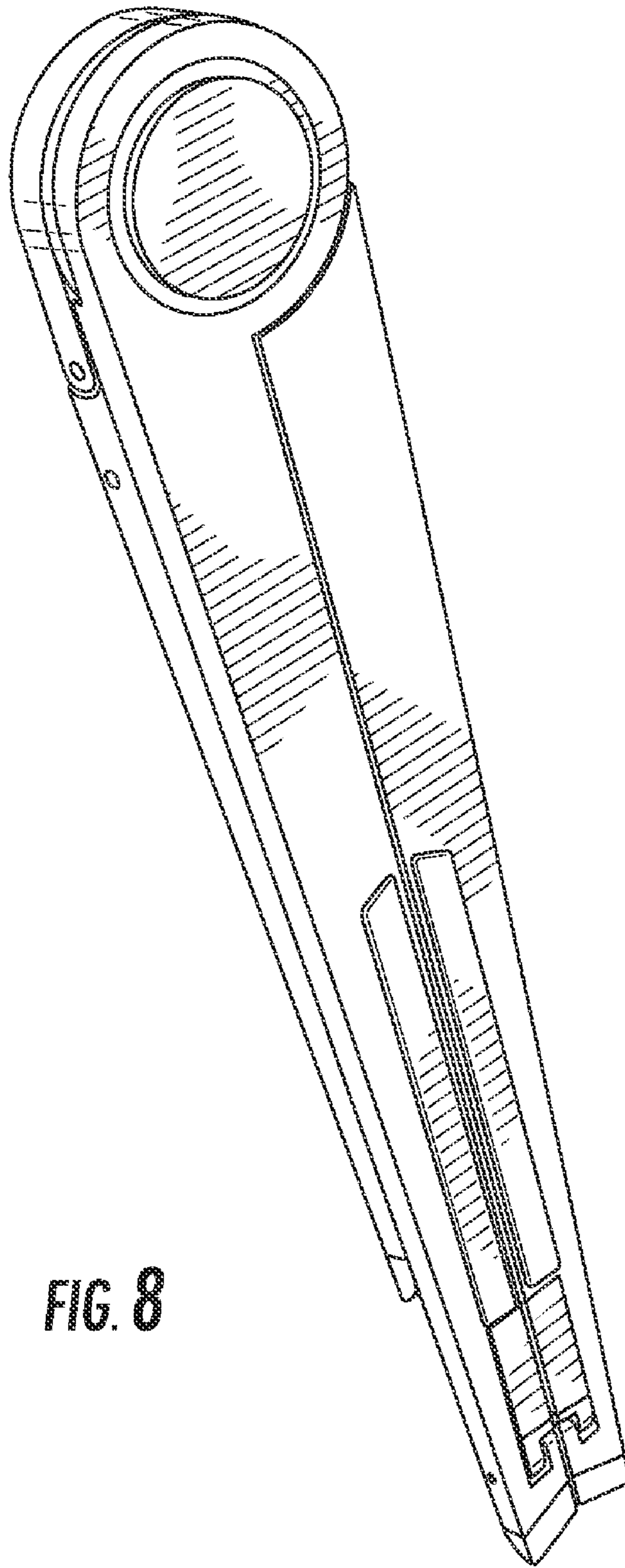


FIG. 7



**FIG. 8**