



US00D636396S

(12) **United States Design Patent**  
**Li**

(10) **Patent No.:** **US D636,396 S**  
(45) **Date of Patent:** **\*\* Apr. 19, 2011**

(54) **COMPUTER WITH APPLIED PATTERN**

(75) Inventor: **Chun-Xing Li**, Hisnchu (TW)

(73) Assignee: **Getac Technology Corporation**, Taipei (TW)

(\*\*) Term: **14 Years**

(21) Appl. No.: **29/318,420**

(22) Filed: **Jun. 5, 2008**

(51) **LOC (9) Cl.** ..... **14-02**

(52) **U.S. Cl.** ..... **D14/439**; D14/299; D14/440; D5/55

(58) **Field of Classification Search** ..... D14/439, D14/440, 441, 444, 315, 341, 353, 217, 248, D14/250, 299; D3/218; D5/4, 55, 58, 59, D5/61; 455/575.1-575.9

See application file for complete search history.

(56) **References Cited**

**U.S. PATENT DOCUMENTS**

794,045	A	*	7/1905	Pope et al.	.....	428/30
D89,238	S	*	2/1933	Juestrich	.....	D5/55
D107,221	S	*	11/1937	Dewsbury	.....	D5/59
D181,689	S	*	12/1957	Sylvester et al.	.....	D5/53
D188,407	S	*	7/1960	Siegmann	.....	D5/56
D259,069	S	*	4/1981	Nixon	.....	D5/59
D412,903	S	*	8/1999	Boyd	.....	D14/138 AA
D488,810	S	*	4/2004	Lin et al.	.....	D14/341
D490,419	S	*	5/2004	Shiue et al.	.....	D14/341
D531,818	S	*	11/2006	Hustedt et al.	.....	D5/58
7,206,618	B2	*	4/2007	Latto et al.	.....	455/575.8
D562,012	S	*	2/2008	Withers et al.	.....	D5/55
D562,295	S	*	2/2008	Lindner et al.	.....	D14/138 AB
D574,385	S	*	8/2008	Koh et al.	.....	D14/440
D574,836	S	*	8/2008	Koh et al.	.....	D14/440

D575,753	S	*	8/2008	Lee et al.	.....	D14/138 AB
D590,795	S	*	4/2009	Tkachuk	.....	D14/138 AB
D600,012	S	*	9/2009	Ledbetter et al.	.....	D3/248
D606,072	S	*	12/2009	Zhu et al.	.....	D14/341
D606,525	S	*	12/2009	Chen et al.	.....	D14/248
D612,842	S	*	3/2010	Anderson	.....	D14/248

\* cited by examiner

*Primary Examiner* — T. Chase Nelson

*Assistant Examiner* — Deanna Fluegeman

(74) *Attorney, Agent, or Firm* — Apex Juris, pllc; Tracy M Heims

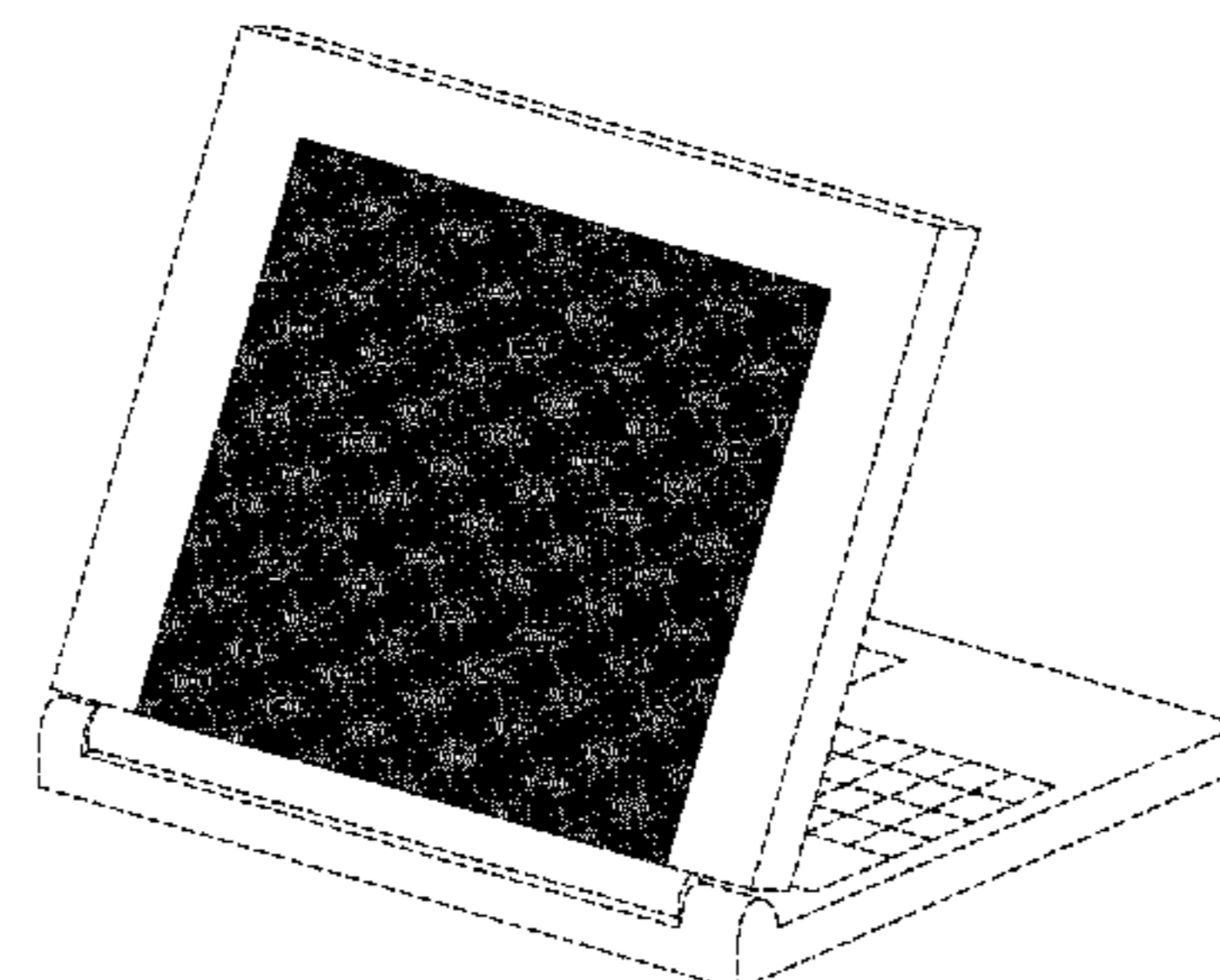
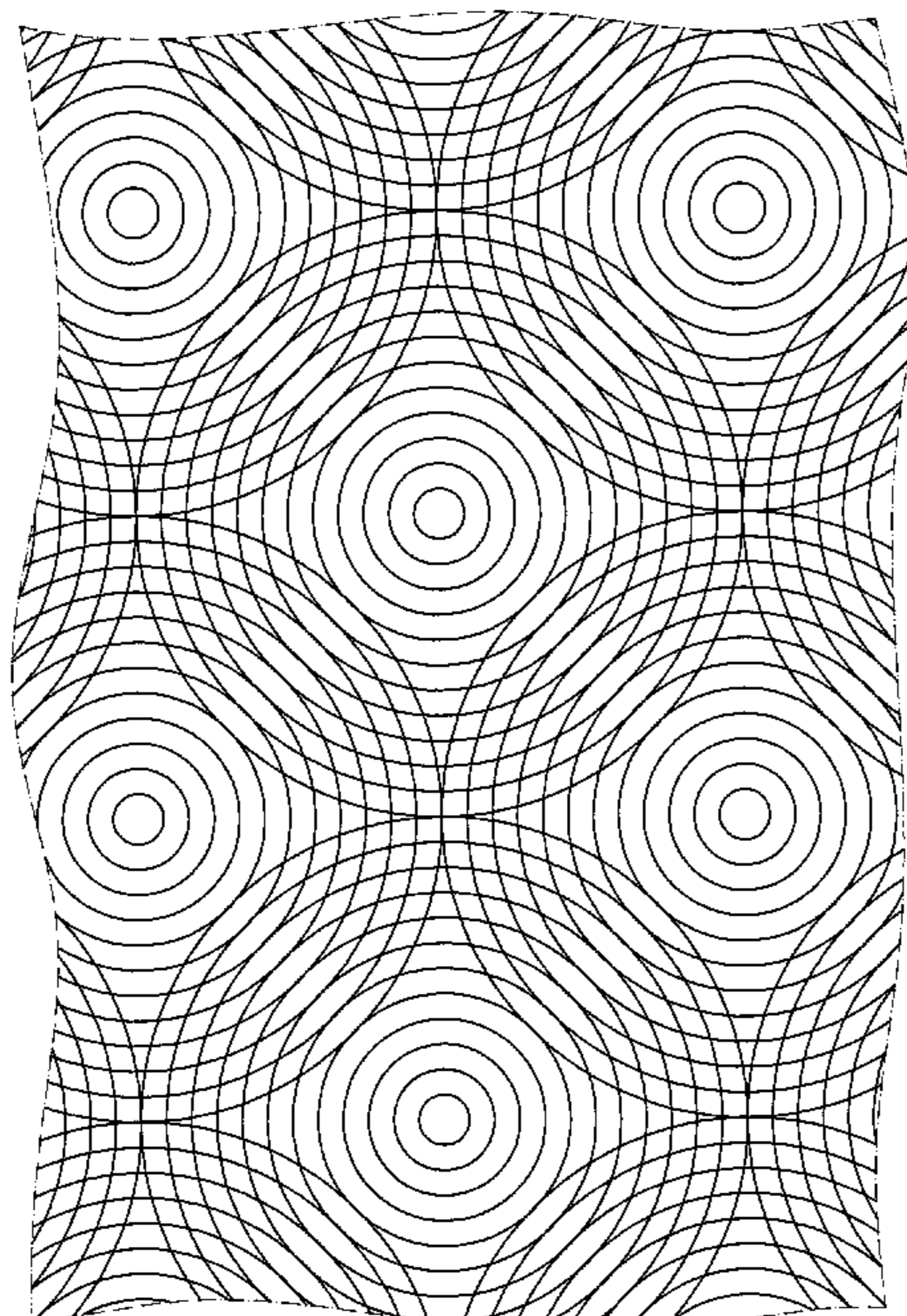
(57) **CLAIM**

The ornamental design for a pattern applied to a computer, as shown and described.

**DESCRIPTION**

FIG. 1 is a front view of a first embodiment of a computer with applied pattern according to my new design;  
 FIG. 2 is a front side perspective view of a second embodiment thereof;  
 FIG. 3 is a front side perspective view of a third embodiment thereof;  
 FIG. 4 is a front side perspective view of a fourth embodiment thereof;  
 FIG. 5 is a front side perspective view of a fifth embodiment thereof;  
 FIG. 6 is a front view of a sixth embodiment thereof;  
 FIG. 7 is a front view of a seventh embodiment thereof;  
 FIG. 8 is a front view of an eighth embodiment thereof; and,  
 FIG. 9 is a front view of a ninth embodiment thereof.  
 The broken line showing of the computer is included for the purpose of illustrating unclaimed environmental structure and forms no part of the claimed design.

**1 Claim, 9 Drawing Sheets**



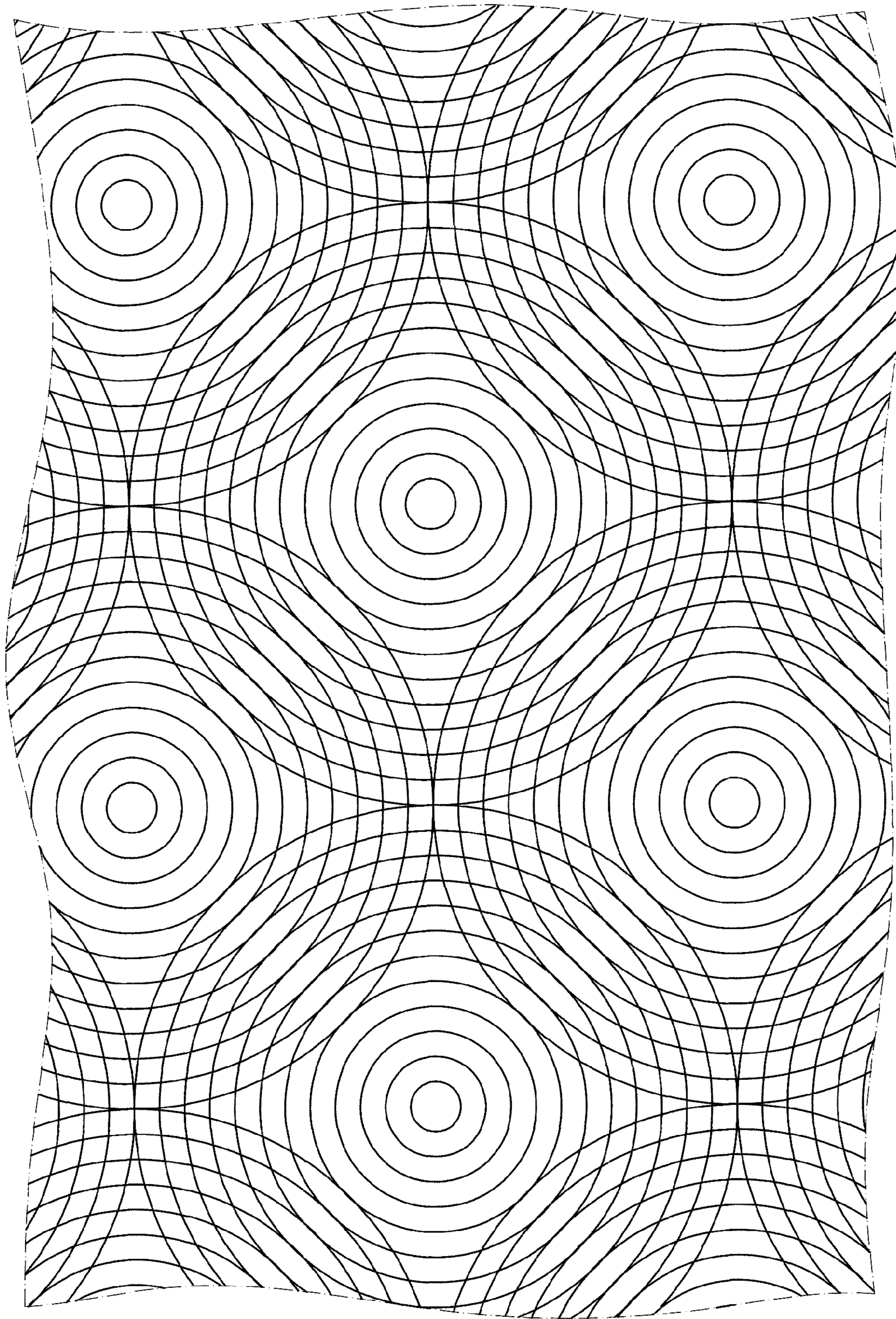


Fig. 1

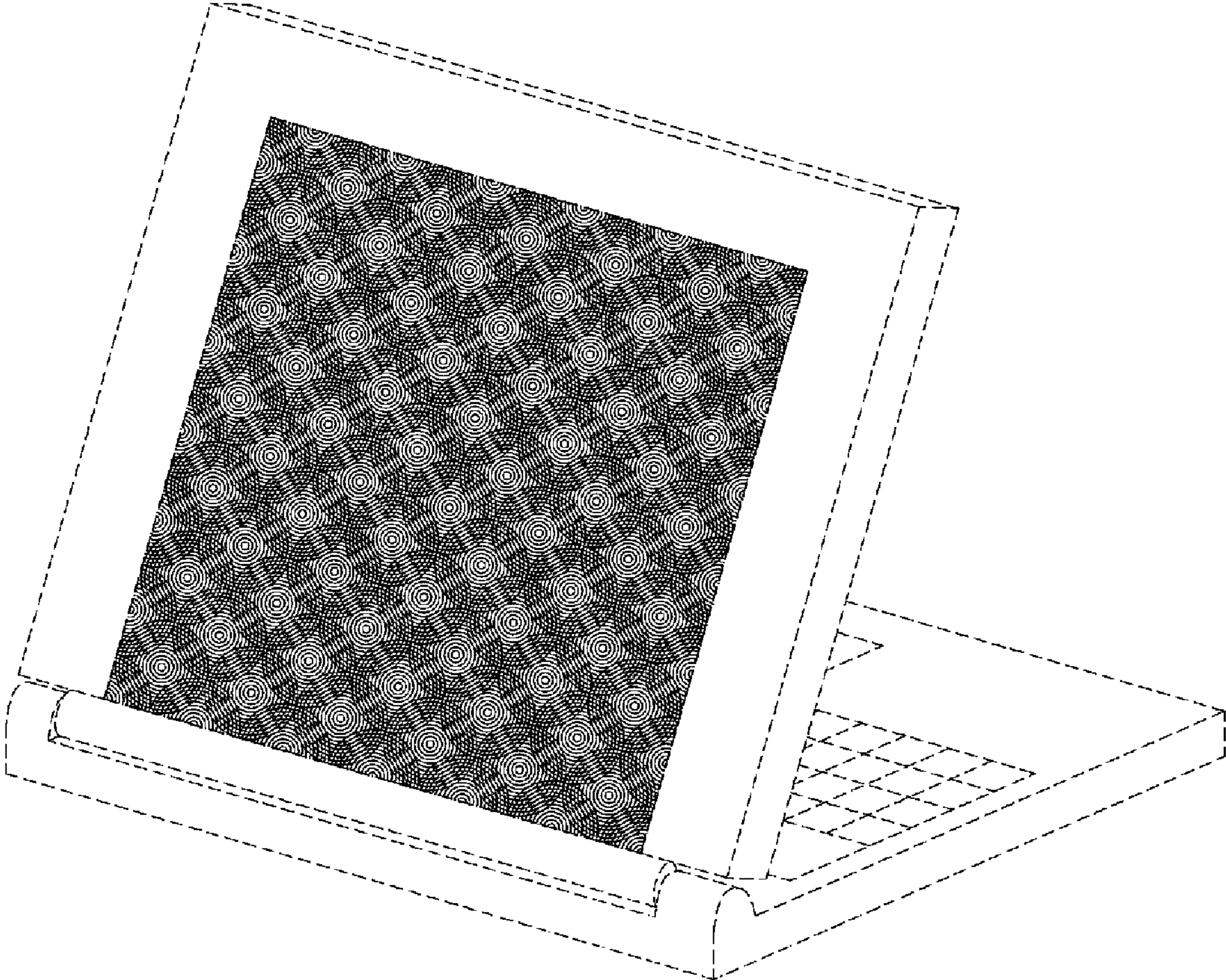


Fig. 2

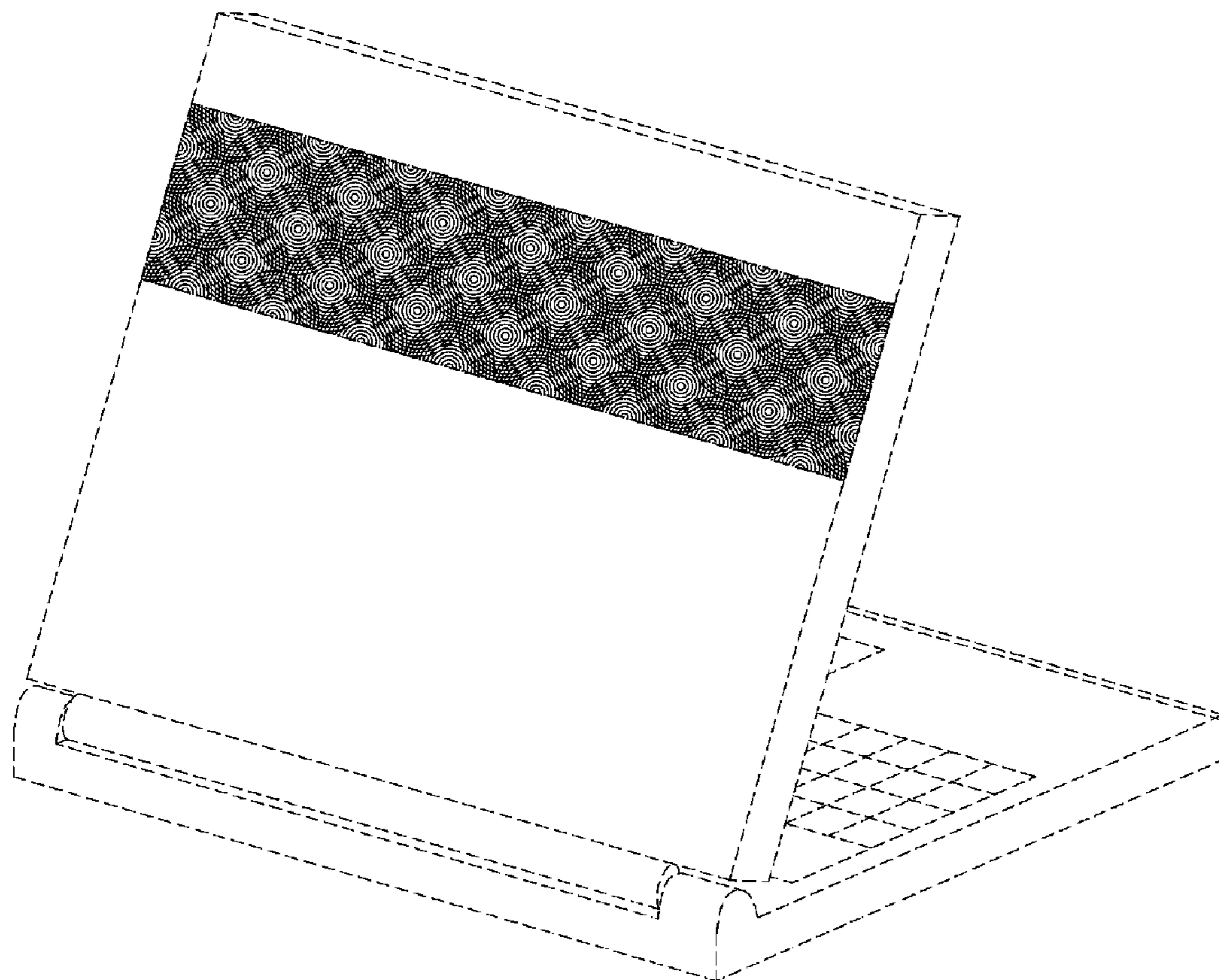


Fig. 3

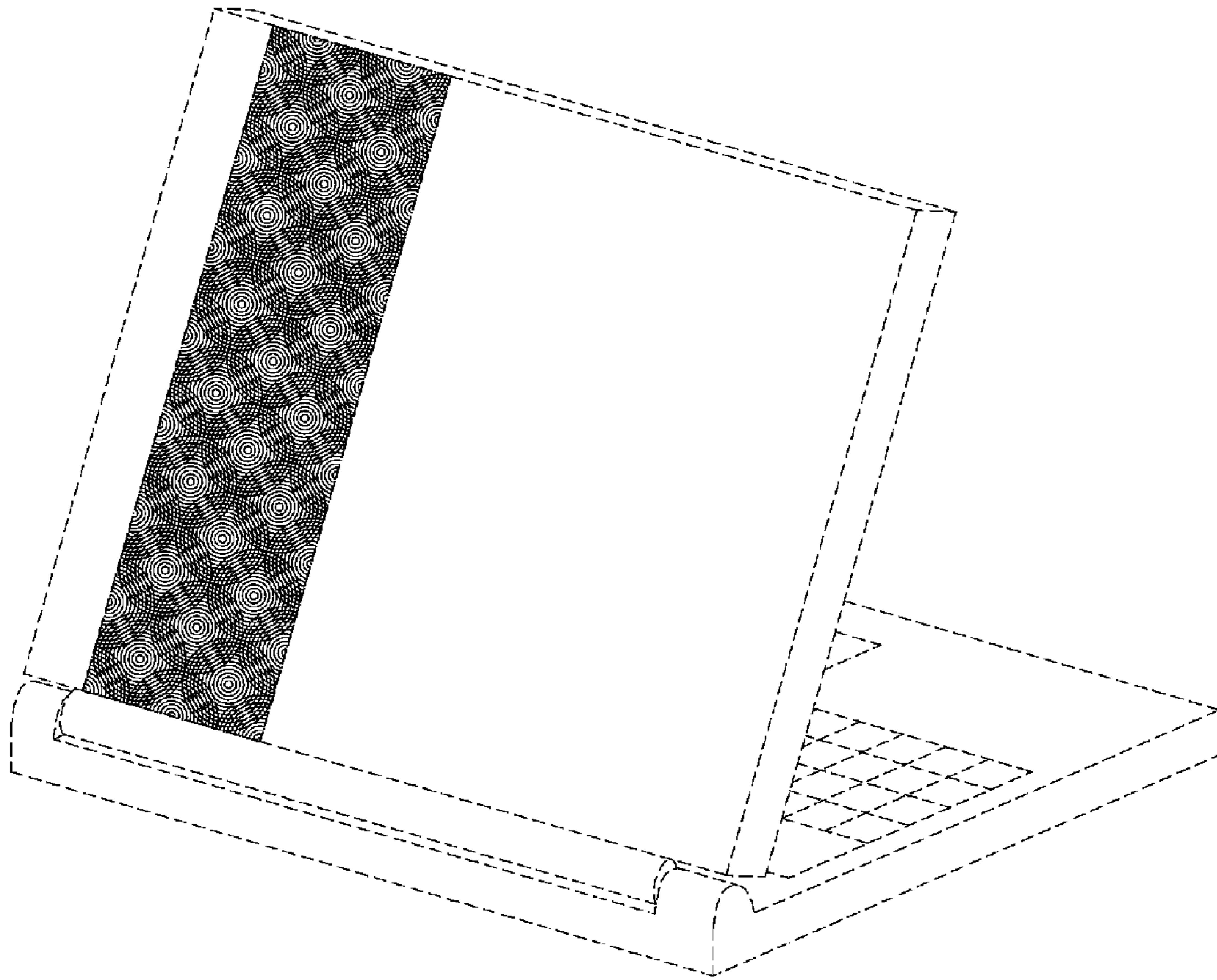


Fig. 4

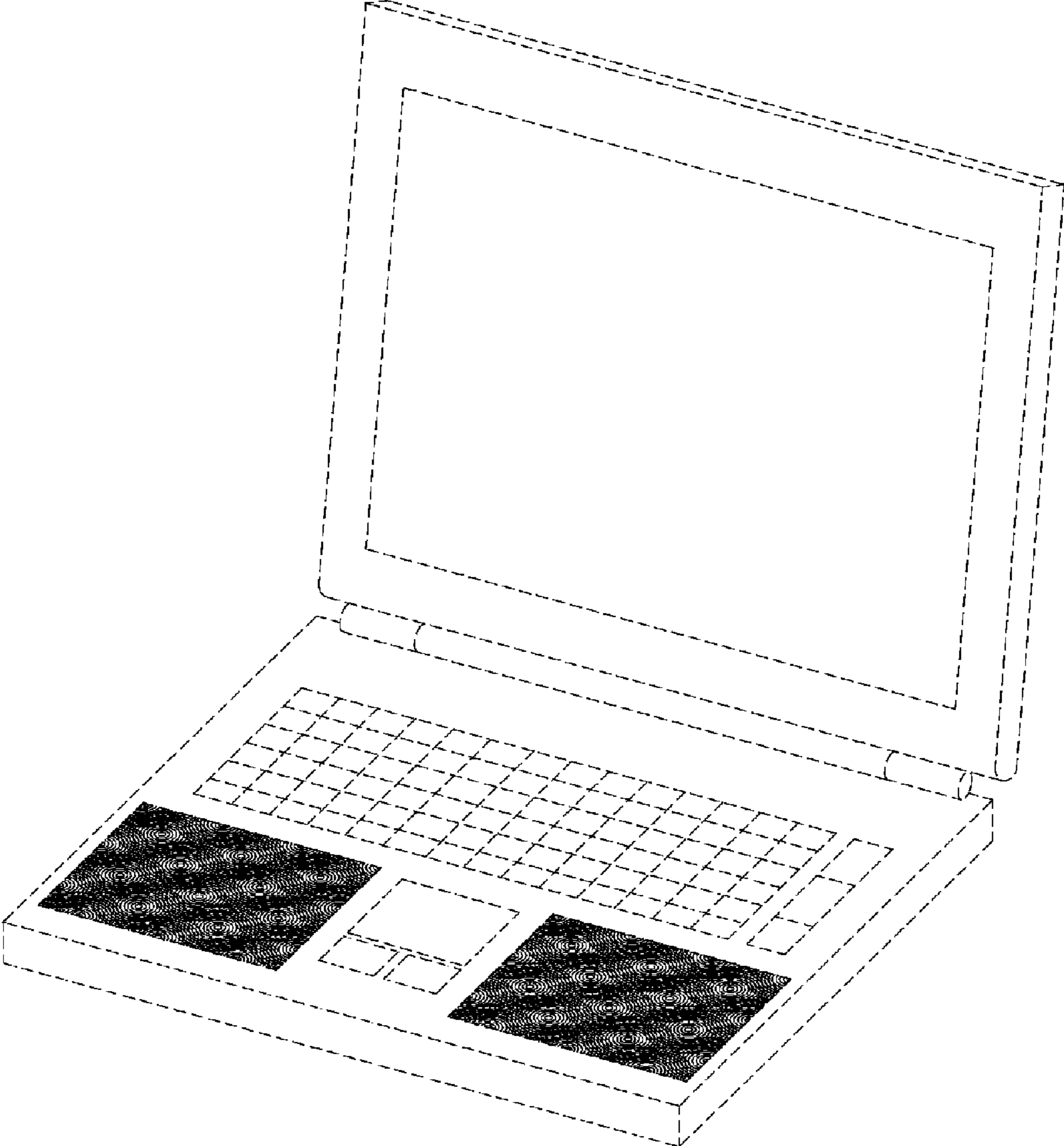


Fig. 5

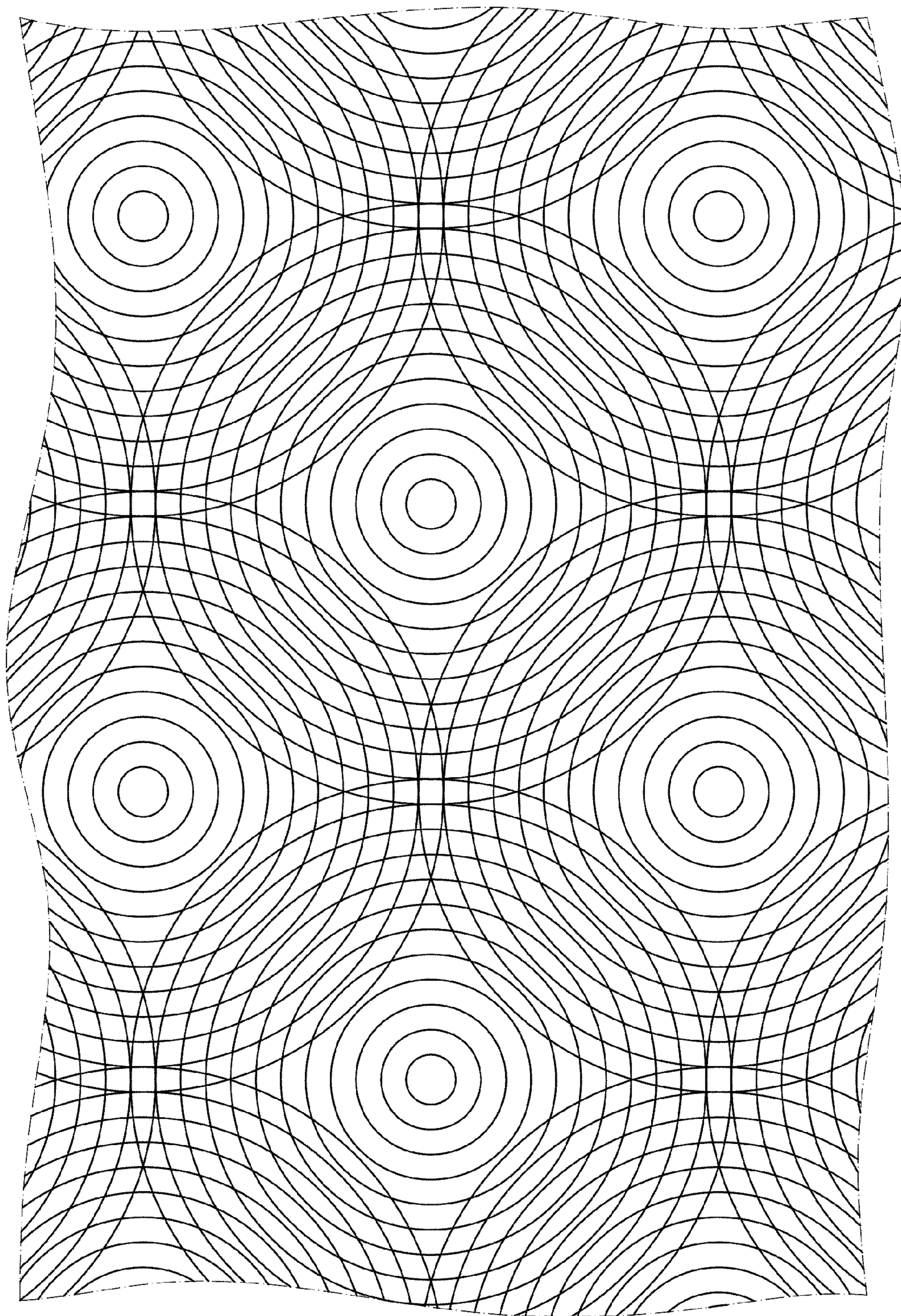


Fig. 6

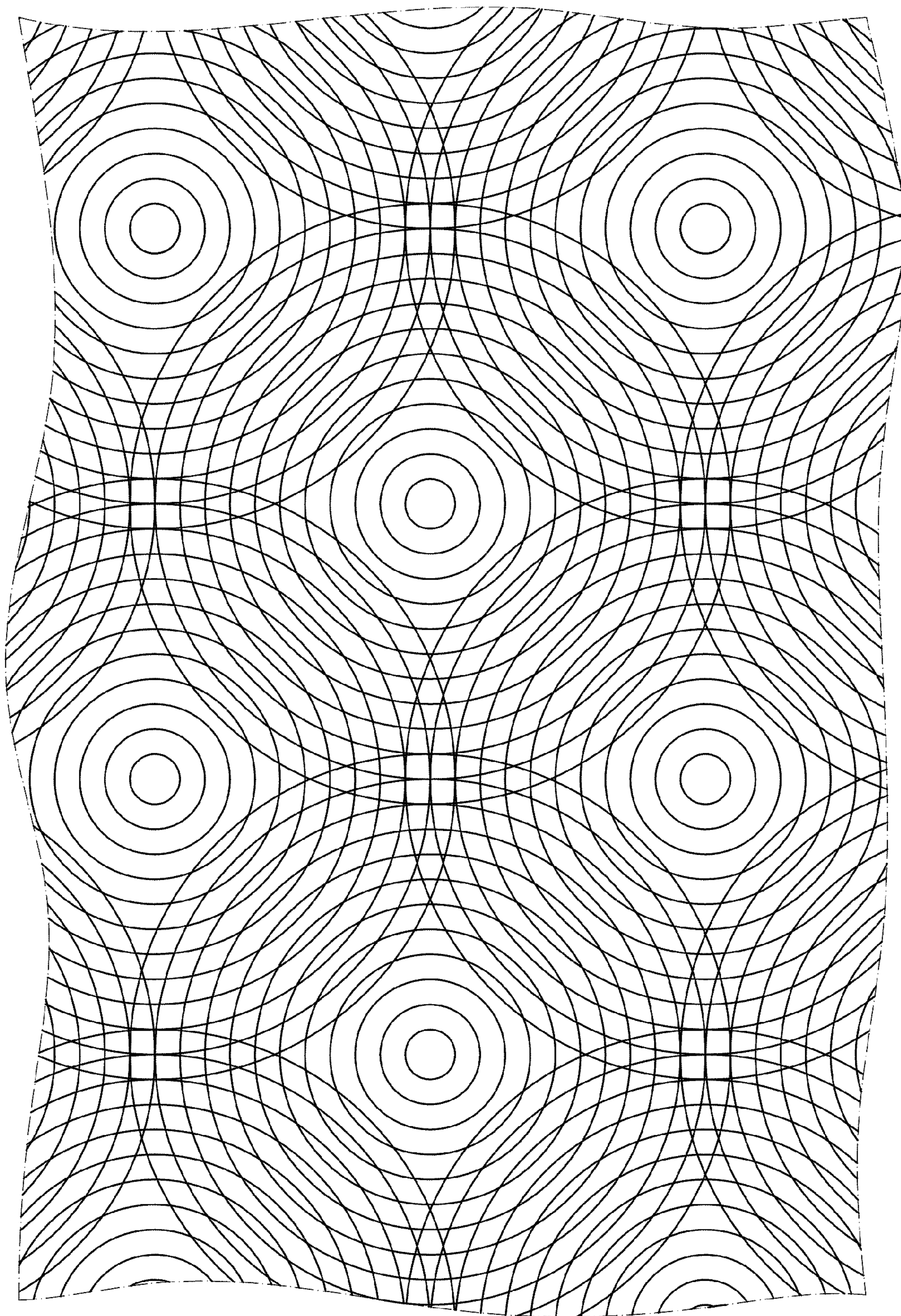


Fig. 7



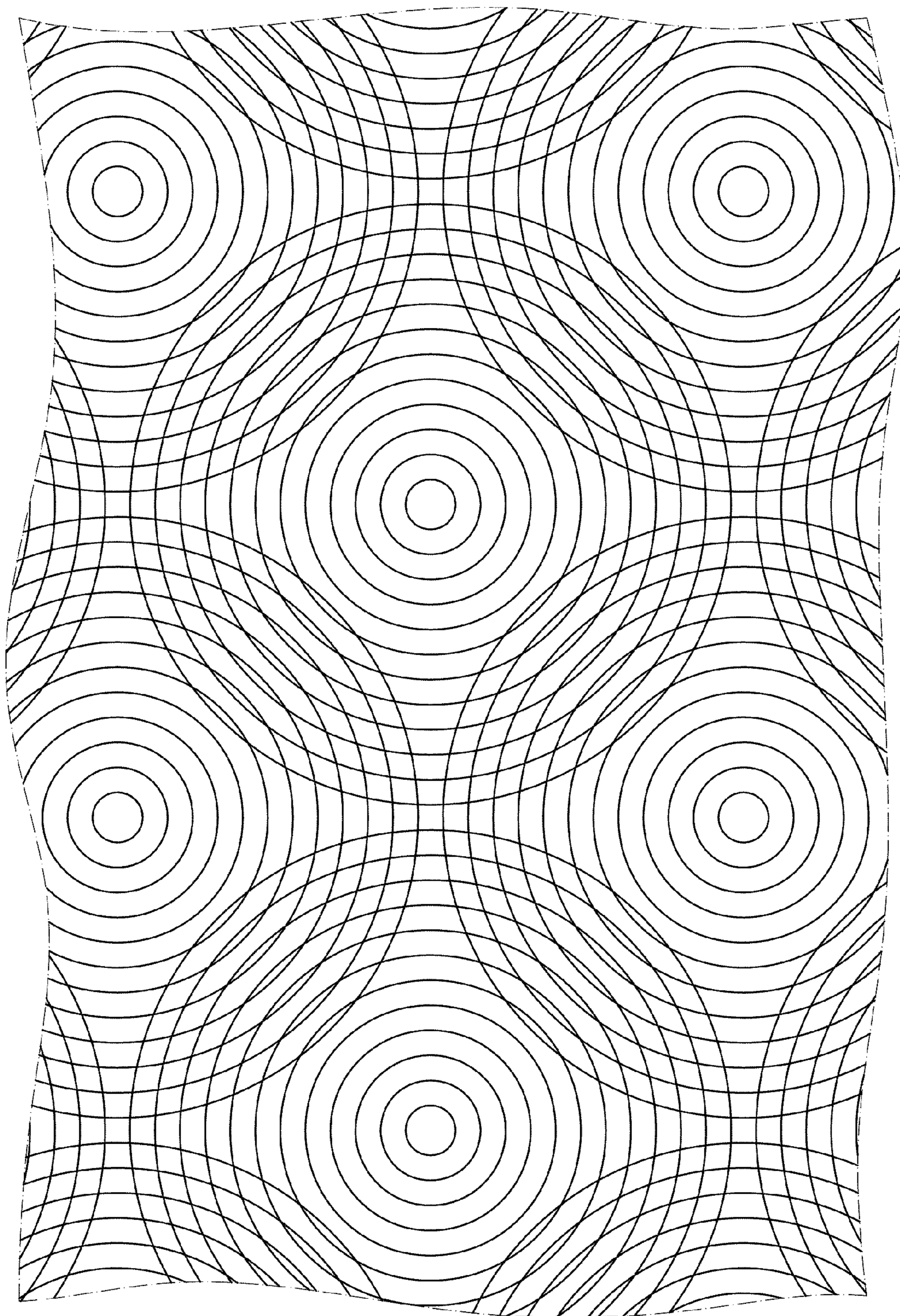


Fig. 8

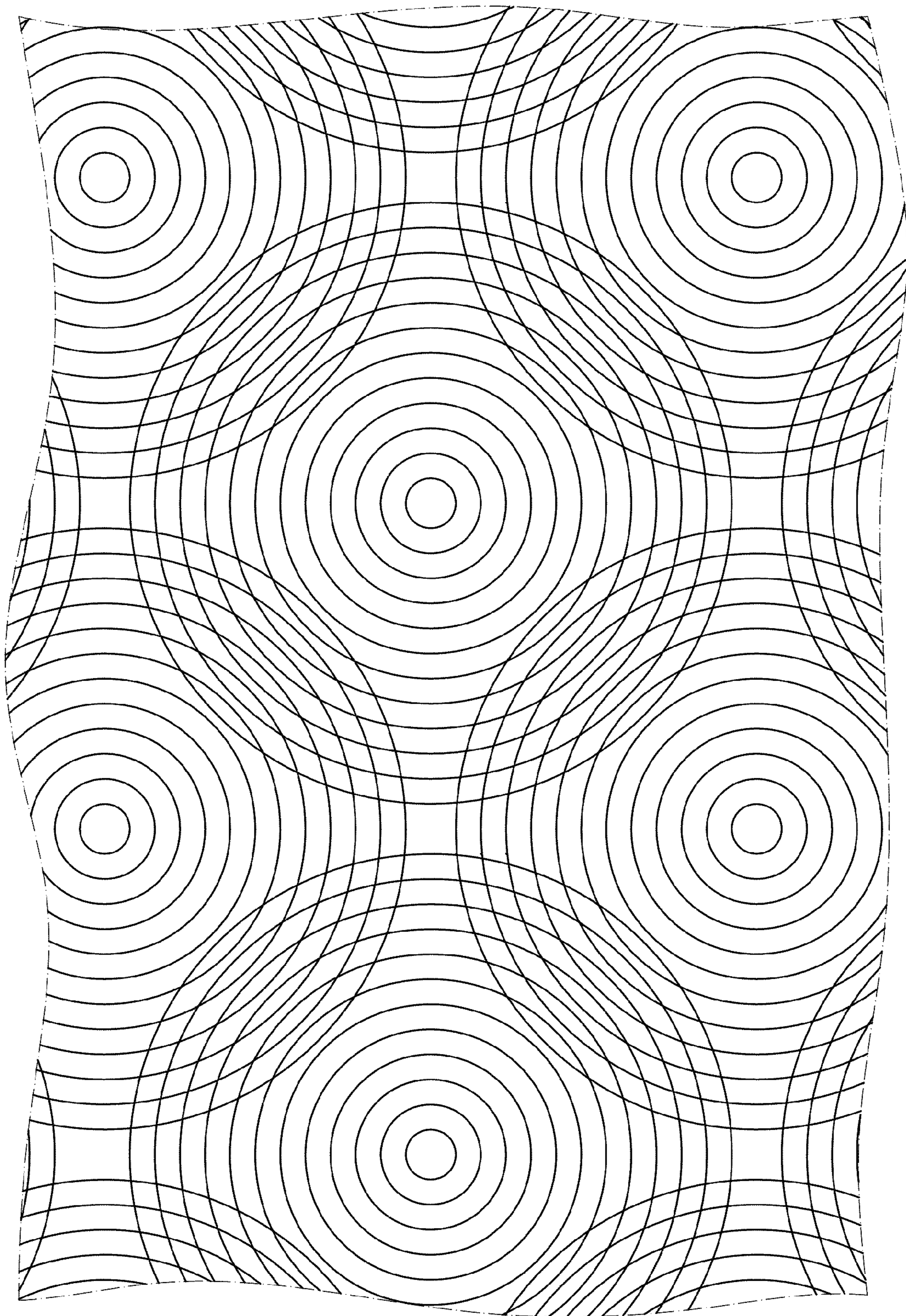


Fig. 9