



US00D636395S

(12) **United States Design Patent**
Anderson et al.

(10) **Patent No.:** **US D636,395 S**
(45) **Date of Patent:** **** Apr. 19, 2011**

(54) **DOCK FOR A PORTABLE STORAGE
DEVICE, OR THE LIKE**

(75) Inventors: **Lester Clifford Anderson**, Dublin, CA
(US); **John Lynn Harting**, San Jose, CA
(US); **Stuart Allan Karten**, Venice, CA
(US); **Christopher LaBrutto**, San Jose,
CA (US); **Andy Jason Logan**, Thousand
Oaks, CA (US); **Glen Arthur Noda**,
Playa Del Rey, CA (US); **Dennis Lynn
Schroeder**, Los Angeles, CA (US)

(73) Assignee: **Hitachi Global Storage Technologies
Netherlands B.V.**, Amsterdam (NL)

(**) Term: **14 Years**

(21) Appl. No.: **29/370,334**

(22) Filed: **Jul. 1, 2010**

(51) **LOC (9) Cl.** **14-02**

(52) **U.S. Cl.** **D14/434; D13/107; D13/108**

(58) **Field of Classification Search** D14/432-434,
D14/314, 204, 420, 421, 447, 217, 358; D13/107,
D13/108, 146; D8/373; 248/346.03, 176.1,
248/130; 361/679.41, 679.31, 679.32, 679.4,
361/679.43; 320/109, 112-115; 705/15

See application file for complete search history.

(56) **References Cited**

U.S. PATENT DOCUMENTS

D411,835	S	*	7/1999	Mizusugi et al.	D14/434
D540,802	S	*	4/2007	Hussaini et al.	D14/434
D552,611	S	*	10/2007	Hagiwara et al.	D14/434
D574,375	S	*	8/2008	Prest et al.	D14/253
D616,431	S	*	5/2010	Hijmans	D14/253
2010/0118485	A1	*	5/2010	Crooijmans et al.	361/679.43

* cited by examiner

Primary Examiner — Freda S Nunn

(74) *Attorney, Agent, or Firm* — John Henkhaus

(57) **CLAIM**

The ornamental design for a dock for a portable storage device, or the like, as shown.

DESCRIPTION

FIG. 1 is a front perspective view showing the top, front and left side of a dock for a portable storage device, or the like; FIG. 2 is a rear perspective view showing the top, rear and right side of the dock for a portable storage device, or the like, of FIG. 1;

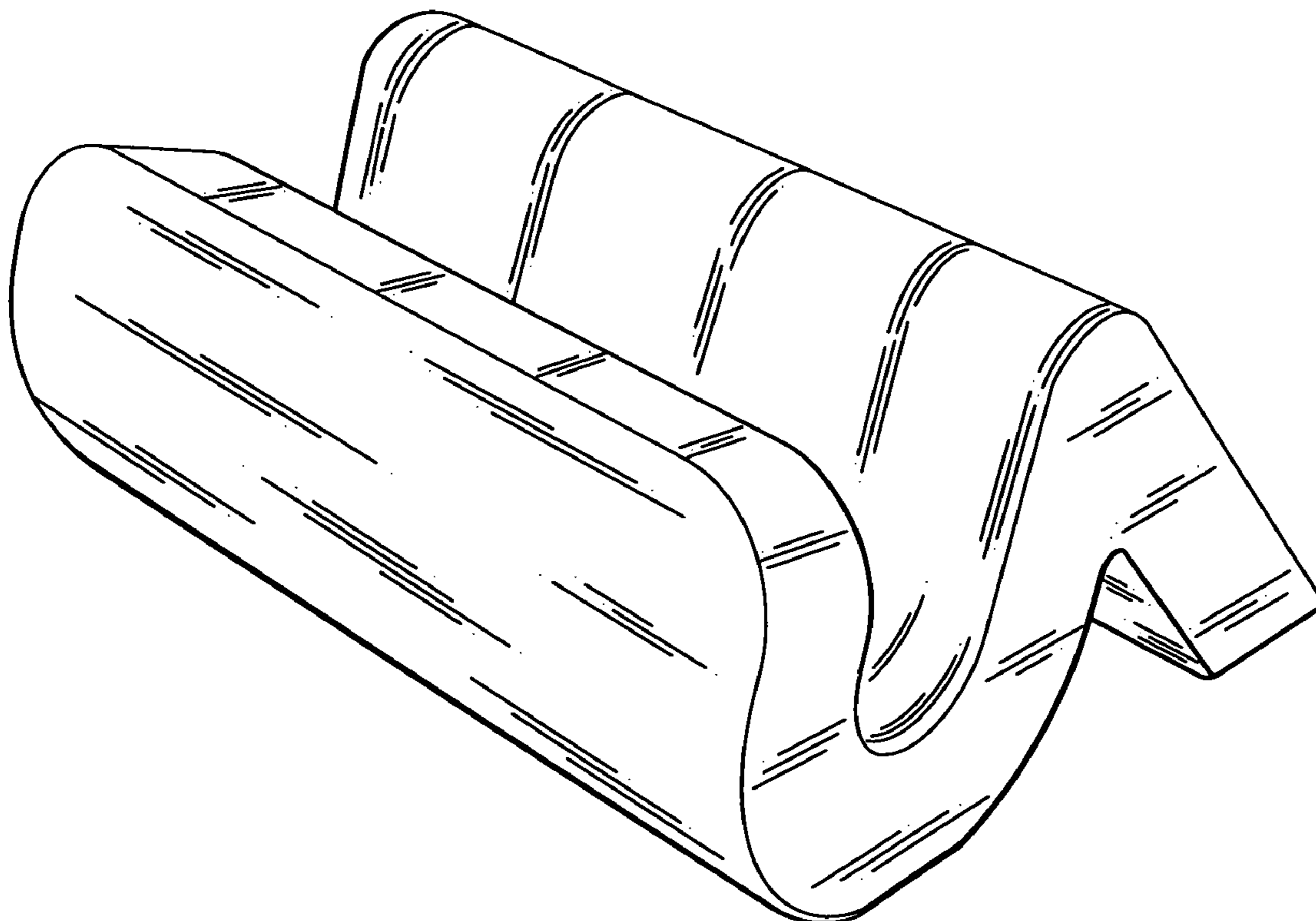
FIG. 3 is a top view of the dock for a portable storage device, or the like, of FIG. 1, showing the front facing the bottom of the page;

FIG. 4 is a bottom view of the dock for a portable storage device, or the like, of FIG. 1, showing the front facing the top of the page;

FIG. 5 is a front view of the dock for a portable storage device, or the like, of FIG. 1; and,

FIG. 6 is a left side view of the dock for a portable storage device, or the like, of FIG. 1.

1 Claim, 6 Drawing Sheets



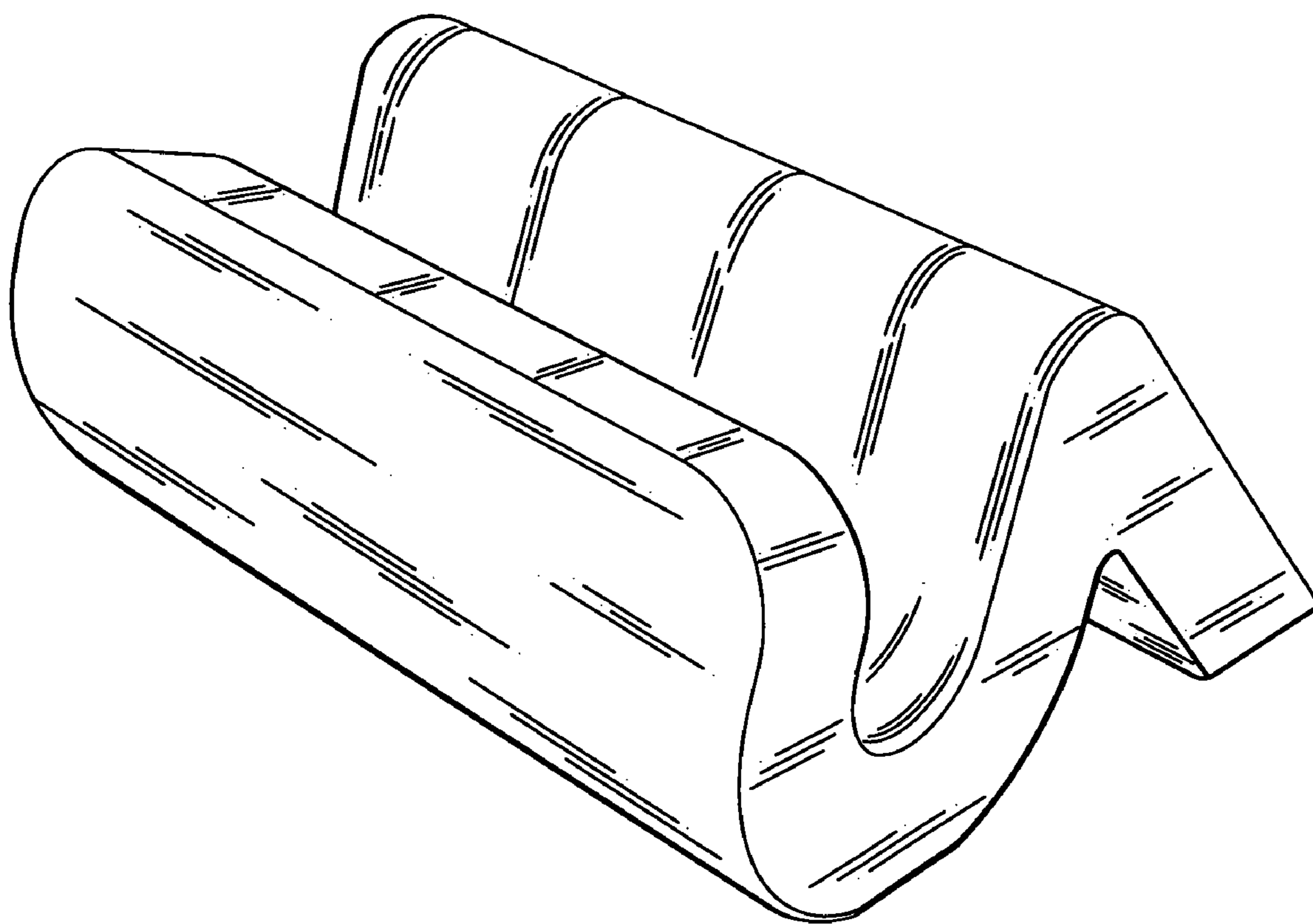


FIG. 1

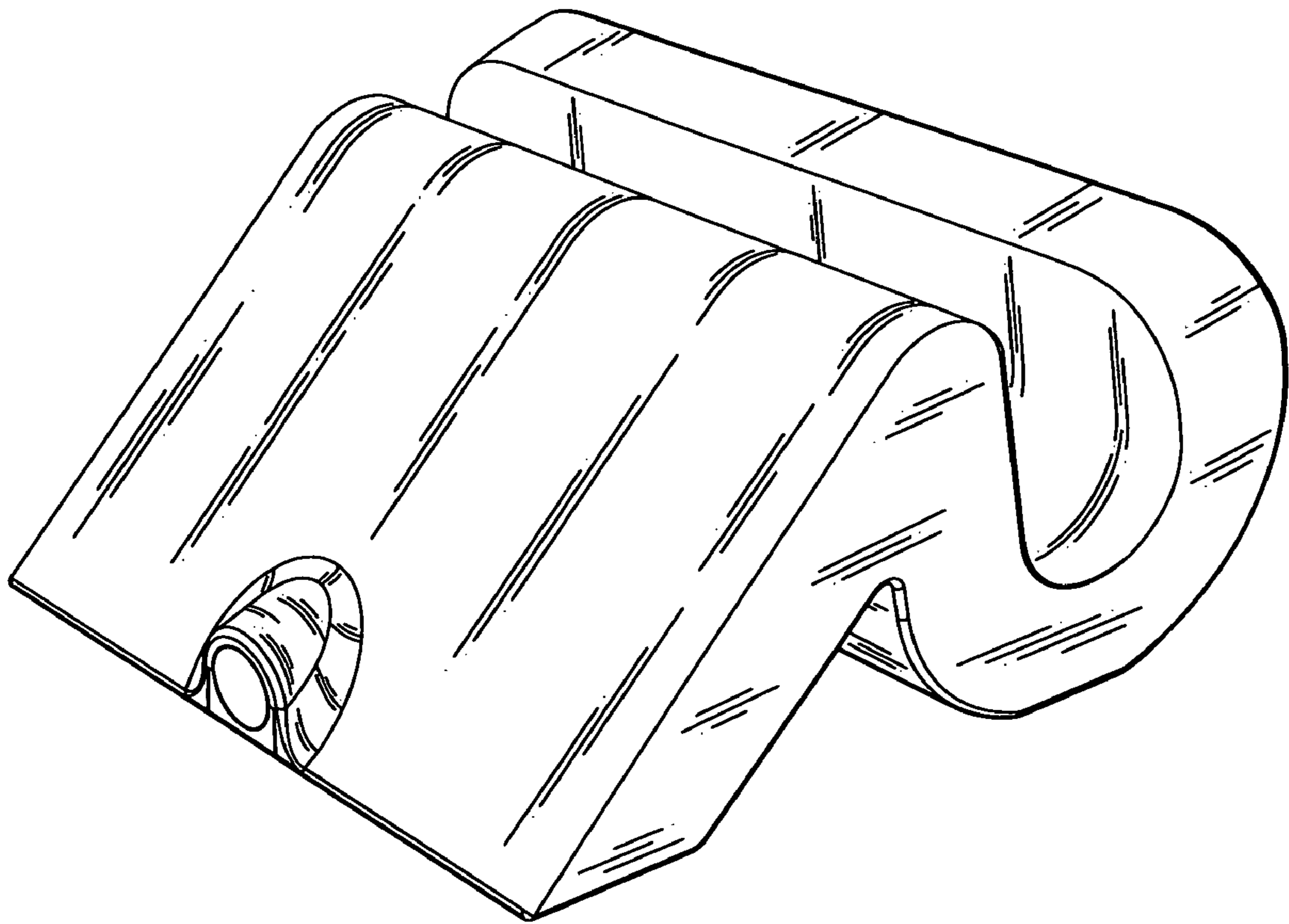


FIG. 2

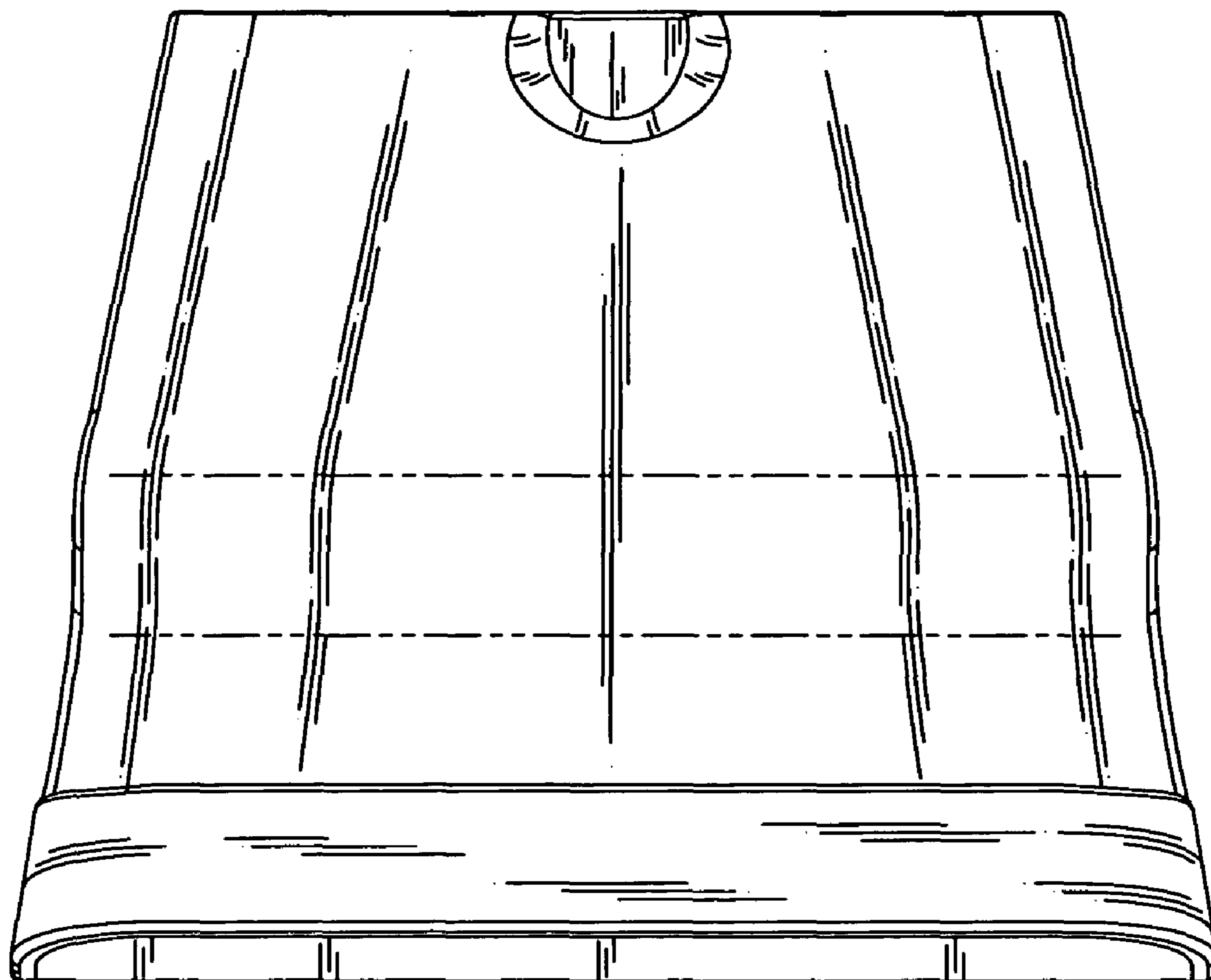


FIG. 3

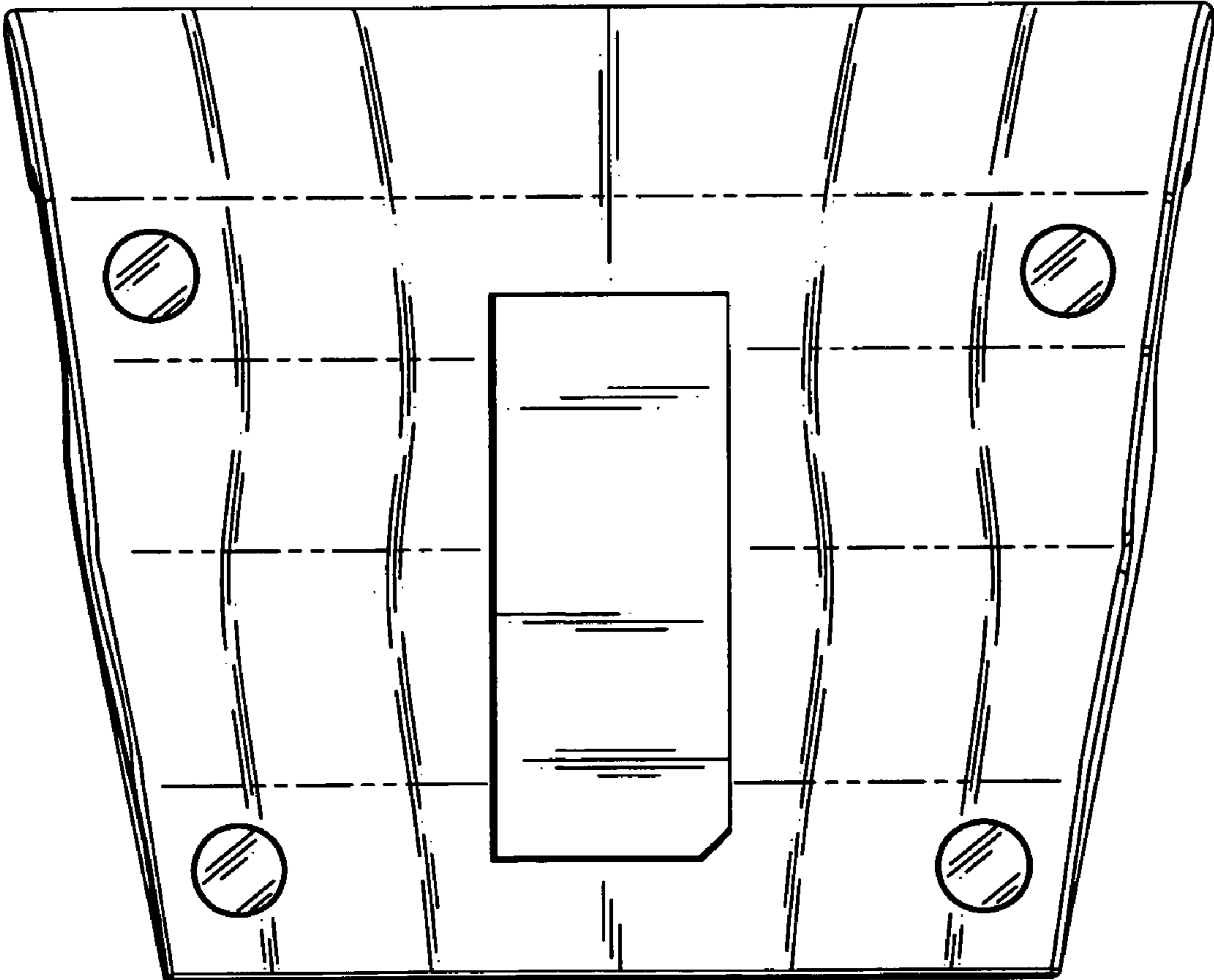


FIG. 4

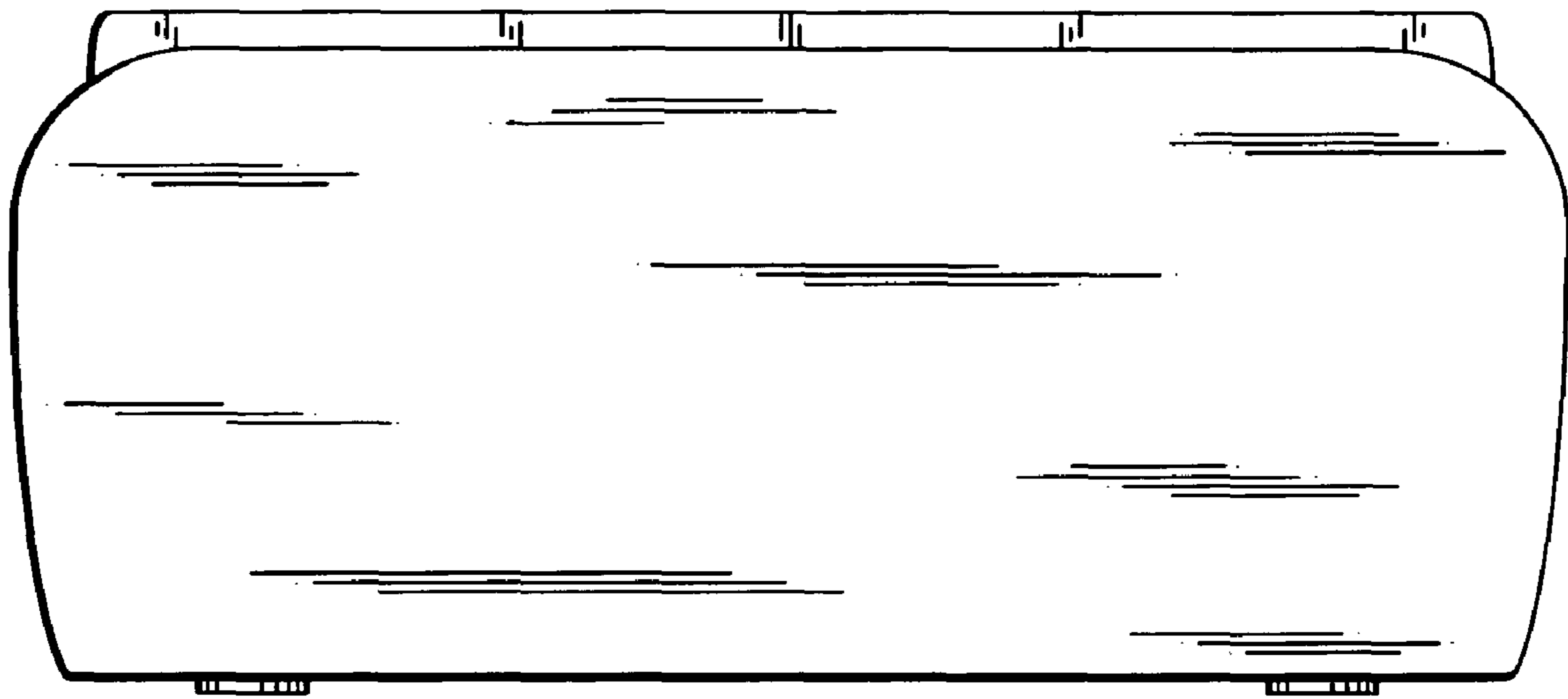


FIG. 5

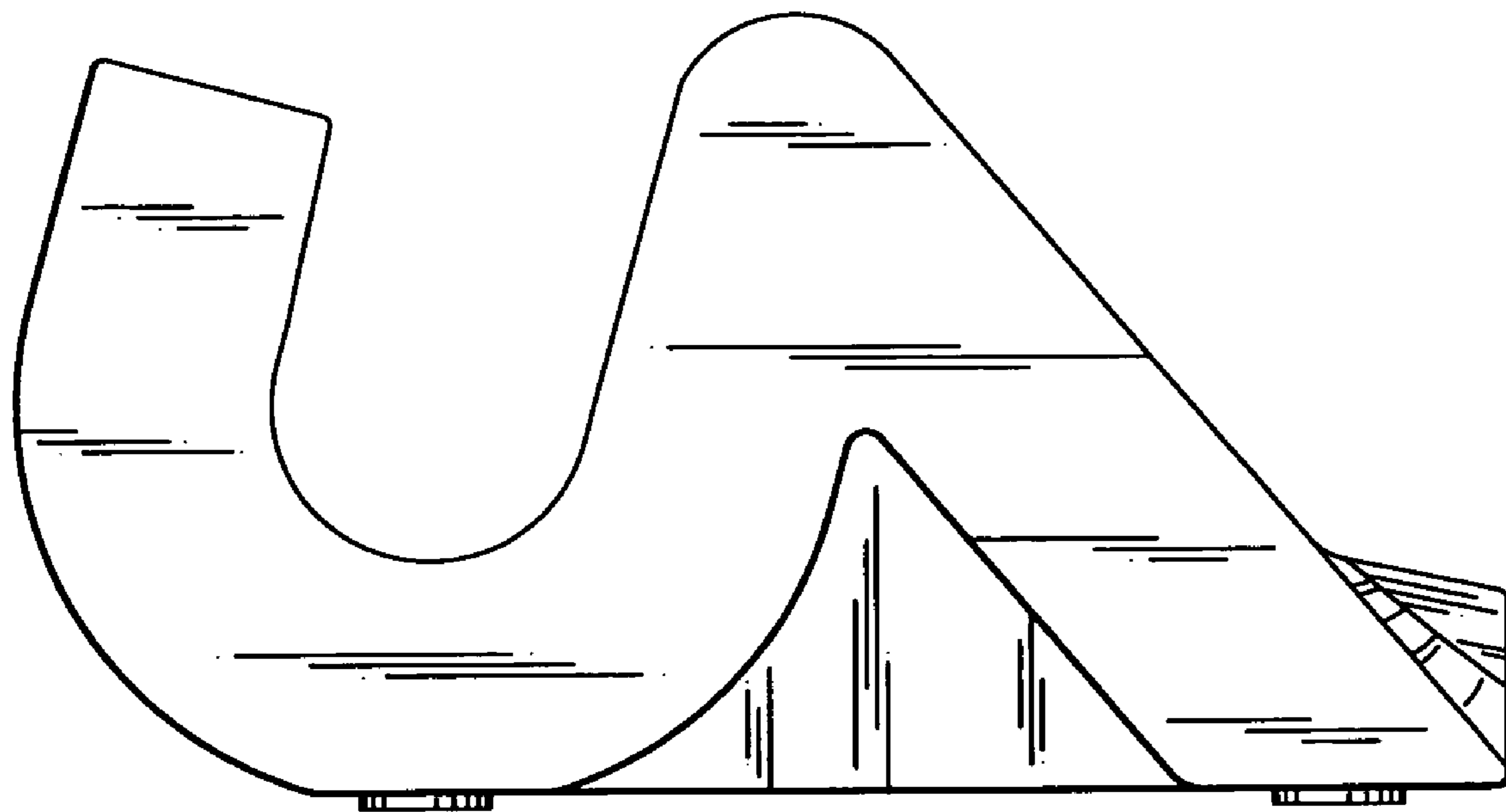


FIG. 6