



US00D636394S

(12) **United States Design Patent**  
**Burke et al.**

(10) **Patent No.:** **US D636,394 S**

(45) **Date of Patent:** **\*\* \*Apr. 19, 2011**

(54) **DATA INPUT AND GAME CONTROL DEVICE**

(75) Inventors: **Michael Burke**, Calgary (CA); **Nino Caldarola**, Winnipeg (CA)

(73) Assignee: **Cyberhand Technologies International, Inc.**, Las Vegas, NV (US)

(\*) Notice: This patent is subject to a terminal disclaimer.

(\*\*) Term: **14 Years**

(21) Appl. No.: **29/325,783**

(22) Filed: **Oct. 6, 2008**

(51) **LOC (9) Cl.** ..... **14-02**

(52) **U.S. Cl.** ..... **D14/400; D21/333**

(58) **Field of Classification Search** ..... D14/217,  
D14/218, 356, 388, 399-401, 412-416, 432,  
D14/434, 454-457, 496; D21/324, 332,  
D21/333; 463/1, 30, 36-38, 46, 47; 345/156-161,  
345/905

See application file for complete search history.

(56) **References Cited**

U.S. PATENT DOCUMENTS

4,650,934 A 3/1987 Burke  
D315,896 S \* 4/1991 Brown ..... D14/399  
D364,648 S \* 11/1995 Osterhout ..... D21/324

D422,029 S \* 3/2000 Goto ..... D21/329  
D448,754 S \* 10/2001 Chang ..... D14/217  
D487,733 S \* 3/2004 Lucaci et al. .... D14/138 AC  
D491,945 S \* 6/2004 Sheehan et al. .... D14/399  
D506,758 S \* 6/2005 Boswell et al. .... D14/413  
D516,559 S \* 3/2006 Cohen ..... D14/413  
D559,889 S \* 1/2008 Nakao et al. .... D17/22  
D561,239 S \* 2/2008 Nakao et al. .... D17/22  
D584,291 S \* 1/2009 Tsao ..... D14/218  
2005/0270270 A1\* 12/2005 Chadha ..... 345/157

\* cited by examiner

*Primary Examiner* — Stella M Reid

*Assistant Examiner* — Keli L Hill

(74) *Attorney, Agent, or Firm* — Greenberg Traurig

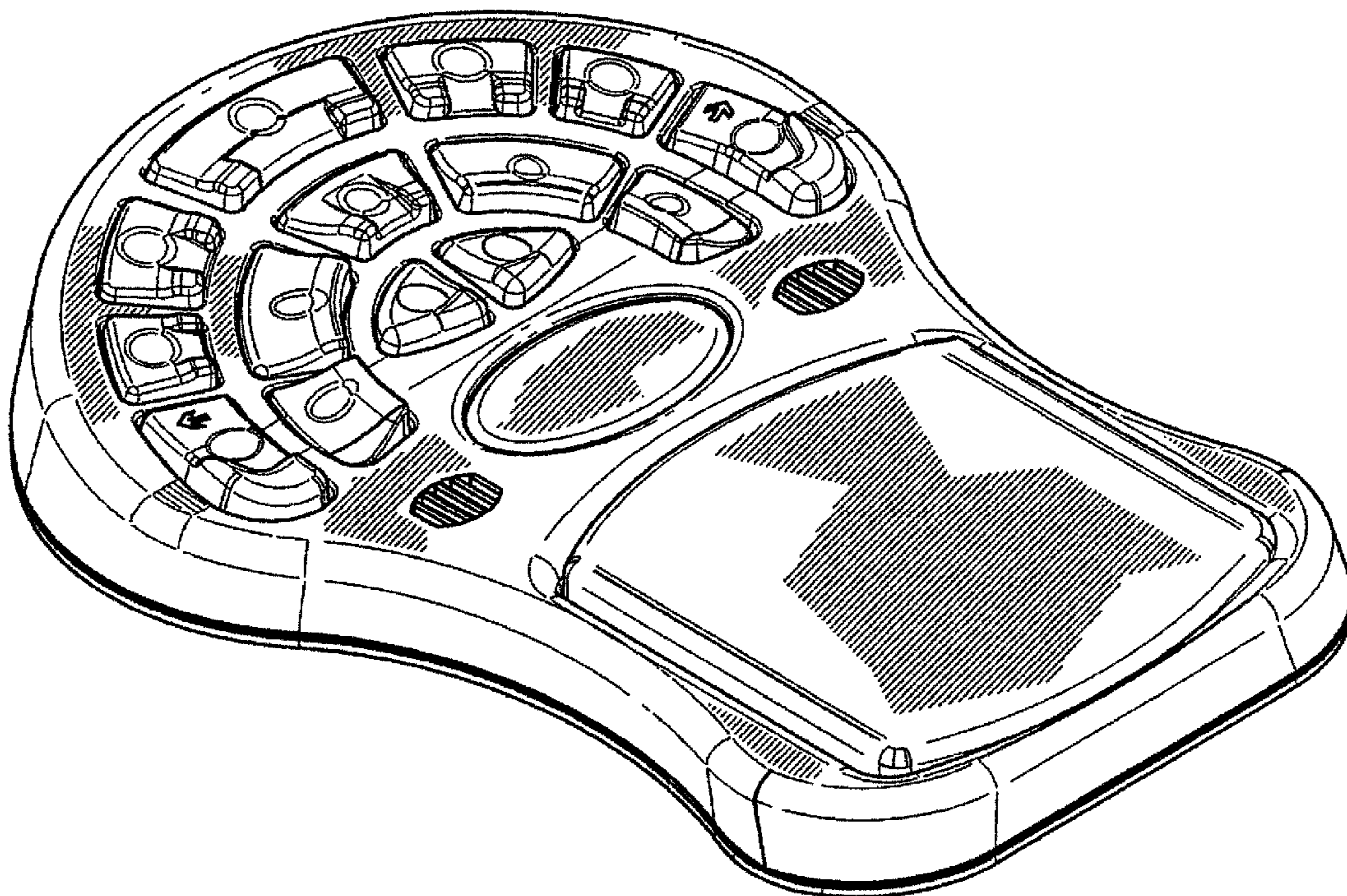
(57) **CLAIM**

The ornamental design for a data input and game control device, as shown and described.

**DESCRIPTION**

FIG. 1 is a top plan view of a data input and game control device, embodying my new design;  
FIG. 2 is a bottom plan view thereof;  
FIG. 3 is a left side elevation view thereof;  
FIG. 4 is a front elevation view thereof;  
FIG. 5 is a rear elevation view thereof;  
FIG. 6 is a right side elevation view thereof; and,  
FIG. 7 is a perspective view thereof.

**1 Claim, 7 Drawing Sheets**



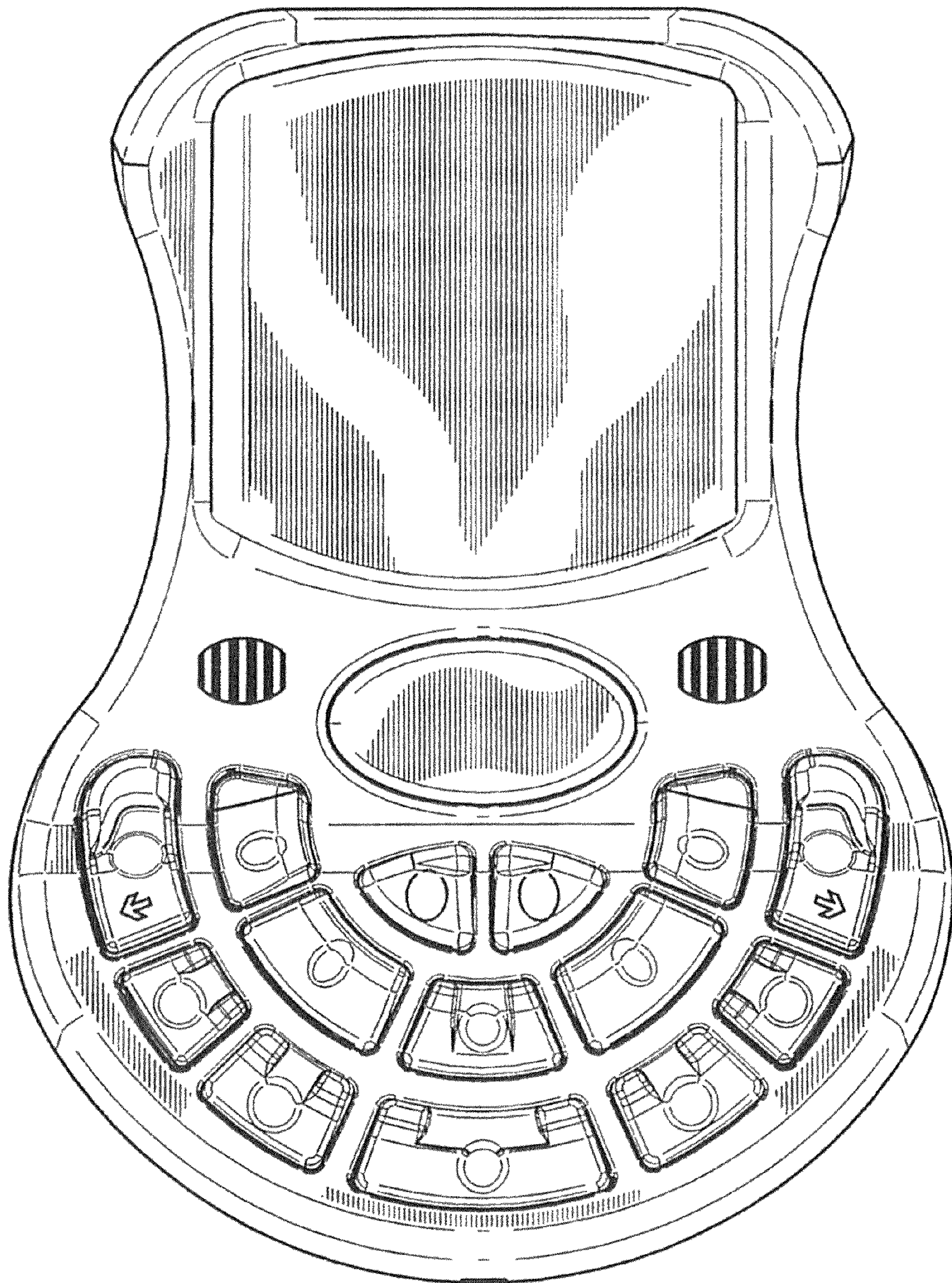


FIG. 1

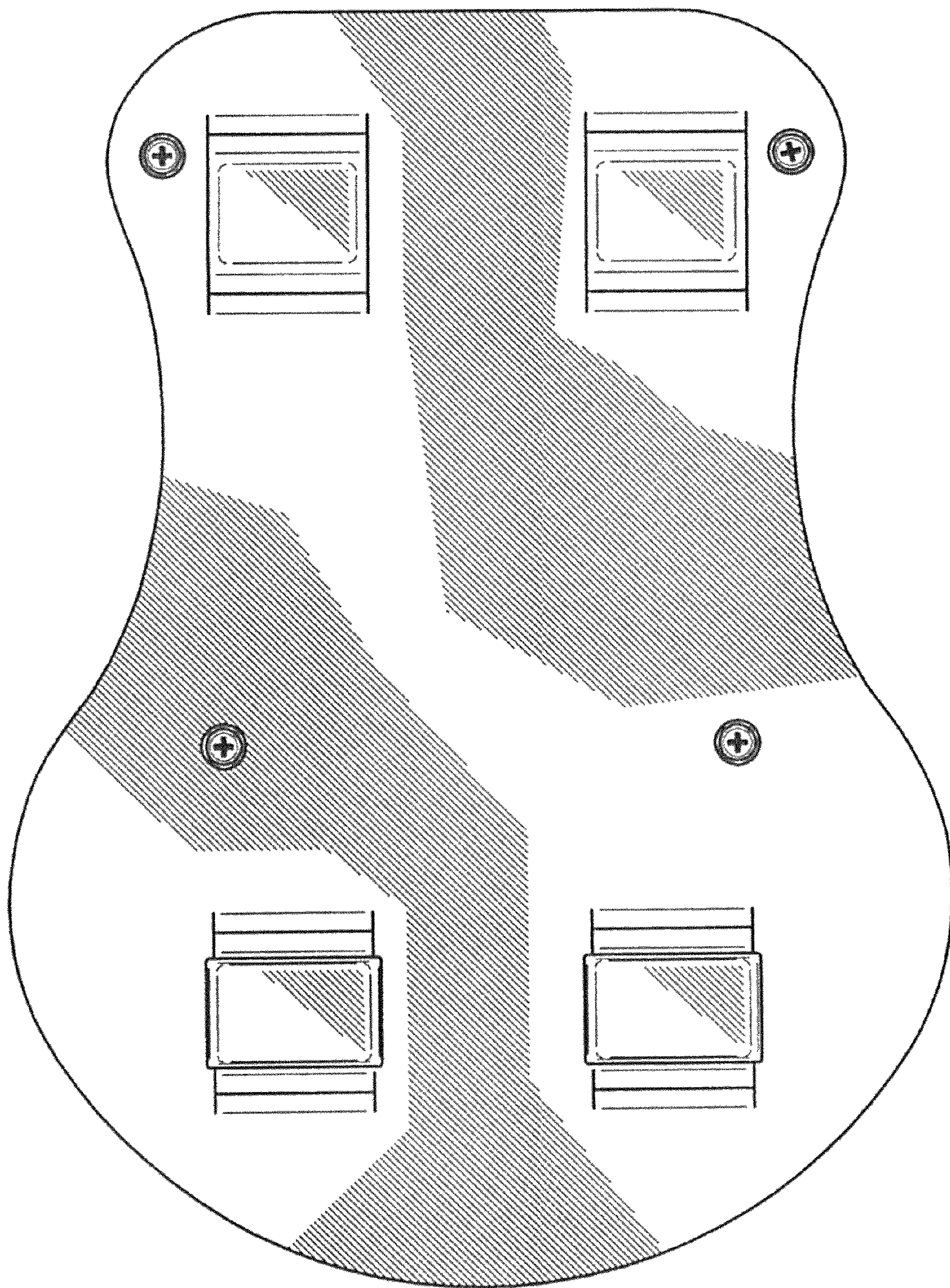


FIG. 2

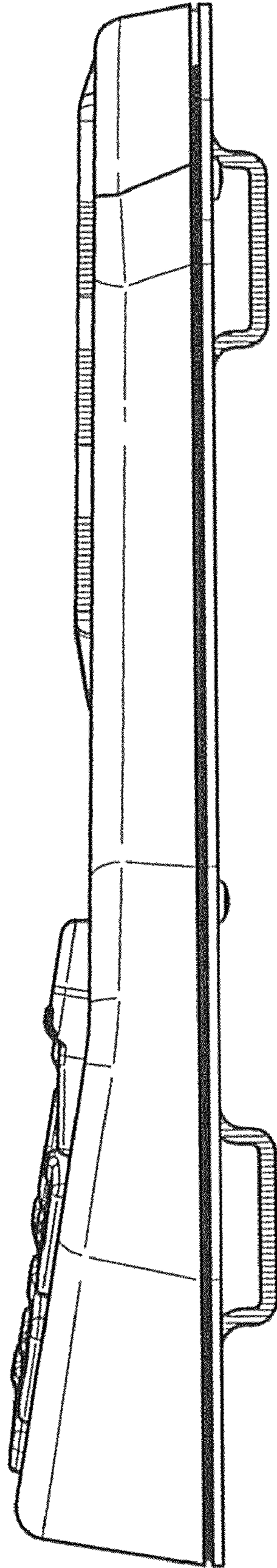


FIG. 3

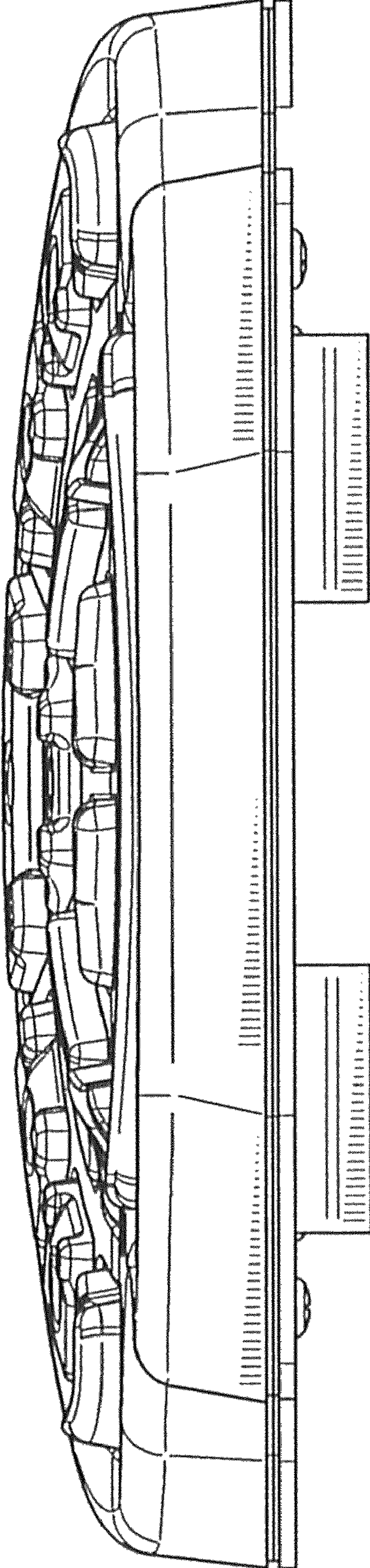


FIG. 4

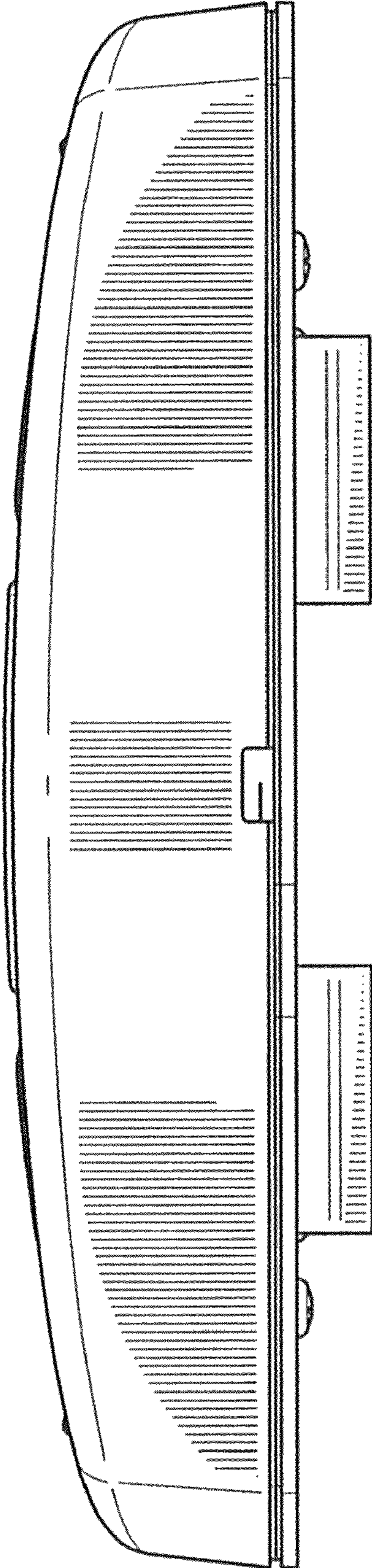


FIG. 5

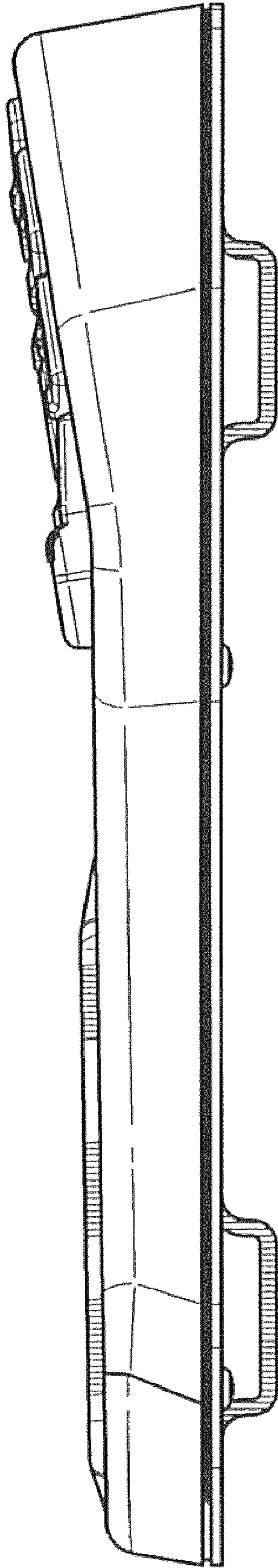


FIG. 6

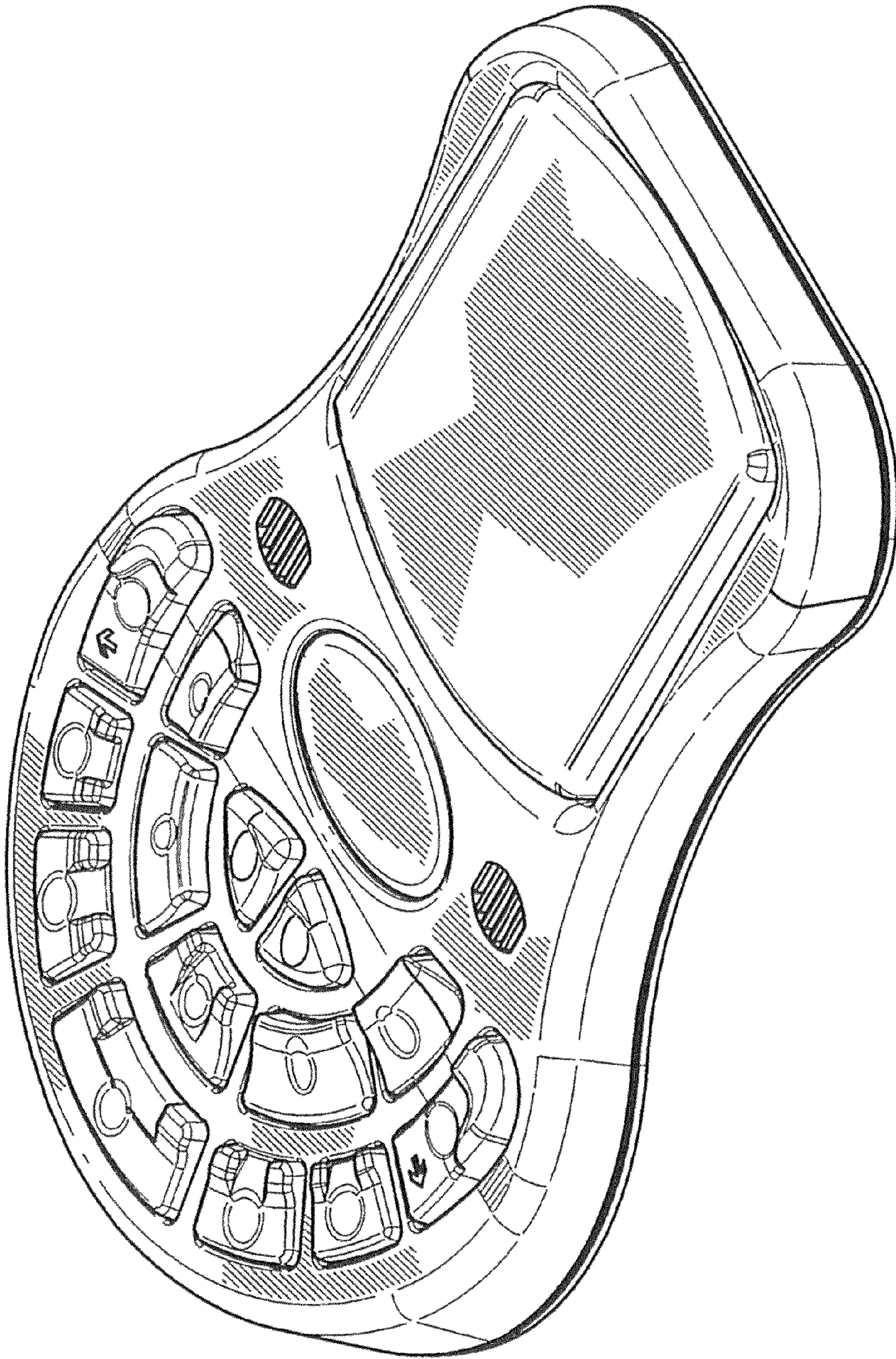


FIG. 7