

US00D636393S

(12) **United States Design Patent**  
**Kowal**

(10) **Patent No.:** **US D636,393 S**  
(45) **Date of Patent:** **\*\* Apr. 19, 2011**

(54) **MOBILE DEVICE**

(76) Inventor: **David P. Kowal**, Shawnee, KS (US)

(\*\*) Term: **14 Years**

(21) Appl. No.: **29/343,110**

(22) Filed: **Sep. 8, 2009**

(51) **LOC (9) Cl.** ..... **14-02**

(52) **U.S. Cl.** ..... **D14/346**

(58) **Field of Classification Search** ..... D14/341,  
D14/342, 343, 344, 345, 346, 347, 426, 427,  
D14/428, 430, 431, 496, 125, 126, 129, 130,  
D14/137, 203.1, 203.3, 203.4, 203.5, 203.6,  
D14/203.7, 138 R, 138 AA, 138 AB, 138 AC,  
D14/138 C, 138 AD, 138 G; D21/324, 329,  
D21/330, 331, 333; D18/7; D10/65; 455/556.1,  
455/556.2, 575.4, 575.1; 345/901; 361/679.55,  
361/679.56; 348/552; 379/428.01, 433.04,  
379/433.12, 908, 910, 916

See application file for complete search history.

(56) **References Cited**

U.S. PATENT DOCUMENTS

- D552,125 S \* 10/2007 Egawa ..... D14/496
- D563,938 S \* 3/2008 Kim et al. .... D14/138 AD
- D573,125 S \* 7/2008 Lee ..... D14/138 AB
- D594,454 S \* 6/2009 Honda ..... D14/345
- D598,017 S \* 8/2009 Gambaro ..... D14/345
- D602,901 S \* 10/2009 Eguchi et al. .... D14/138 G
- D606,961 S \* 12/2009 Aarras ..... D14/138 AD
- D607,429 S \* 1/2010 Lim et al. .... D14/138 G
- 2007/0142101 A1 \* 6/2007 Seshagiri et al. .... 455/575.4
- 2008/0039157 A1 \* 2/2008 Park ..... 455/575.1

- 2008/0051161 A1 \* 2/2008 Tashiro ..... 455/575.1
- 2008/0076493 A1 \* 3/2008 Seo et al. .... 455/575.4
- 2008/0234014 A1 \* 9/2008 Kim et al. .... 455/575.4

\* cited by examiner

*Primary Examiner* — Angela J Lee

(74) *Attorney, Agent, or Firm* — Intellectual Property Center, LLC; Arthur K. Shaffer

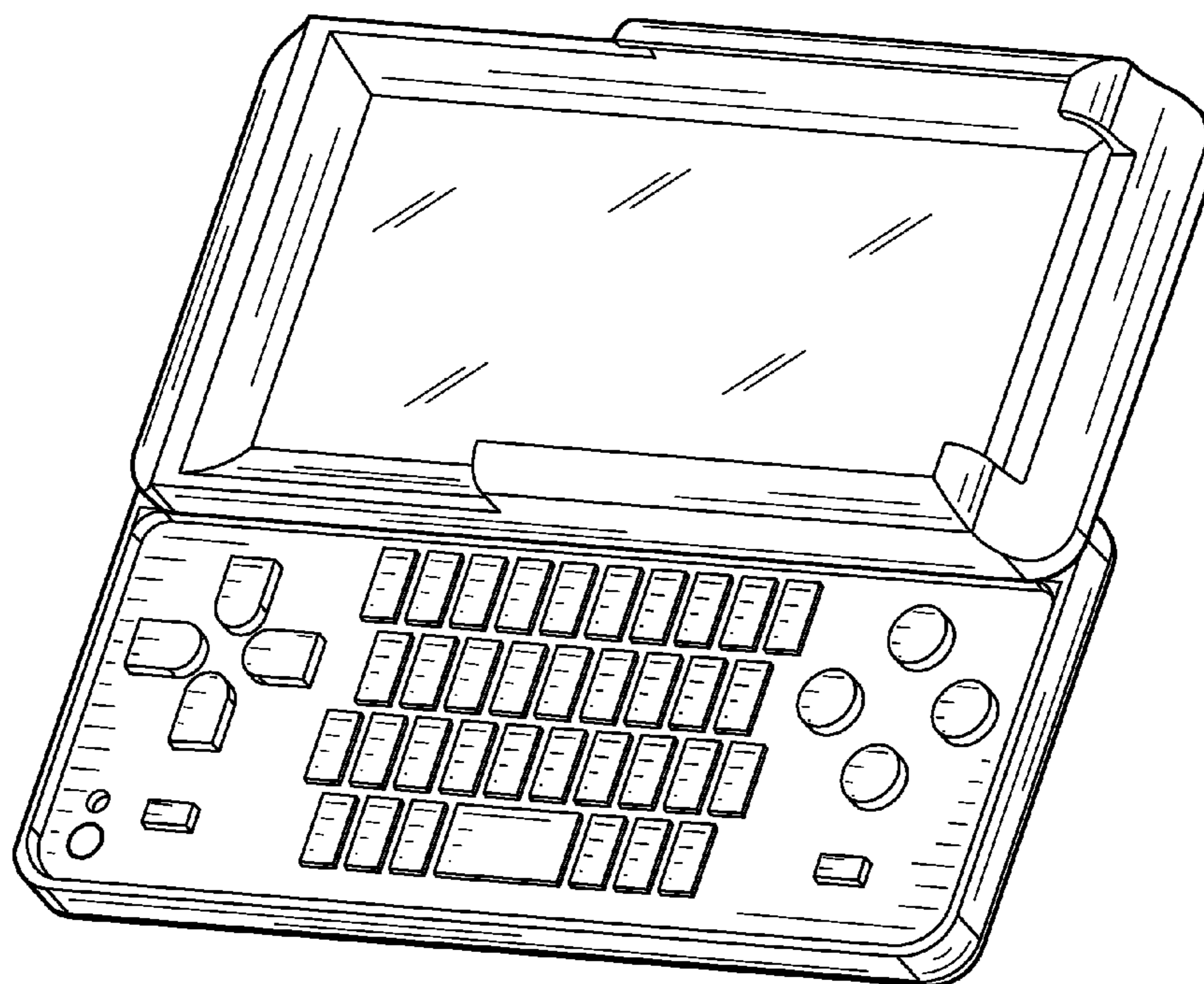
(57) **CLAIM**

The ornamental design for a mobile device, as shown and described.

**DESCRIPTION**

FIG. 1 is a front perspective view of a mobile device in an open orientation in accordance with the present invention; FIG. 2 is a front plan view of the mobile device of FIG. 1; FIG. 3 is a top plan view of the mobile device of FIG. 1; FIG. 4 is a left elevation of the mobile device of FIG. 1; FIG. 5 is a right elevation of the mobile device of FIG. 1; FIG. 6 is a back elevation view of the mobile device of FIG. 1; FIG. 7 is a bottom plan view of the mobile device of FIG. 1; and, FIG. 8 is a closed perspective view of the mobile device in accordance with an alternative orientation of the present invention. The unclaimed portions shown in broken lines in FIG. 6 are for illustrative purposes only and form no part of the claimed design.

**1 Claim, 5 Drawing Sheets**



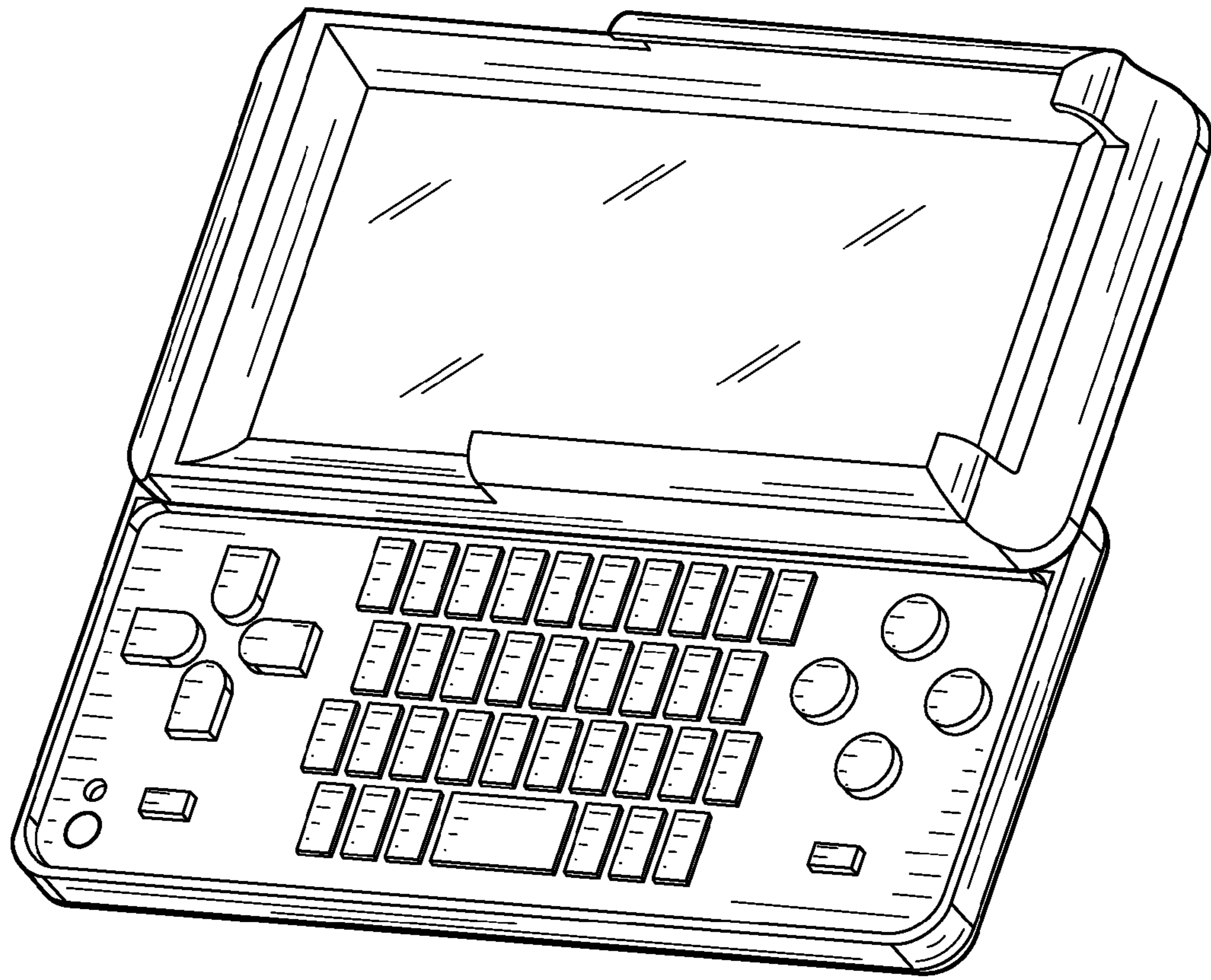


FIG.1

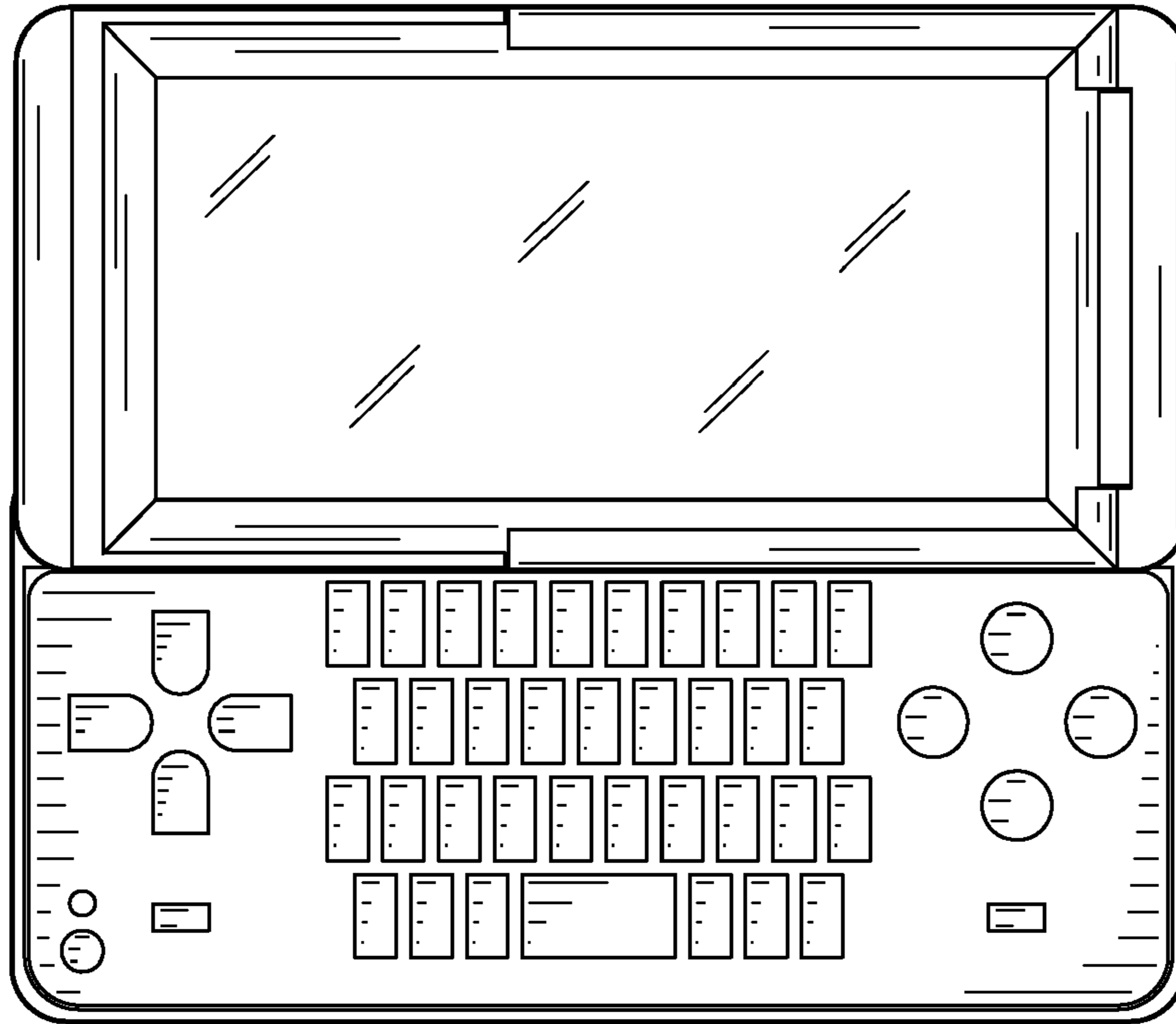


FIG. 2

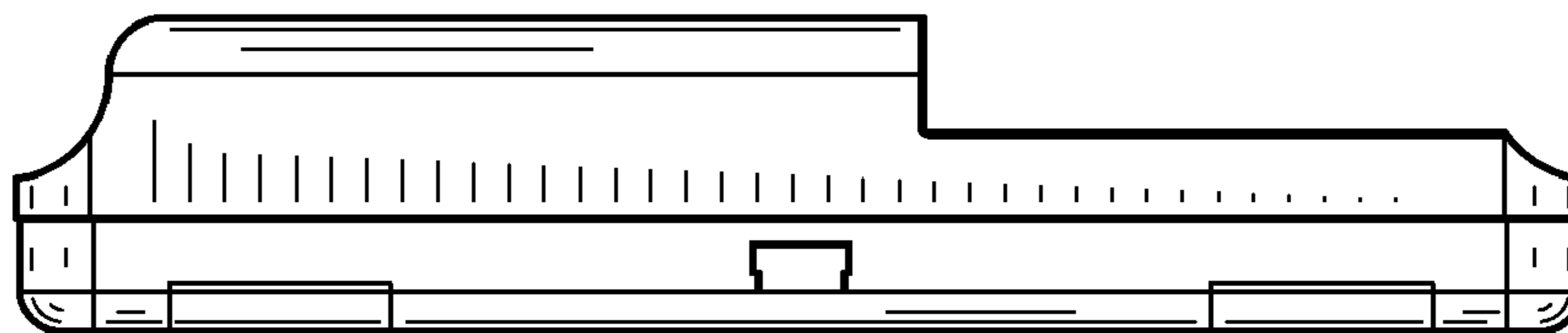


FIG. 3

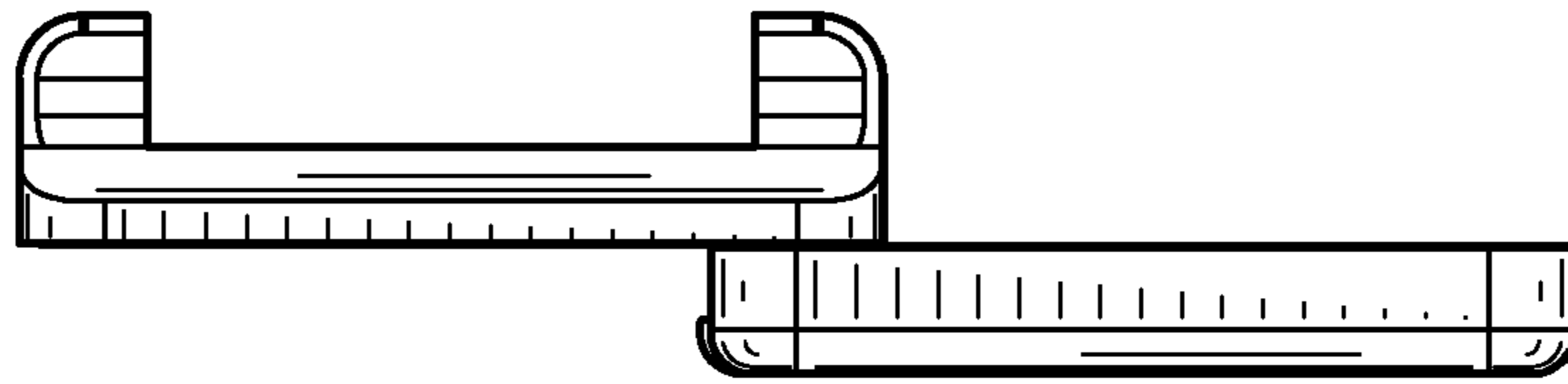


FIG. 4

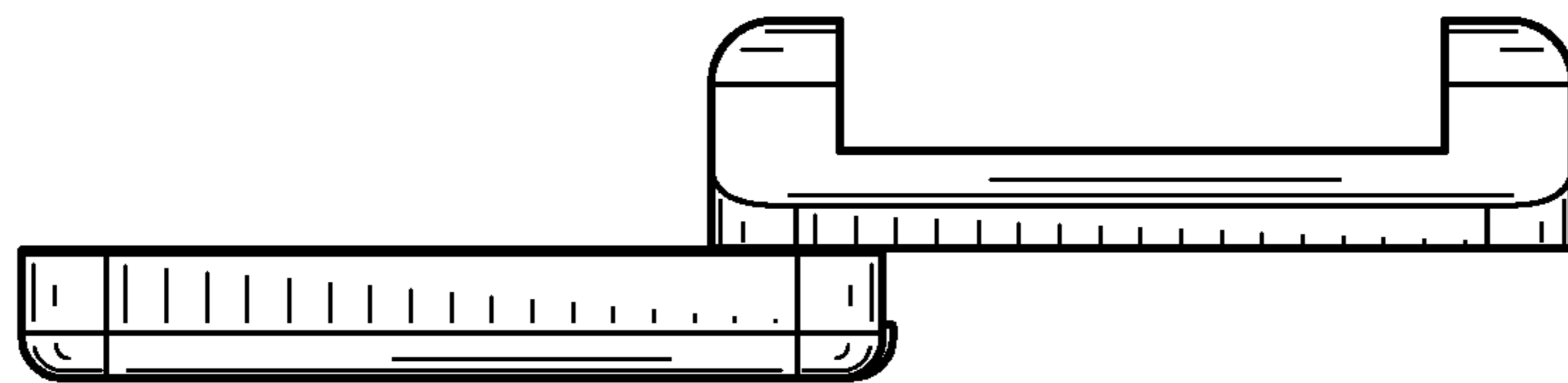


FIG. 5

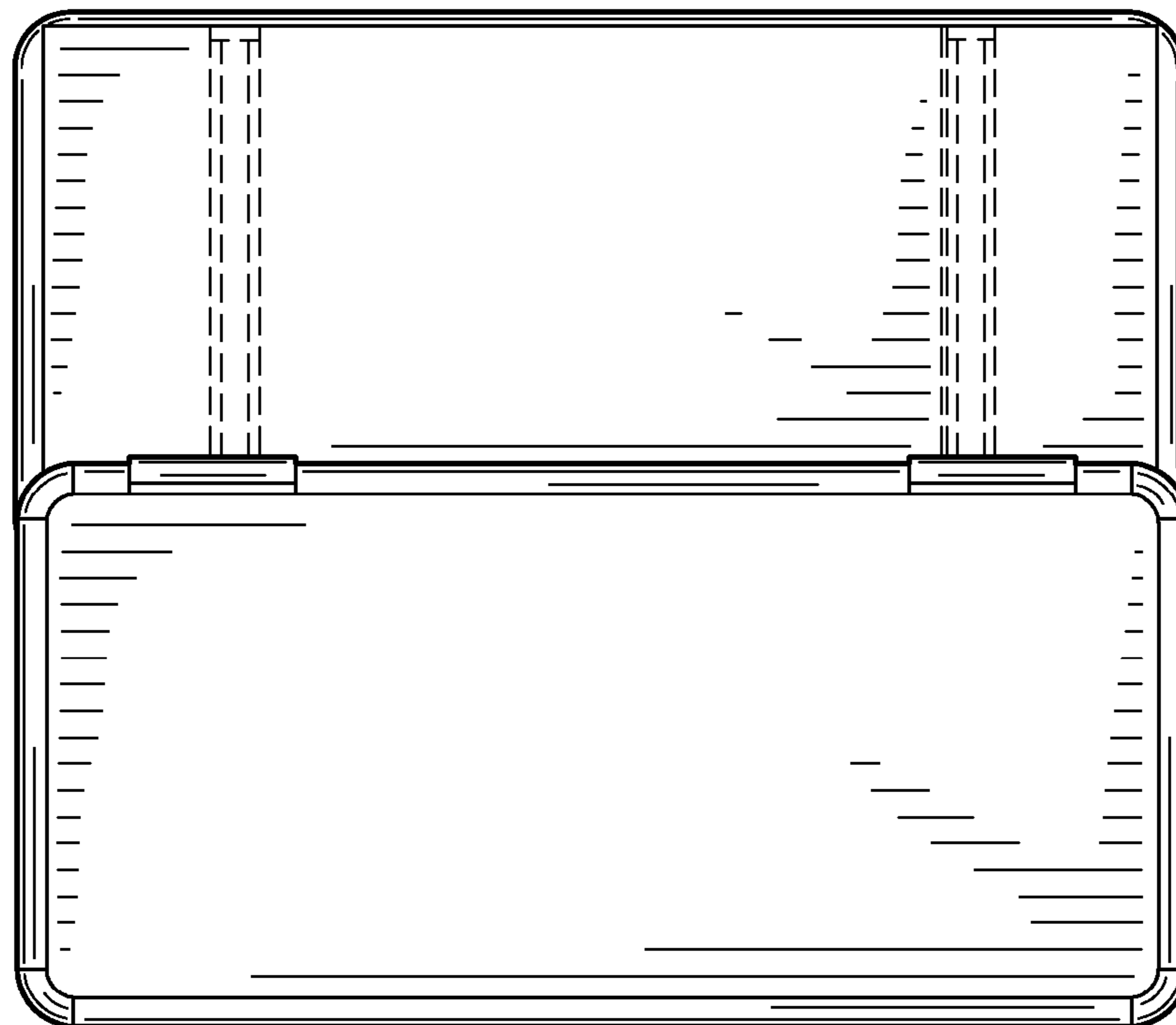


FIG. 6

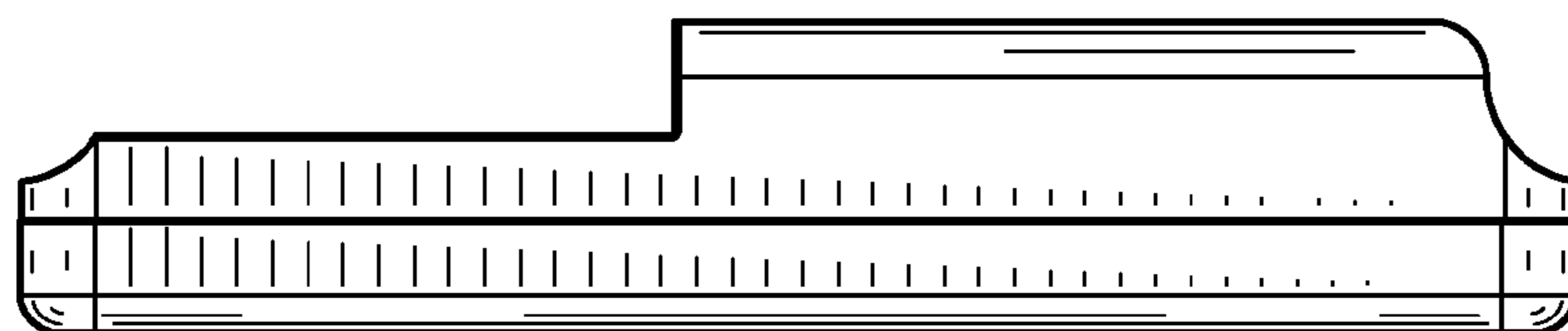


FIG. 7

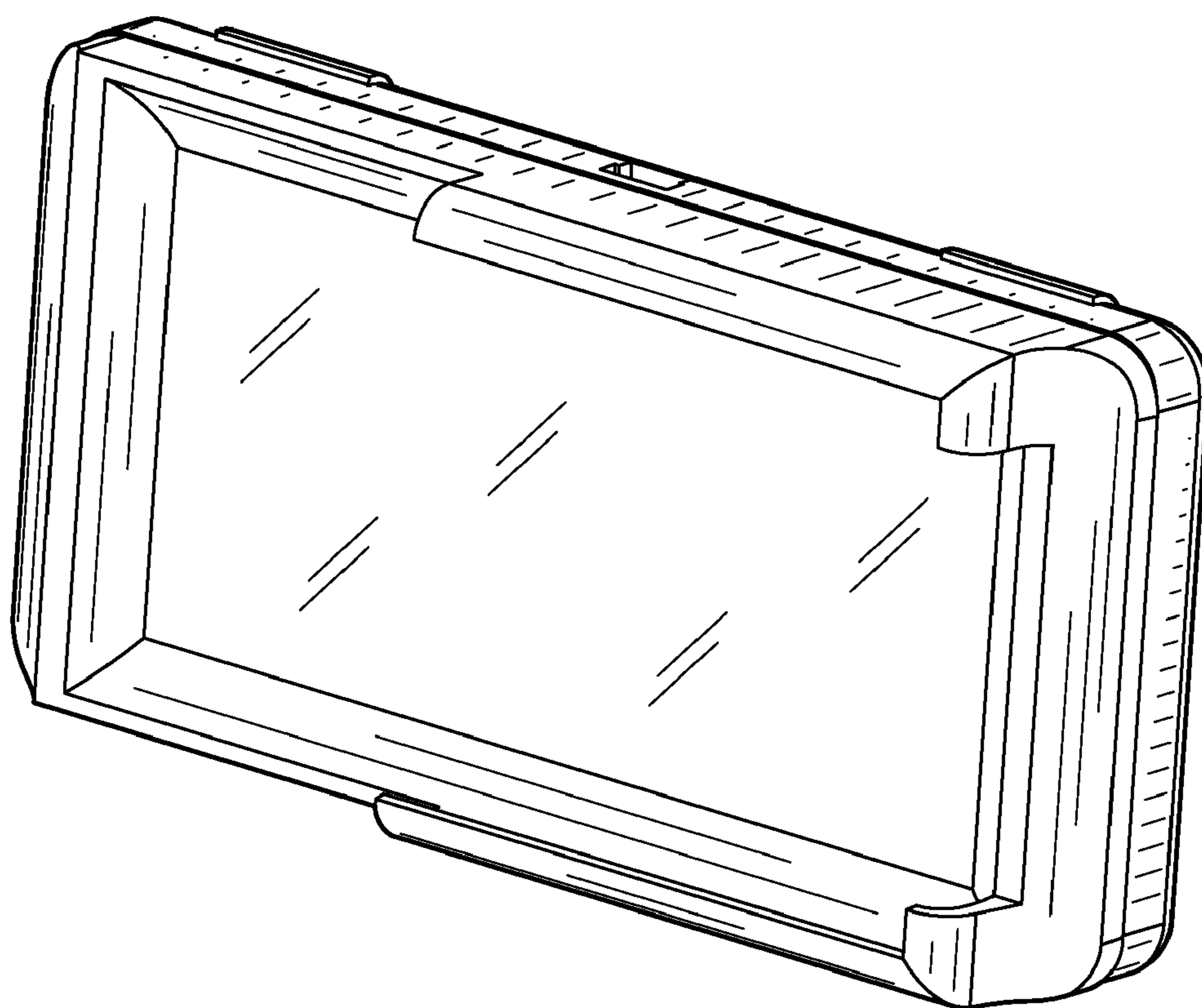


FIG. 8