



US00D636387S

(12) **United States Design Patent**
Willes et al.

(10) **Patent No.:** **US D636,387 S**
(45) **Date of Patent:** **** Apr. 19, 2011**

(54) **CASE**

(75) Inventors: **Stephen Willes**, Fort Collins, CO (US);
Travis Smith, Fort Collins, CO (US)

(73) Assignee: **Otter Products, LLC**, Fort Collins, CO
(US)

(**) Term: **14 Years**

(21) Appl. No.: **29/377,278**

(22) Filed: **Oct. 19, 2010**

(51) **LOC (9) Cl.** **14-03**

(52) **U.S. Cl.** **D14/250**

(58) **Field of Classification Search** D14/250,
D14/440; D3/201, 218, 269, 301, 273; D13/103;
220/4.02; 224/191, 240, 241, 245, 682-683;
248/309.1; 361/679.56; 379/426, 433.11,
379/455; 455/575.1, 575.8; 190/100; 206/305,
206/320

See application file for complete search history.

(56) **References Cited**

U.S. PATENT DOCUMENTS

D556,681 S *	12/2007	Kim	D13/103
D563,093 S *	3/2008	Nussberger	D3/201
D565,291 S *	4/2008	Brandenburg et al.	D3/218
D593,746 S *	6/2009	Richardson et al.	D3/201
D600,908 S *	9/2009	Richardson et al.	D3/218
D606,529 S *	12/2009	Ferrari et al.	D14/250
D609,463 S *	2/2010	Bullen	D3/218
D613,282 S *	4/2010	Richardson et al.	D14/250
D615,077 S *	5/2010	Richardson et al.	D14/250
D615,535 S *	5/2010	Richardson et al.	D14/250
D617,784 S *	6/2010	Richardson et al.	D14/250
D617,785 S *	6/2010	Richardson et al.	D14/250
D617,786 S *	6/2010	Richardson et al.	D14/250

D619,130 S *	7/2010	Fellig	D14/250
D620,487 S *	7/2010	Richardson et al.	D14/250
D621,394 S *	8/2010	Richardson et al.	D14/250
D623,179 S *	9/2010	Richardson et al.	D14/250
D624,533 S *	9/2010	Richardson et al.	D14/250
D626,119 S *	10/2010	Fellig	D14/250
D626,120 S *	10/2010	Richardson et al.	D14/250
D628,568 S *	12/2010	Richardson et al.	D14/250
2009/0181729 A1 *	7/2009	Griffin et al.	455/575.1
2010/0203931 A1 *	8/2010	Hynecek et al.	455/575.8
2010/0224519 A1 *	9/2010	Kao	206/320
2010/0300909 A1 *	12/2010	Hung	206/320

* cited by examiner

Primary Examiner — Robert M Spear
Assistant Examiner — Carla Jobe Wright

(57) **CLAIM**

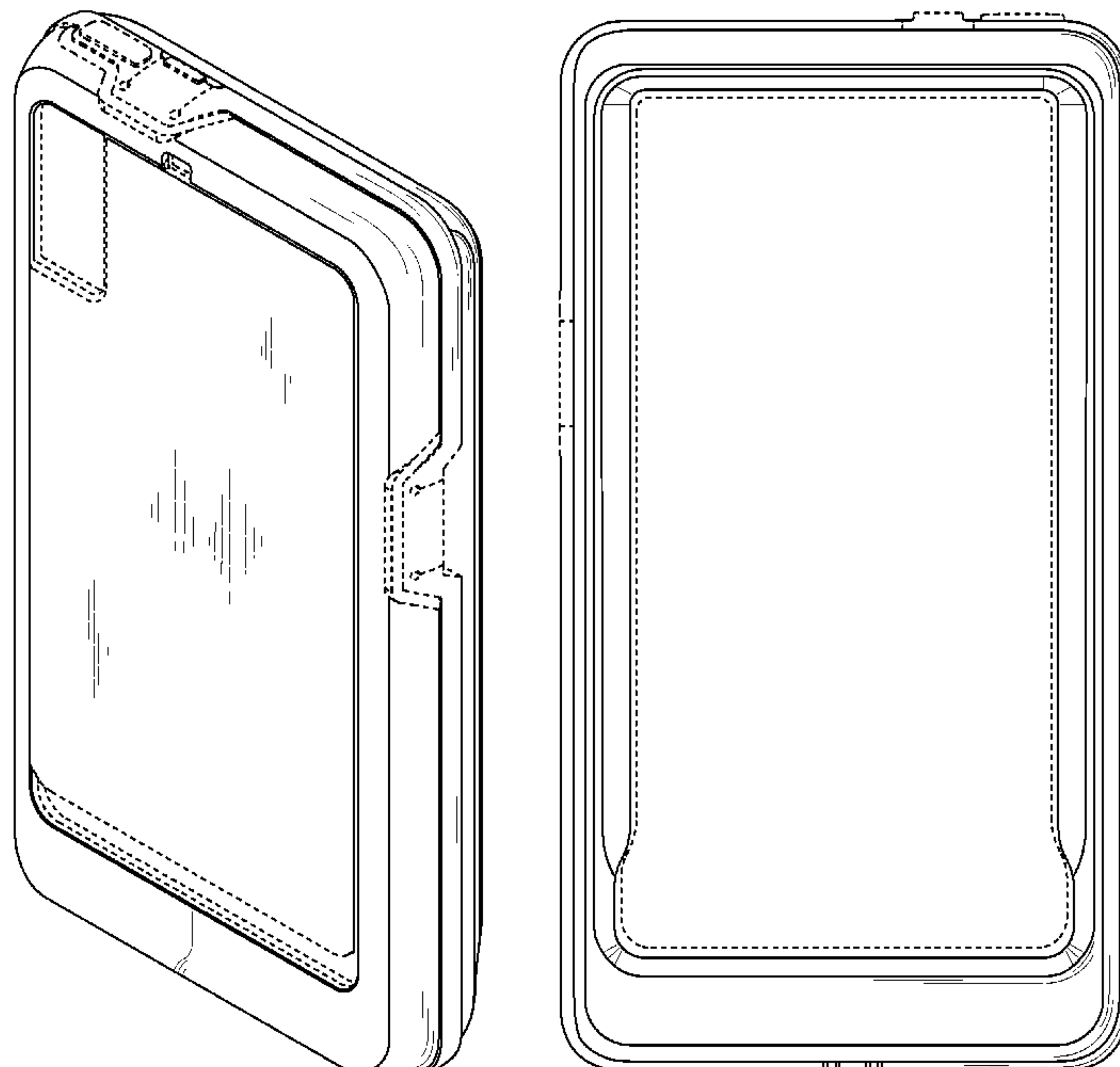
The ornamental design for a case, as shown and described.

DESCRIPTION

FIG. 1 is a front isometric view of a case showing our new design;
FIG. 2 is a rear isometric view thereof;
FIG. 3 is a front view thereof;
FIG. 4 is a rear view thereof;
FIG. 5 is a left view thereof;
FIG. 6 is a right view thereof;
FIG. 7 is a top view thereof; and,
FIG. 8 is a bottom view thereof.

The broken line perimeter of the large unshaded rectangular region on the front of the case in FIGS. 1 and 3 represents a boundary of the claimed design. All other broken lines depict unclaimed environment. The broken lines and unshaded regions bounded by broken lines form no part of the claimed design.

1 Claim, 6 Drawing Sheets



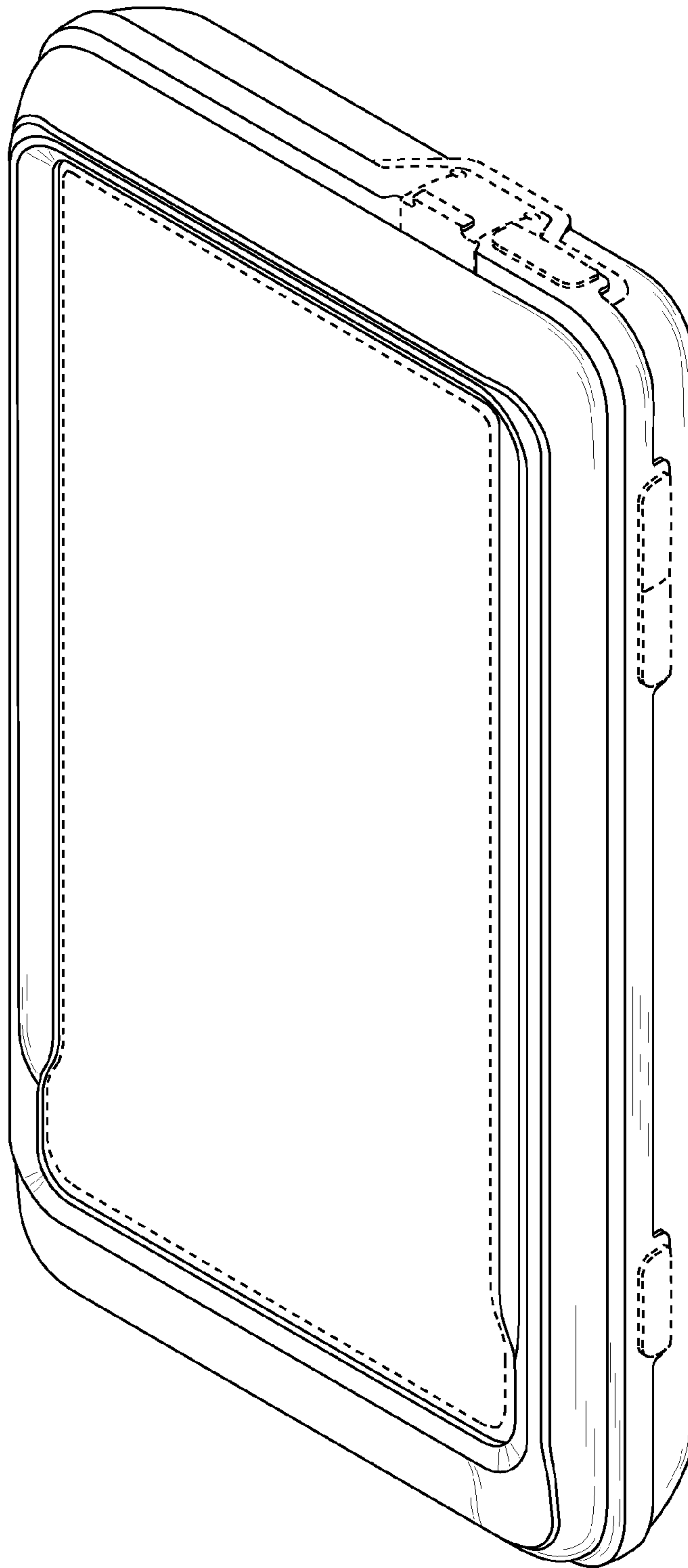


FIG. 1

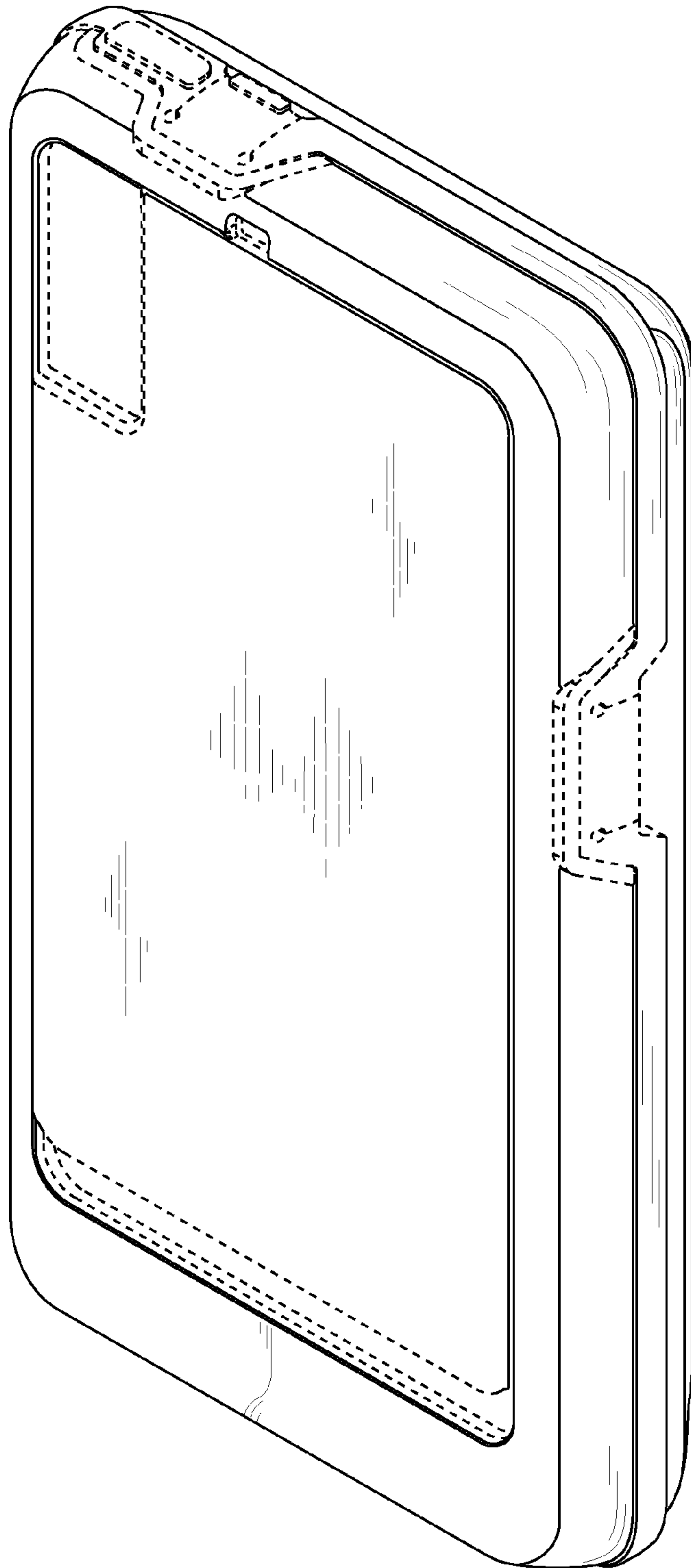


FIG. 2

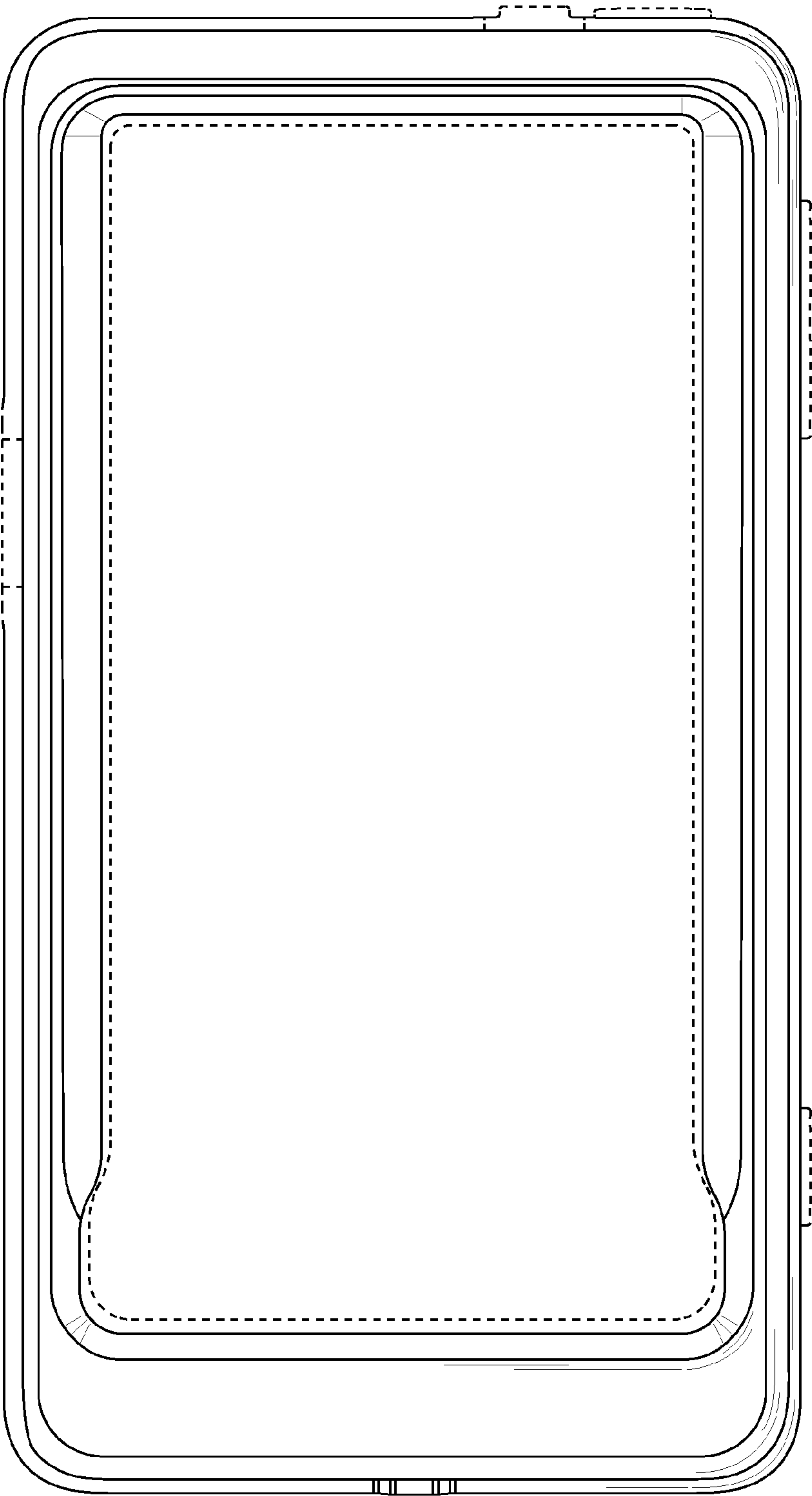


FIG. 3

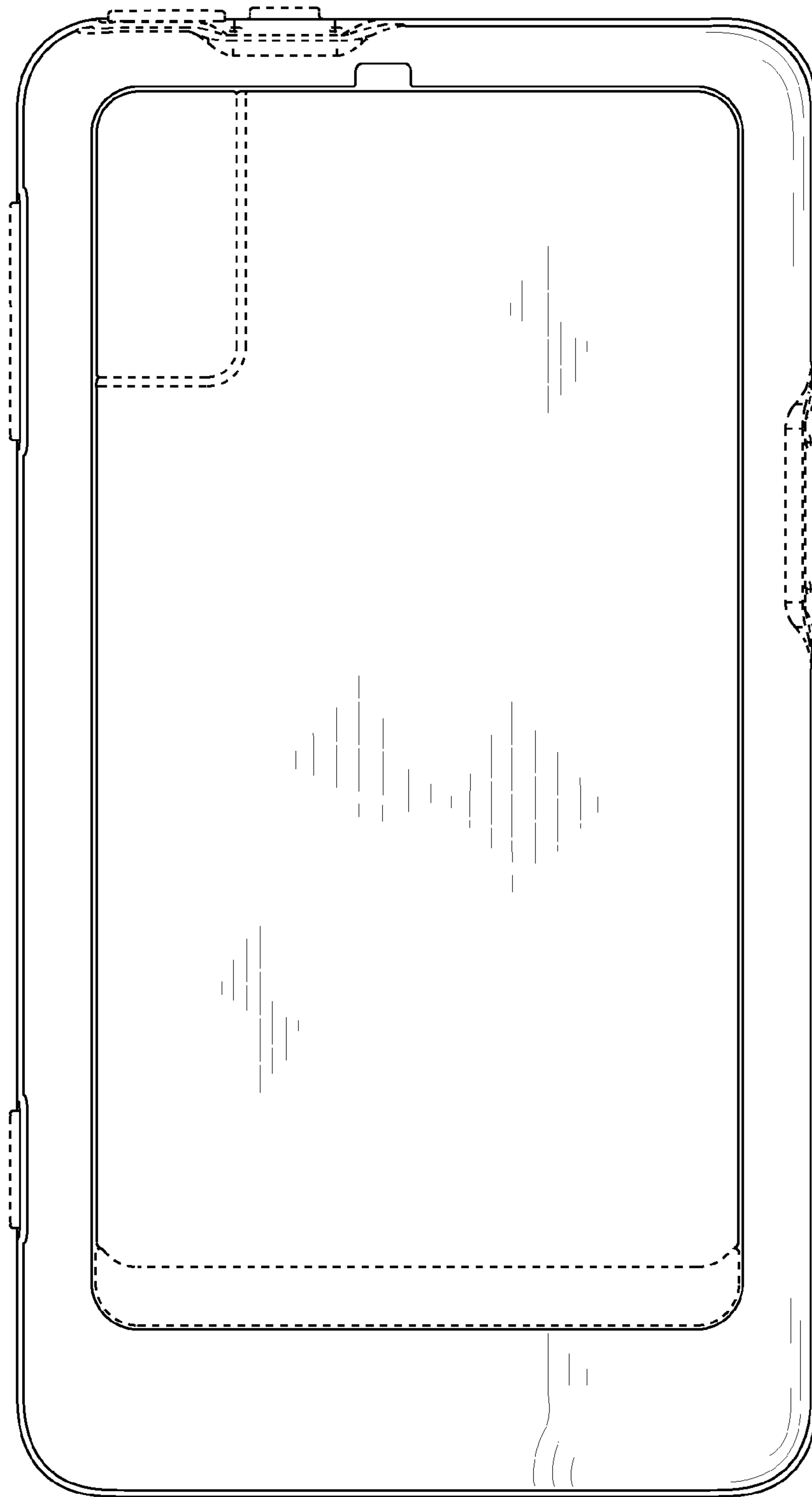


FIG. 4

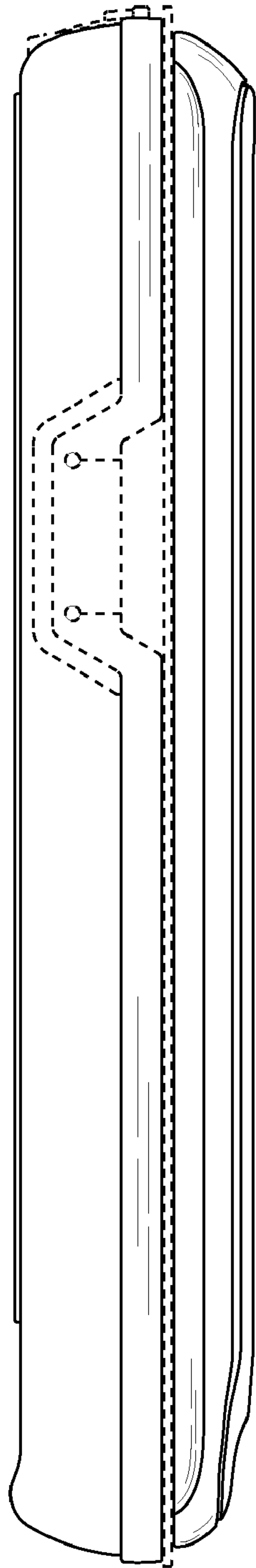


FIG. 5

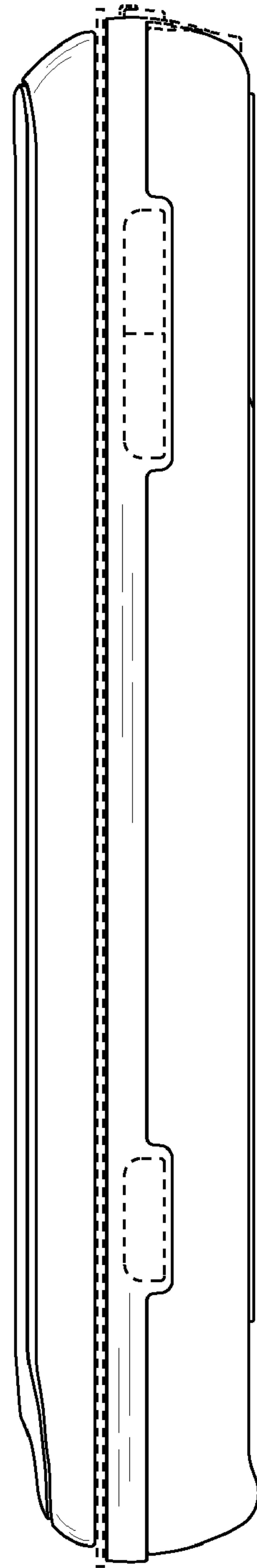


FIG. 6

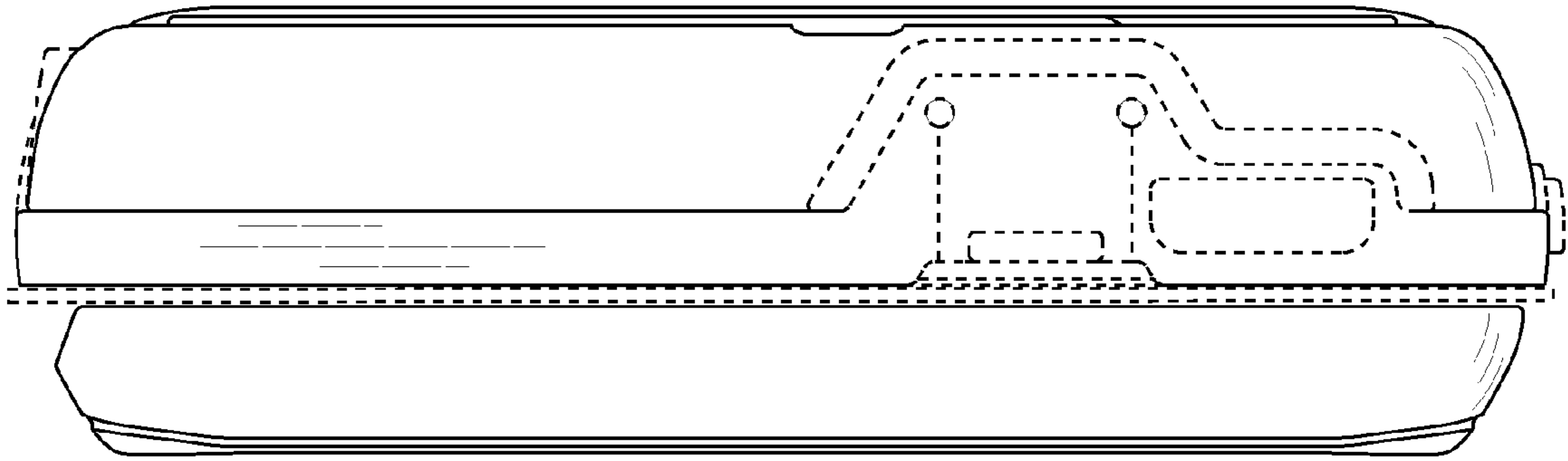


FIG. 7

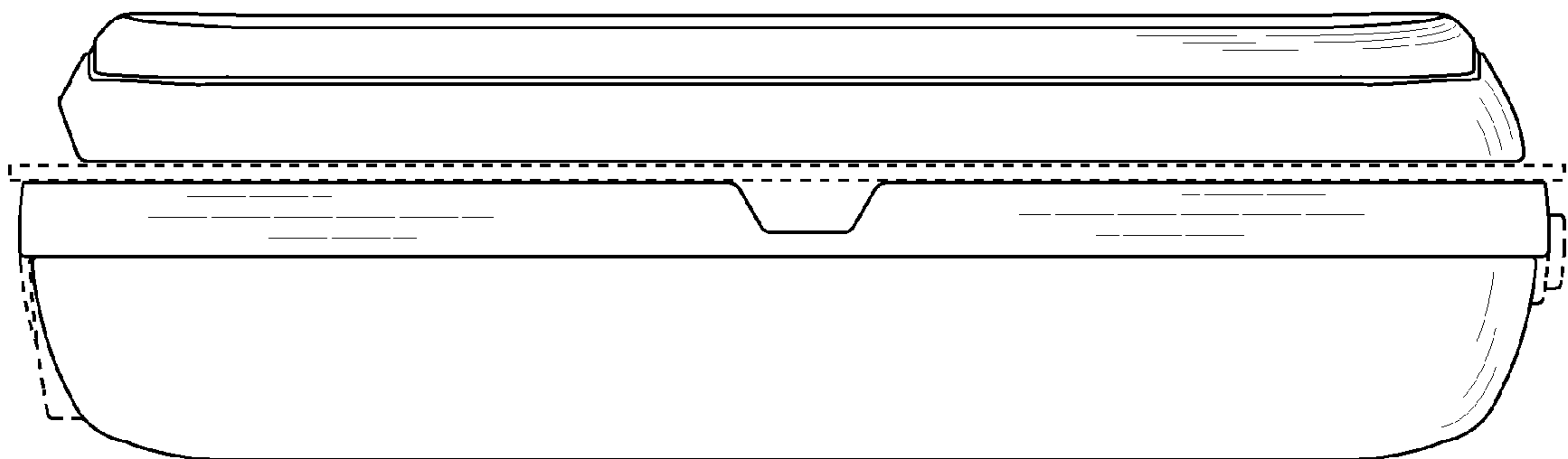


FIG. 8