



US00D636385S

(12) **United States Design Patent**  
**Weightman et al.**

(10) **Patent No.:** **US D636,385 S**

(45) **Date of Patent:** **\*\* Apr. 19, 2011**

(54) **HANDSET**

(75) Inventors: **Christopher Weightman**, London (GB);  
**Casper Asmussen**, Malmo (SE)

(73) Assignee: **Nokia Corporation**, Espoo (FI)

(\*\*) Term: **14 Years**

(21) Appl. No.: **29/379,226**

(22) Filed: **Nov. 16, 2010**

D589,484 S	3/2009	Nenonen	
D589,948 S *	4/2009	Shi .....	D14/248
D591,281 S *	4/2009	Nenonen .....	D14/248
D592,203 S *	5/2009	Moss .....	D14/248
D595,282 S *	6/2009	Kitade et al. ....	D14/248
D595,707 S	7/2009	Miles et al.	
D597,539 S *	8/2009	Nenonen .....	D14/248
D597,540 S	8/2009	Schellen	
D598,419 S *	8/2009	Shi .....	D14/138 AA
D599,337 S	9/2009	Miles et al.	
D601,531 S	10/2009	Lee et al.	
D605,620 S	12/2009	Asmussen	

(Continued)

**Related U.S. Application Data**

(63) Continuation of application No. 29/360,159, filed on  
Apr. 21, 2010, now Pat. No. Des. 627,757.

(51) **LOC (9) Cl.** ..... **14-03**

(52) **U.S. Cl.** ..... **D14/248; D14/138 AA**

(58) **Field of Classification Search** ..... D14/138 AA,  
D14/138 AB, 138 R, 138 AD, 138 AC, 138 G,  
D14/341, 345, 346, 203.4, 203.7, 203.1, 203.3,  
D14/496, 248; 455/575.3, 575.1, 575.4,  
455/556.2; 379/433.01, 433.04, 433.1, 433.13;  
D21/517

See application file for complete search history.

(56) **References Cited**

**U.S. PATENT DOCUMENTS**

D515,541 S	2/2006	Jensfelt	
D543,967 S	6/2007	Peng	
D545,800 S	7/2007	Ou et al.	
D546,806 S	7/2007	Cho et al.	
D548,219 S	8/2007	Hwang	
D554,633 S *	11/2007	Park et al. ....	D14/248
D556,172 S *	11/2007	Jung et al. ....	D14/138 AA
D560,630 S	1/2008	Mitchell et al.	
D561,153 S	2/2008	Hong et al.	
D570,834 S *	6/2008	Cobb .....	D14/248
D577,351 S	9/2008	Kim et al.	
D579,910 S	11/2008	Fan et al.	
D582,374 S	12/2008	Hu et al.	
D583,352 S *	12/2008	Son et al. ....	D14/138 AA
D588,087 S	3/2009	Stone	
D588,567 S	3/2009	Miles et al.	

**OTHER PUBLICATIONS**

Nokia C2-01 telephone, announced Nov. 2010, [online], [site visited  
Dec. 12, 2010]. Available from Internet ,<URL: <http://www.gsmarena.com>>.\*

(Continued)

*Primary Examiner* — Jeffrey D. Asch

(74) *Attorney, Agent, or Firm* — Banner & Witcoff, Ltd.

(57)

**CLAIM**

The ornamental design for a handset, as shown and described.

**DESCRIPTION**

FIG. 1 is a perspective view of a handset showing our new design;

FIG. 2 is a front view thereof;

FIG. 3 is a rear view thereof;

FIG. 4 is a right side view thereof;

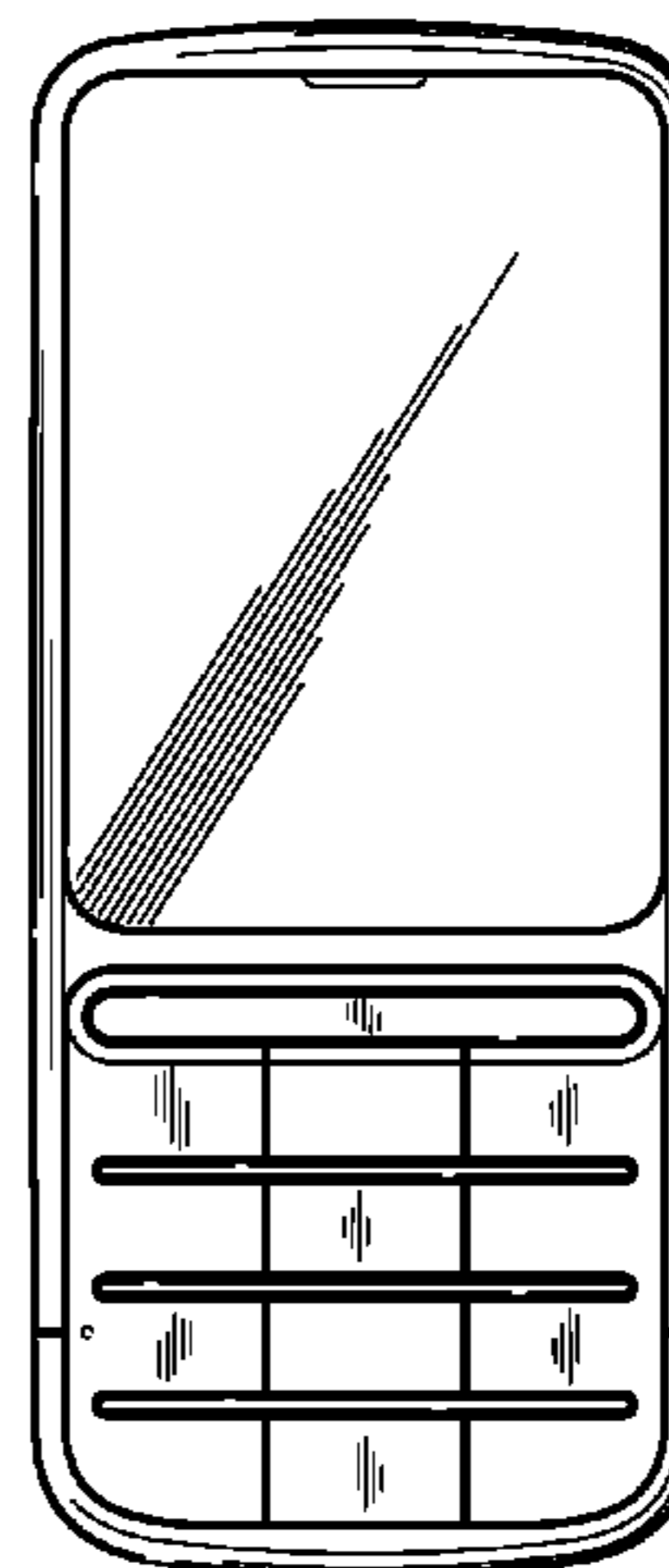
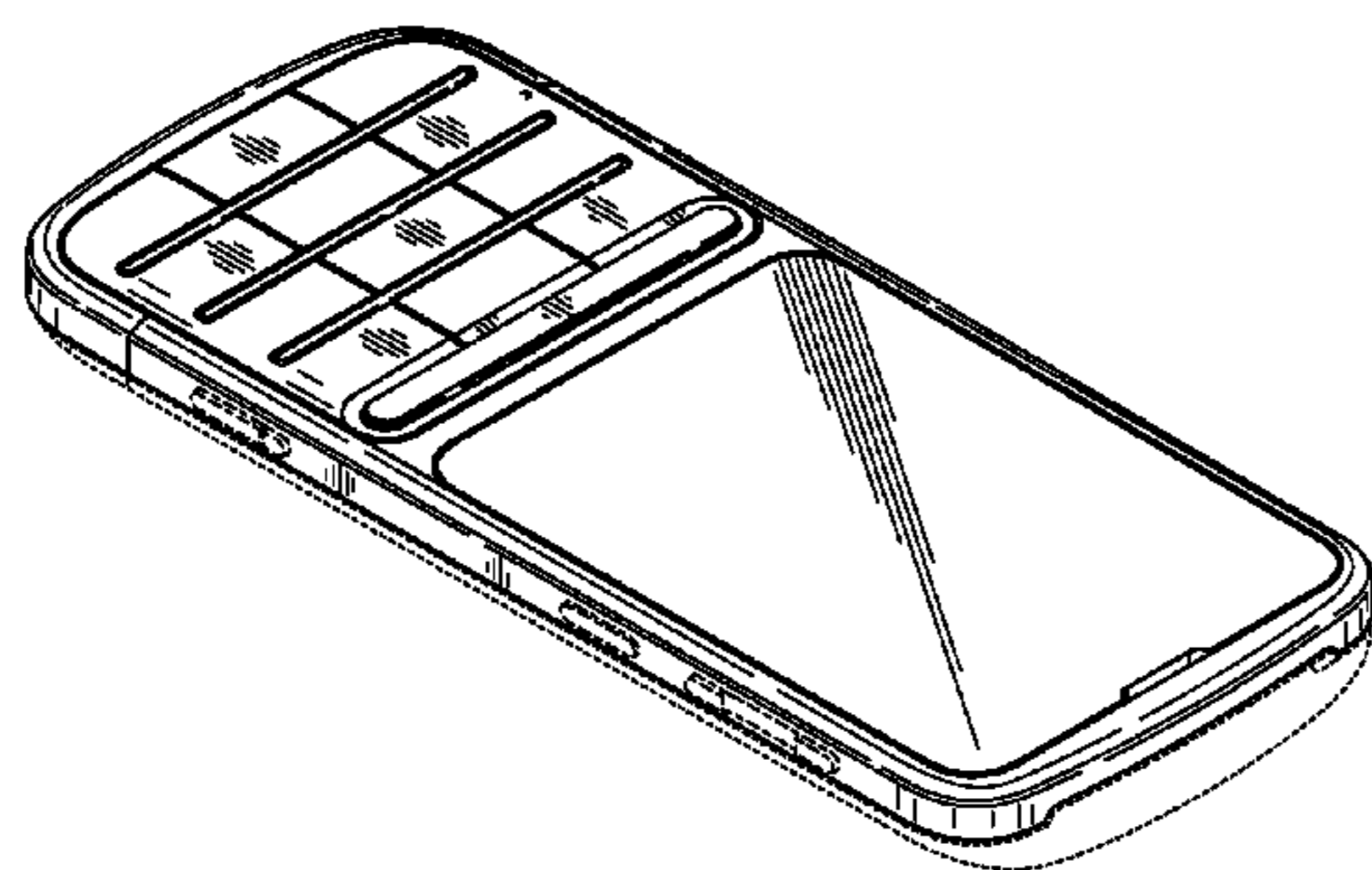
FIG. 5 is a left side view thereof;

FIG. 6 is a top view thereof; and,

FIG. 7 is a bottom view thereof.

The broken lines shown throughout the views that are immediately adjacent to the shaded areas, and define unshaded regions, represent the bounds of the claimed design, while all other broken lines are directed to environment and are for illustrative purposes only; the broken lines form no part of the claimed design.

**1 Claim, 4 Drawing Sheets**



U.S. PATENT DOCUMENTS

D606,039	S	12/2009	Henning	
D607,863	S	1/2010	Bang et al.	
D608,355	S	1/2010	Fahlgren et al.	
D608,752	S	1/2010	He	
D609,205	S	2/2010	Li et al.	
D609,207	S	2/2010	Leung et al.	
D610,118	S	2/2010	Boucquey et al.	
D610,564	S	2/2010	Schellen	
D617,292	S	6/2010	Chen et al.	
D617,299	S	6/2010	Tzeng et al.	
D617,300	S	6/2010	Tzeng et al.	
D617,752	S	6/2010	Montin	
D627,757	S *	11/2010	Weightman et al.	.. D14/138 AA
D628,178	S *	11/2010	Cai .....	D14/138 AA
D628,185	S *	11/2010	Ng .....	D14/138 AA
2007/0287302	A1	12/2007	Lindberg et al.	

OTHER PUBLICATIONS

Nokia 3109 Classic, Nokia Corporation, 1 color sheet of photographs, disclosed on or about May 2007.  
 Nokia 5030, Nokia Corporation, 1 color sheet of photographs, disclosed on or about Mar. 2009.

Nokia 5130 XpressMusic, Nokia Corporation, 1 color sheet of photographs, disclosed on or about Feb. 2009.  
 Nokia 6080, Nokia Corporation, 1 color sheet of photographs, disclosed on or about Jun. 2006.  
 Nokia 7210 Supernova, Nokia Corporation, 1 color sheet of photographs, disclosed on or about Jun. 2008.  
 Nokia 5610 XpressMusic, Nokia Corporation, 1 color sheet of photographs, disclosed on or about Aug. 2007.  
 Nokia C3-01 Touch and Type telephone, announced Sep. 2010, [online], [site visited Nov. 16, 2010]. Available from Internet, <URL: <http://www.gsmarena.com>>.  
 Nokia 6700 classic telephone, announced Jan. 2009, [online], [site visited Nov. 10, 2010]. Available from Internet, <URL: <http://www.gsmarena.com>>.  
 Nokia 2700 classic telephone, announced Jan. 2009, [online], [site visited Nov. 10, 2010]. Available from Internet, <URL: <http://www.gsmarena.com>>.  
 Nokia C5 TD-SCMA telephone, announced Apr. 2010, [online], [site visited Nov. 10, 2010]. Available from Internet, <URL: <http://www.gsmarena.com>>.

\* cited by examiner

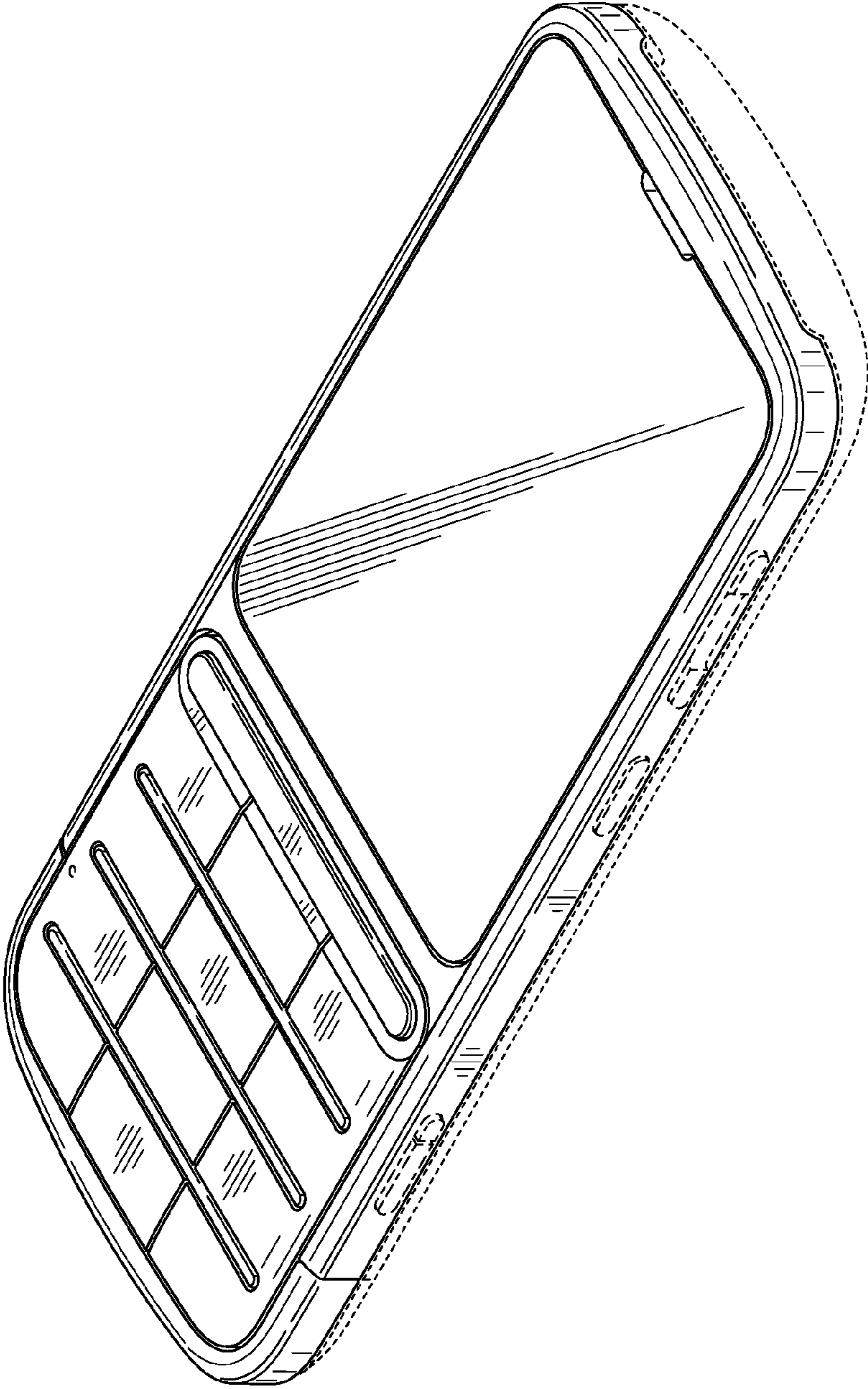


FIG. 1

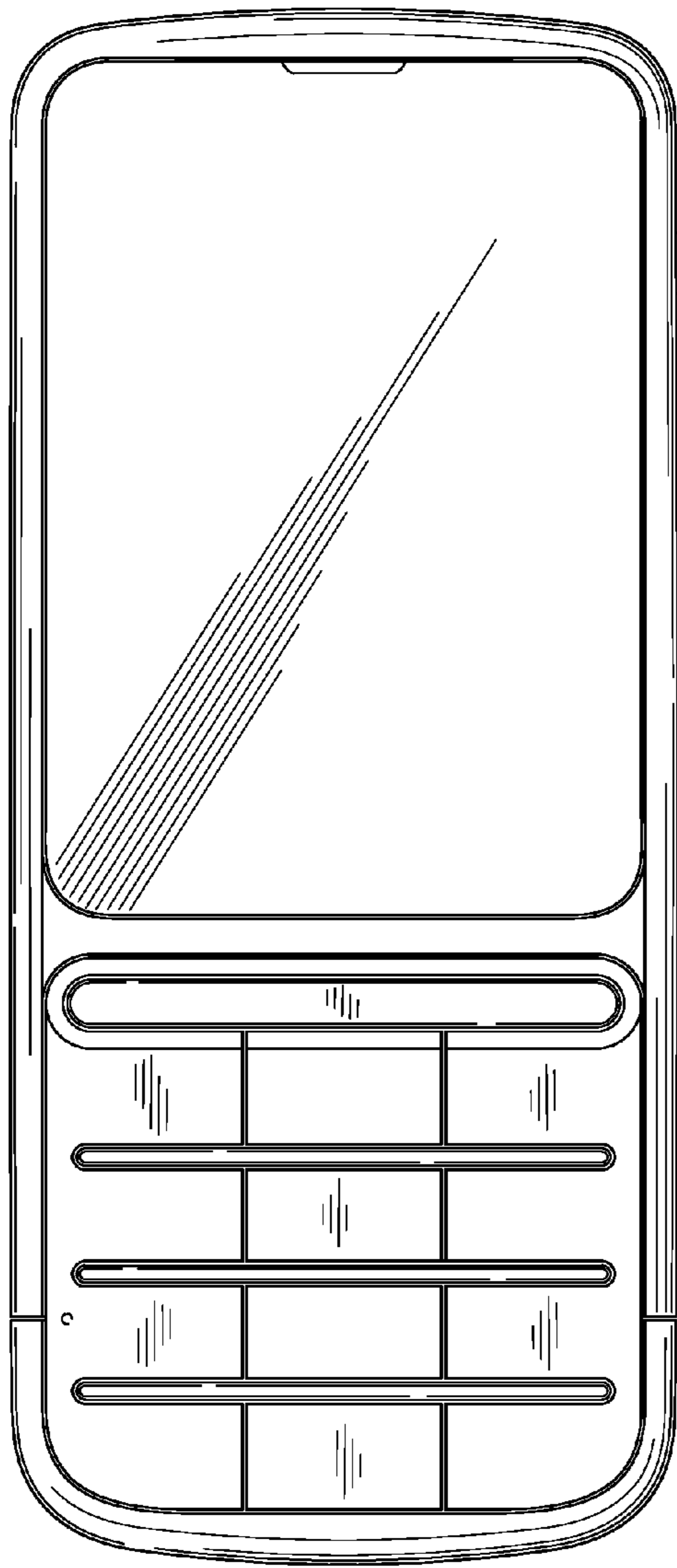


FIG. 2

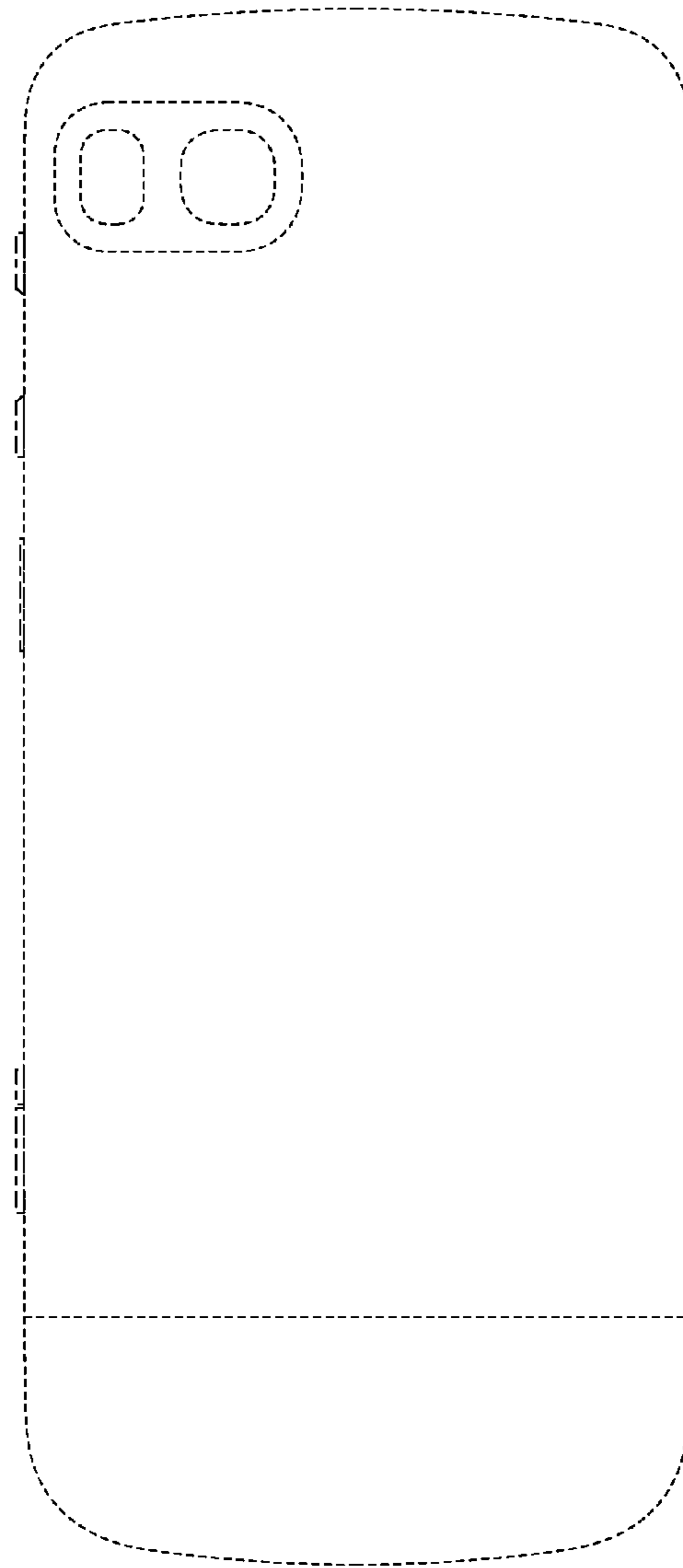


FIG. 3

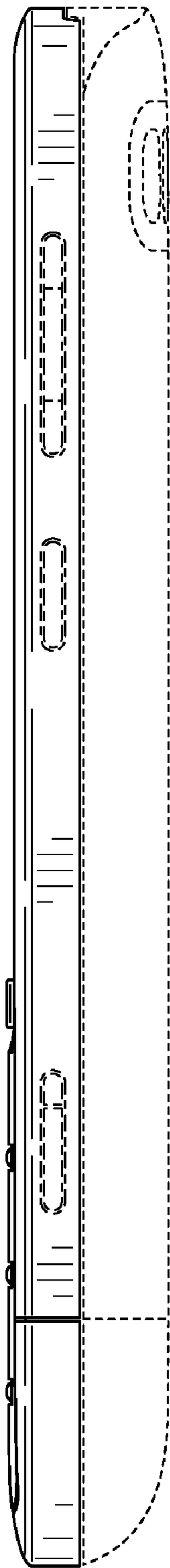


FIG. 4



FIG. 5

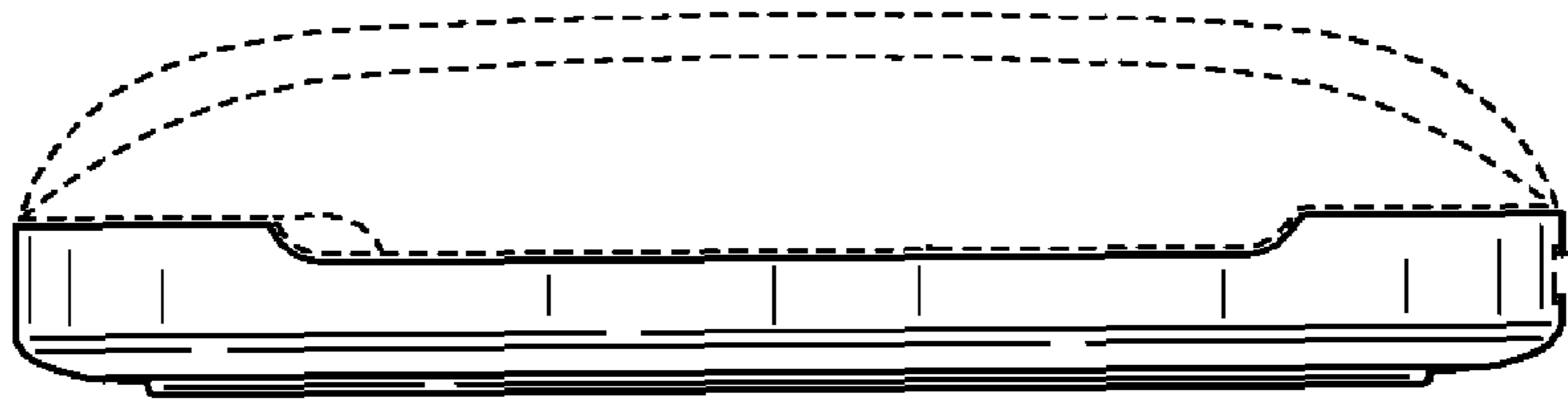


FIG. 6

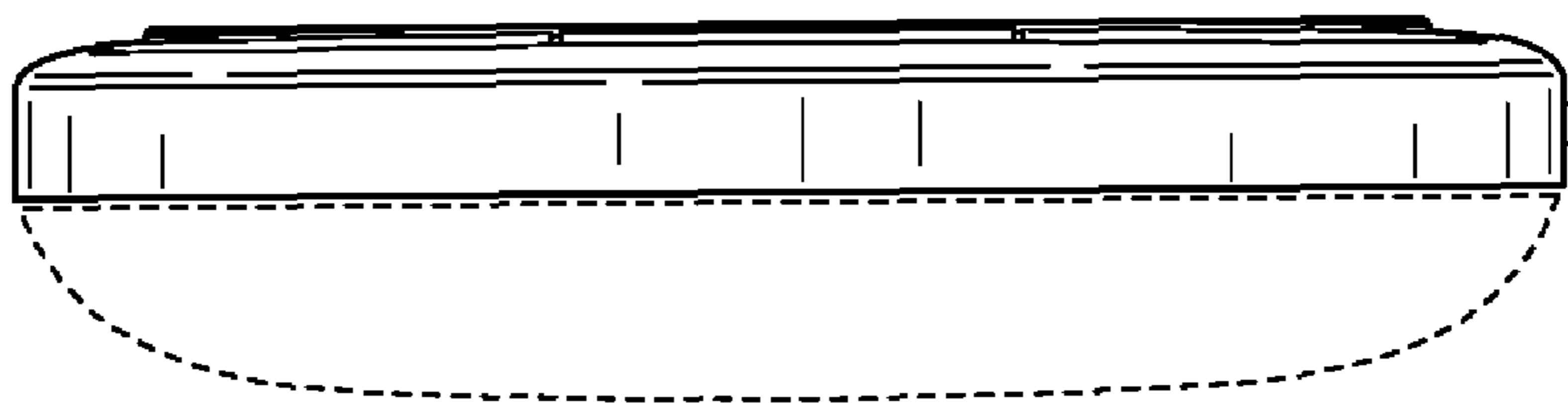


FIG. 7