



US00D636380S

(12) **United States Design Patent**
Valeur

(10) **Patent No.:** **US D636,380 S**

(45) **Date of Patent:** **** Apr. 19, 2011**

(54) **REMOTE CONTROL**

(75) Inventor: **Torsten Valeur**, Copenhagen V (DK)

(73) Assignee: **Bang & Olufsen a/s**, Struer (DK)

(**) Term: **14 Years**

(21) Appl. No.: **29/377,451**

(22) Filed: **Oct. 21, 2010**

(30) **Foreign Application Priority Data**

Sep. 24, 2010 (DK) DA 2010 00150

(51) **LOC (9) Cl.** **14-03**

(52) **U.S. Cl.** **D14/218**

(58) **Field of Classification Search** D14/218,
D14/455; D13/168; D21/566; D10/104,
D10/106; 345/169; 348/14.05, 114, 211.99,
348/734; 340/825.24; 341/22; 455/92, 95,
455/128, 151.1-151.4, 352, 355, FOR. 121;
700/65

See application file for complete search history.

(56) **References Cited**

U.S. PATENT DOCUMENTS

D327,690 S *	7/1992	Ogawa et al.	D14/230
D331,060 S *	11/1992	Emmons et al.	D14/218
D371,793 S *	7/1996	Patton	D14/218
D427,993 S *	7/2000	Seal	D14/218
D435,835 S *	1/2001	Steck	D13/168
D492,078 S *	6/2004	Syzdek	D34/28
D494,633 S *	8/2004	Nussberger et al.	D21/324
D496,004 S *	9/2004	Borsboom	D13/168
D497,882 S *	11/2004	Huang	D13/168

D512,417 S *	12/2005	Hirakawa et al.	D14/223
D518,030 S *	3/2006	Lin	D14/218
D519,569 S *	4/2006	Kiyono et al.	D21/333
D524,295 S *	7/2006	Jacobson et al.	D14/218
D526,973 S *	8/2006	Gates et al.	D13/184
D542,234 S *	5/2007	Shimizu	D13/168
D542,280 S *	5/2007	Taylor	D14/218
D596,622 S *	7/2009	Lee	D14/218
D601,564 S *	10/2009	Maeno	D14/400
D602,915 S *	10/2009	Song et al.	D14/218
D613,271 S *	4/2010	Painter	D14/218
D618,667 S *	6/2010	Chiu	D14/218
D625,295 S *	10/2010	Nogueira et al.	D14/218
D627,306 S *	11/2010	Charleux	D13/168

* cited by examiner

Primary Examiner — Celia A Murphy

Assistant Examiner — John Windmuller

(74) *Attorney, Agent, or Firm* — Buchanan Ingersoll & Rooney PC

(57) **CLAIM**

The ornamental design for a remote control, as shown and described.

DESCRIPTION

FIG. 1 is a front perspective view of a remote control showing my new design.

FIG. 2 is a rear perspective view thereof.

FIG. 3 is a front elevational view thereof.

FIG. 4 is a rear elevational view thereof.

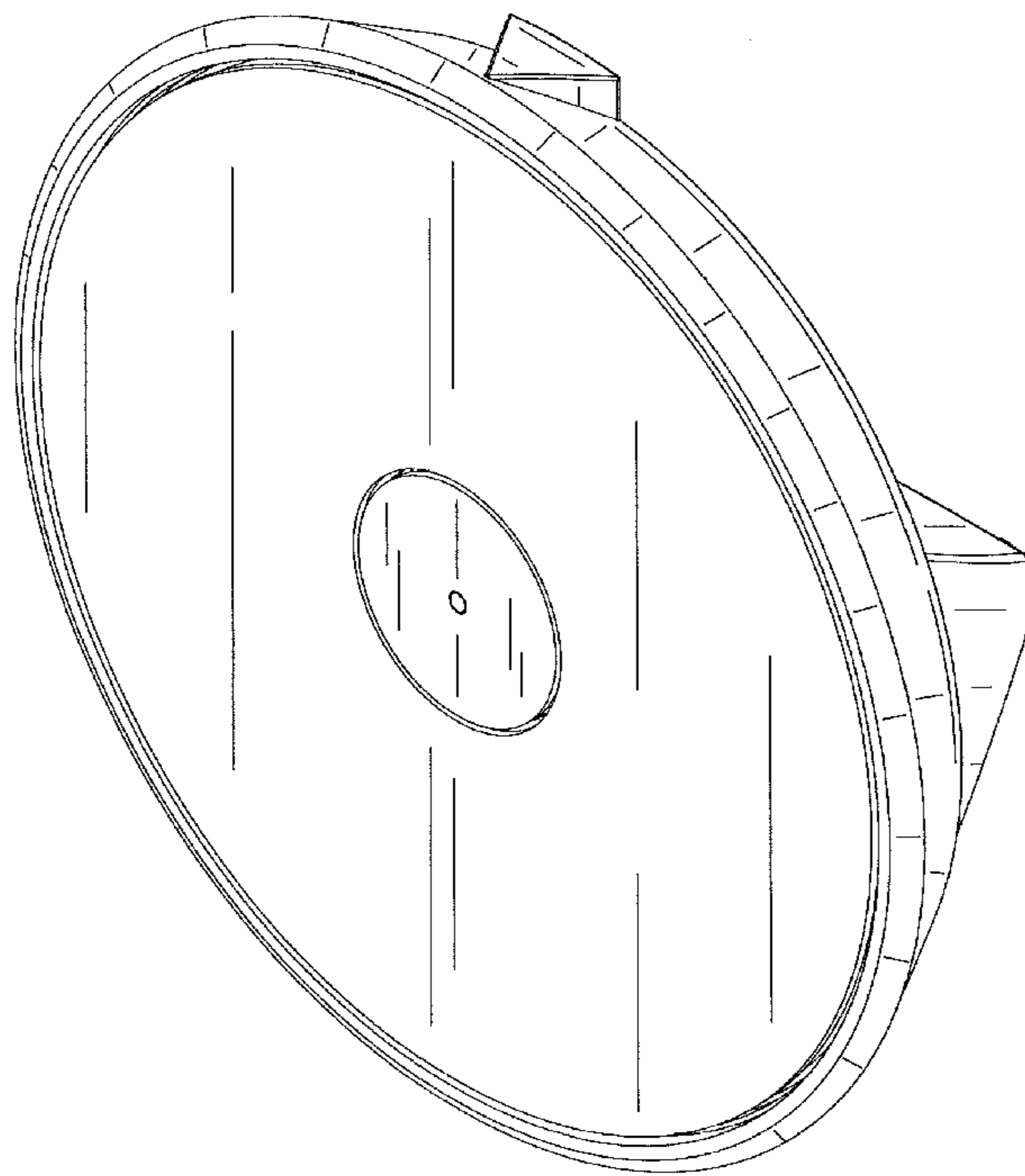
FIG. 5 is a right side elevational view thereof.

FIG. 6 is a left side elevational view thereof.

FIG. 7 is a top plan view thereof; and,

FIG. 8 is a bottom plan view thereof.

1 Claim, 7 Drawing Sheets



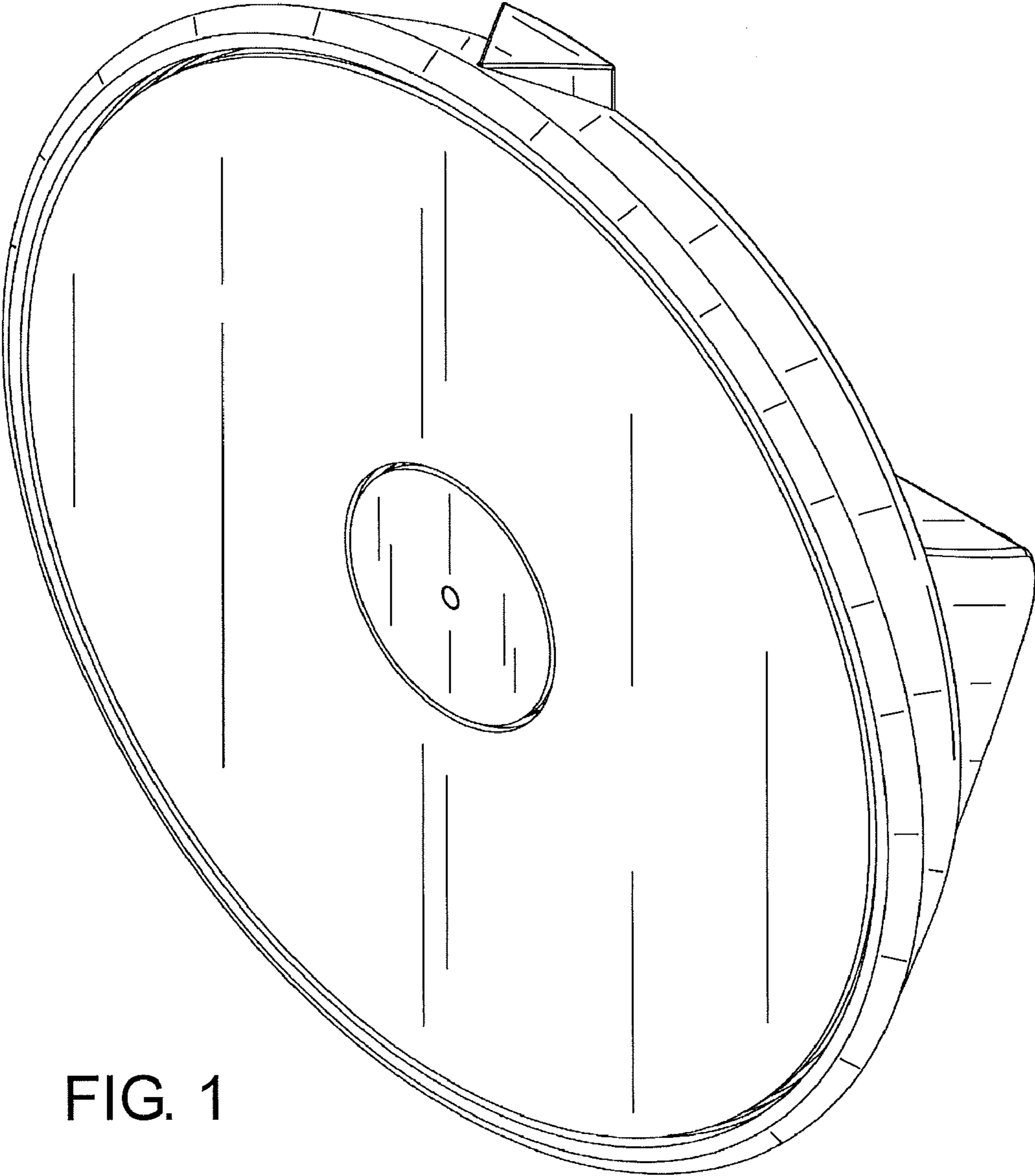


FIG. 1

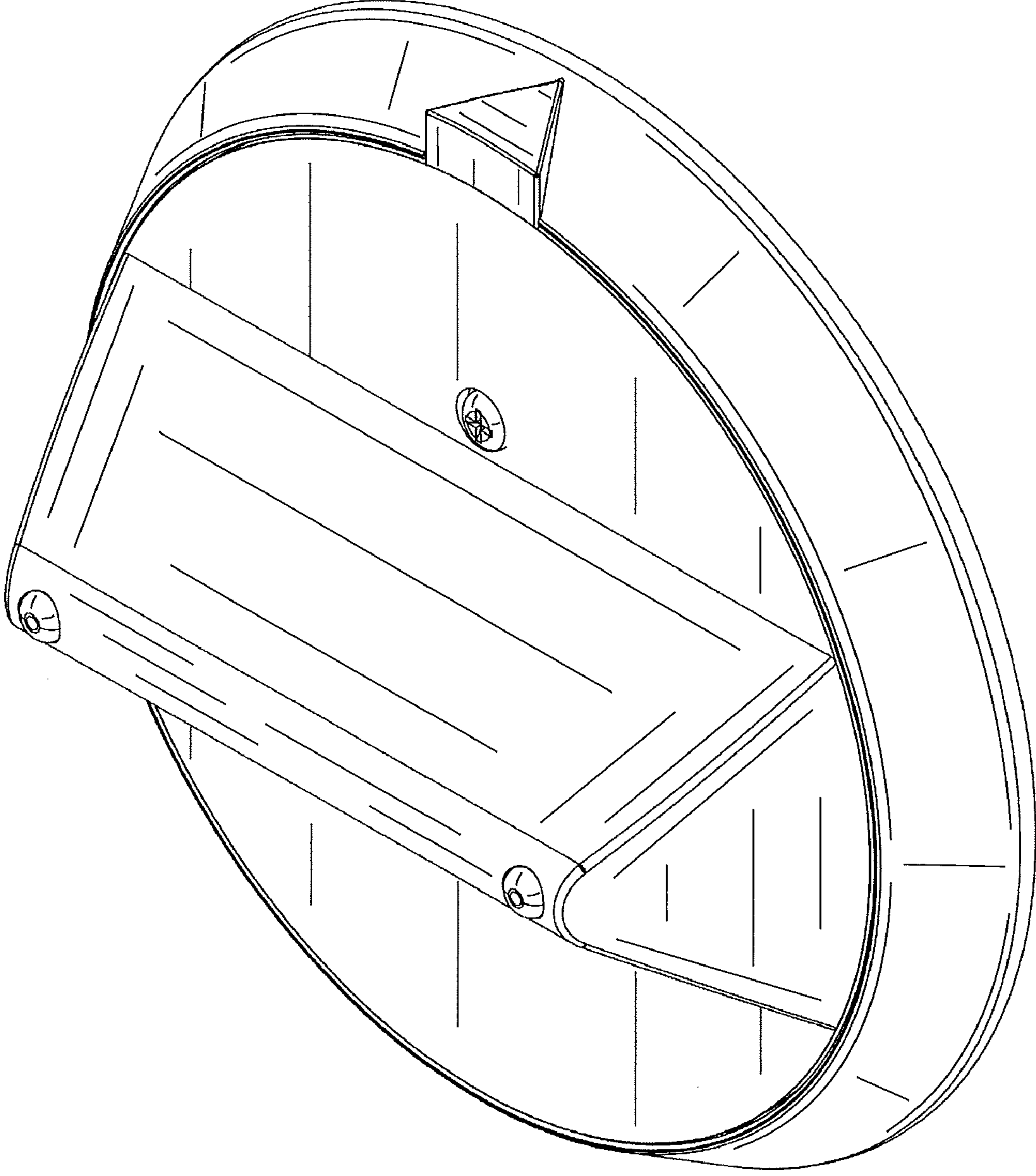


FIG. 2

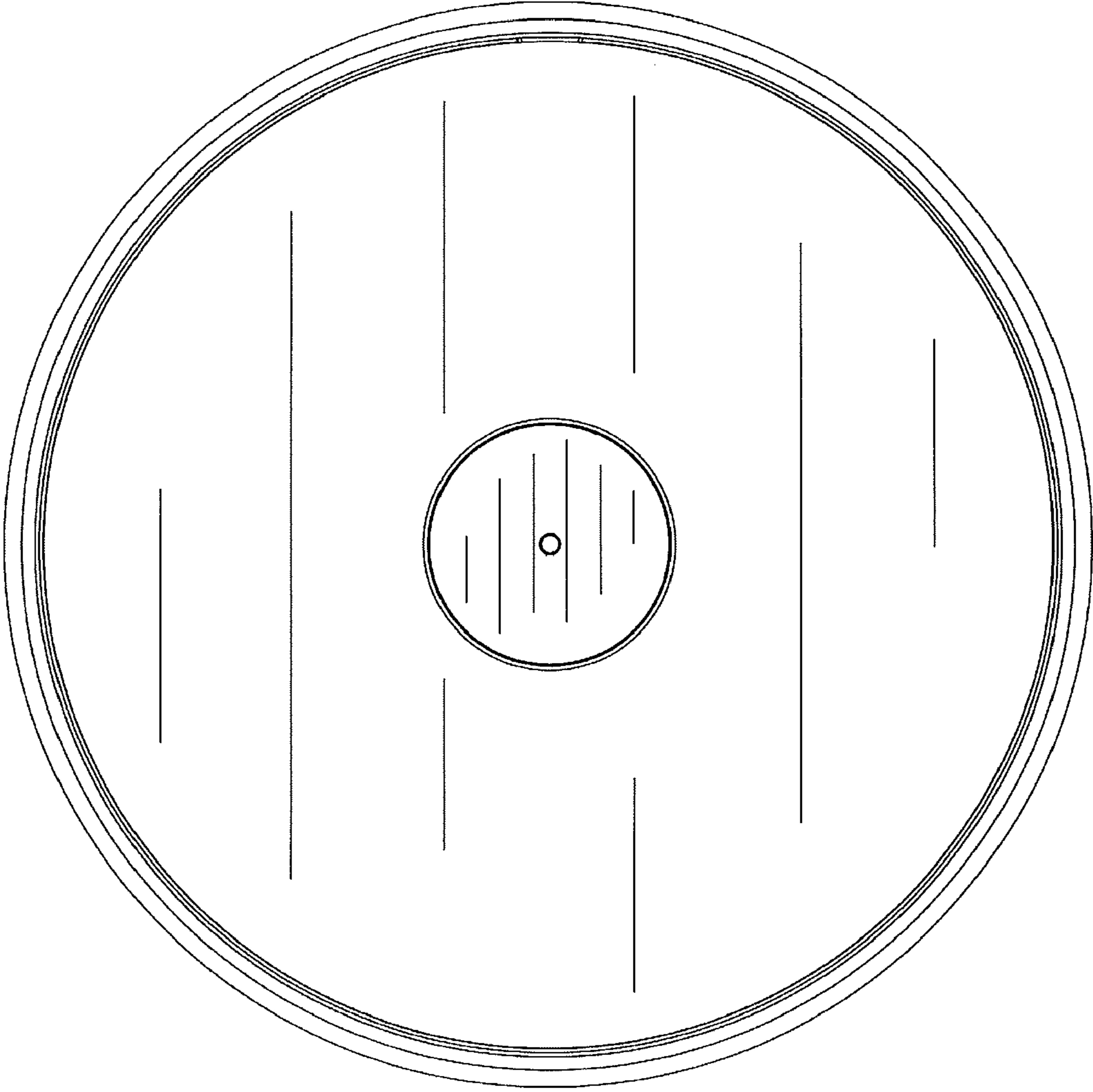


FIG. 3

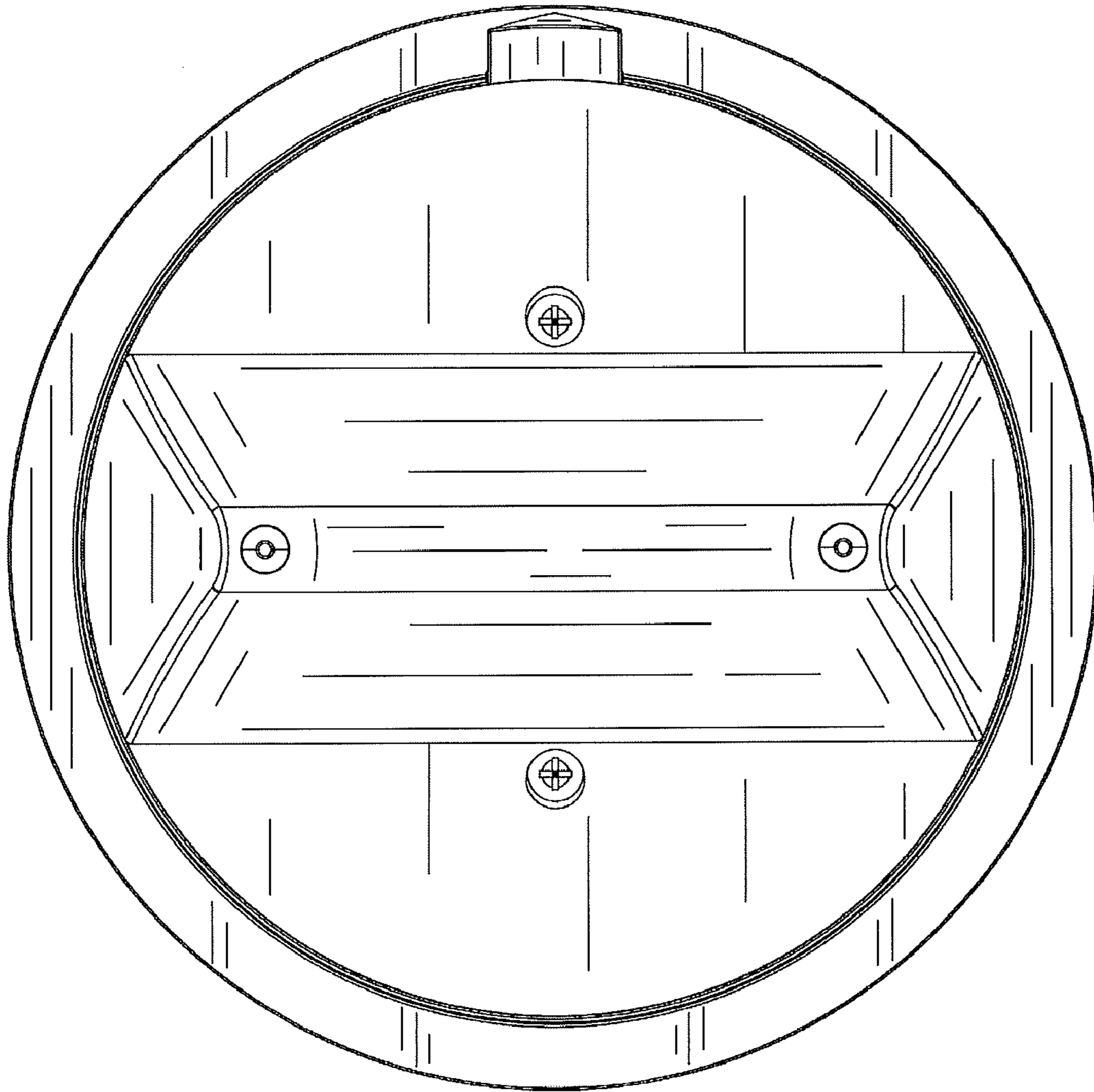


FIG. 4

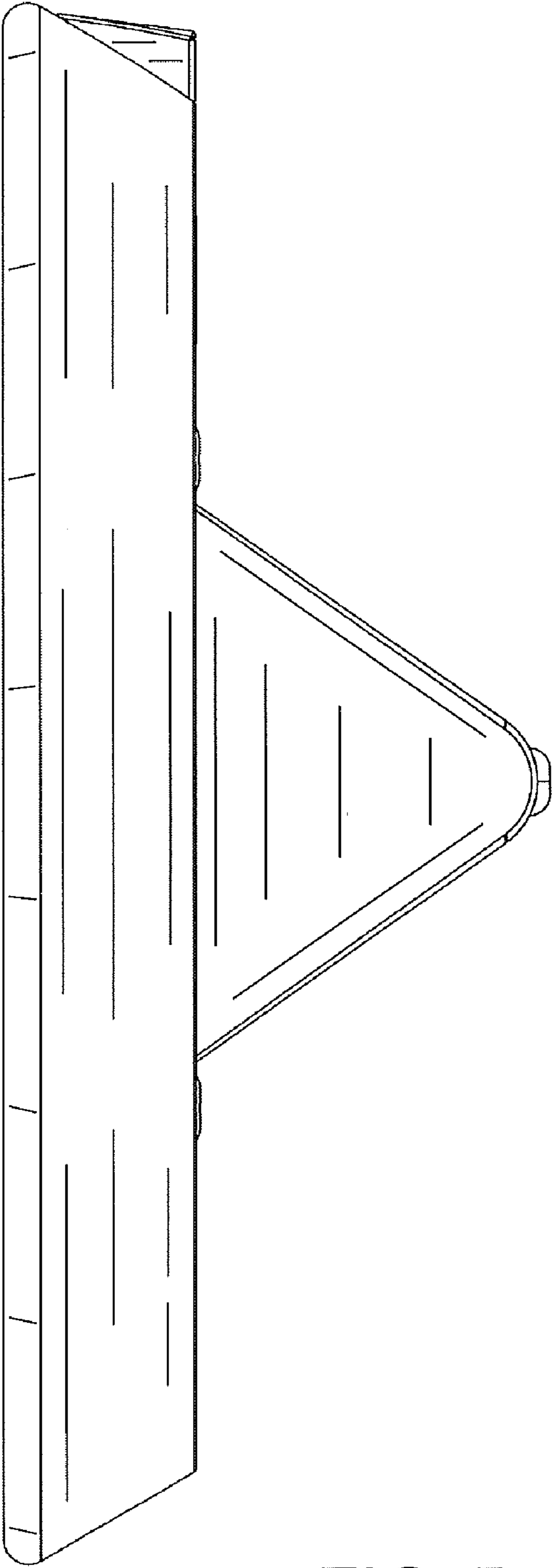


FIG. 5

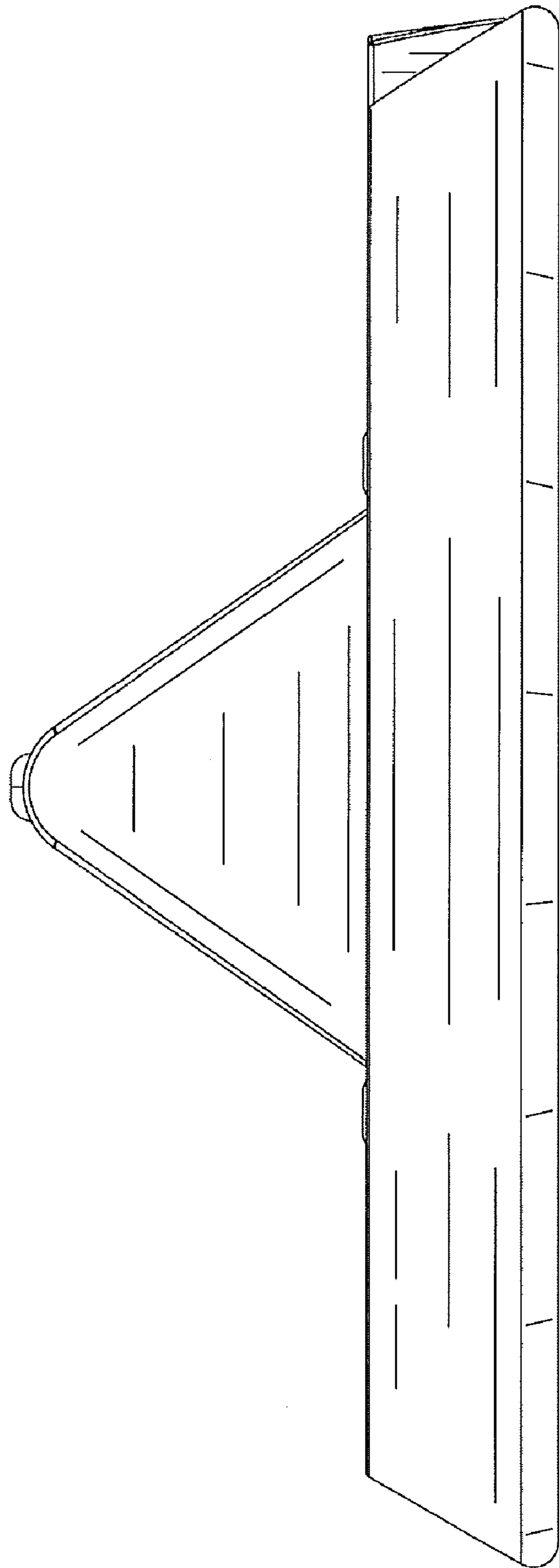


FIG. 6

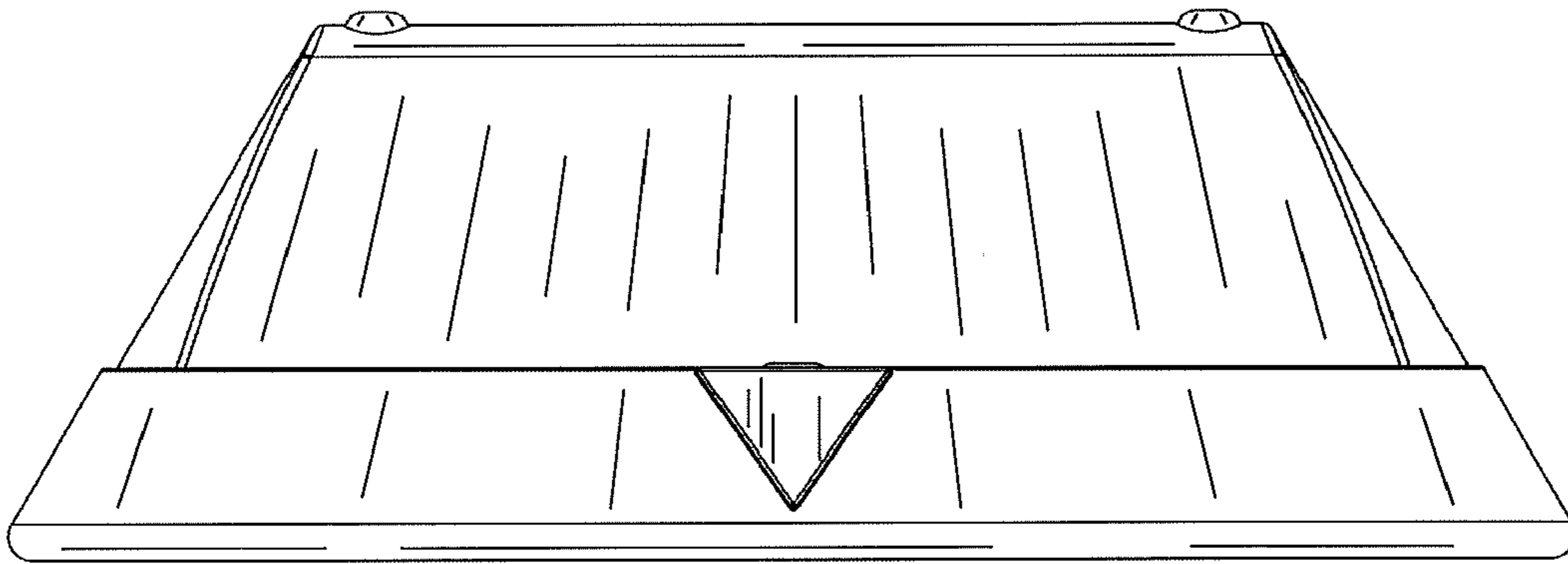


FIG. 7

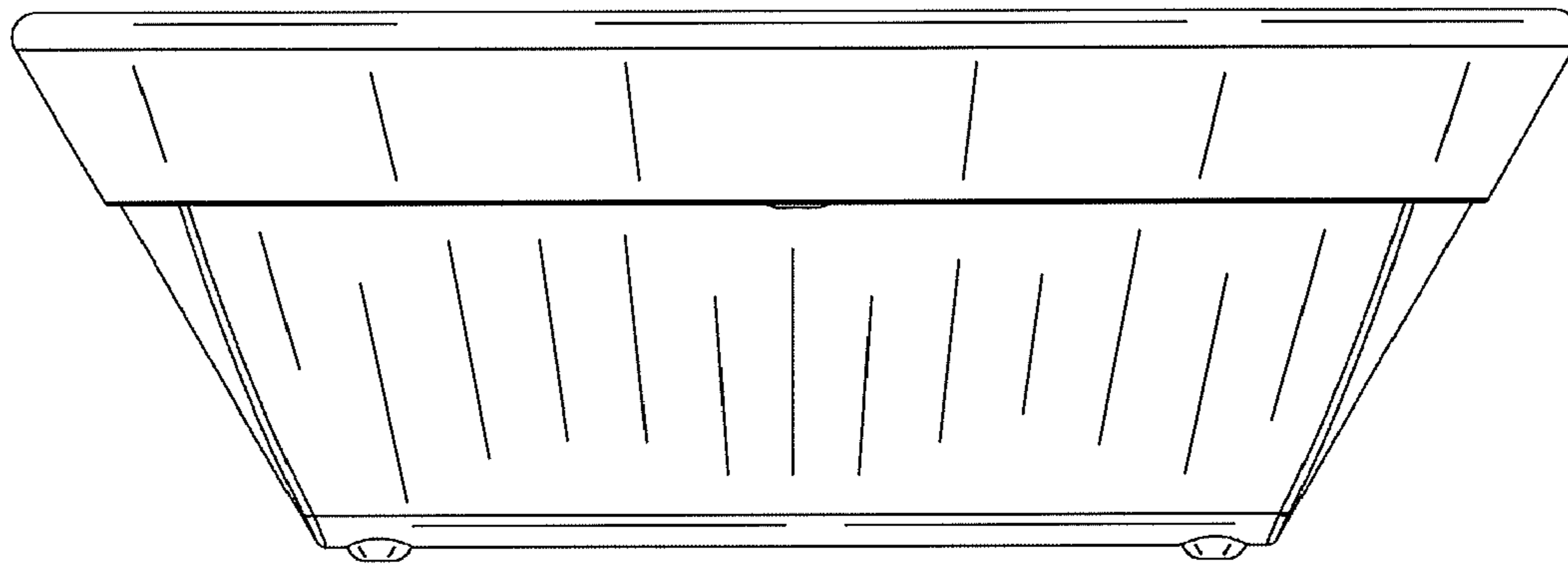


FIG. 8