



US00D636377S

(12) **United States Design Patent**
Morisawa

(10) **Patent No.:** **US D636,377 S**

(45) **Date of Patent:** **** Apr. 19, 2011**

(54) **HEADPHONE**

(75) Inventor: **Rui Morisawa**, Tokyo (JP)

(73) Assignee: **Sony Corporation**, Tokyo (JP)

(**) Term: **14 Years**

(21) Appl. No.: **29/347,553**

(22) Filed: **Mar. 3, 2010**

(30) **Foreign Application Priority Data**

Oct. 28, 2009 (JP) D2009-025258

Jan. 20, 2010 (JP) D2010-001191

Feb. 5, 2010 (JP) D2010-002752

(51) **LOC (9) Cl.** **14-01**

(52) **U.S. Cl.** **D14/205**

(58) **Field of Classification Search** D14/205,

D14/206, 223; 181/129, 130, 135; 379/430,

379/433.01, 433.11, 431, 433.13, 428.01;

381/380, 381, 378; D29/112, 120, 122; 2/209,

2/410-414; D11/216, 200, 218; 24/3.12,

24/66.13, 66.8, 70 SK, 70 ST, 173, 188, 180

See application file for complete search history.

(56) **References Cited**

U.S. PATENT DOCUMENTS

688,088 A * 12/1901 Bruce 297/375

1,263,605 A * 4/1918 Rust 24/180

1,508,411 A * 9/1924 Riker 24/191

3,097,406 A * 7/1963 Yarborough 24/3.7

3,805,334 A * 4/1974 Graup 24/70 SK

4,083,481 A * 4/1978 Selinko 224/670

D302,140 S * 7/1989 Johnston D11/216

4,879,759 A * 11/1989 Matsumoto et al. 455/348

5,081,709 A * 1/1992 Benyo et al. 455/348

D358,390 S 5/1995 Hayashi

5,764,760 A * 6/1998 Grandbert et al. 379/433.13

5,809,403 A * 9/1998 MacDonald et al. 455/575.7

5,819,162 A * 10/1998 Spann et al. 455/575.5

5,930,353 A * 7/1999 Lee et al. 379/433.05

D420,356 S 2/2000 Suzuki

D539,267 S 3/2007 Komiyama

FOREIGN PATENT DOCUMENTS

JP D1318182 S 12/2007

JP D1335550 S 7/2008

JP D1352163 S 3/2009

JP D1352588 S 3/2009

* cited by examiner

Primary Examiner — Paula Greene

(74) *Attorney, Agent, or Firm* — Rader, Fishman & Grauer PLLC

(57) **CLAIM**

The ornamental design for a headphone, as shown and described.

DESCRIPTION

FIG. 1 is a front, top, right, perspective view of a headphone showing my new design;

FIG. 2 is a front, bottom perspective view thereof;

FIG. 3 is a front elevational view thereof;

FIG. 4 is a rear elevational view thereof;

FIG. 5 is a left side elevational view thereof;

FIG. 6 is a right side elevational view thereof;

FIG. 7 is a top plan view thereof; and,

FIG. 8 is a bottom plan view thereof.

1 Claim, 6 Drawing Sheets

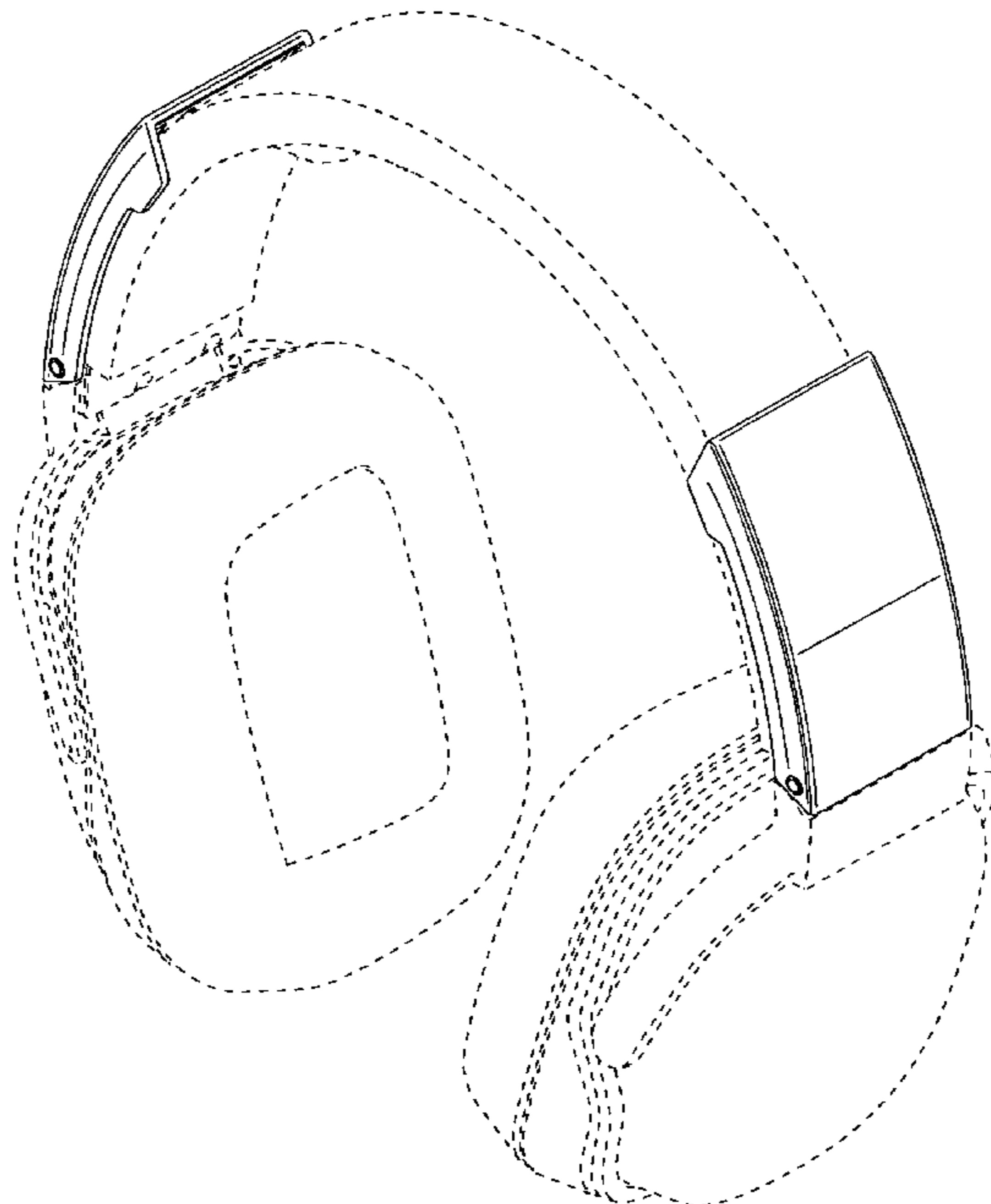


FIG. 1

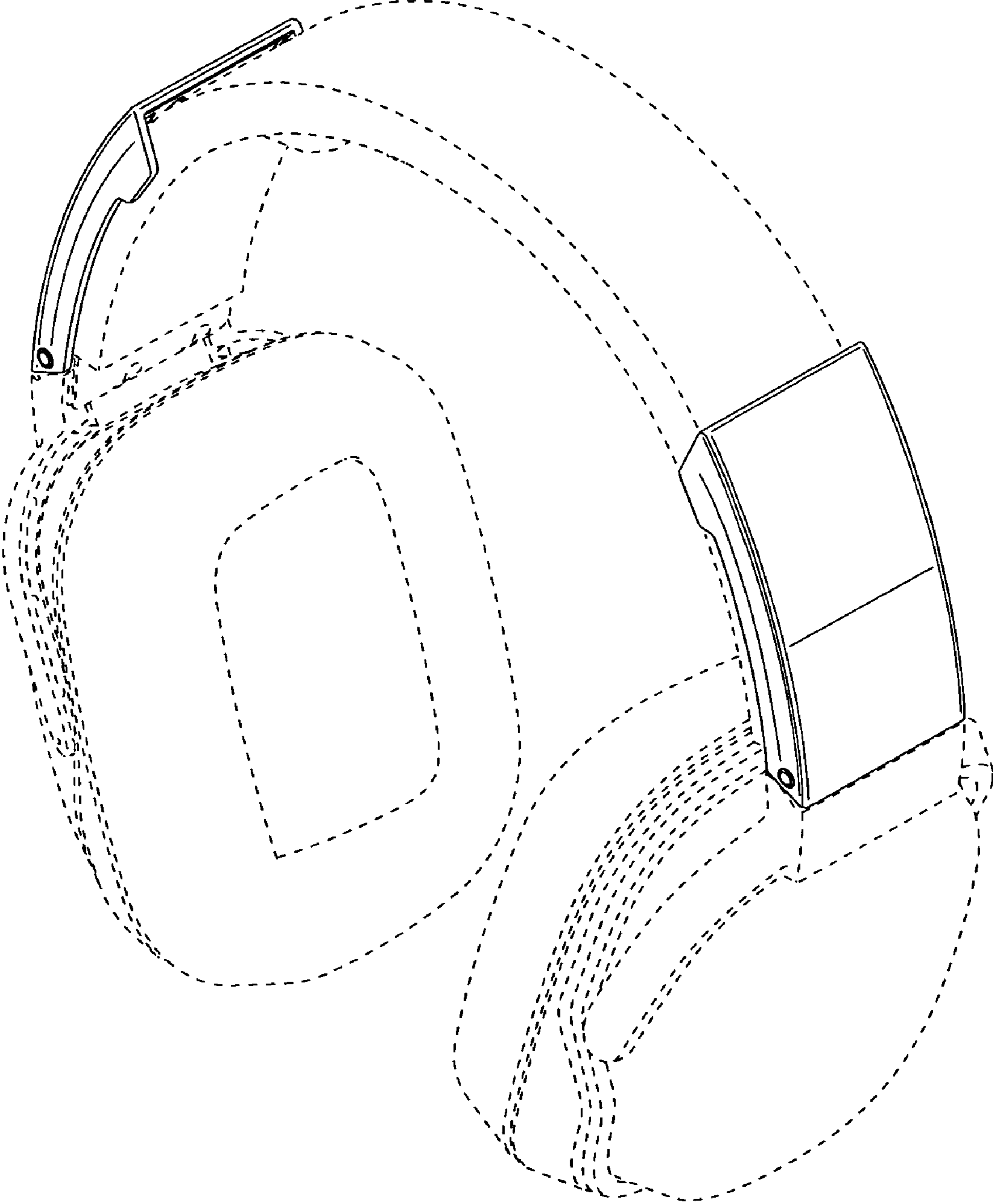


FIG.2

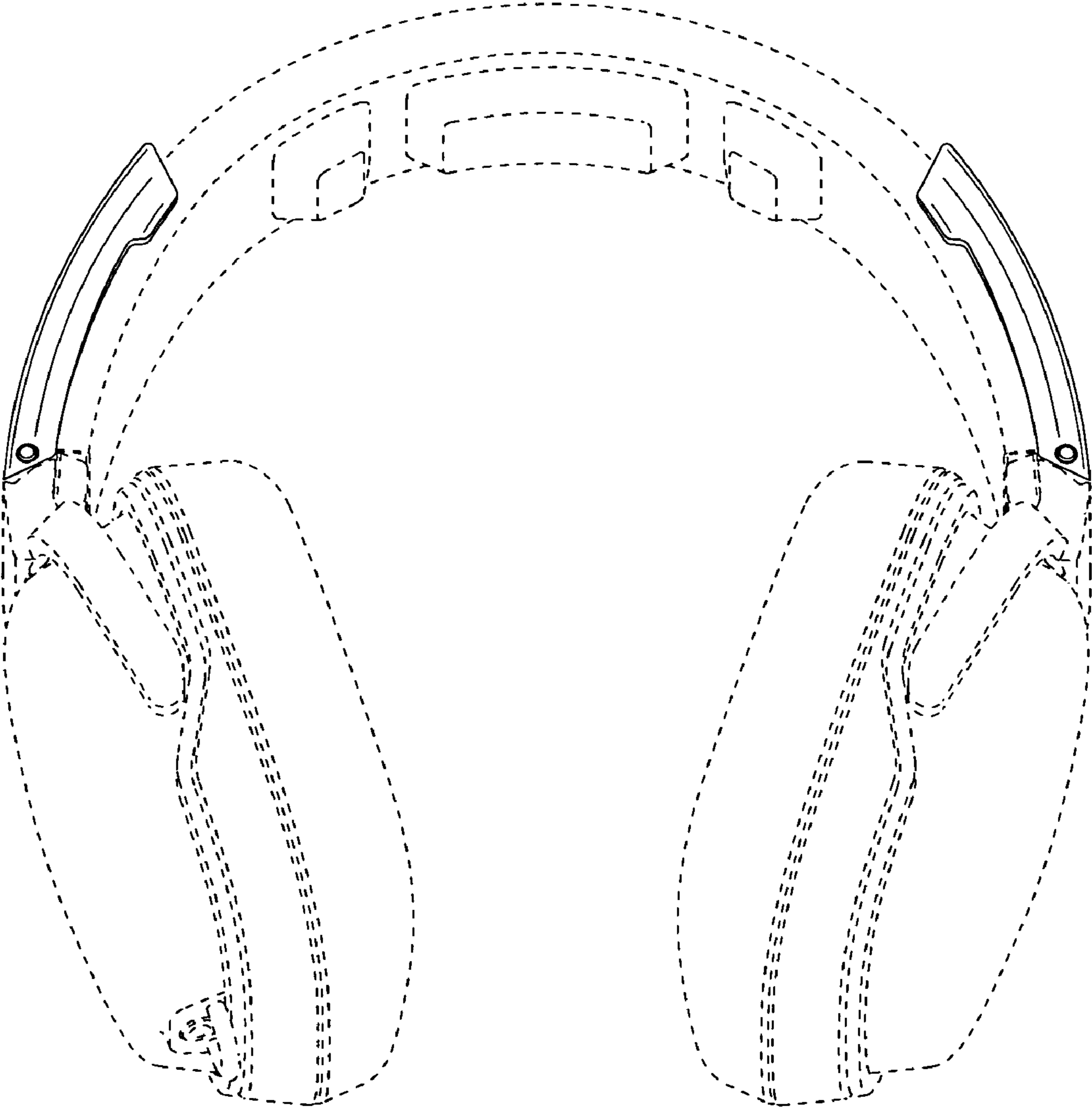


FIG.3

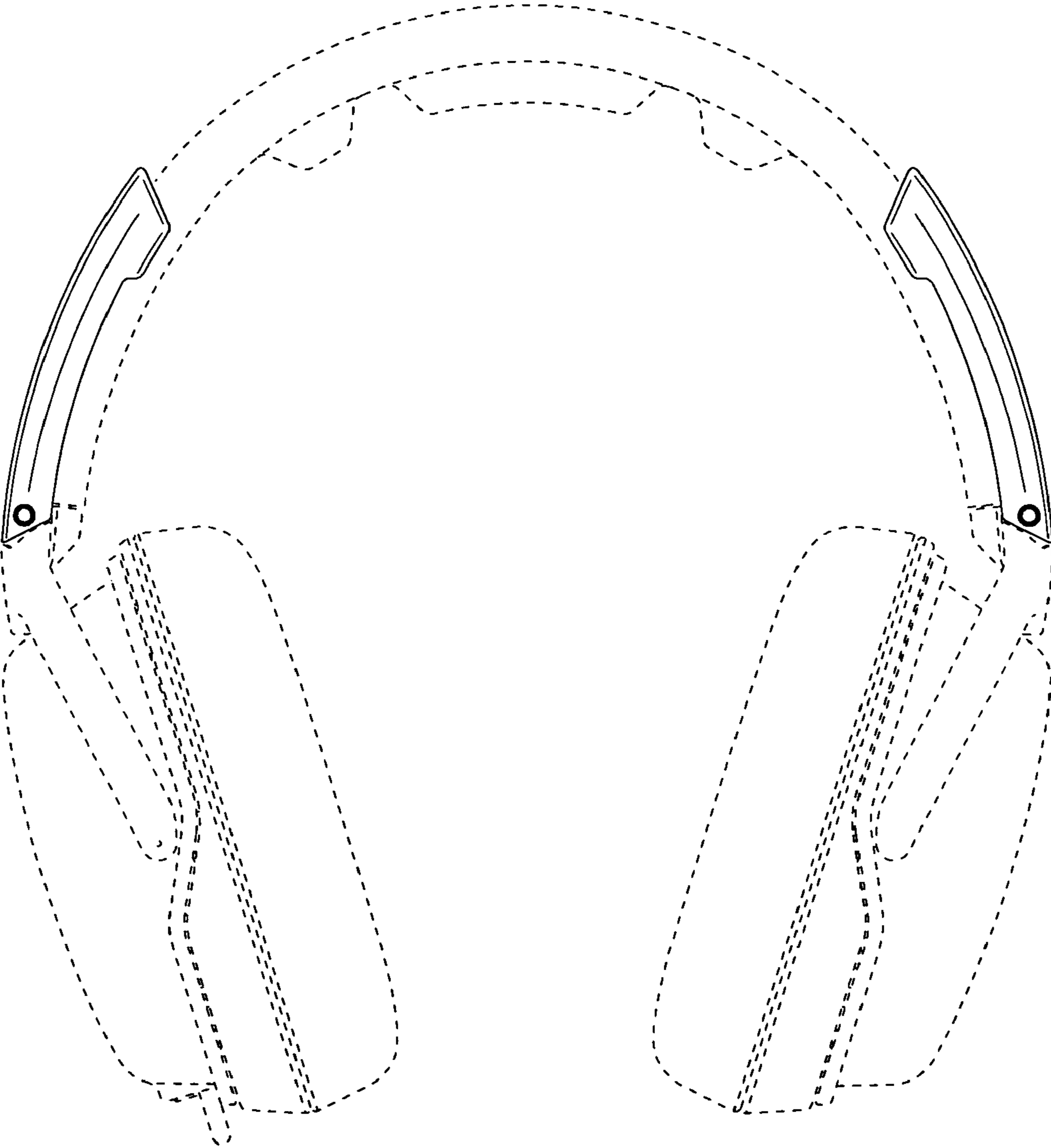


FIG.4

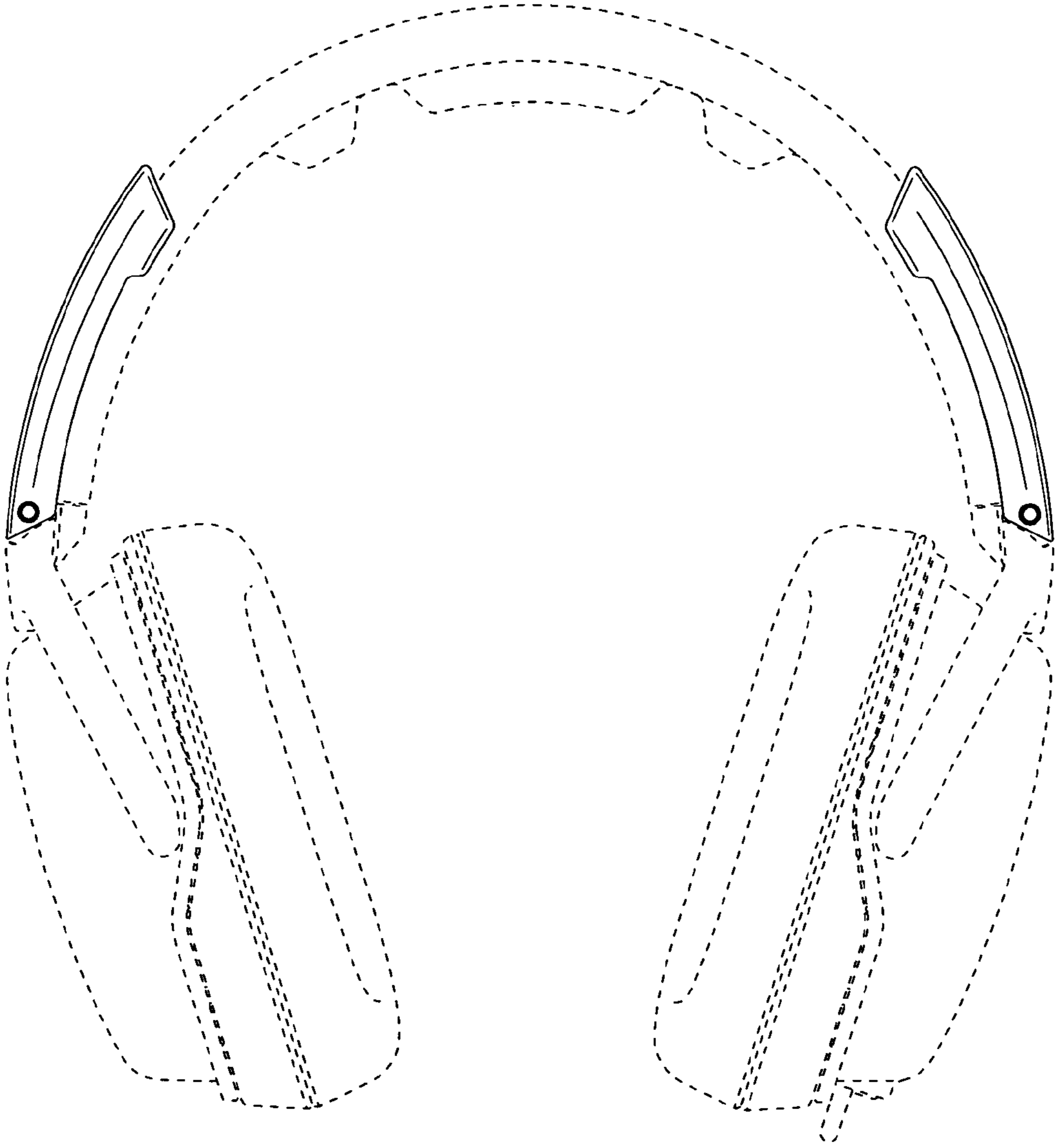


FIG.5

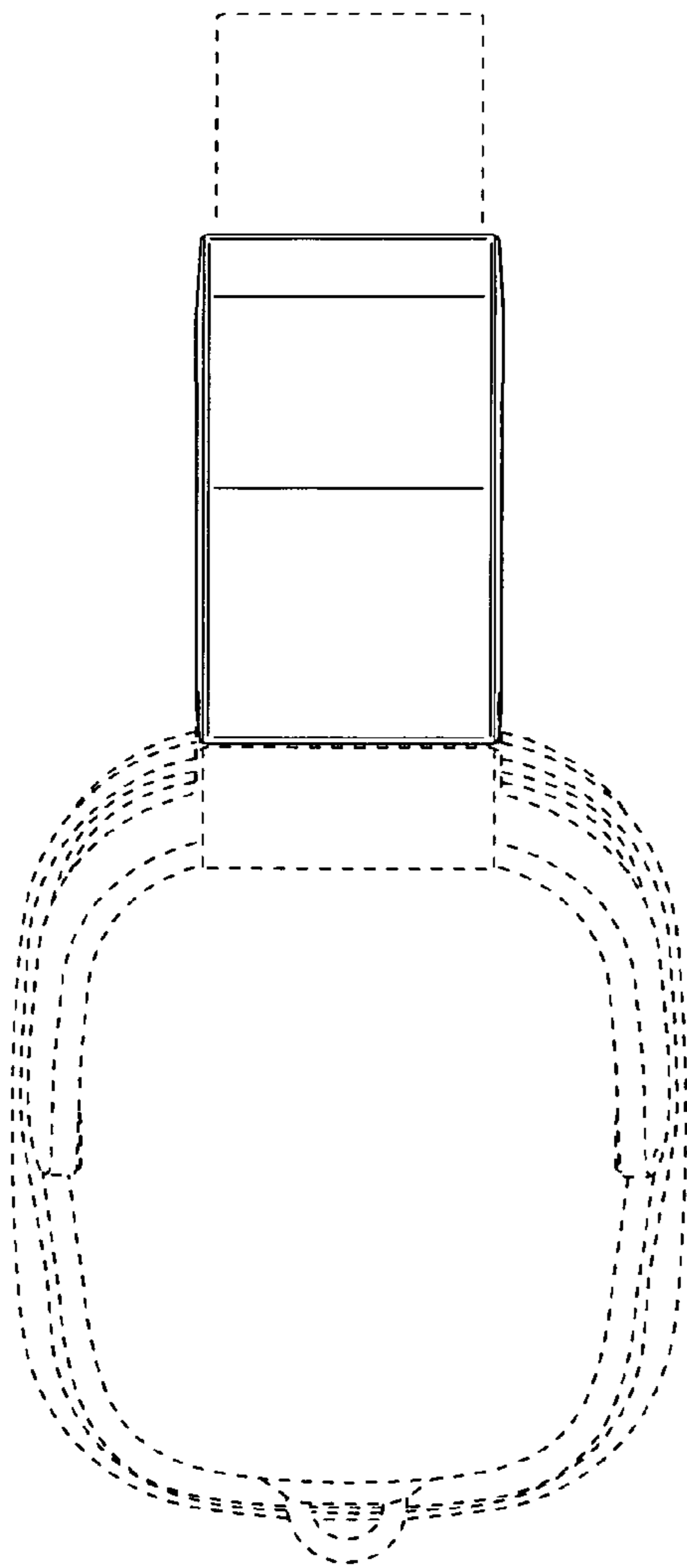


FIG.6

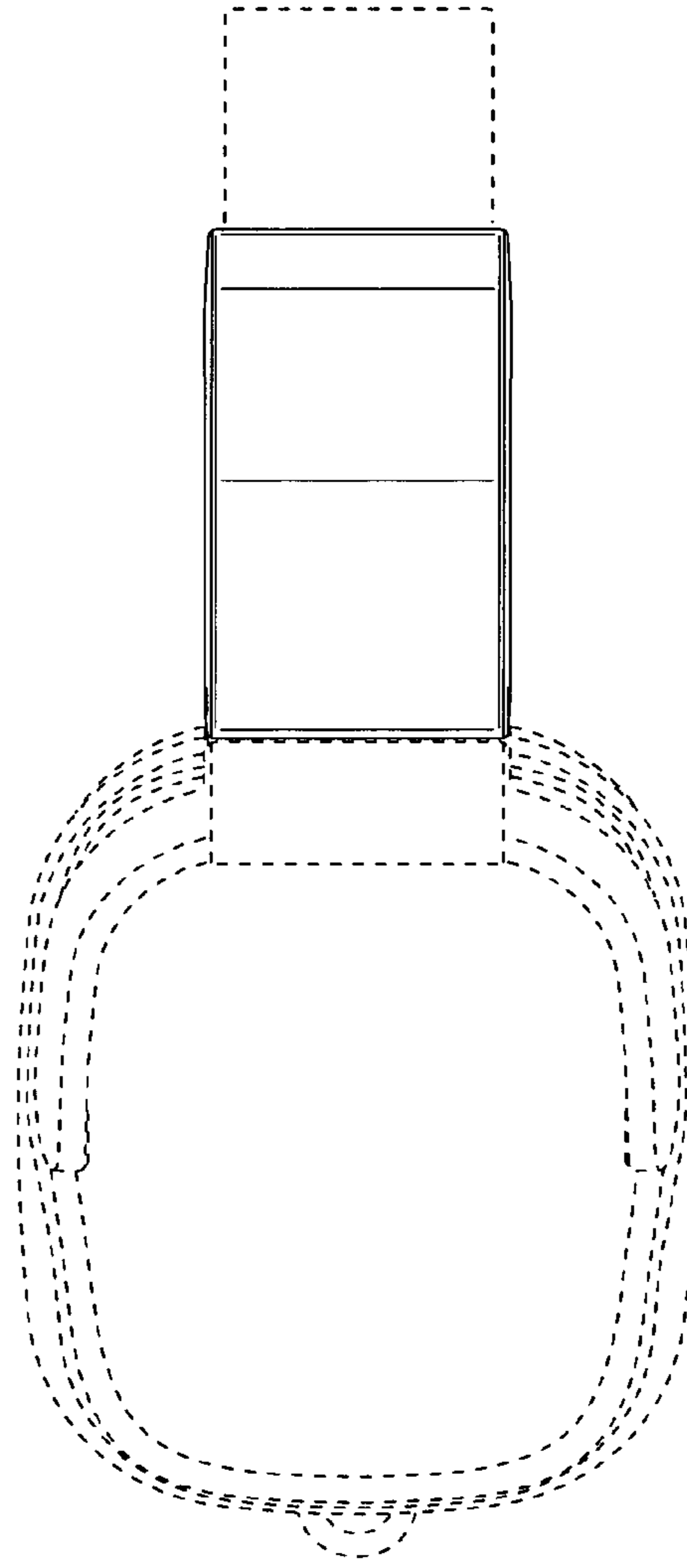


FIG.7

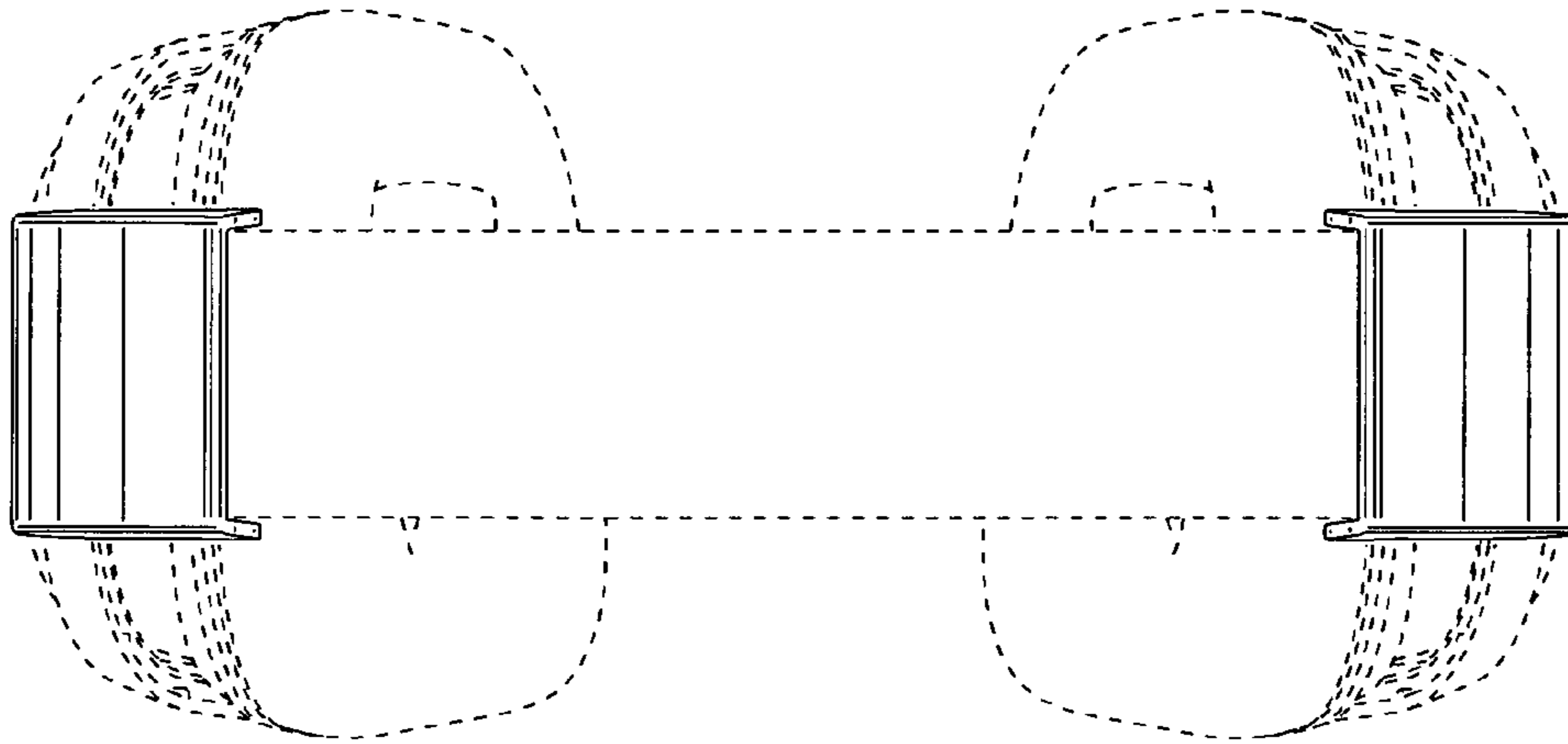


FIG.8

