



US00D636376S

(12) **United States Design Patent**
Yagihashi et al.

(10) **Patent No.:** **US D636,376 S**
(45) **Date of Patent:** **** Apr. 19, 2011**

(54) **AMPLIFIER**

(75) Inventors: **Tatsuya Yagihashi**, Tokyo (JP); **Raku Ishida**, Tokyo (JP)

(73) Assignee: **Sony Corporation**, Tokyo (JP)

(**) Term: **14 Years**

(21) Appl. No.: **29/371,057**

(22) Filed: **Oct. 4, 2010**

Related U.S. Application Data

(63) Continuation of application No. 29/309,091, filed on Jun. 20, 2008, now Pat. No. Des. 624,900, which is a continuation-in-part of application No. 29/290,134, filed on Oct. 24, 2007, now Pat. No. Des. 573,976.

(51) **LOC (9) Cl.** **14-03**

(52) **U.S. Cl.** **D14/188**

(58) **Field of Classification Search** D14/168,
D14/169, 179, 188, 194-198, 215, 217, 257,
D14/265, 299, 496; 330/1 R, 3, 4, 250; 381/86,
381/120; 455/344-351; D13/182

See application file for complete search history.

(56) **References Cited**

U.S. PATENT DOCUMENTS

3,091,736 A	5/1963	Germain	
4,756,382 A	7/1988	Hudson, III	
D322,069 S	12/1991	Seror	
5,191,177 A	3/1993	Chi	
D337,114 S	7/1993	Mantz	
5,285,500 A	2/1994	Mantz	
D348,869 S *	7/1994	Egger et al.	D13/123
D386,761 S	11/1997	Pleitz	
D392,640 S	3/1998	Tully et al.	
D396,720 S	8/1998	Yuyama	

D400,206 S	10/1998	Mahgerefteh	
D415,157 S	10/1999	Rabbani	
D416,903 S	11/1999	Kizawa	
6,028,945 A	2/2000	Gayle	
D429,716 S	8/2000	Horikoshi	
D431,816 S	10/2000	Beaumont et al.	
D446,204 S	8/2001	Smith	
D449,288 S	10/2001	Sogabe	
D512,707 S	12/2005	Chen et al.	
D513,247 S	12/2005	Matsuoka	
D520,985 S	5/2006	Ishinabe	
D548,723 S	8/2007	Mizokawa	
D549,214 S	8/2007	Uehara	
D610,125 S *	2/2010	Ichikawa et al.	D14/188
D624,900 S *	10/2010	Yagihashi et al.	D14/188

* cited by examiner

Primary Examiner — Stella M Reid

Assistant Examiner — Keli L Hill

(74) *Attorney, Agent, or Firm* — Rader, Fishman & Grauer PLLC

(57) **CLAIM**

The ornamental design for an amplifier, as shown and described.

DESCRIPTION

FIG. 1 is a front elevational view of a first embodiment of an amplifier showing our new design; FIG. 2 is a left side elevational view thereof; and FIG. 3 is a right side elevational view thereof. FIG. 4 is a front elevational view of a second embodiment of an amplifier showing our new design; FIG. 5 is a left side elevational view thereof; and, FIG. 6 is a right side elevational view thereof. The portions indicated in broken lines are for illustrative purposes only and form no part of the claimed design.

1 Claim, 6 Drawing Sheets

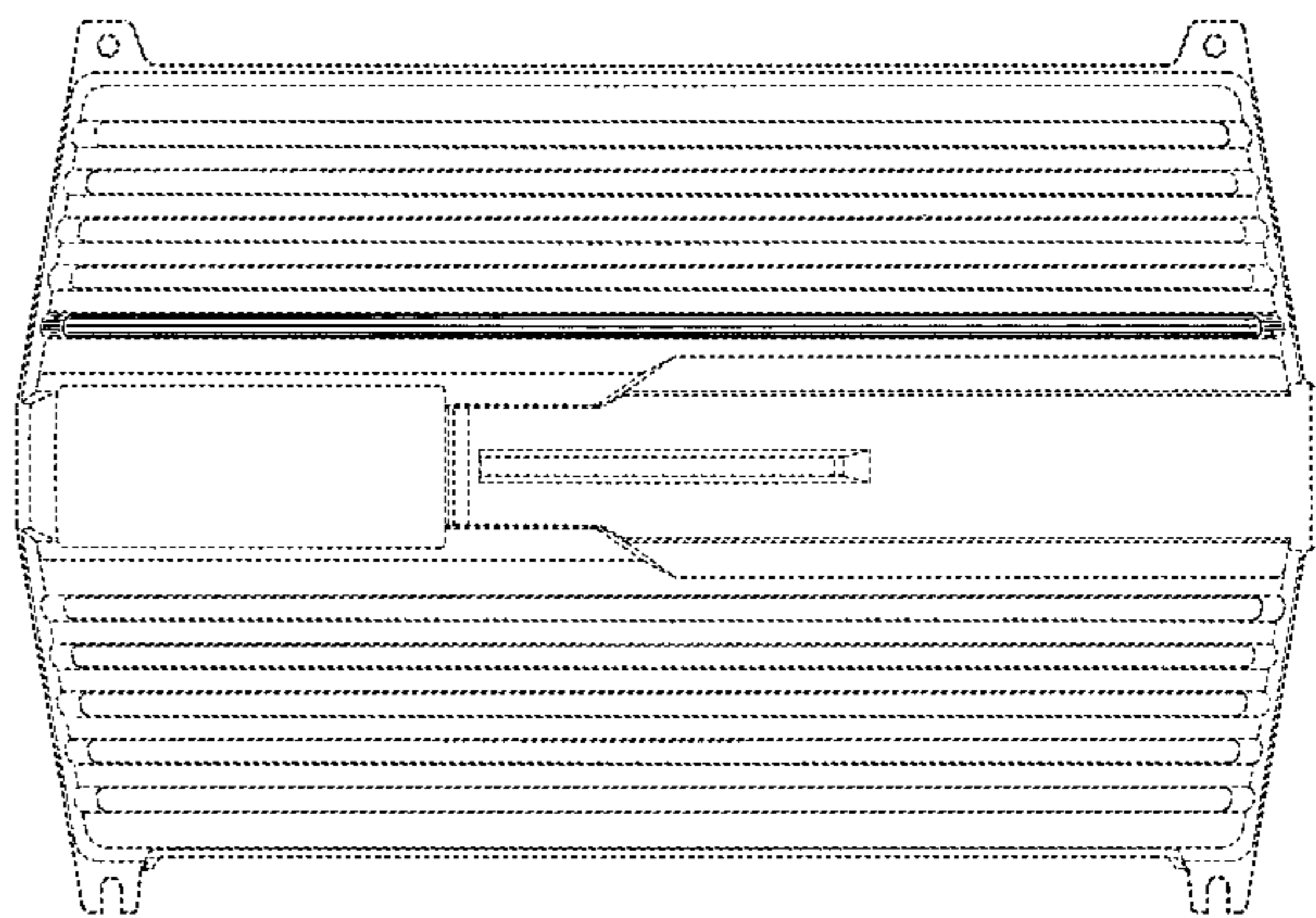
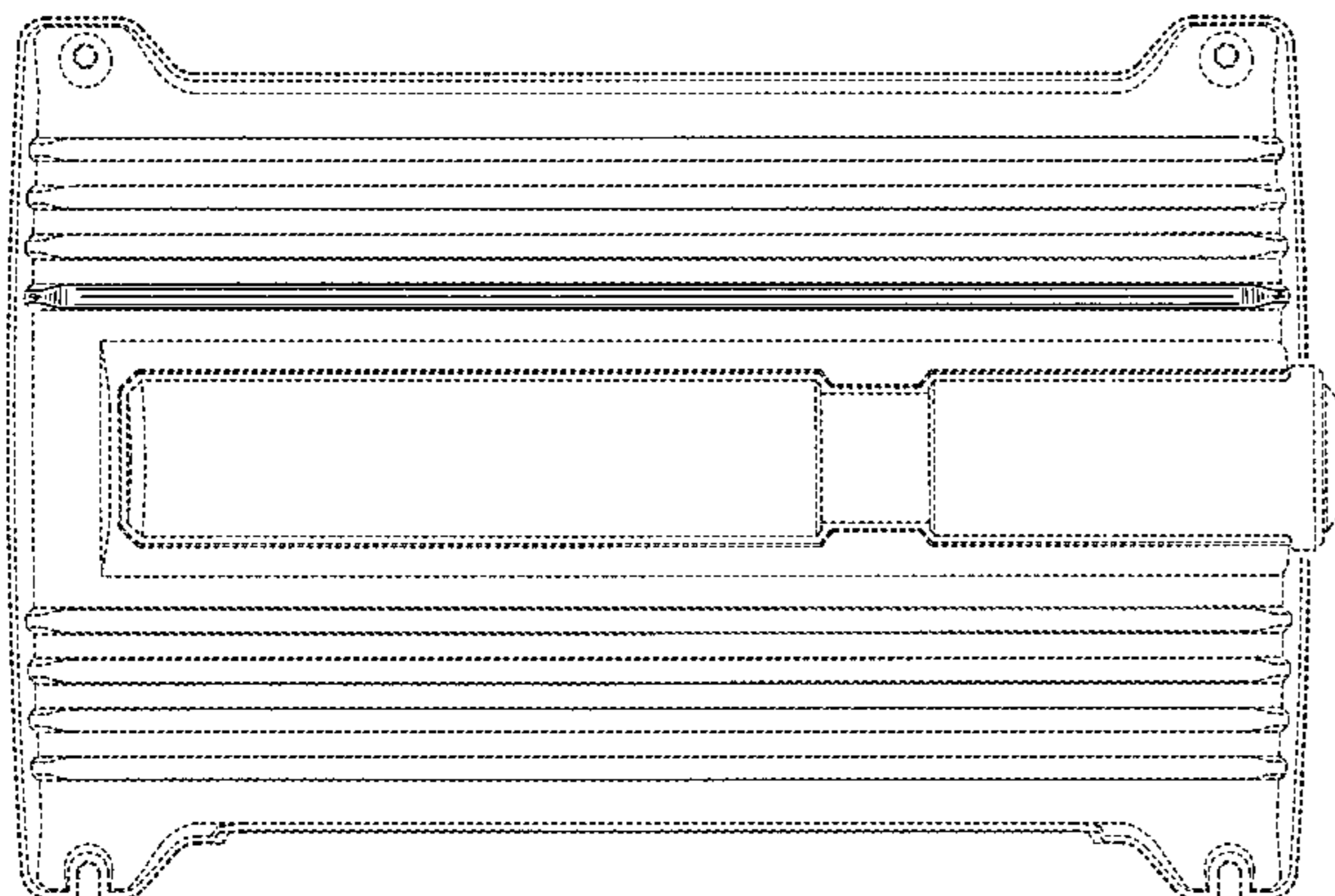


FIG.1

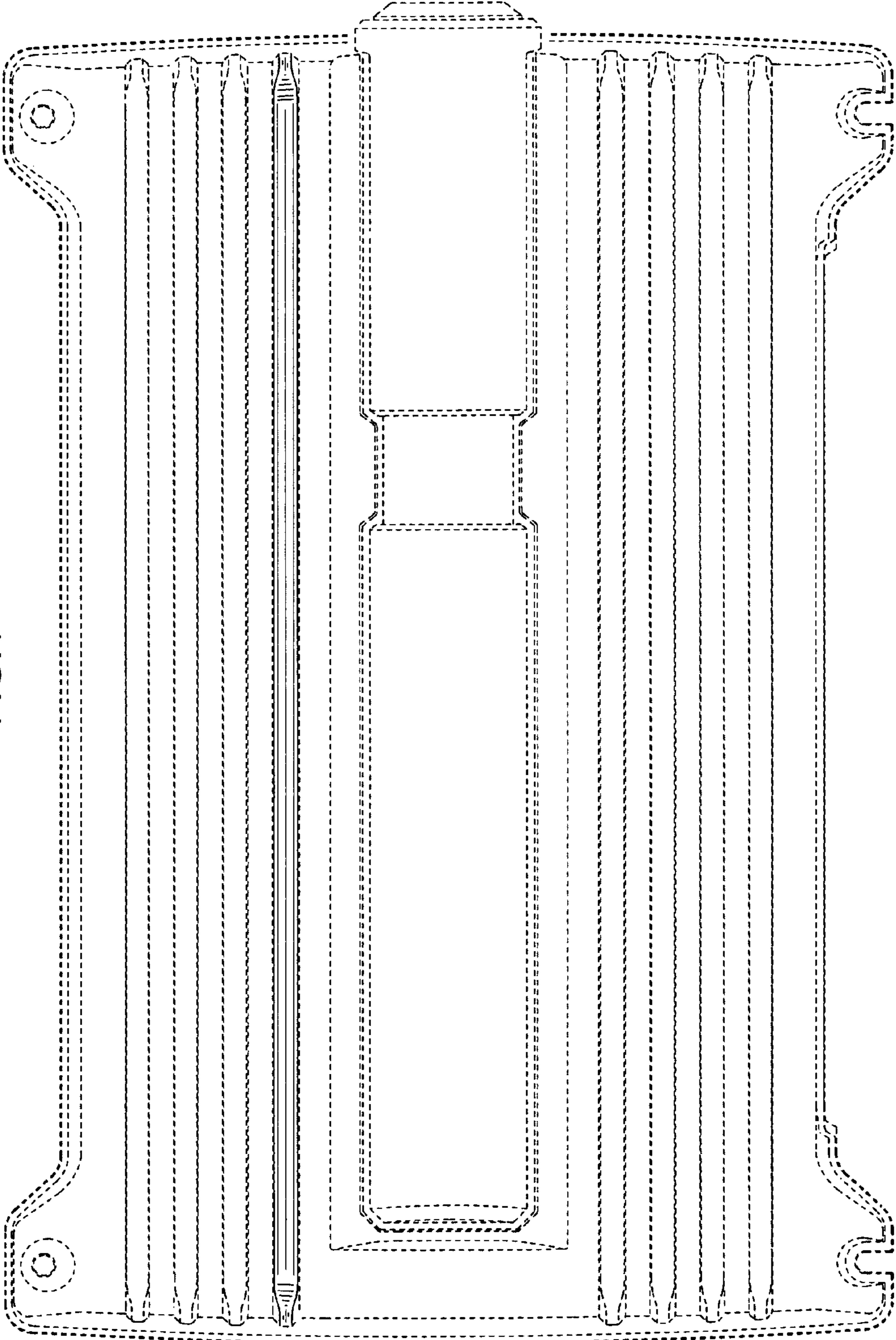


FIG.2

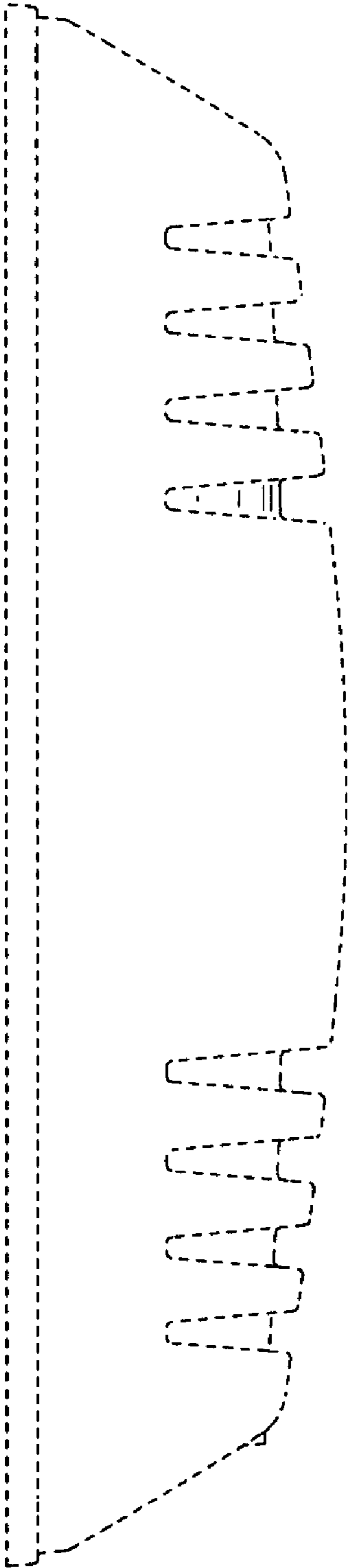


FIG.3

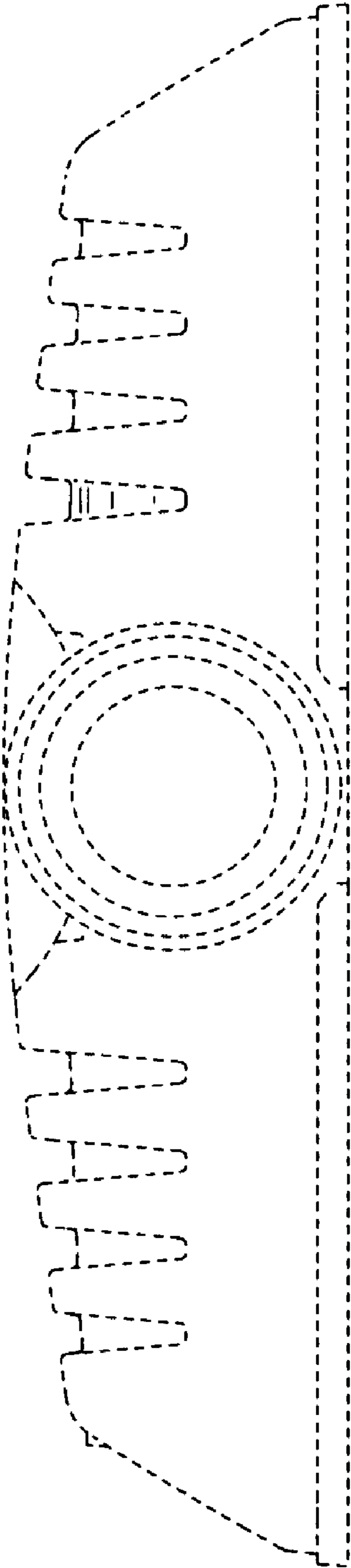


FIG.4

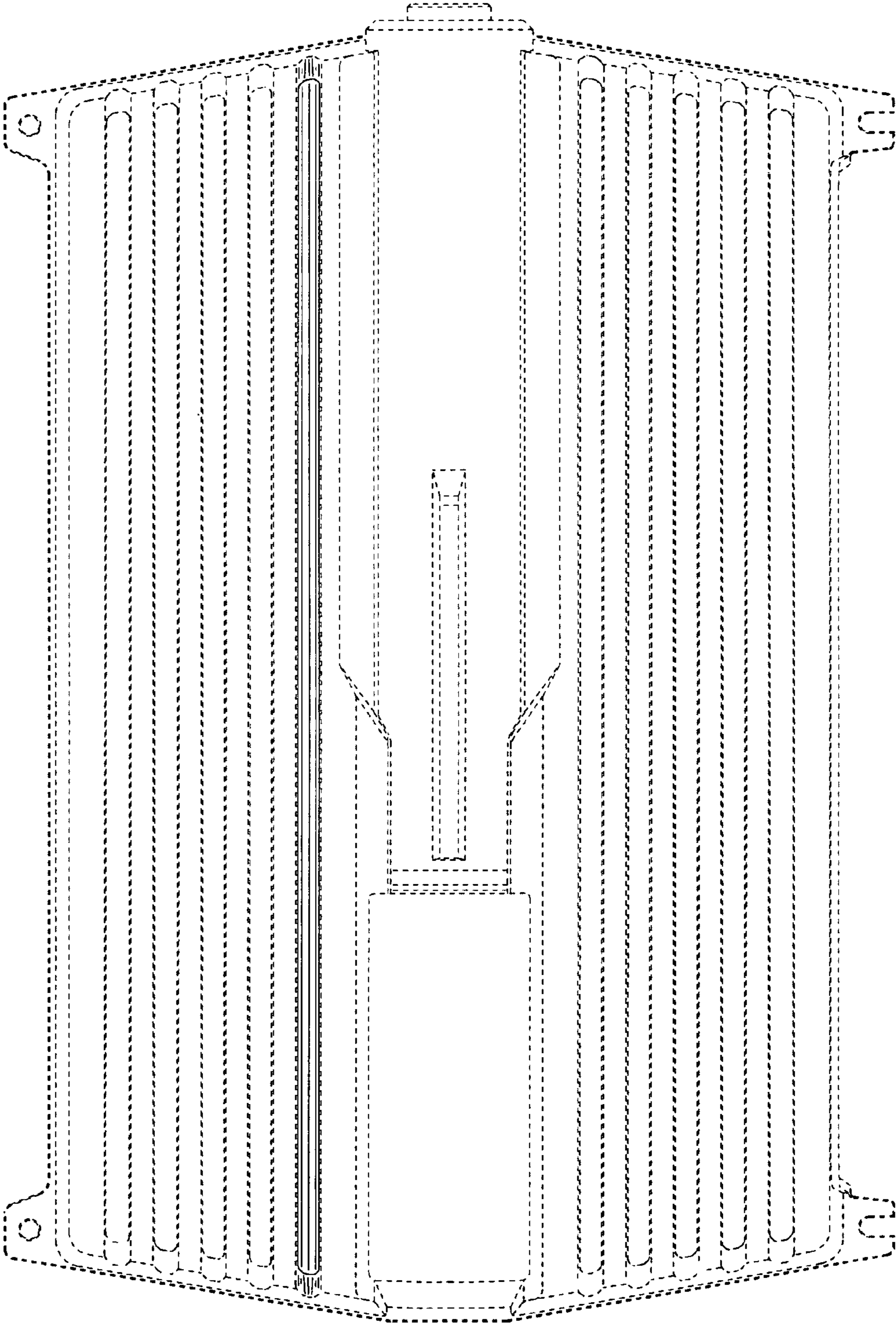


FIG.5

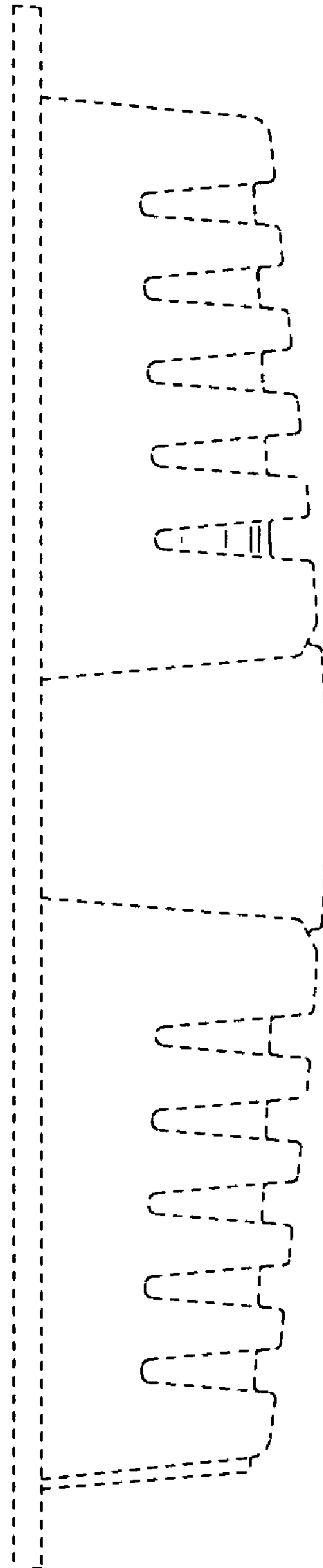


FIG.6

