



US00D636375S

(12) **United States Design Patent**  
**Kim**

(10) **Patent No.:** **US D636,375 S**

(45) **Date of Patent:** **\*\* Apr. 19, 2011**

(54) **RECEIVER FOR HOME THEATER**

(75) Inventor: **Mi Kyung Kim**, Seoul (KR)

(73) Assignee: **LG Electronics Inc.**, Seoul (KR)

(\*\*) Term: **14 Years**

(21) Appl. No.: **29/360,702**

(22) Filed: **Apr. 29, 2010**

(30) **Foreign Application Priority Data**

Nov. 11, 2009 (KR) ..... 30-2009-0049507

(51) **LOC (9) Cl.** ..... **14-03**

(52) **U.S. Cl.** ..... **D14/188**

(58) **Field of Classification Search** ..... D9/137,  
D9/155, 160-171, 188, 192-198, 203.1-203.8,  
D9/204, 217, 257, 258, 265, 496; 455/344-351;  
369/6-12

See application file for complete search history.

(56) **References Cited**

**U.S. PATENT DOCUMENTS**

- D557,679 S \* 12/2007 Bey et al. .... D14/167
- D560,689 S \* 1/2008 Cho ..... D14/496
- D569,840 S \* 5/2008 Tejima ..... D14/188
- D570,330 S \* 6/2008 Tejima ..... D14/188
- D578,505 S \* 10/2008 Tejima et al. .... D14/188

- D587,675 S \* 3/2009 Xie ..... D14/172
- D590,809 S \* 4/2009 Thusbass ..... D14/188
- D606,094 S \* 12/2009 Kimura ..... D14/496

\* cited by examiner

*Primary Examiner* — Stella M Reid

*Assistant Examiner* — Keli L Hill

(74) *Attorney, Agent, or Firm* — Birch, Stewart, Kolasch & Birch, LLP

(57) **CLAIM**

The ornamental design for a receiver for home theater, as shown and described.

**DESCRIPTION**

FIG. 1 is a front perspective view of a receiver for home theater, showing our new design;  
 FIG. 2 is a front view thereof;  
 FIG. 3 is a rear view thereof;  
 FIG. 4 is a left side view thereof where the right side view is a mirror image;  
 FIG. 5 is a top plan view thereof;  
 FIG. 6 is a bottom plan view thereof; and,  
 FIG. 7 is an alternate front perspective view thereof, showing the design in use with an MP3 player.

The broken line showing of the MP3 player is included for the purpose of illustrating environment of the article and forms no part of the claimed design.

**1 Claim, 7 Drawing Sheets**

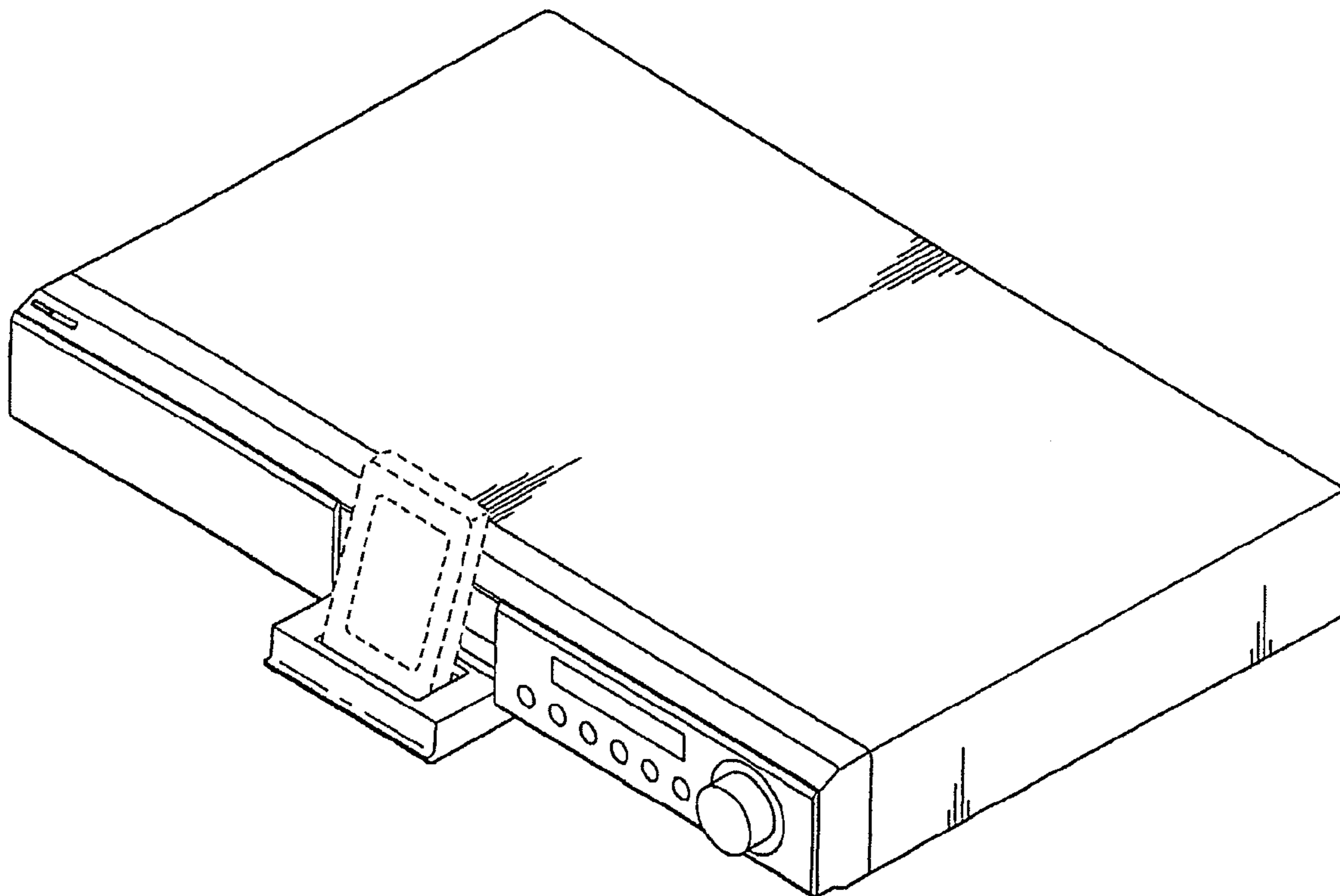


FIG. 1

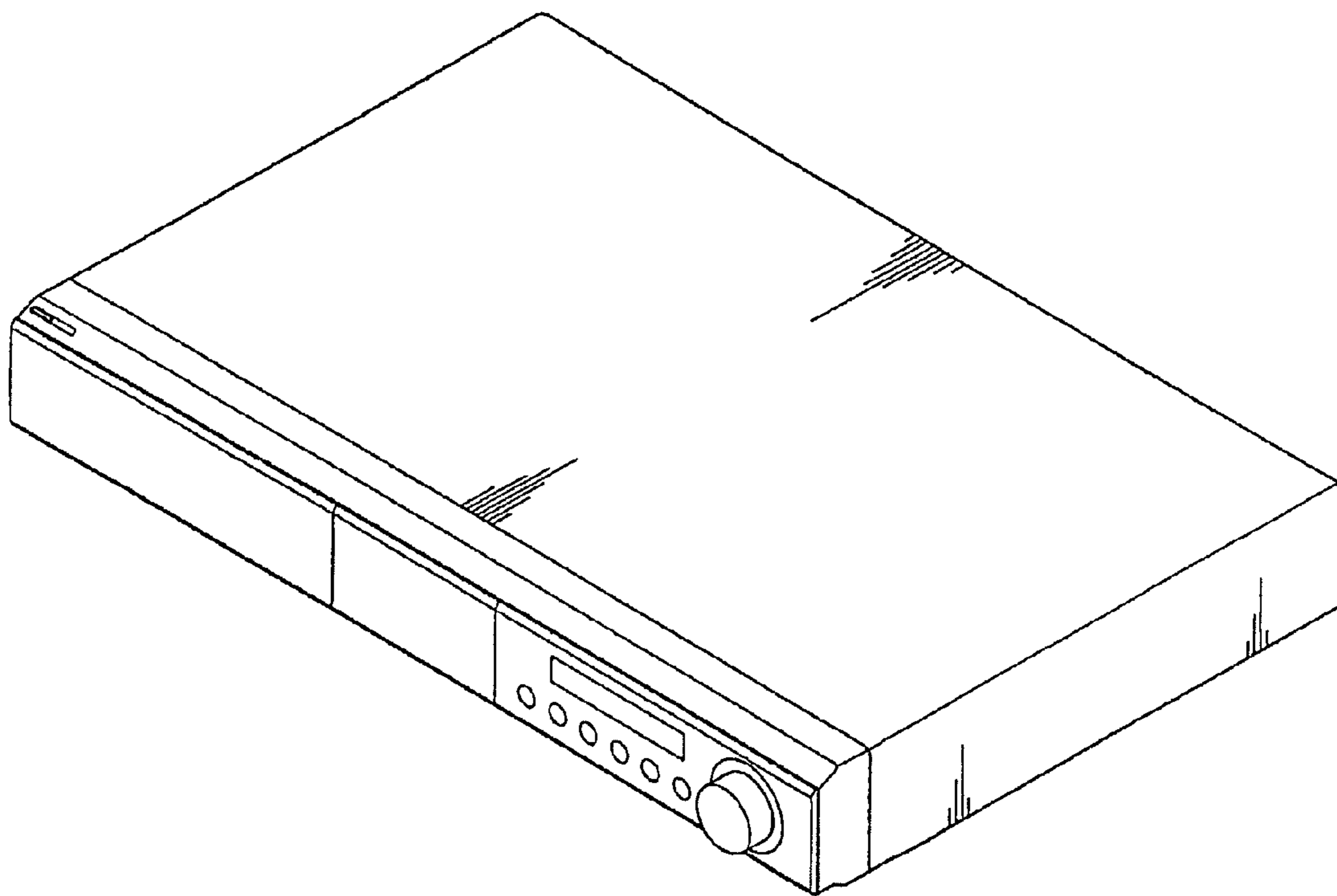


FIG. 2

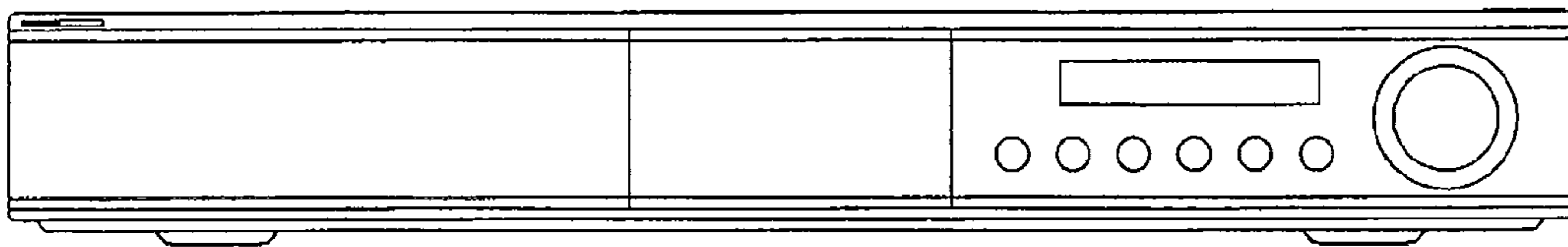


FIG. 3

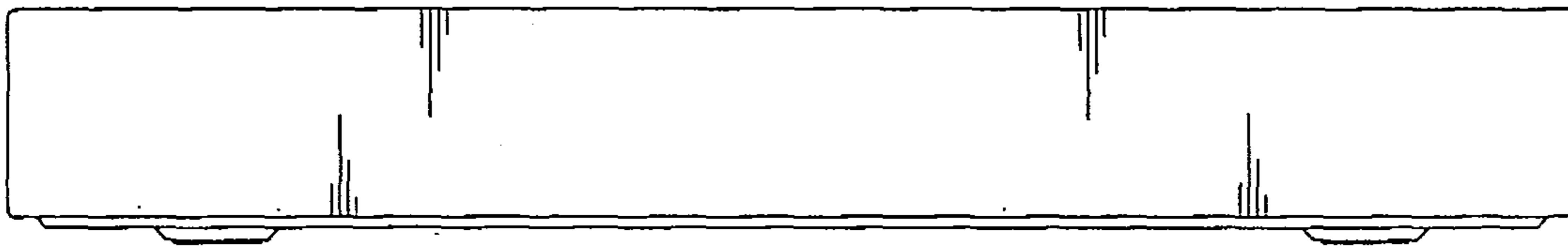


FIG. 4

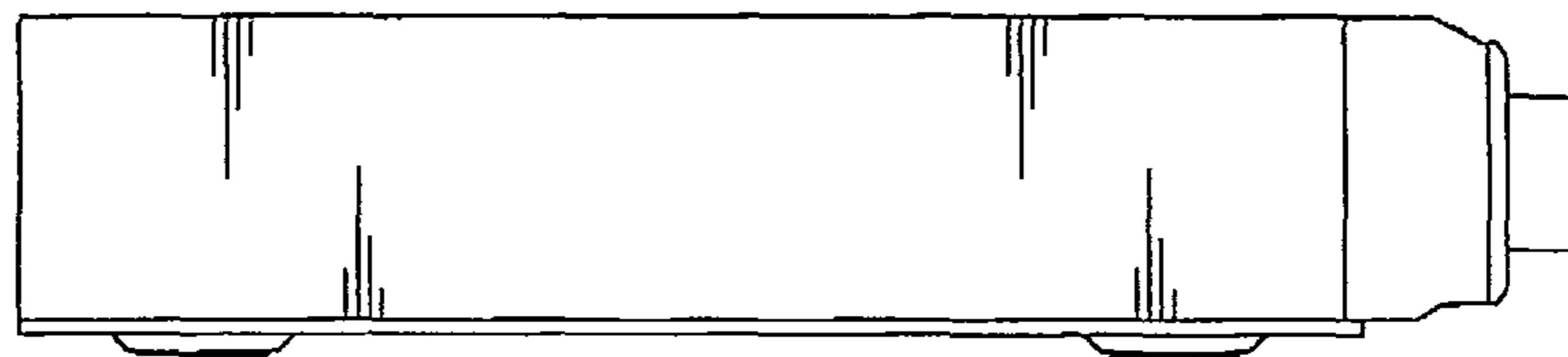


FIG. 5

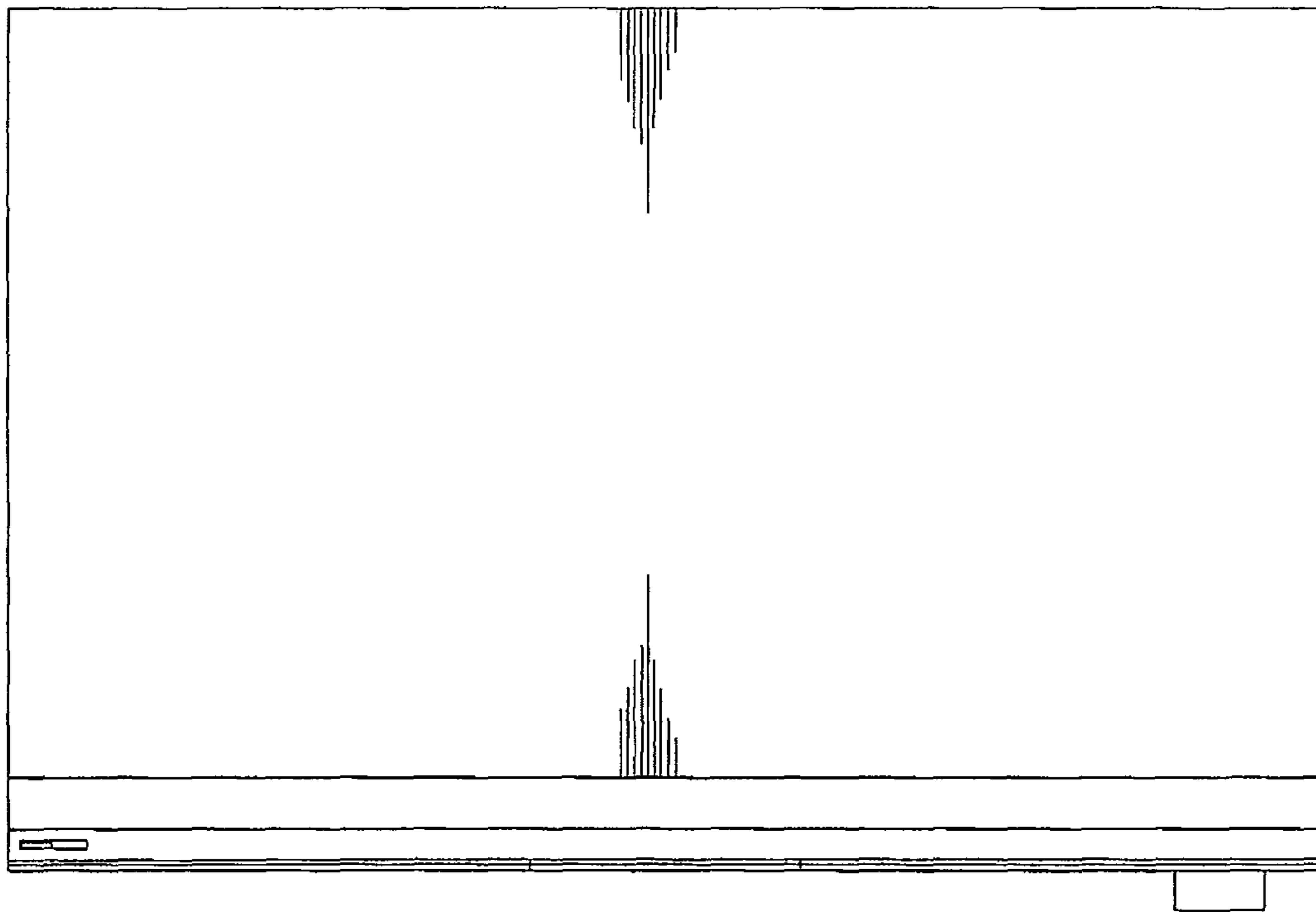


FIG. 6

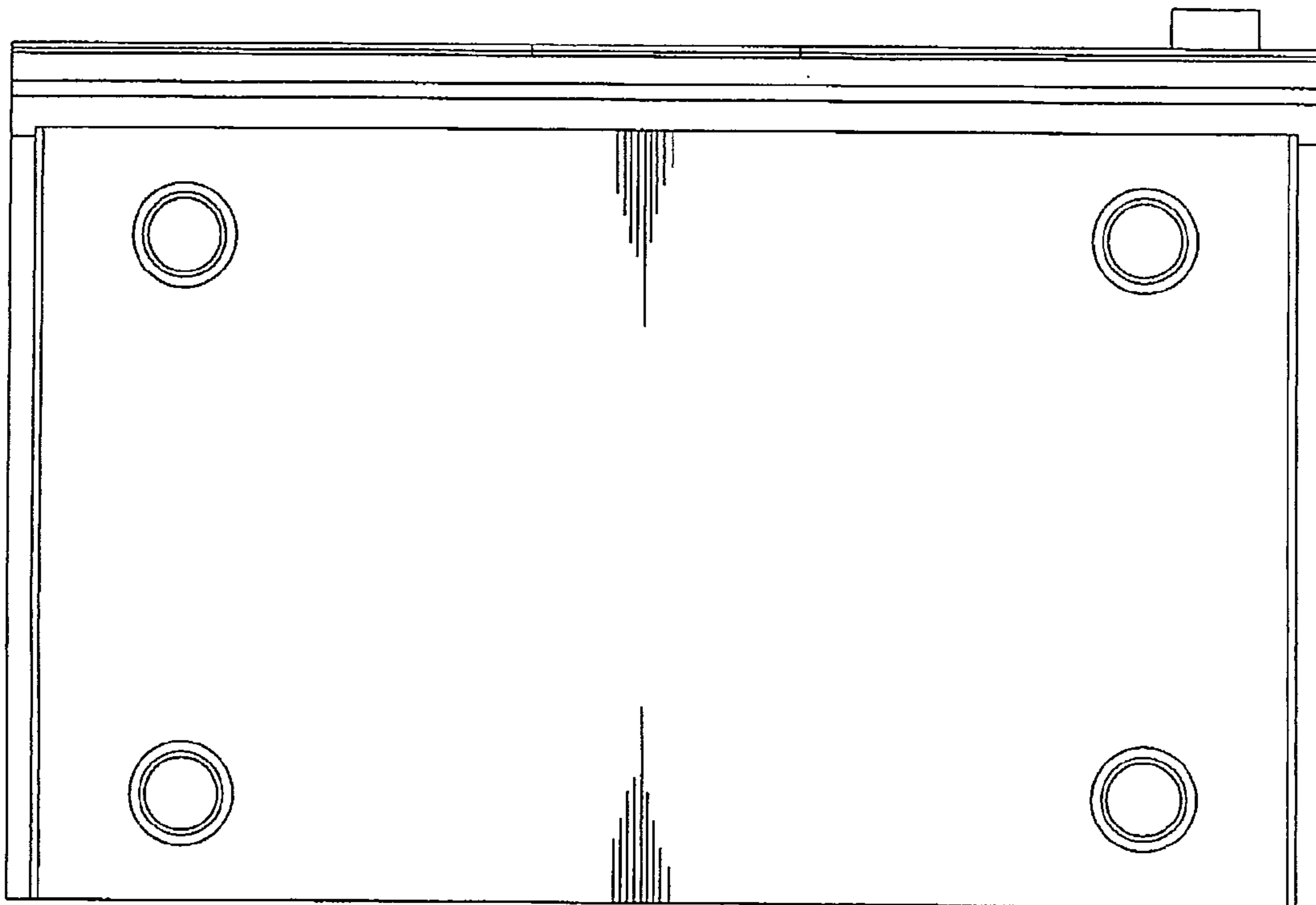


FIG. 7

