



US00D636372S

(12) **United States Design Patent**  
**Leung**

(10) **Patent No.:** **US D636,372 S**

(45) **Date of Patent:** **\*\* Apr. 19, 2011**

(54) **DIGITAL AUDIO DISC PLAYER WITH  
AMPLIFIER AND TUNER**

(75) Inventor: **Lai Sin Leung**, Zhong Shan (CN)

(73) Assignee: **Teac Corporation**, Tama-Shi, Tokyo  
(JP)

(\*\*) Term: **14 Years**

(21) Appl. No.: **29/347,762**

(22) Filed: **May 21, 2010**

(30) **Foreign Application Priority Data**

Dec. 25, 2009 (CN) ..... 2009 3 0681658

(51) **LOC (9) Cl.** ..... **14-01**

(52) **U.S. Cl.** ..... **D14/168**

(58) **Field of Classification Search** ..... D14/496,  
D14/498-511, 167-168, 188, 197-198, 204,  
D14/207, 209.1, 214-216; 360/99.02, 99.07;  
369/75.11, 75.21, 77.11, 77.21; 720/601,  
720/612, 619, 649, 655; 455/344, 347-351

See application file for complete search history.

(56) **References Cited**

**U.S. PATENT DOCUMENTS**

D484,871 S \* 1/2004 Solland ..... D14/216  
D514,090 S \* 1/2006 Carbone et al. .... D14/209.1

D516,538 S \* 3/2006 Hibi ..... D14/168  
D547,746 S \* 7/2007 Allen ..... D14/211  
D554,619 S \* 11/2007 Solland ..... D14/215  
D587,238 S \* 2/2009 Xie ..... D14/172  
D591,727 S \* 5/2009 Lui ..... D14/216

\* cited by examiner

*Primary Examiner* — Nanda Bondade

(74) *Attorney, Agent, or Firm* — Manabu Kanesaka

(57) **CLAIM**

The ornamental design for a digital audio disc player with amplifier and tuner, as shown and described.

**DESCRIPTION**

FIG. 1 is a perspective view of a digital audio disc player with amplifier and tuner showing my new design;

FIG. 2 is a front view thereof;

FIG. 3 is a rear view thereof;

FIG. 4 is a top plan view thereof;

FIG. 5 is a bottom view thereof;

FIG. 6 is a right side view thereof;

FIG. 7 is a left side view thereof; and,

FIG. 8 is a front perspective view thereof in a usage state.

The broken line showing on the drawing disclosure is for illustrative purposes only and forms no part of the claimed design.

**1 Claim, 7 Drawing Sheets**

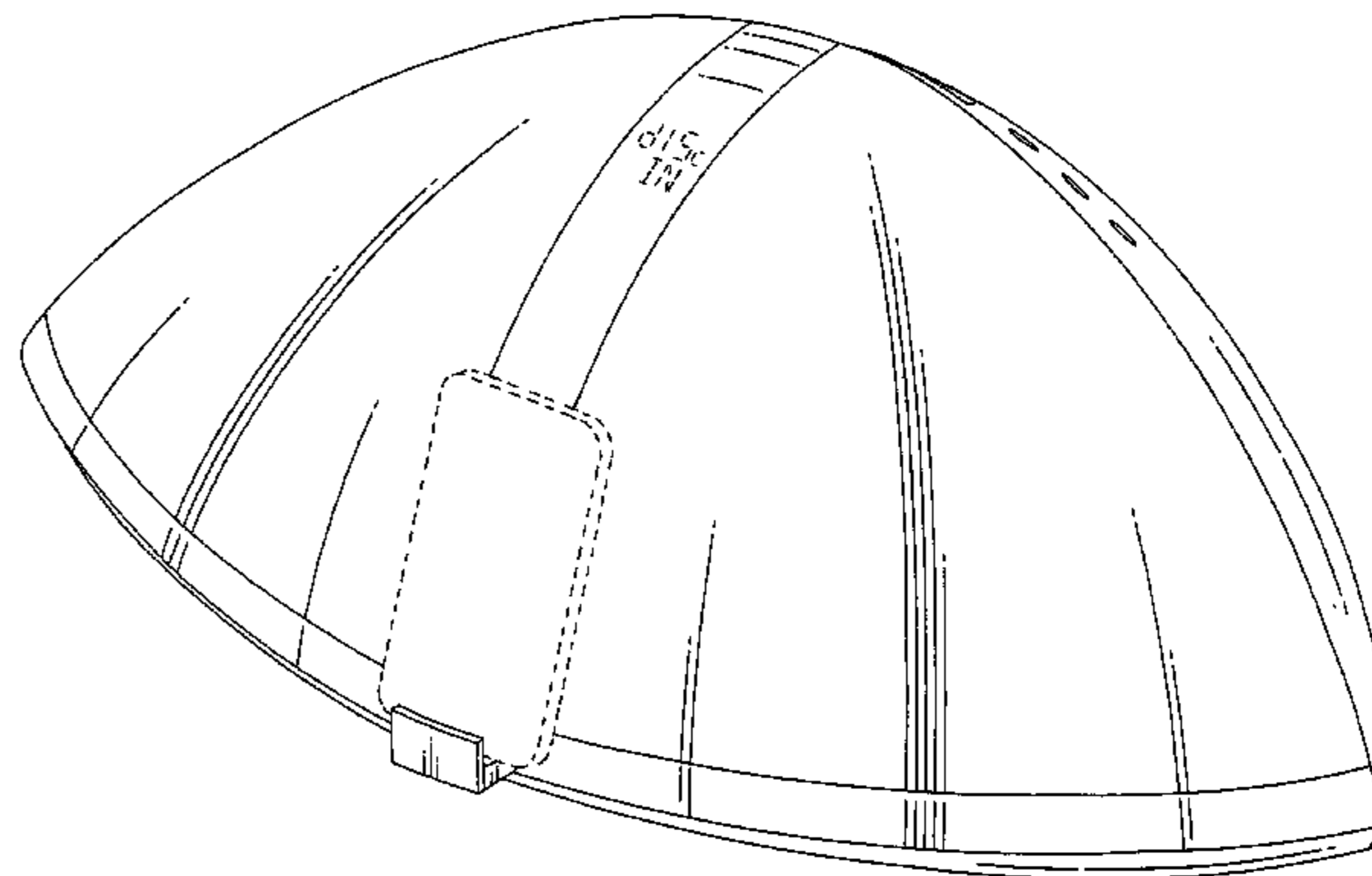
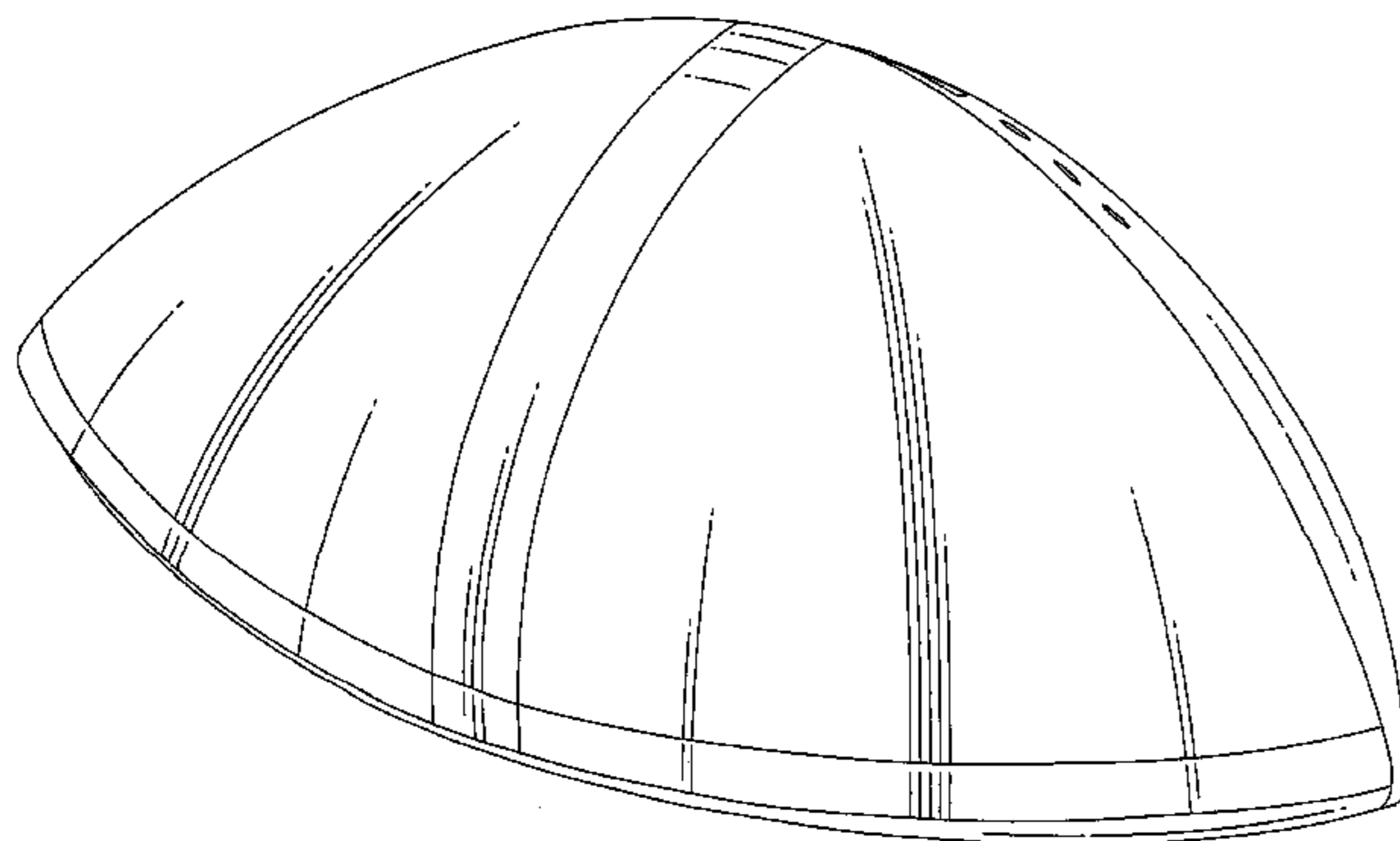


FIG.1

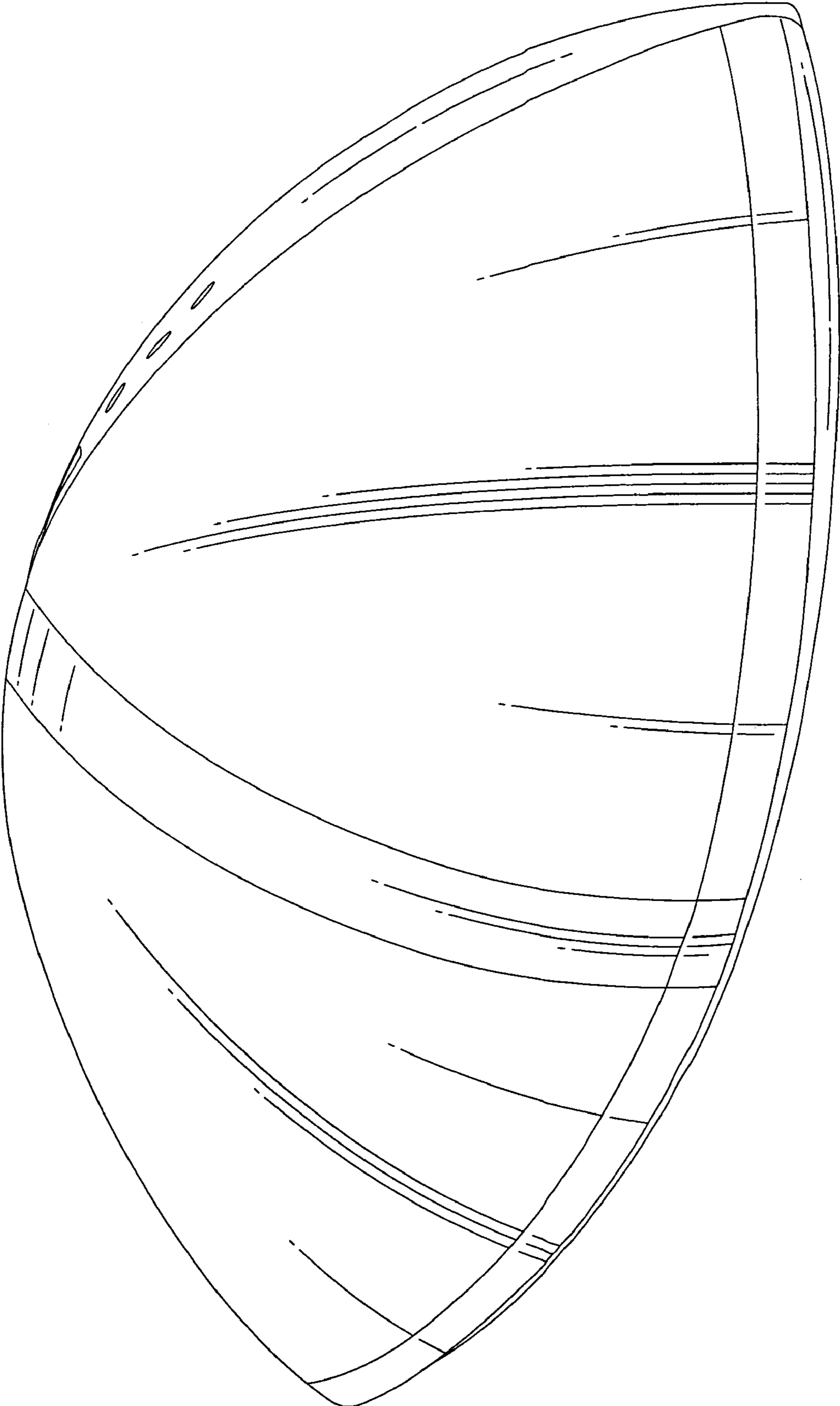


FIG.2

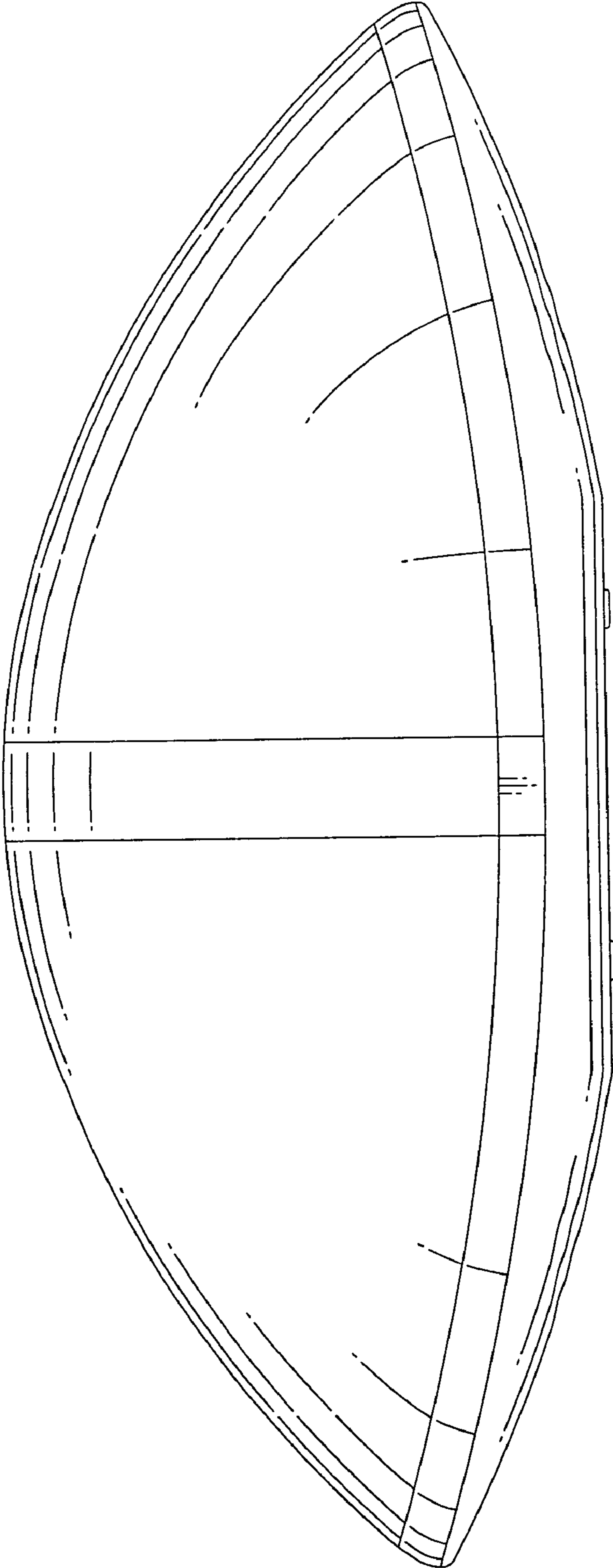


FIG.3

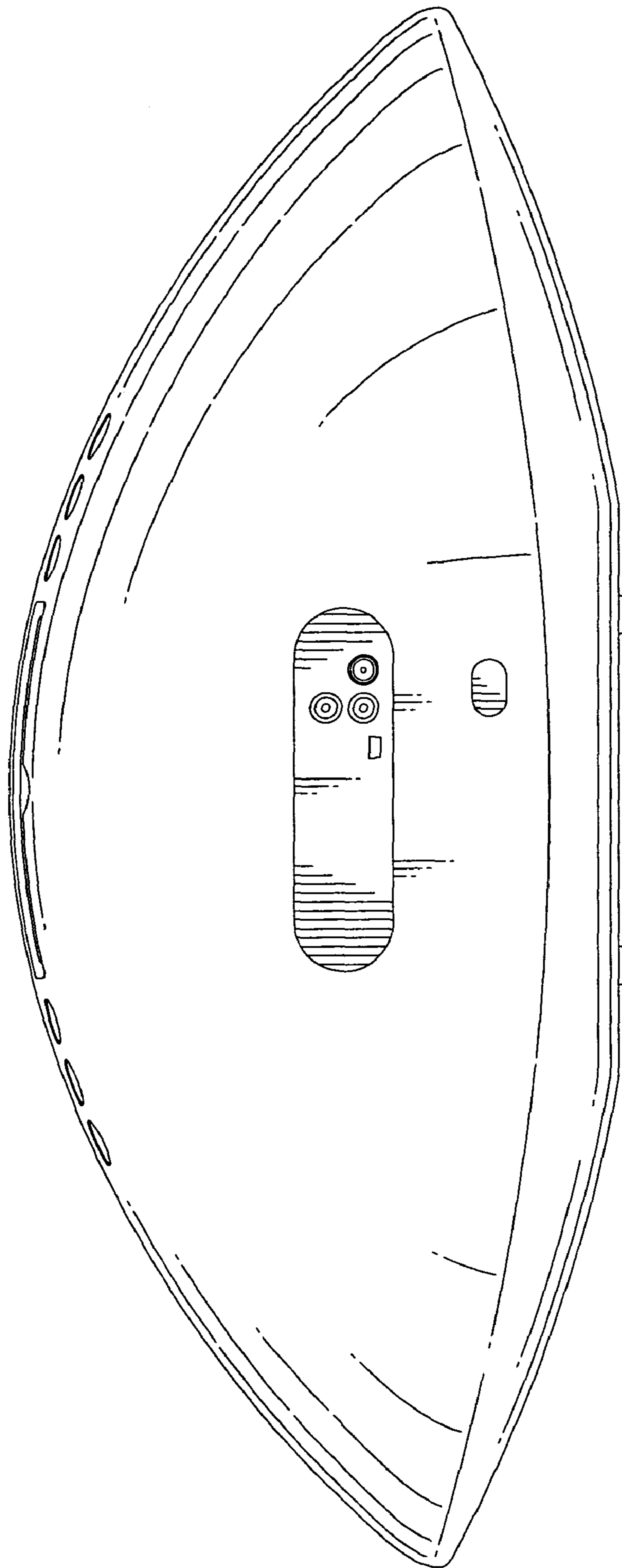


FIG.4

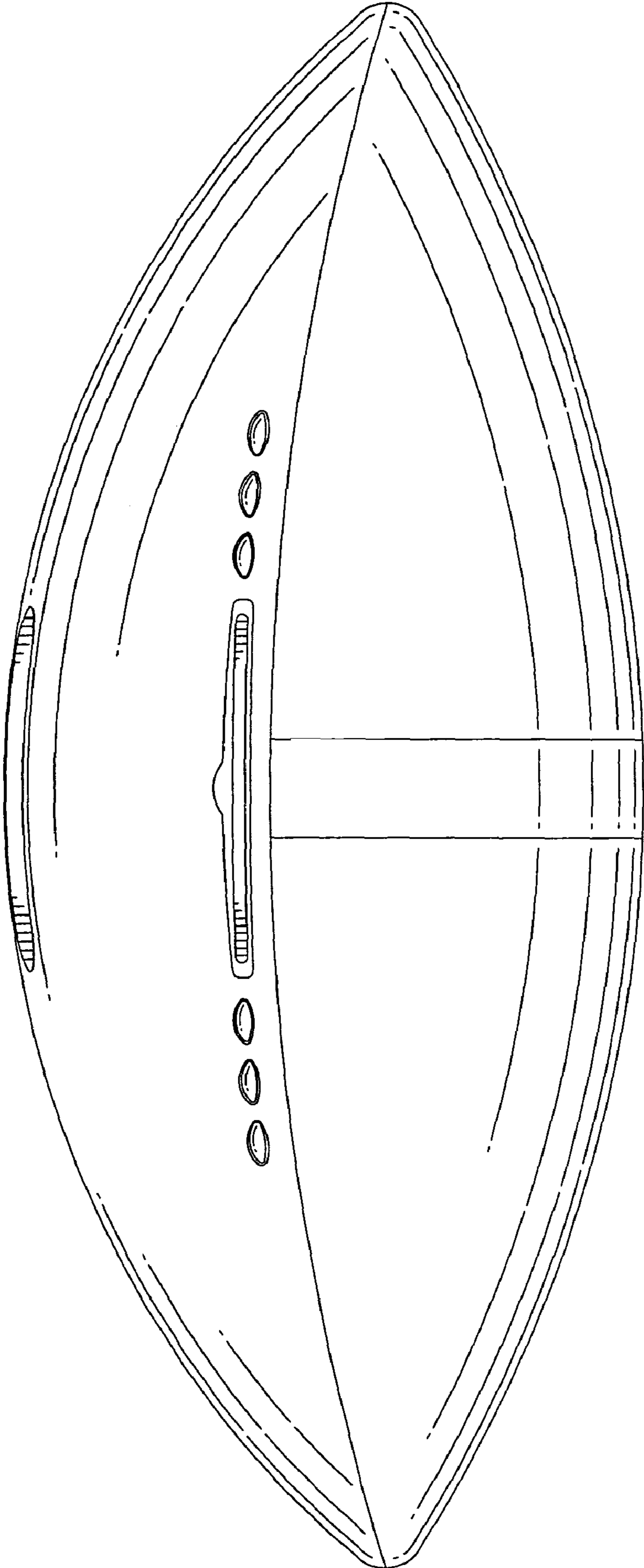


FIG.5

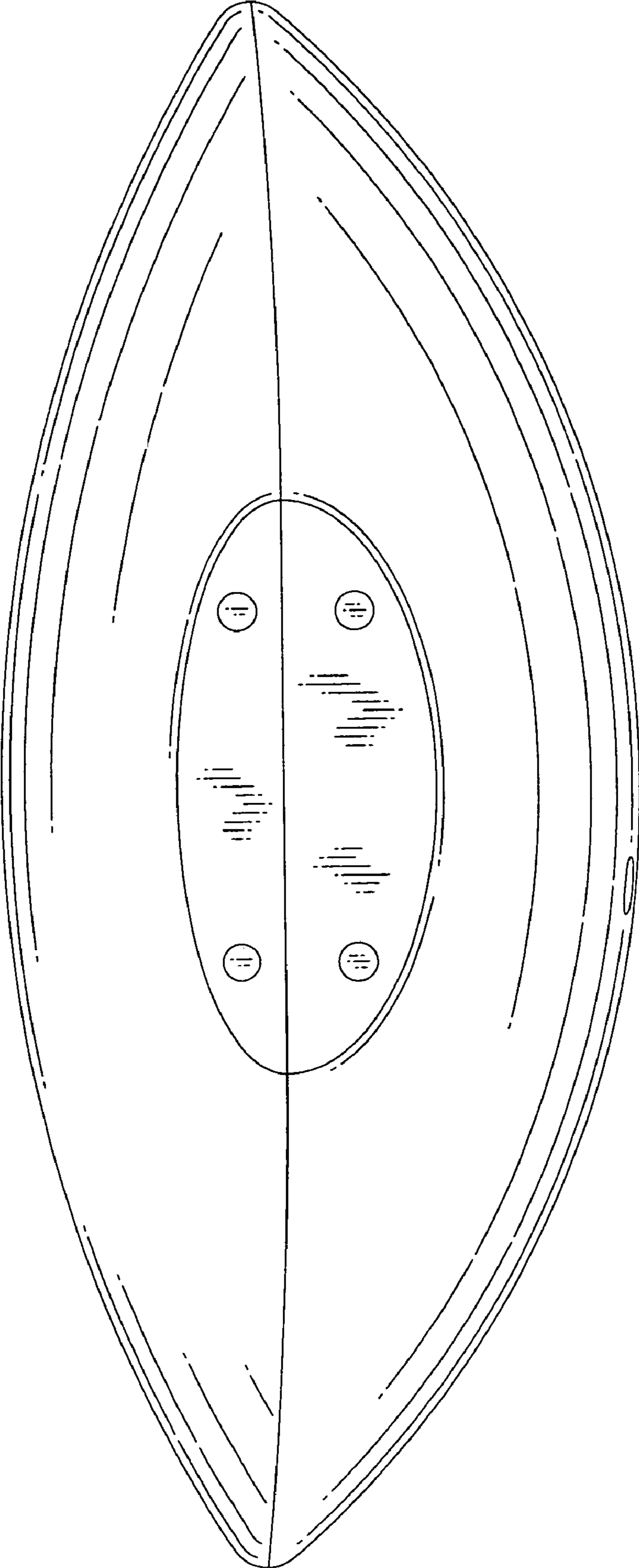


FIG.6

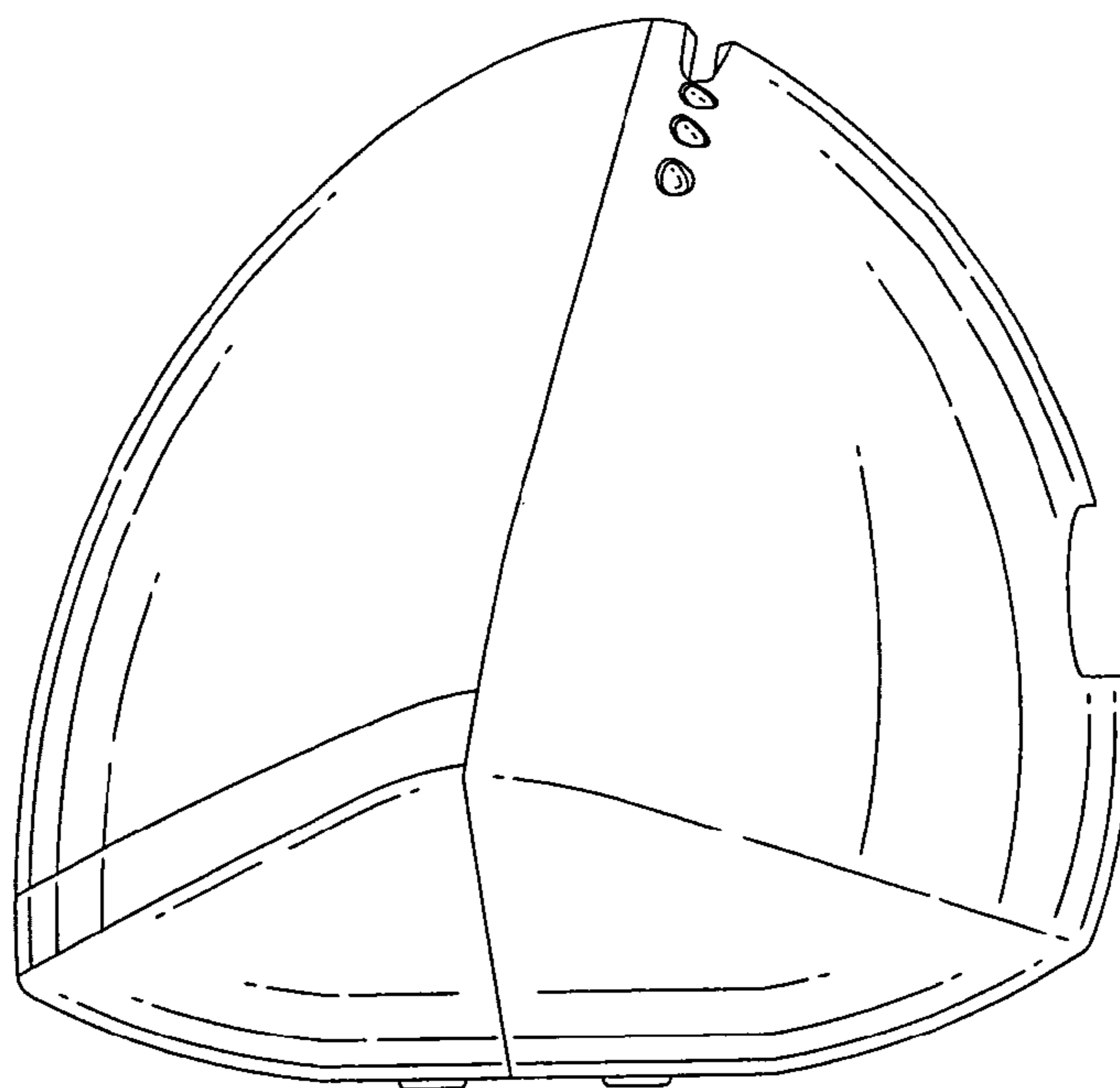


FIG.7

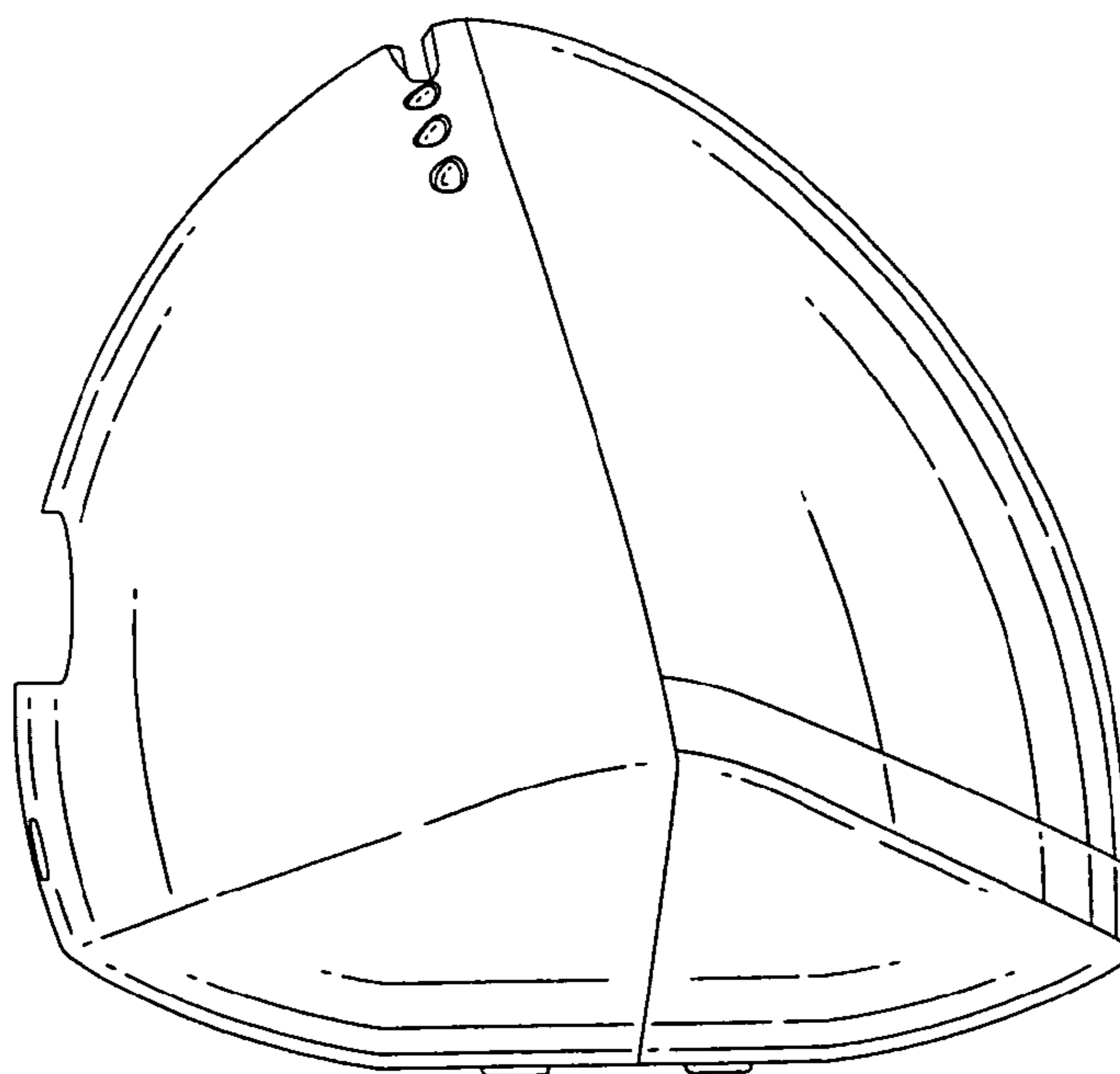


FIG. 8

