



US00D636369S

(12) **United States Design Patent**
Li

(10) **Patent No.:** **US D636,369 S**
(45) **Date of Patent:** **** Apr. 19, 2011**

(54) **MOBILE PHONE**

(75) Inventor: **Jian-Hui Li**, Shenzhen (CN)

(73) Assignee: **FIH (Hong Kong) Limited**, Kowloon (HK)

(**) Term: **14 Years**

(21) Appl. No.: **29/377,414**

(22) Filed: **Oct. 21, 2010**

(51) **LOC (9) Cl.** **14-03**

(52) **U.S. Cl.** **D14/138 AB; D14/138 R**

(58) **Field of Classification Search** D14/138 AA, D14/138 AB, 138 R, 138 AD, 138 AC, 138 G, D14/341, 345, 346, 203.4, 203.7, 203.1, 203.3, D14/496, 144; 455/575.3, 575.1, 575.4, 455/556.2; 379/433.01, 433.04, 433.1, 433.13; D21/517; D13/102

See application file for complete search history.

(56) **References Cited**

U.S. PATENT DOCUMENTS

D258,892 S * 4/1981 Ohie et al. D18/7
D321,865 S * 11/1991 Derocher D14/345
5,792,279 A * 8/1998 Tsuboi et al. 136/245

(Continued)

OTHER PUBLICATIONS

Motorola Cupe telephone, announced Sep. 2010, [online], [site visited Dec. 12, 2010]. Available from Internet ,<URL: <http://www.gsmarena.com>>.*

(Continued)

Primary Examiner — Jeffrey D Asch

(74) *Attorney, Agent, or Firm* — Steven M. Reiss

(57) **CLAIM**

The ornamental design for a mobile phone, as shown and described.

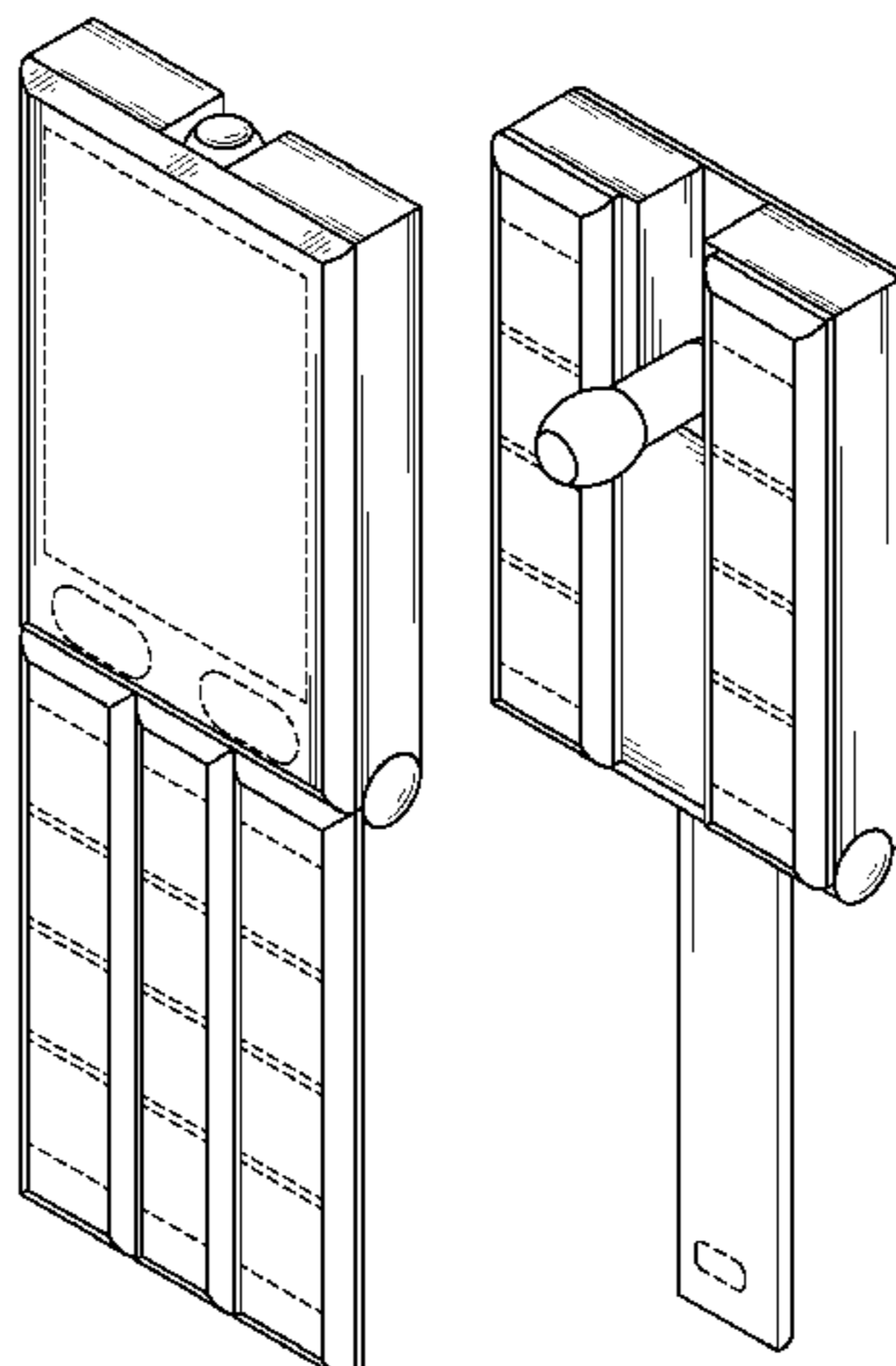
DESCRIPTION

FIG. 1 is a perspective view of a mobile phone showing my new design and in a first configuration;
FIG. 2 is a front elevational view of the new design and in the first configuration;

FIG. 3 is a rear elevational view of the new design and in the first configuration;
FIG. 4 is a right side elevational view of the new design and in the first configuration;
FIG. 5 is a left side elevational view of the new design and in the first configuration;
FIG. 6 is a top plan view of the new design and in the first configuration;
FIG. 7 is a bottom plan view of the new design and in the first configuration;
FIG. 8 is a perspective view of the mobile phone of FIG. 1 in a second configuration;
FIG. 9 is a front elevational view of the new design and in the second configuration;
FIG. 10 is a rear elevational view of the new design and in the second configuration;
FIG. 11 is a right side elevational view of the new design and in the second configuration;
FIG. 12 is a left side elevational view of the new design and in the second configuration;
FIG. 13 is a top plan view of the new design and in the second configuration;
FIG. 14 is a bottom plan view of the new design and in the second configuration;
FIG. 15 is a perspective view of the mobile phone of FIG. 1 in a third configuration;
FIG. 16 is a front elevational view of the new design and in the third configuration;
FIG. 17 is a rear elevational view of the new design and in the third configuration;
FIG. 18 is a right side elevational view of the new design and in the third configuration;
FIG. 19 is a left side elevational view of the new design and in the third configuration;
FIG. 20 is a top plan view of the new design and in the third configuration; and,
FIG. 21 is a bottom plan view of the new design and in the third configuration.

The broken lines shown throughout the views, which are immediately adjacent to the shaded areas and define unshaded regions, represent the bounds of the claimed design, while all other broken lines are directed to environment and are for illustrative purposes only; the broken lines form no part of the claimed design. The framed inner elongated rectangular surface of each of the three individual features on the rear is not a part of the claimed design.

1 Claim, 21 Drawing Sheets



US D636,369 S

Page 2

U.S. PATENT DOCUMENTS

5,898,932 A * 4/1999 Zurlo et al. 455/573
D411,537 S * 6/1999 Lee D14/138 G
D421,256 S * 2/2000 Sato et al. D14/138 AA
D421,257 S * 2/2000 Sato et al. D14/138 AB
6,044,230 A * 3/2000 Tsuboi 396/304
6,084,379 A * 7/2000 Buniatyan 320/101
6,847,834 B1 * 1/2005 Leem 455/572
7,016,703 B2 * 3/2006 Kishimoto et al. 455/566
D546,805 S * 7/2007 Kim et al. D14/138 AA
D546,824 S * 7/2007 Jackson, Jr. D14/341
D560,606 S * 1/2008 McClintock et al. D13/102
D567,207 S * 4/2008 Kim et al. D14/138 AB
D586,773 S * 2/2009 Kim et al. D14/138 AB
D598,156 S * 8/2009 Xiao et al. D26/69
D614,602 S * 4/2010 Yoo D14/203.7

D625,698 S * 10/2010 Miyazaki et al. D14/138 AB
D628,548 S * 12/2010 Park et al. D14/138 G
2001/0049293 A1 * 12/2001 Shimazaki 455/550
2003/0003956 A1 * 1/2003 Maenpaa et al. 455/556
2008/0125197 A1 * 5/2008 Hongo et al. 455/575.3
2010/0004036 A1 * 1/2010 Liu 455/575.1
2010/0159997 A1 * 6/2010 Wang 455/566
2010/0304799 A1 * 12/2010 Leung et al. 455/575.3

OTHER PUBLICATIONS

Samsung S5150 Diva folder telephone, announced Dec. 2009, [online], [site visited Dec. 12, 2010]. Available from Internet ,<URL: <http://www.gsmarena.com>>.*

* cited by examiner

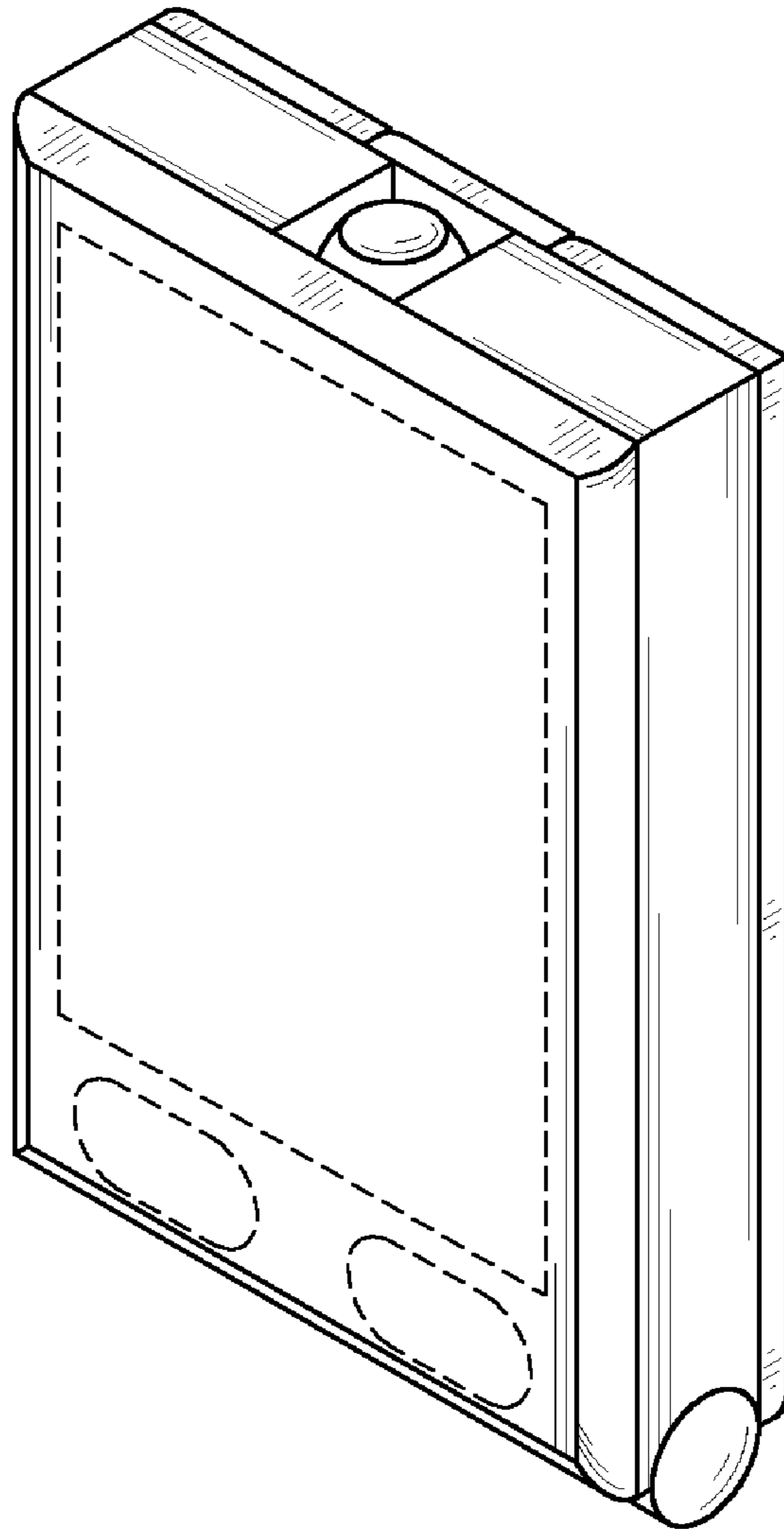


FIG. 1

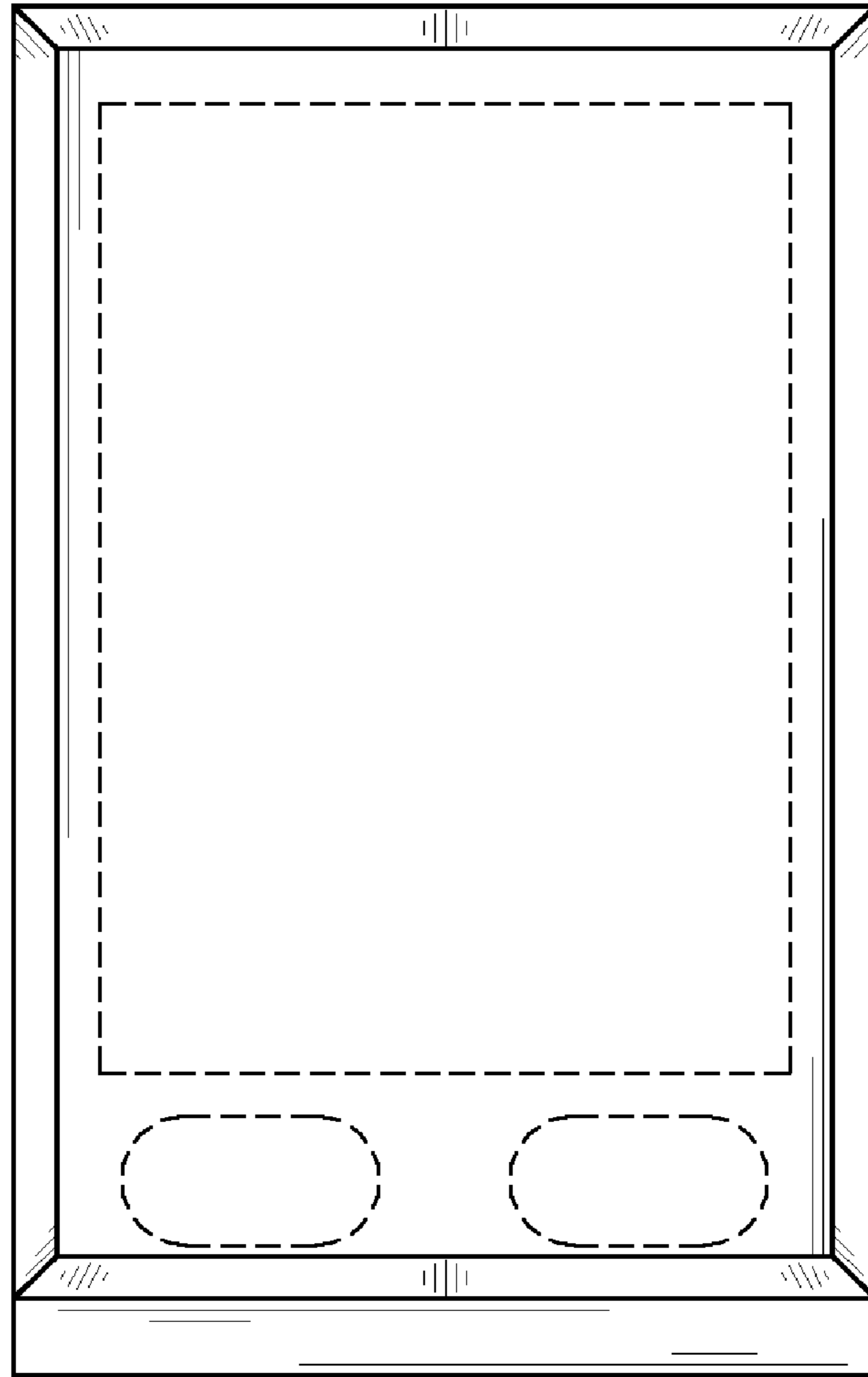


FIG. 2

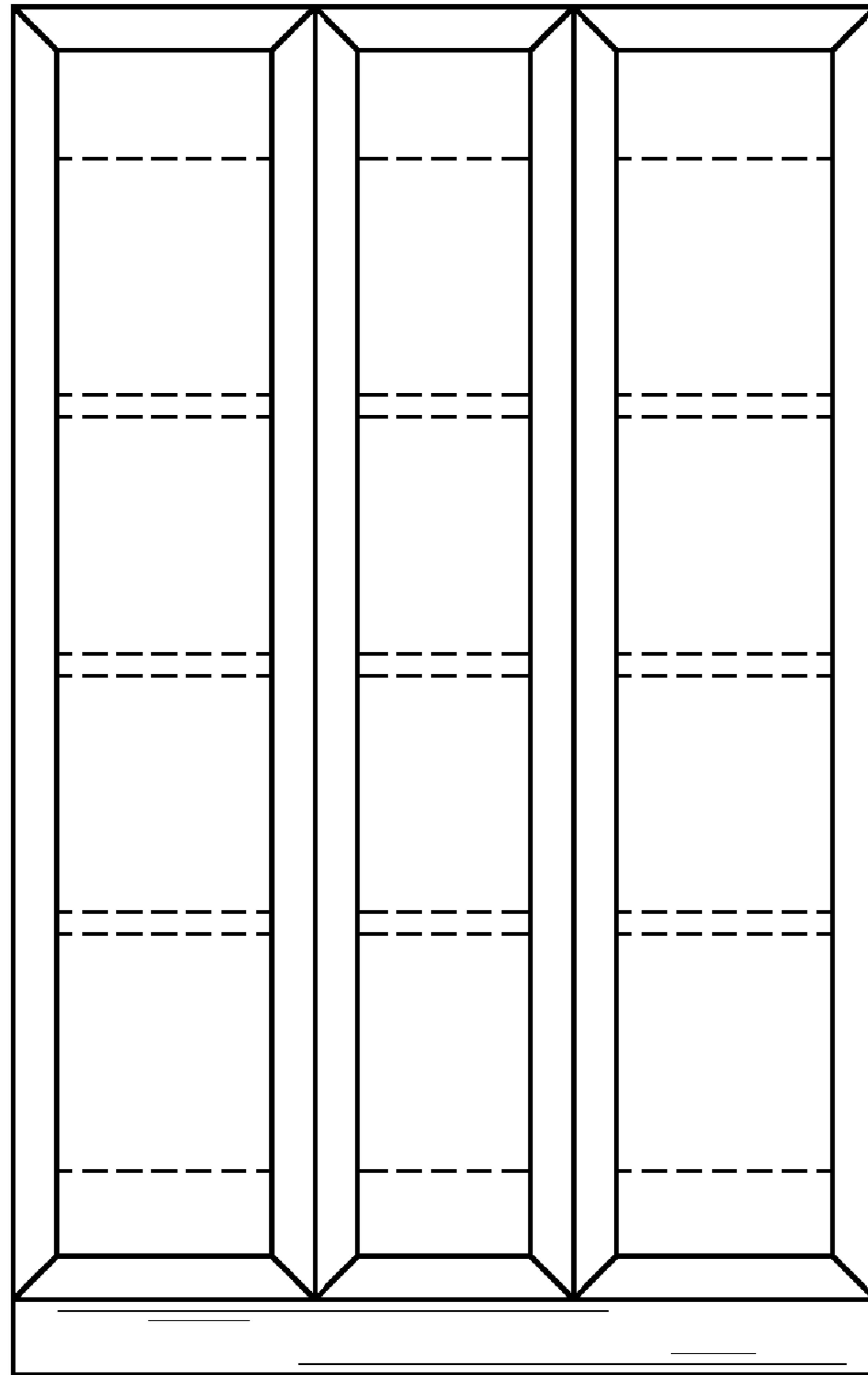


FIG. 3

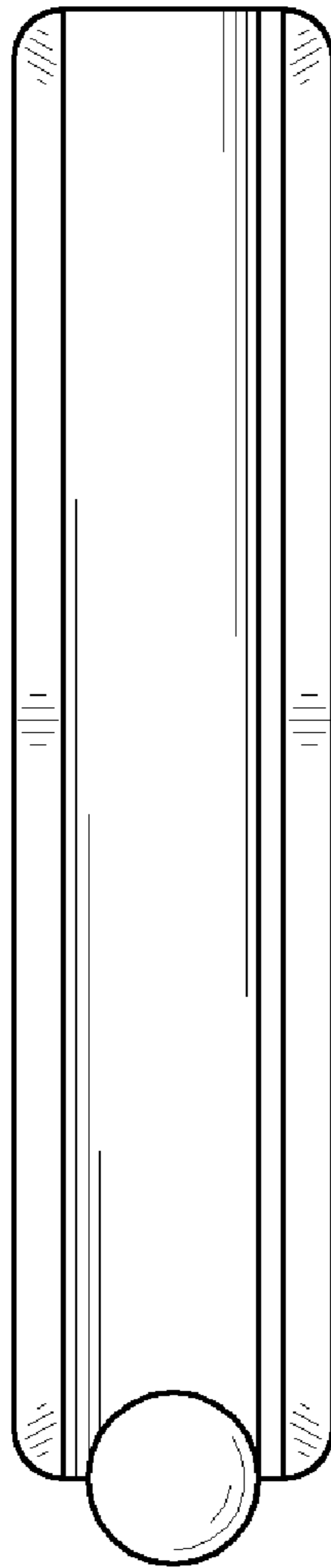


FIG. 4

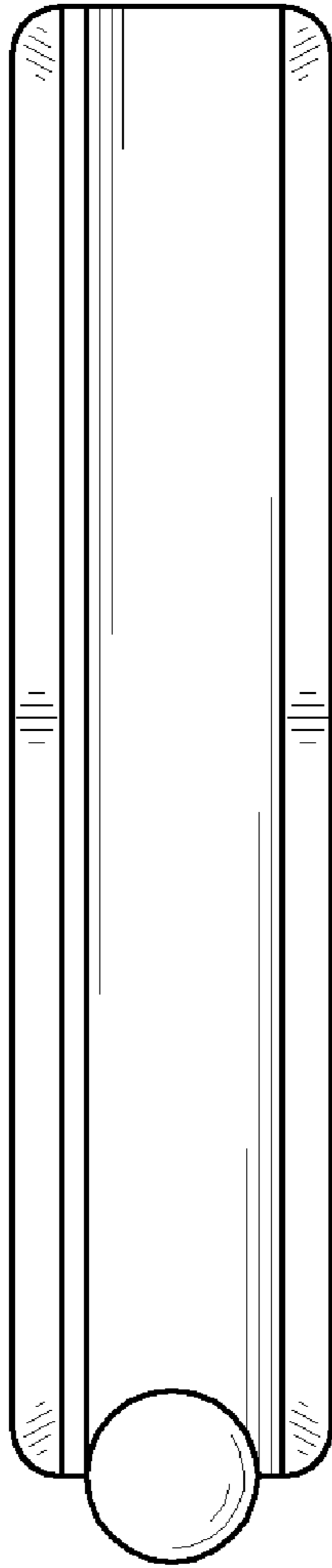


FIG. 5

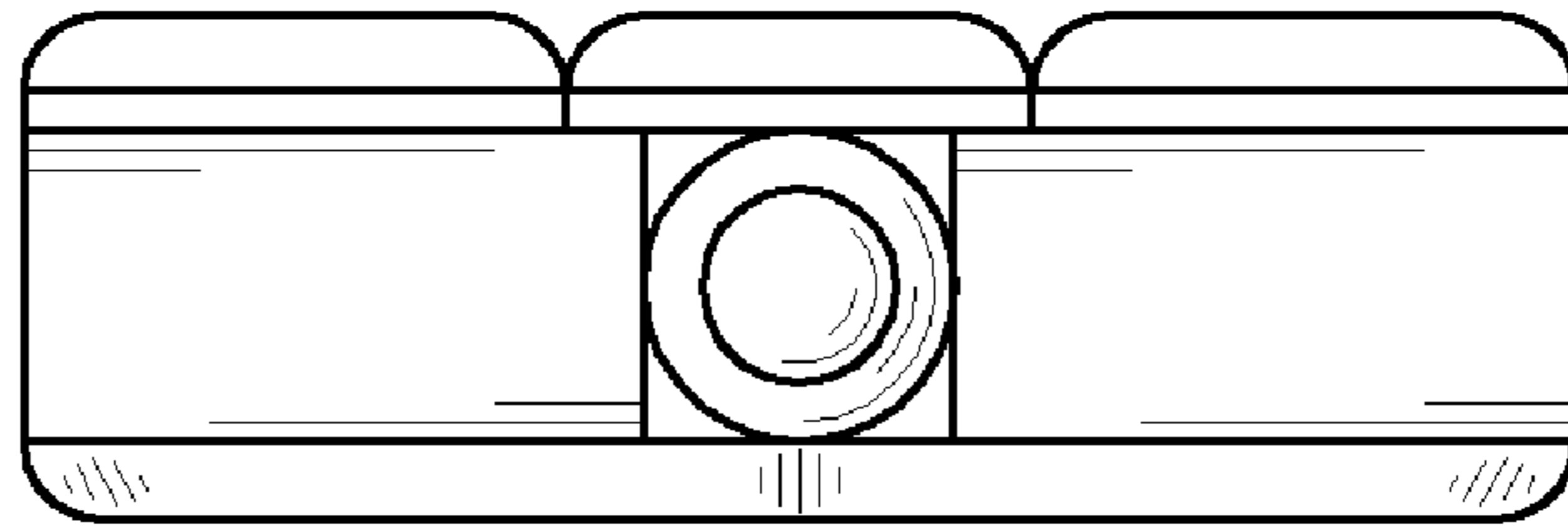


FIG. 6

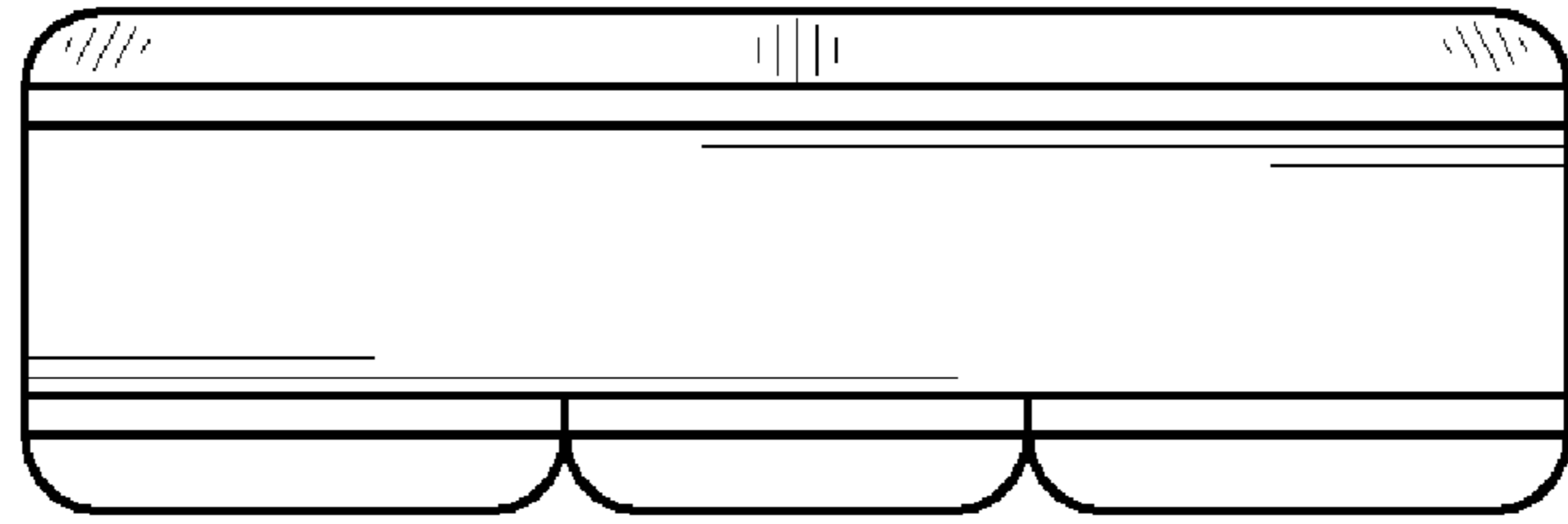


FIG. 7

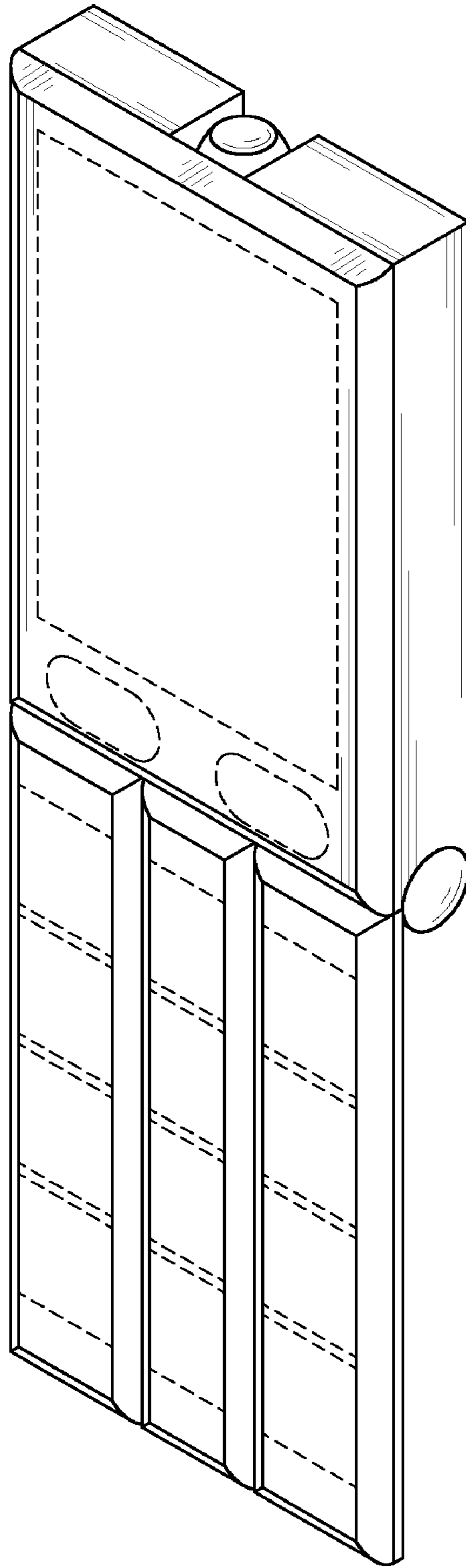


FIG. 8

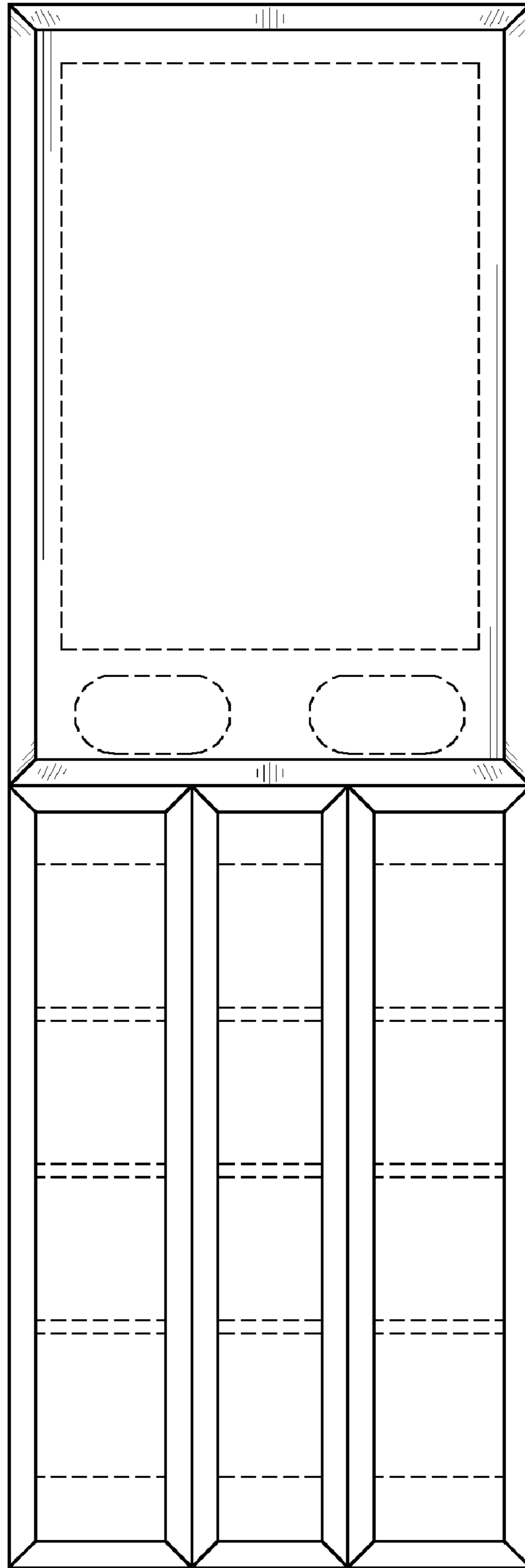


FIG. 9

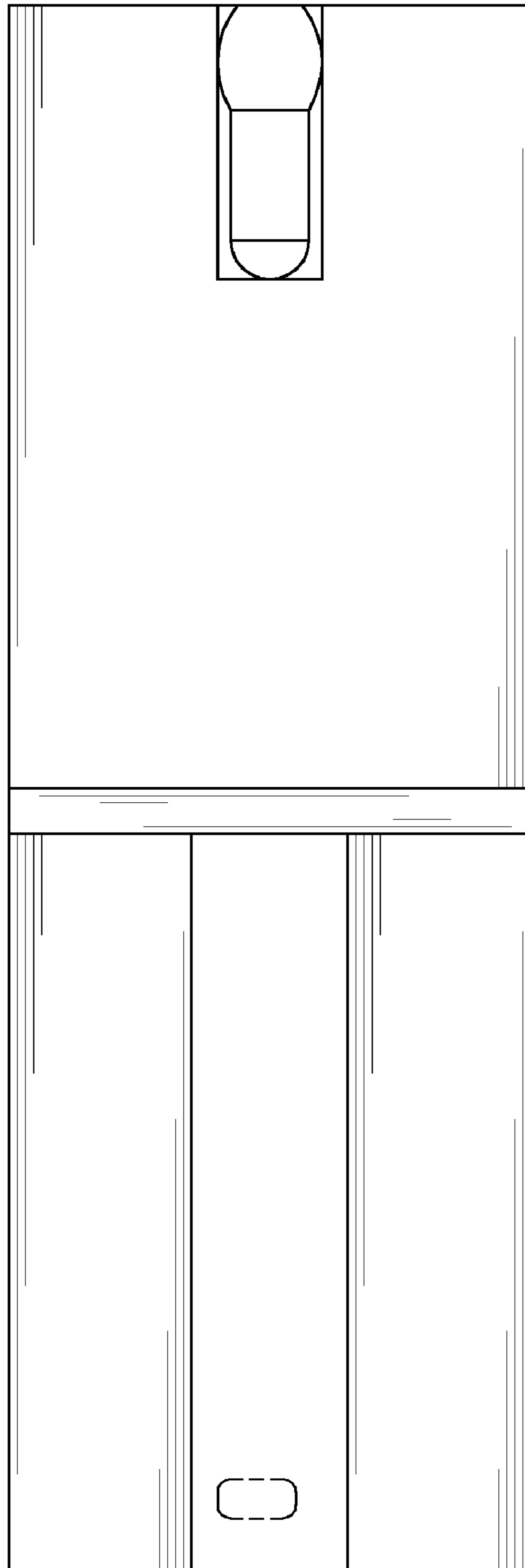


FIG. 10

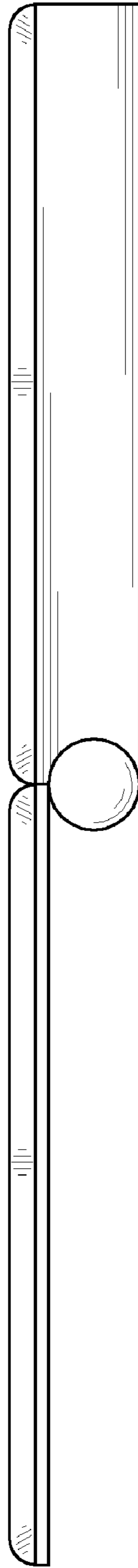


FIG. 11

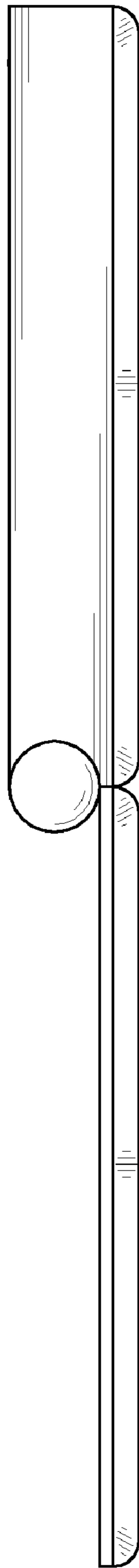


FIG. 12

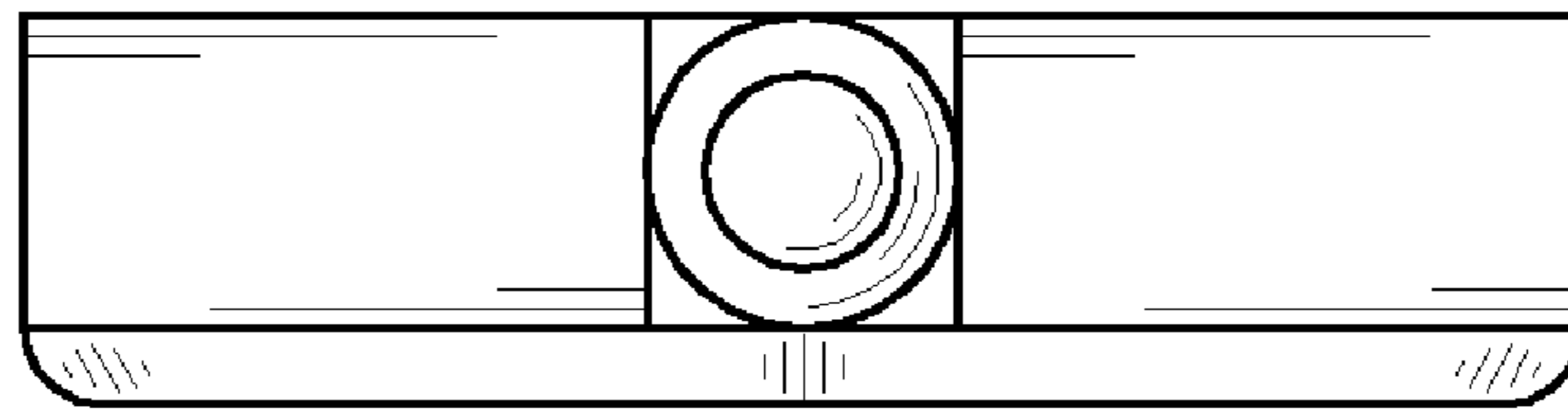


FIG. 13

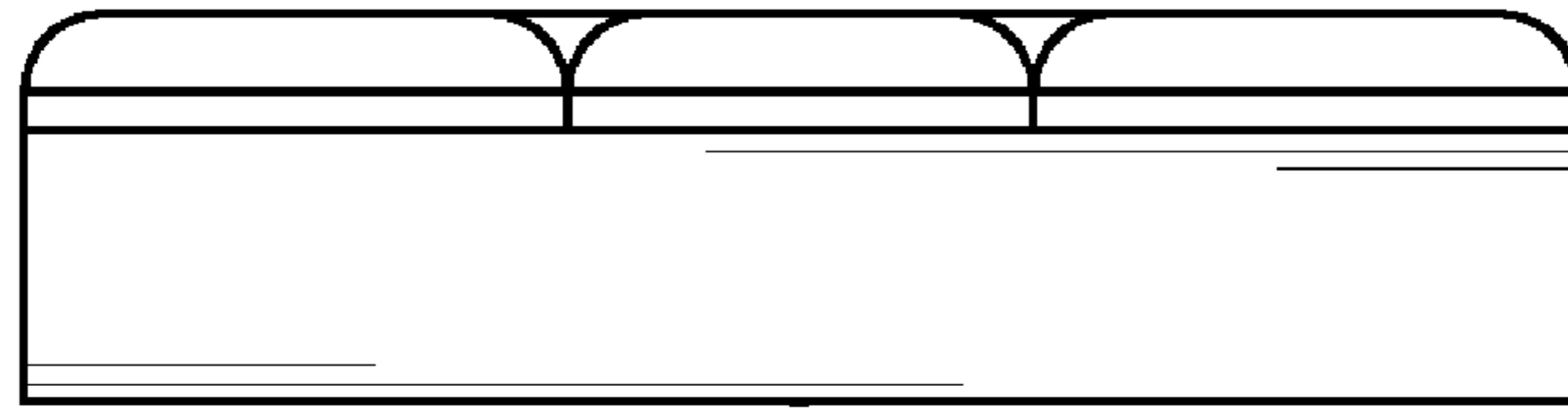


FIG. 14

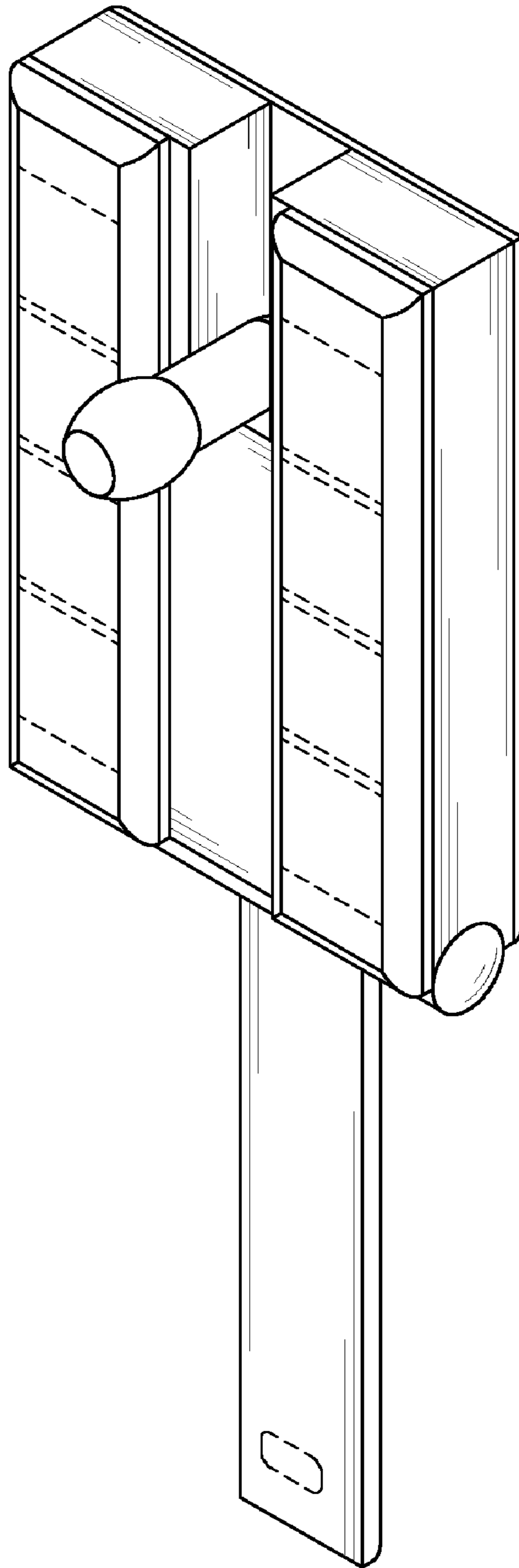


FIG. 15

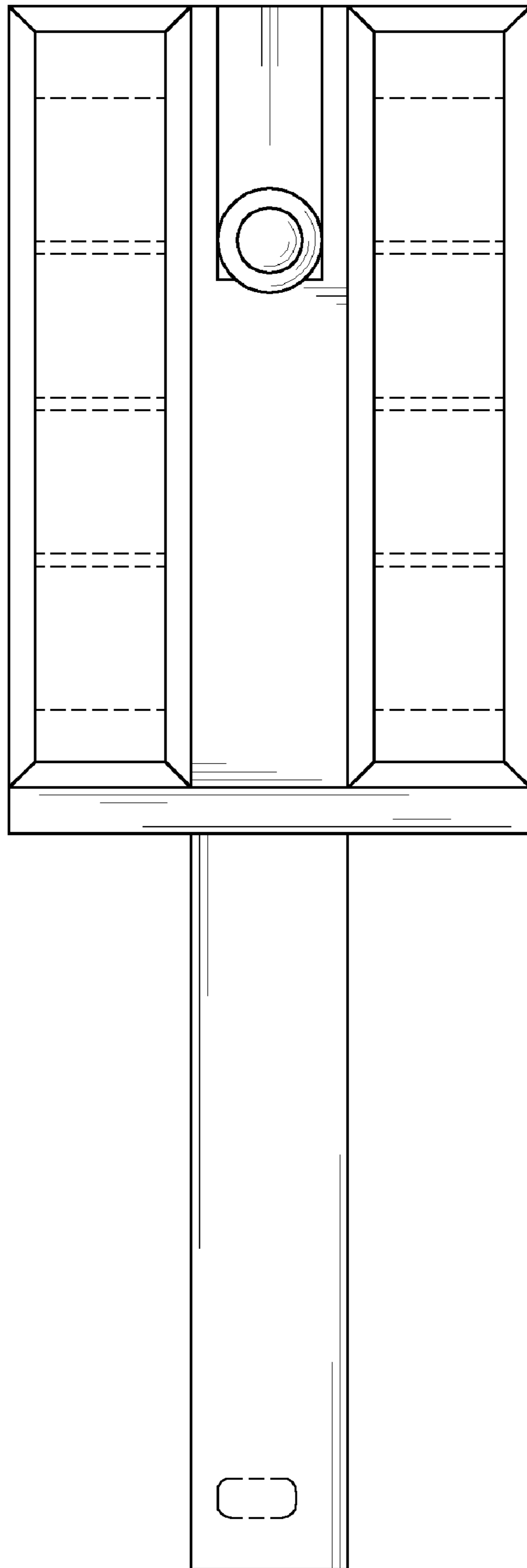


FIG. 16

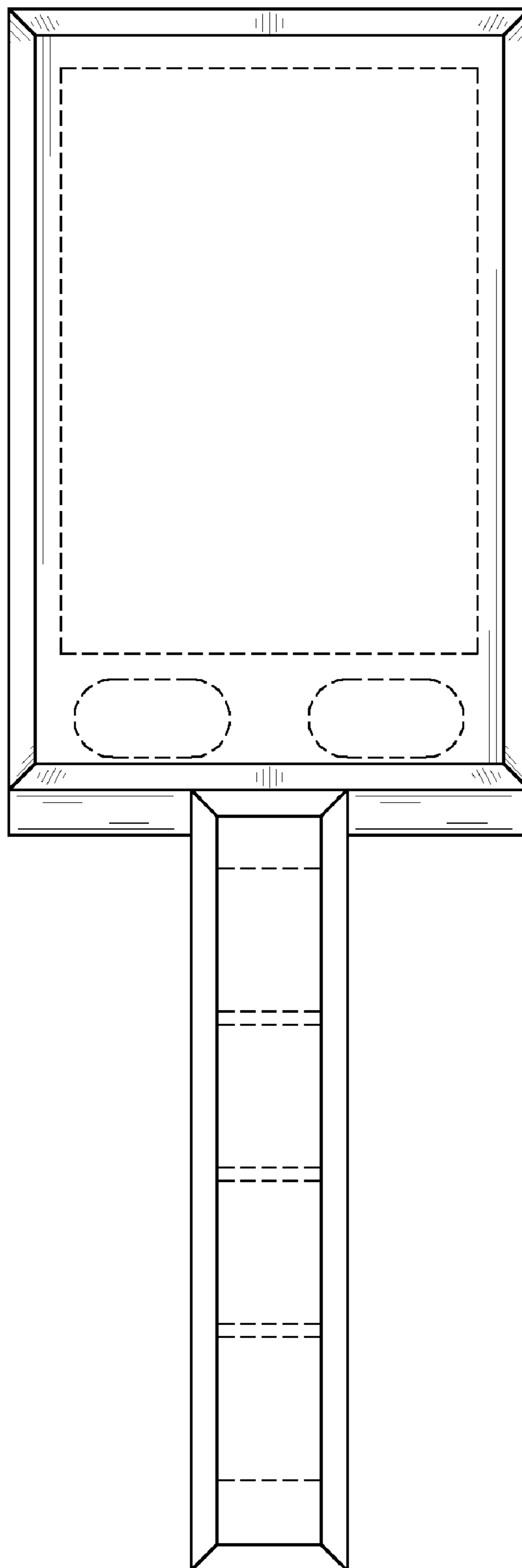


FIG. 17

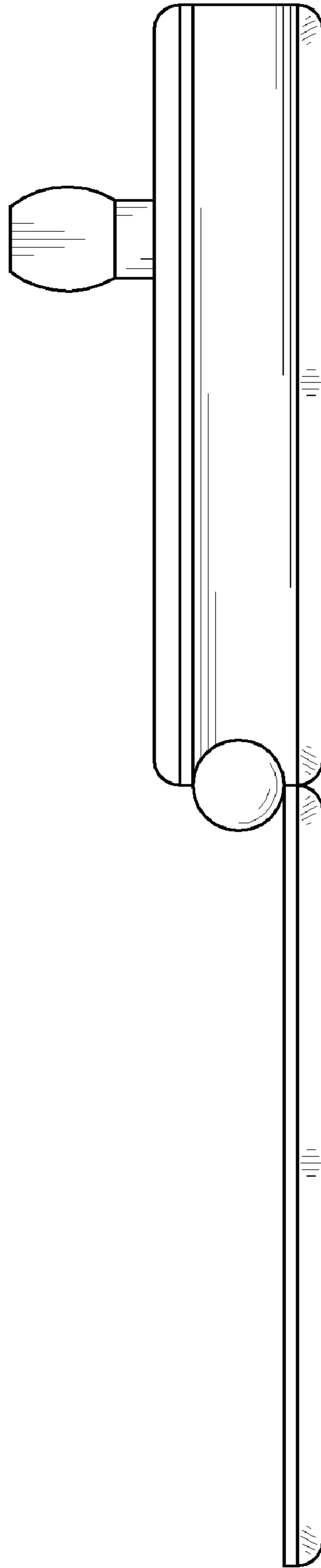


FIG. 18

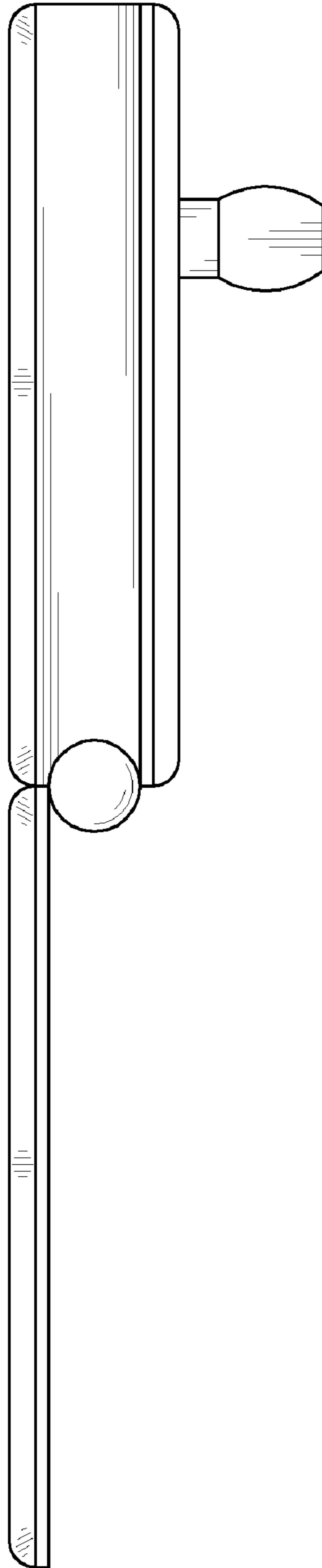


FIG. 19

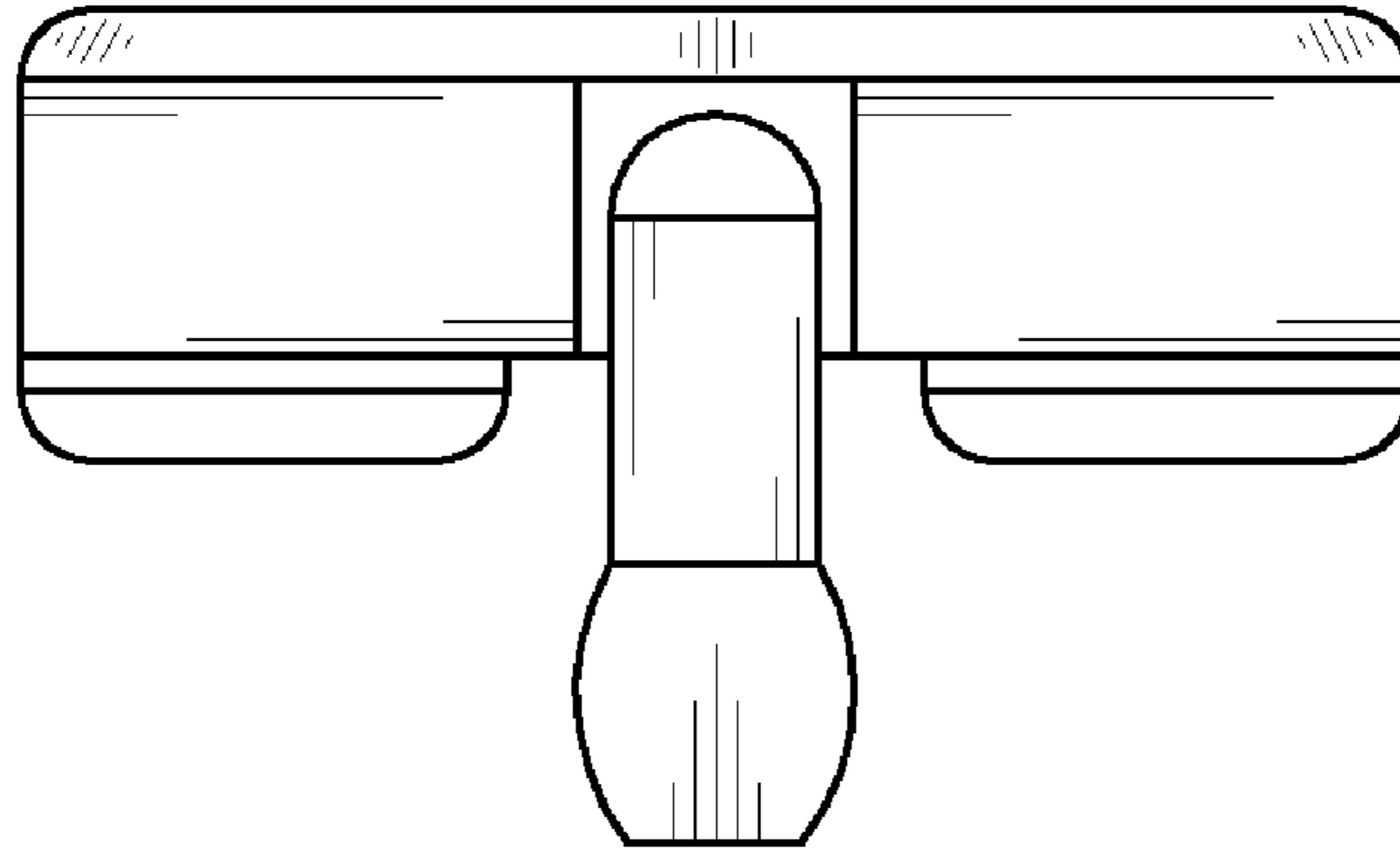


FIG. 20

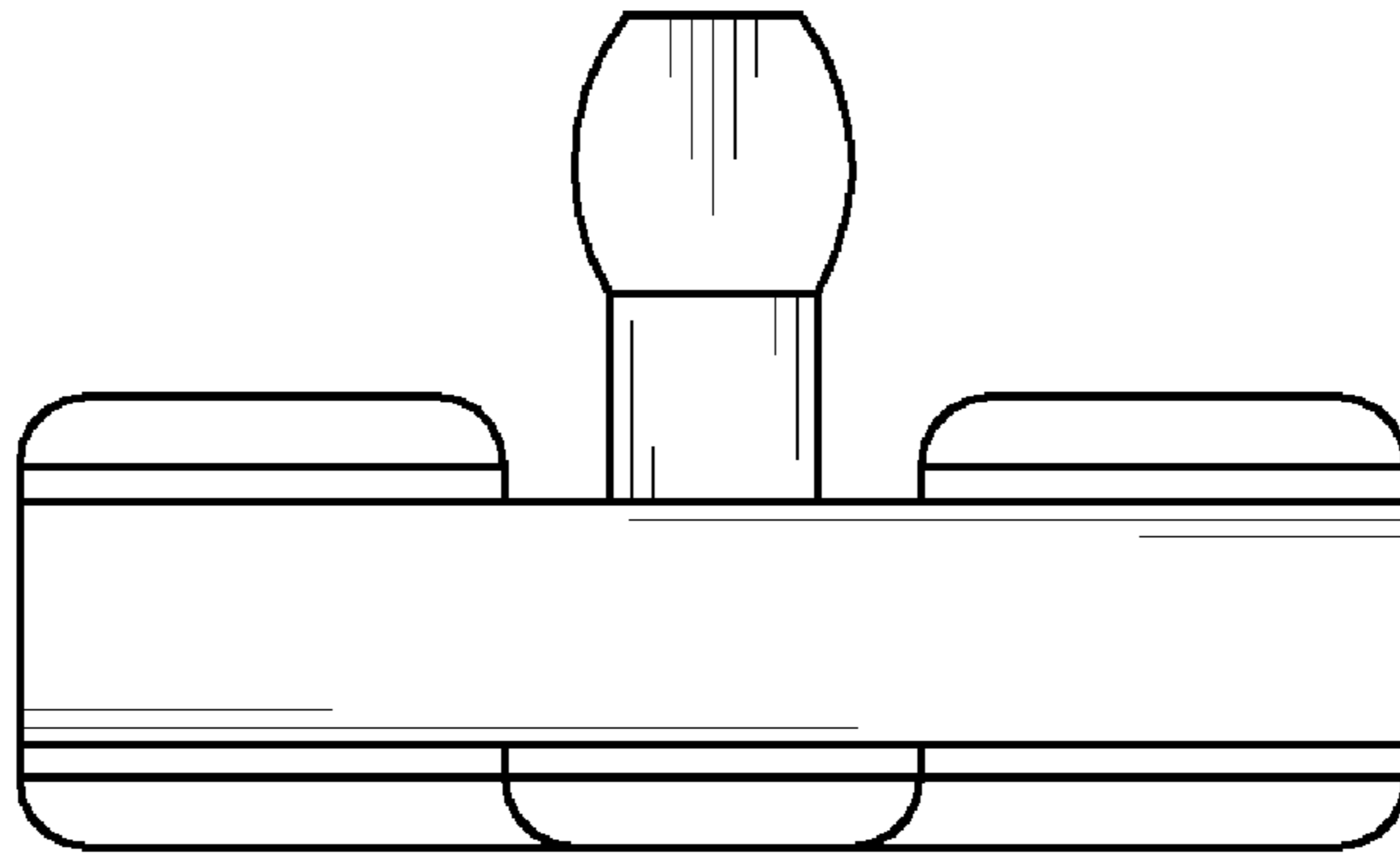


FIG. 21