



US00D636365S

(12) **United States Design Patent**
Cheng et al.

(10) **Patent No.:** **US D636,365 S**
(45) **Date of Patent:** **** Apr. 19, 2011**

(54) **COMMUNICATION DEVICE**

(75) Inventors: **Yu-Yin Cheng**, Beijing (CN); **Fu-Yuan Hsu**, Beijing (CN); **Jia-Jun Mo**, Beijing (CN)

(73) Assignee: **Motorola Mobility, Inc.**, Libertyville, IL (US)

(**) Term: **14 Years**

(21) Appl. No.: **29/362,810**

(22) Filed: **Jun. 1, 2010**

(51) **LOC (9) Cl.** **14-03**

(52) **U.S. Cl.** **D14/138 G**

(58) **Field of Classification Search** D14/138 R,
D14/138 AD, 138 AC, 138 C, 138 G, 191,
D14/203.1–203.8, 496, 138 AA, 138 AB,
D14/137, 147, 218, 341–347, 247–248; D10/65,
D10/78, 104; D13/168; D18/7; 455/566,
455/575.1, 575.3, 575.4

See application file for complete search history.

(56) **References Cited**

U.S. PATENT DOCUMENTS

D445,101	S	*	7/2001	Lee et al.	D14/138 AB
D490,419	S	*	5/2004	Shiue et al.	D14/341
D526,302	S	*	8/2006	Kim	D14/138 AD
D562,292	S	*	2/2008	Park	D14/138 AD
7,369,882	B2	*	5/2008	Hwang et al.	455/575.1
D572,227	S	*	7/2008	Yoon et al.	D14/138 G
D577,704	S	*	9/2008	Park et al.	D14/138 AD
D579,437	S	*	10/2008	Yoon	D14/138 G
D585,040	S	*	1/2009	Kim et al.	D14/138 G
D596,605	S	*	7/2009	Son et al.	D14/138 AD
D597,988	S	*	8/2009	Agin et al.	D14/138 G
D601,988	S	*	10/2009	Bang et al.	D14/138 G
D605,158	S	*	12/2009	Hung et al.	D14/138 G
D606,512	S	*	12/2009	Wood et al.	D14/203.7
D607,865	S	*	1/2010	Lee et al.	D14/138 AD
D611,023	S	*	3/2010	Wu et al.	D14/138 G

(Continued)

OTHER PUBLICATIONS

Gigabyte GSmart G1305 Boston, announced Apr. 2010, [online], [retrieved on Jun. 11, 2010]. Retrieved from Internet, <URL: http://www.gsmarena.com>.*

(Continued)

Primary Examiner — Jeffrey D Asch
Assistant Examiner — Bridget L Eland

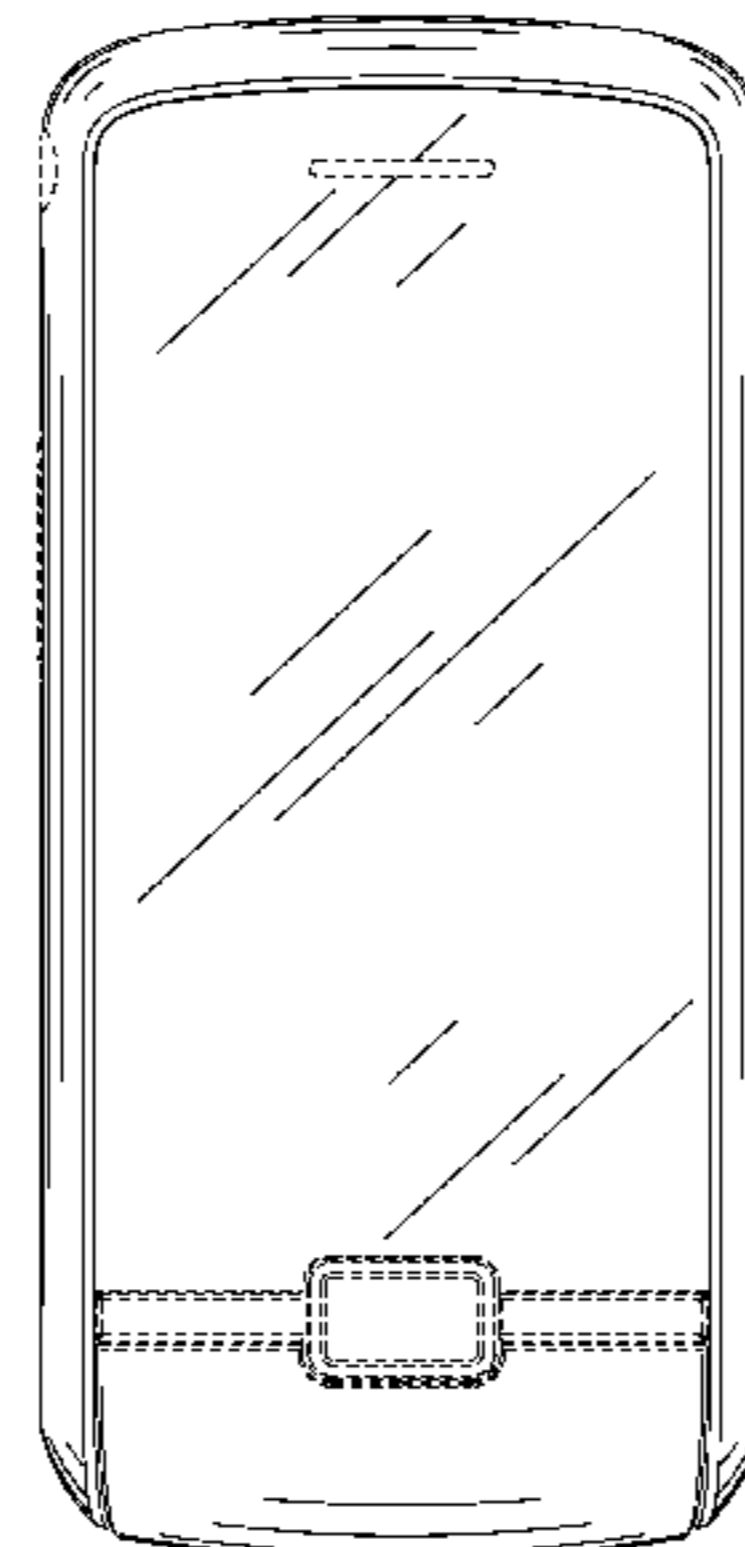
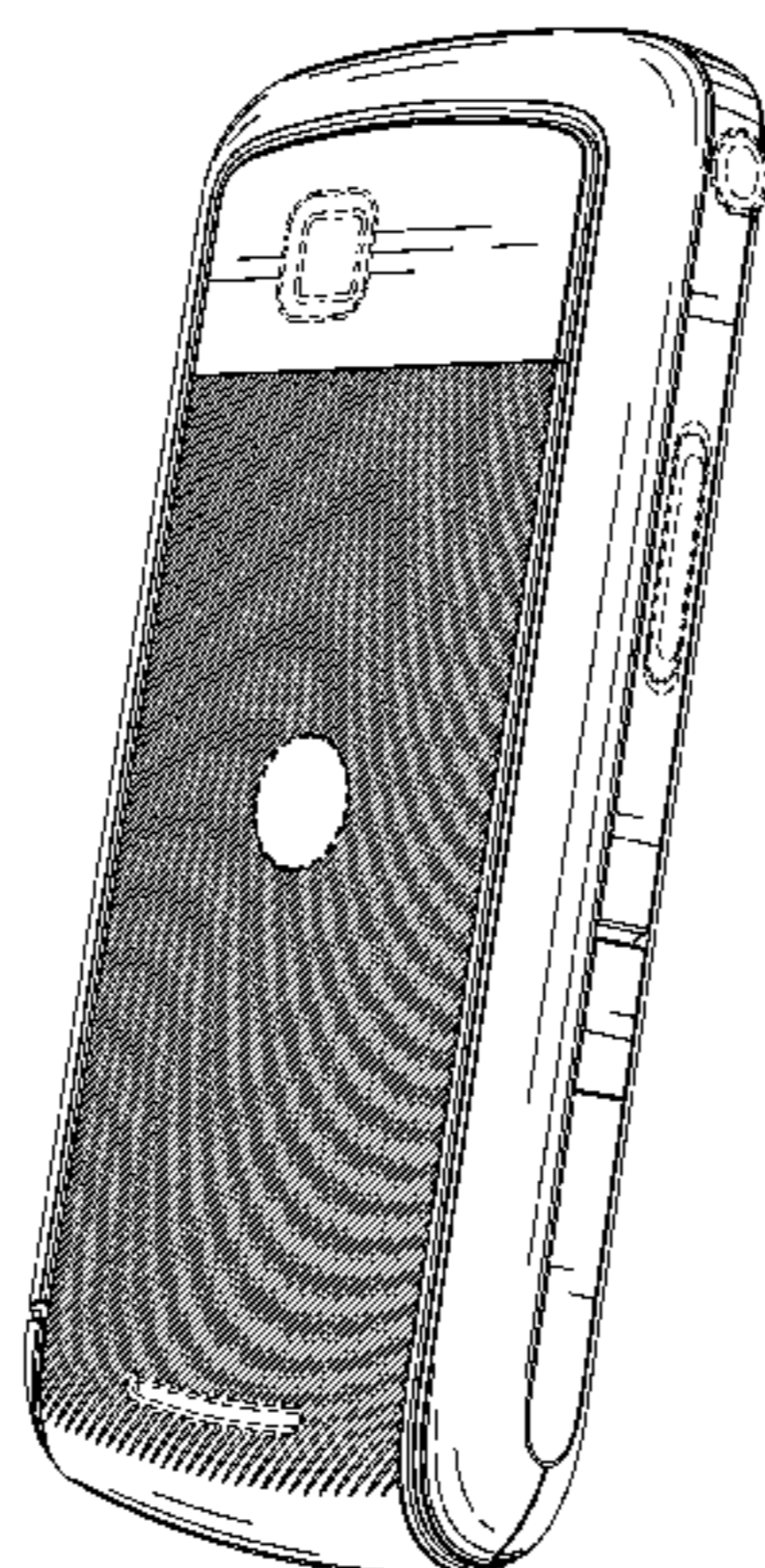
(57) **CLAIM**

The ornamental design for a communication device, as shown and described.

DESCRIPTION

FIG. 1 is a front perspective view of a first embodiment of an ornamental design for a communication device;
FIG. 2 is a rear perspective view of the first embodiment thereof;
FIG. 3 is a front view of the first embodiment thereof;
FIG. 4 is a rear view of the first embodiment thereof;
FIG. 5 is a first side view of the first embodiment thereof;
FIG. 6 is a second side view of the first embodiment thereof;
FIG. 7 is a top view of the first embodiment thereof; and
FIG. 8 is a bottom view of the first embodiment thereof.
FIG. 9 is a front perspective view of a second embodiment of an ornamental design for a communication device;
FIG. 10 is a rear perspective view of the second embodiment thereof;
FIG. 11 is a front view of the second embodiment thereof;
FIG. 12 is a rear view of the second embodiment thereof;
FIG. 13 is a first side view of the second embodiment thereof;
FIG. 14 is a second side view of the second embodiment thereof;
FIG. 15 is a top view of the second embodiment thereof; and
FIG. 16 is a bottom view of the second embodiment thereof.
The broken lines shown in FIGS. 1-8, that are immediately adjacent to the shaded areas, and define unshaded regions, represent the bounds of the first embodiment, while all other broken lines are directed to environment and are for illustrative purposes only; the broken lines form no part of the first embodiment.

1 Claim, 12 Drawing Sheets



U.S. PATENT DOCUMENTS

D615,946	S *	5/2010	Mun	D14/138	G
D617,758	S *	6/2010	Zhao	D14/138	AD
D618,194	S *	6/2010	Kim et al.	D14/138	AA
D618,651	S *	6/2010	Lee et al.	D14/138	AD
D618,655	S *	6/2010	Sandberg	D14/138	G
D621,811	S *	8/2010	Chen	D14/138	G
D624,038	S *	9/2010	Park et al.	D14/138	G
D625,699	S *	10/2010	Huang et al.	D14/138	G
2004/0023696	A1 *	2/2004	Kim	455/566	
2005/0255897	A1 *	11/2005	Lee et al.	455/575.4	

OTHER PUBLICATIONS

Gigabyte GSmart S1205 Cougar, announced Mar. 2010, [online], [retrieved on Mar. 16, 2010]. Retrieved from Internet ,<URL: <http://www.gsmarena.com>>.*

Huawei U8500, announced Jun. 2010, [online], [retrieved on Aug. 4, 2010]. Retrieved from Internet ,<URL: <http://www.gsmarena.com>>.*

LG GW820 eXpo, announced Dec. 2009, [online], [retrieved on Dec. 7, 2009]. Retrieved from Internet ,<URL: <http://www.gsmarena.com>>.*

Samsung B5722, announced Nov. 2009, [online], [retrieved on Nov. 25, 2009]. Retrieved from Internet ,<URL: <http://www.gsmarena.com>>.*

Sony Ericsson T715, announced Jun. 2009, [online], [retrieved on Jul. 13, 2009]. Retrieved from Internet ,<URL: <http://www.gsmarena.com>>.*

Asus P835, announced Mar. 2009, [online], [retrieved on Mar. 6, 2009 & Jun. 12, 2009]. Retrieved from Internet ,<URL: <http://www.gsmarena.com>>.*

Acer beTouch E120, announced Jun. 2010, [online], [retrieved on Jun. 26, 2010]. Retrieved from Internet ,<URL: <http://www.gsmarena.com>>.*

U.S. Appl. No. 29/171,054, filing Nov. 15, 2002, in the name of Blaise Bertrand, et al, entitled "Housing for Communication Devices or Similar Articles".

U.S. Appl. No. 29/194,992, filed Dec. 3, 2003, in the name of Wal-liser, et al, entitled "Communication Device".

U.S. Appl. No. 29/361,638, filed May 13, 2010, in the name of Jia-Jun Mo, et al, entitled "Communication Device".

U.S. Appl. No. 29/361,637, filed May 13, 2010, in the name of Wei-Wei Chen, et al, entitled "Communication Device".

U.S. Appl. No. 29/361,640, filed May 13, 2010, in the name of Cheol Woo Park, et al, entitled "Communication Device".

U.S. Appl. No. 29/361,641, filed May 13, 2010, in the name of Cheol Woo Park, et al, entitled "Communication Device".

* cited by examiner

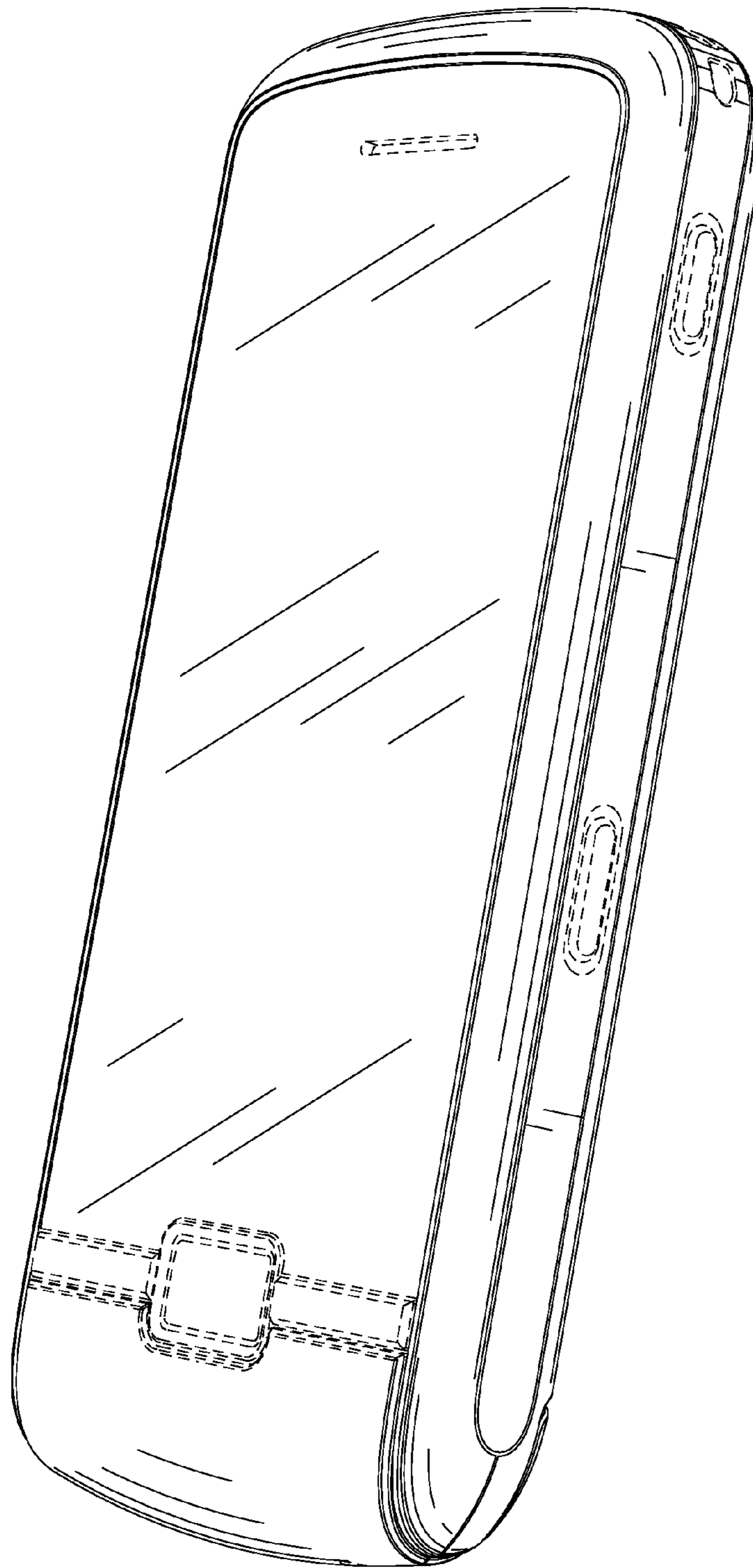


FIG. 1

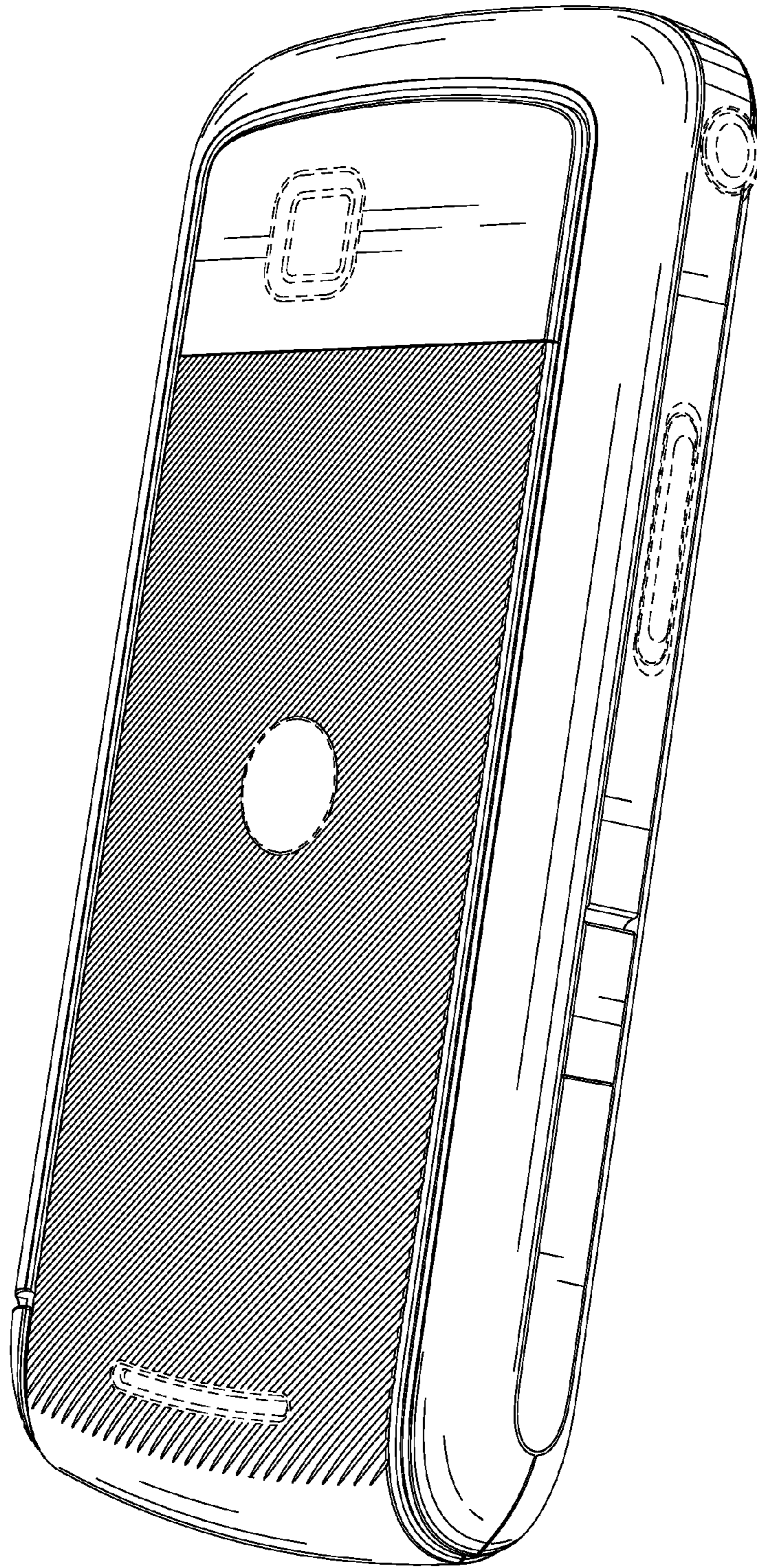


FIG. 2

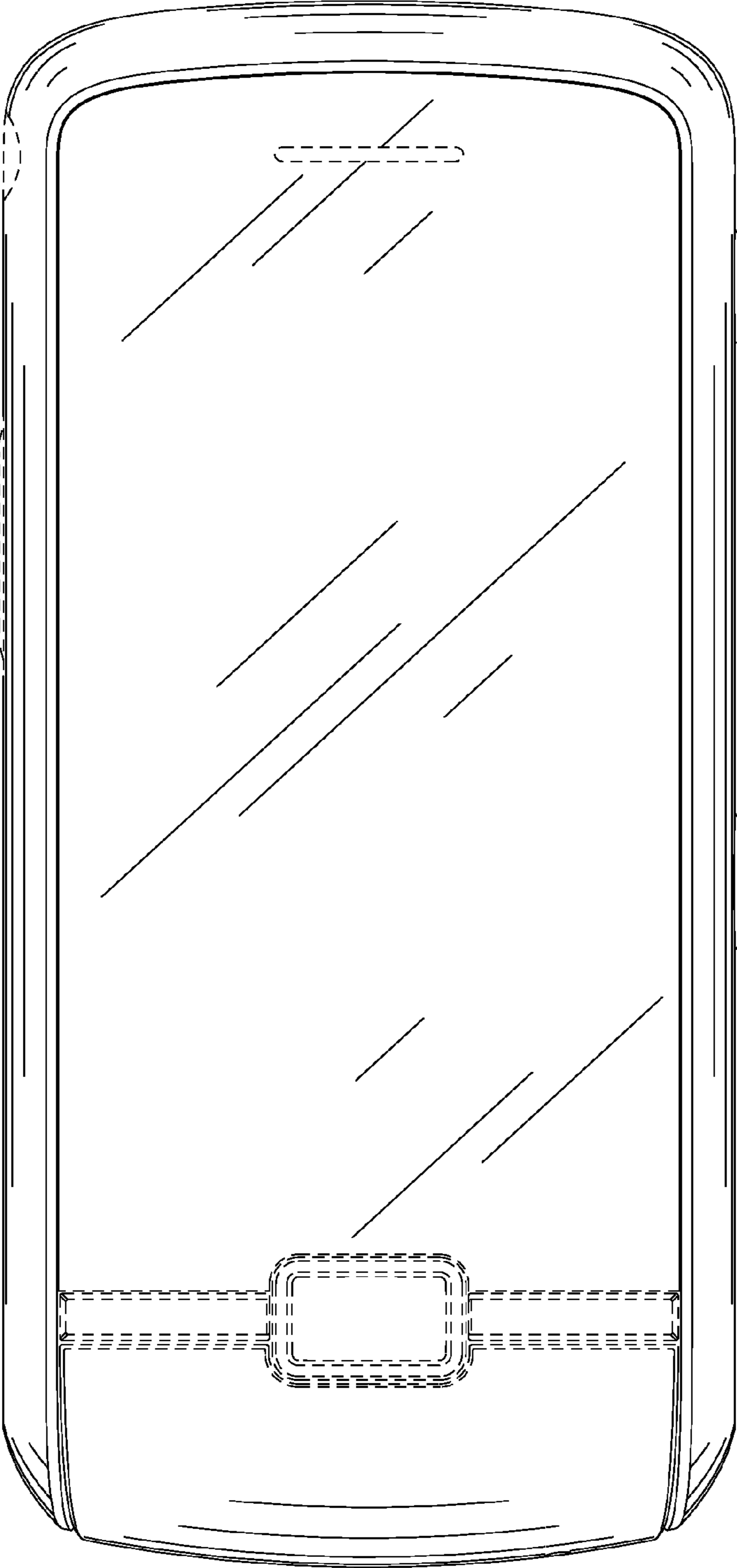


FIG. 3

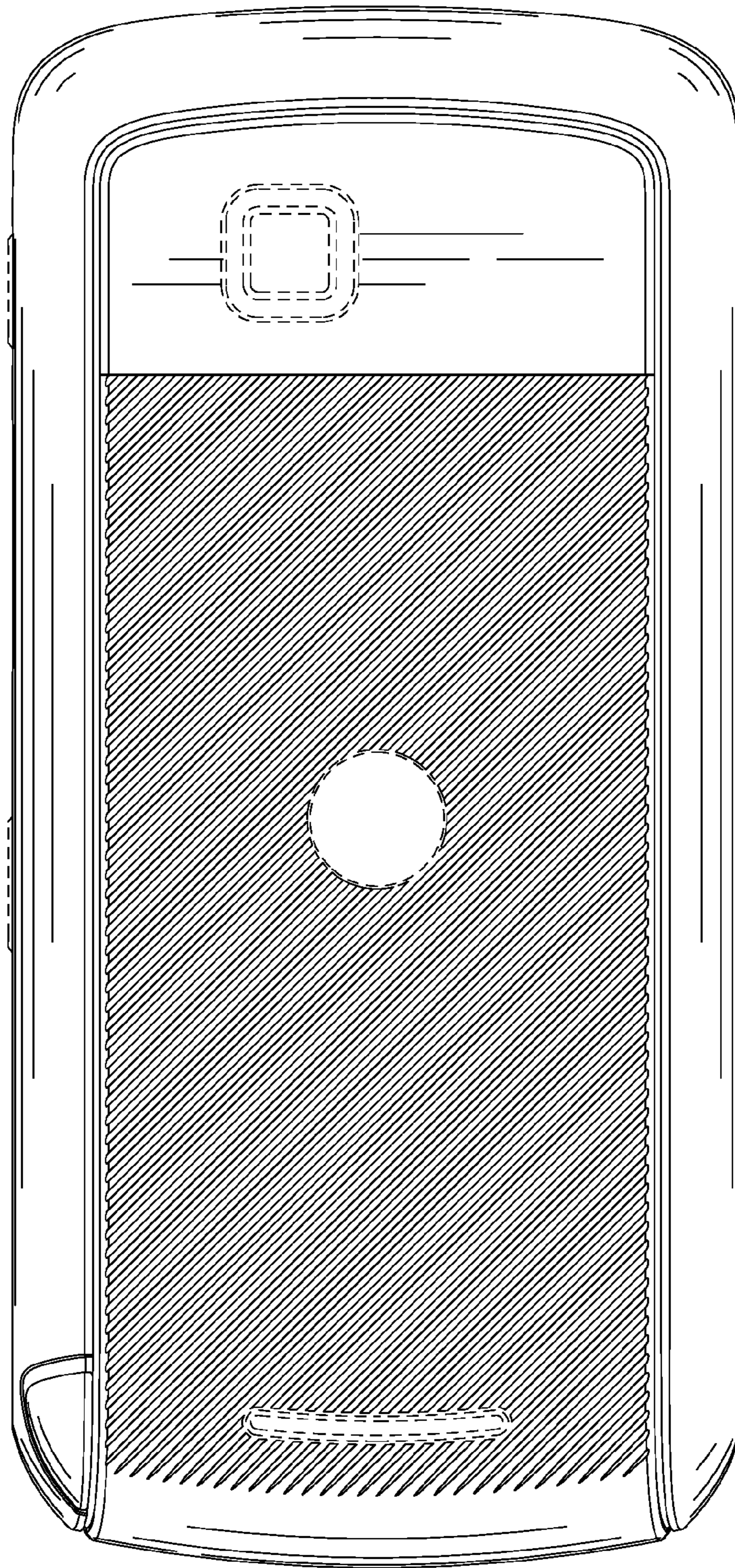


FIG. 4

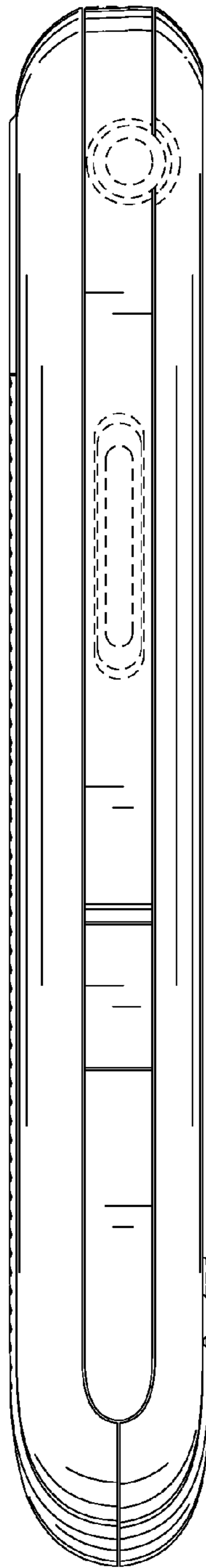


FIG. 5

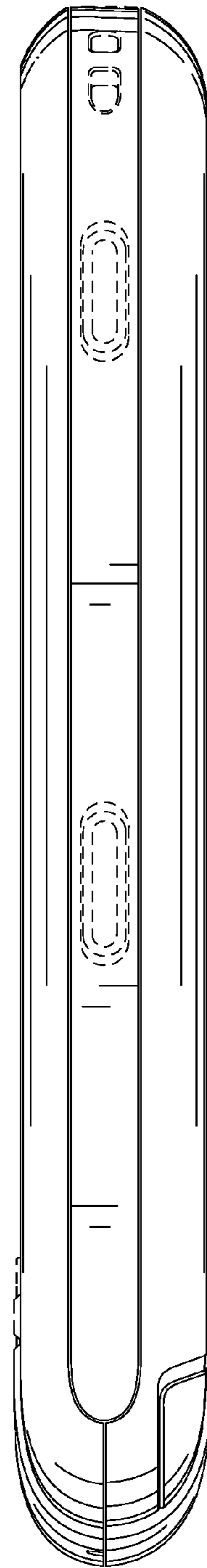


FIG. 6

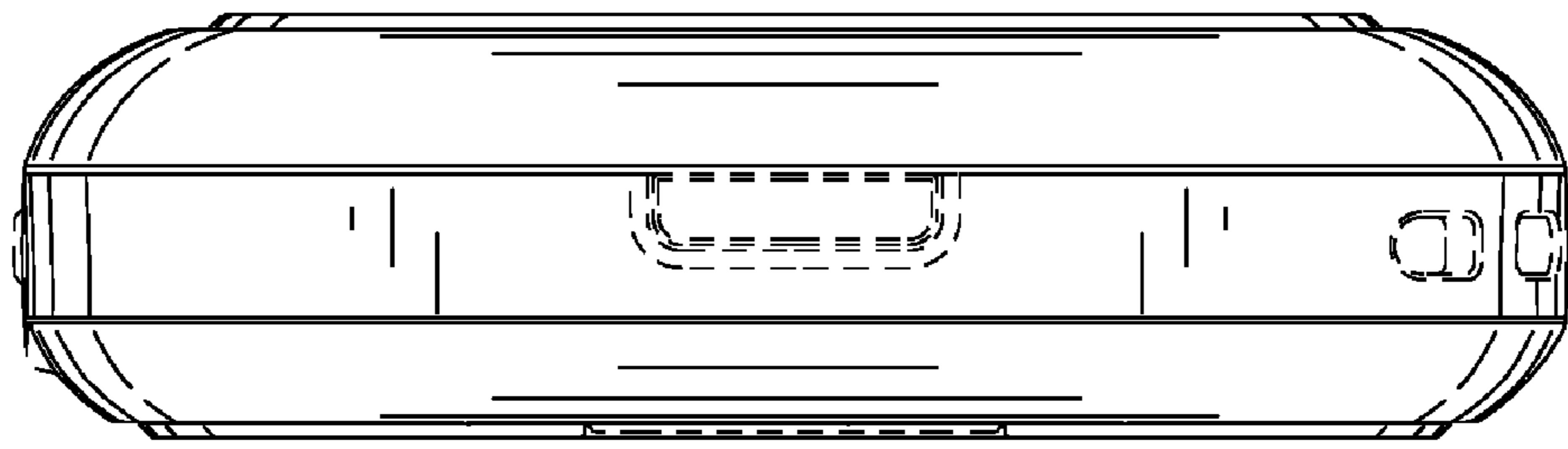


FIG. 7

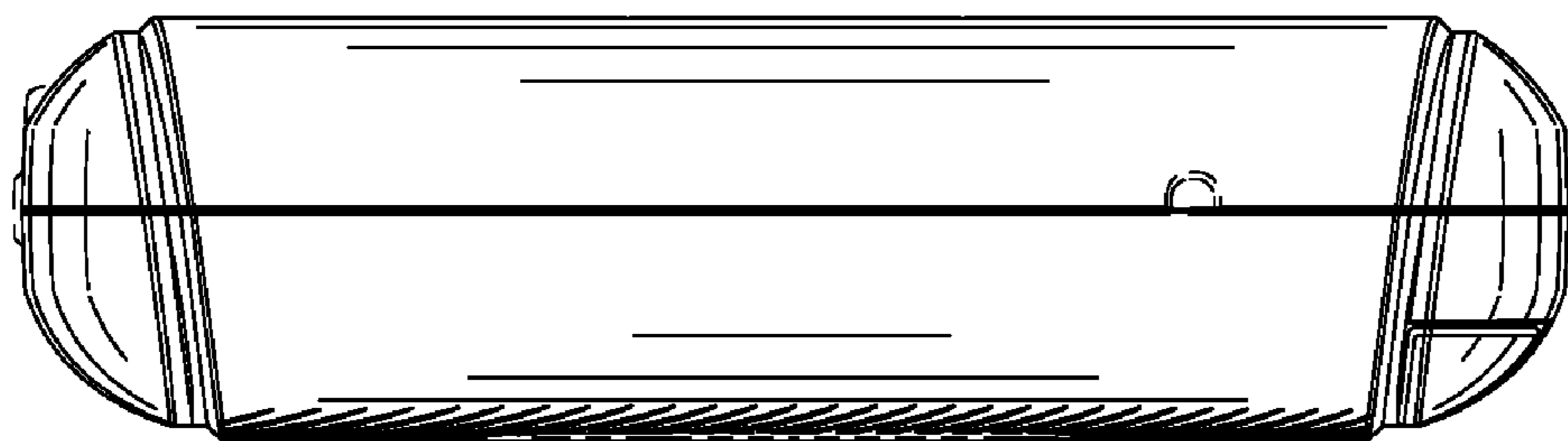


FIG. 8

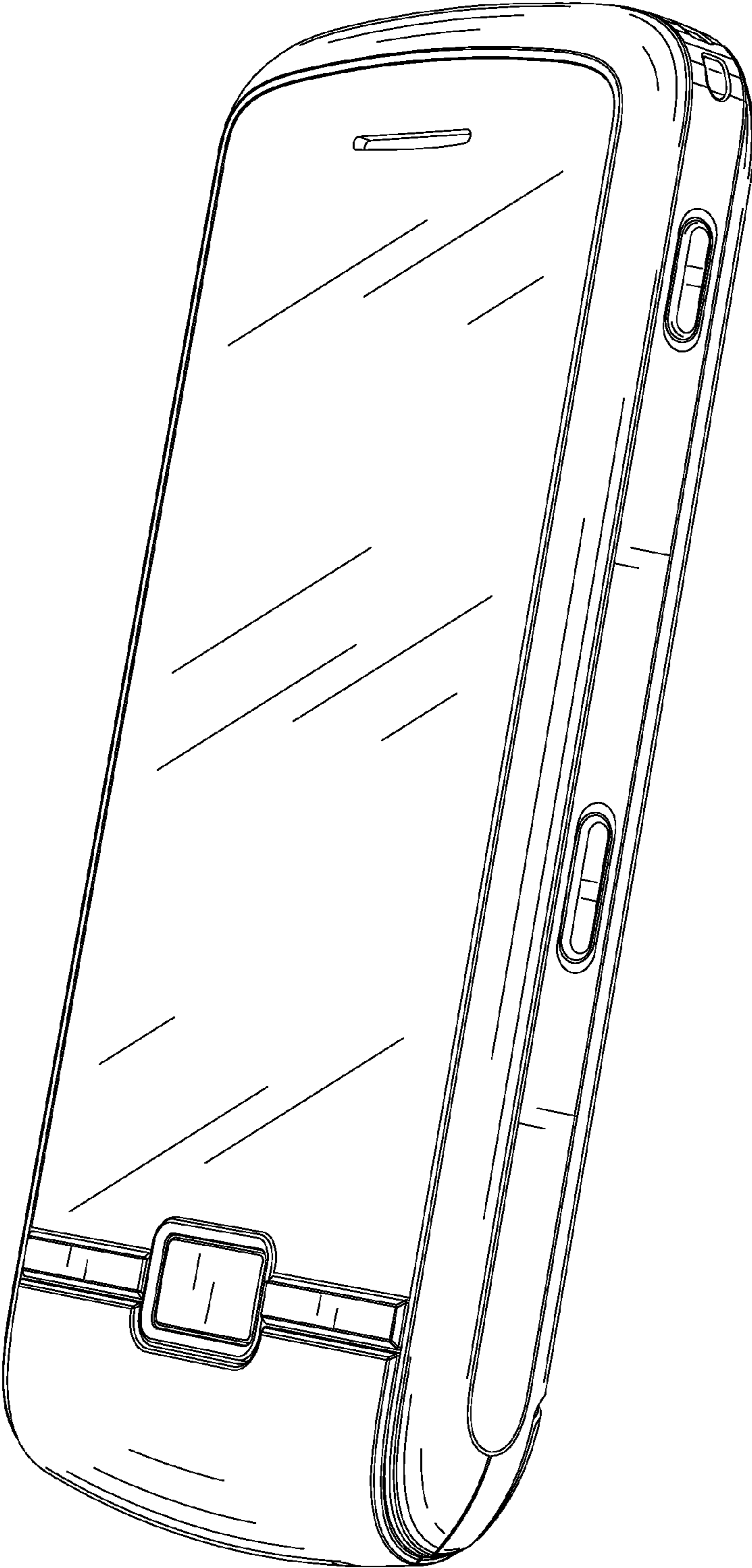


FIG. 9

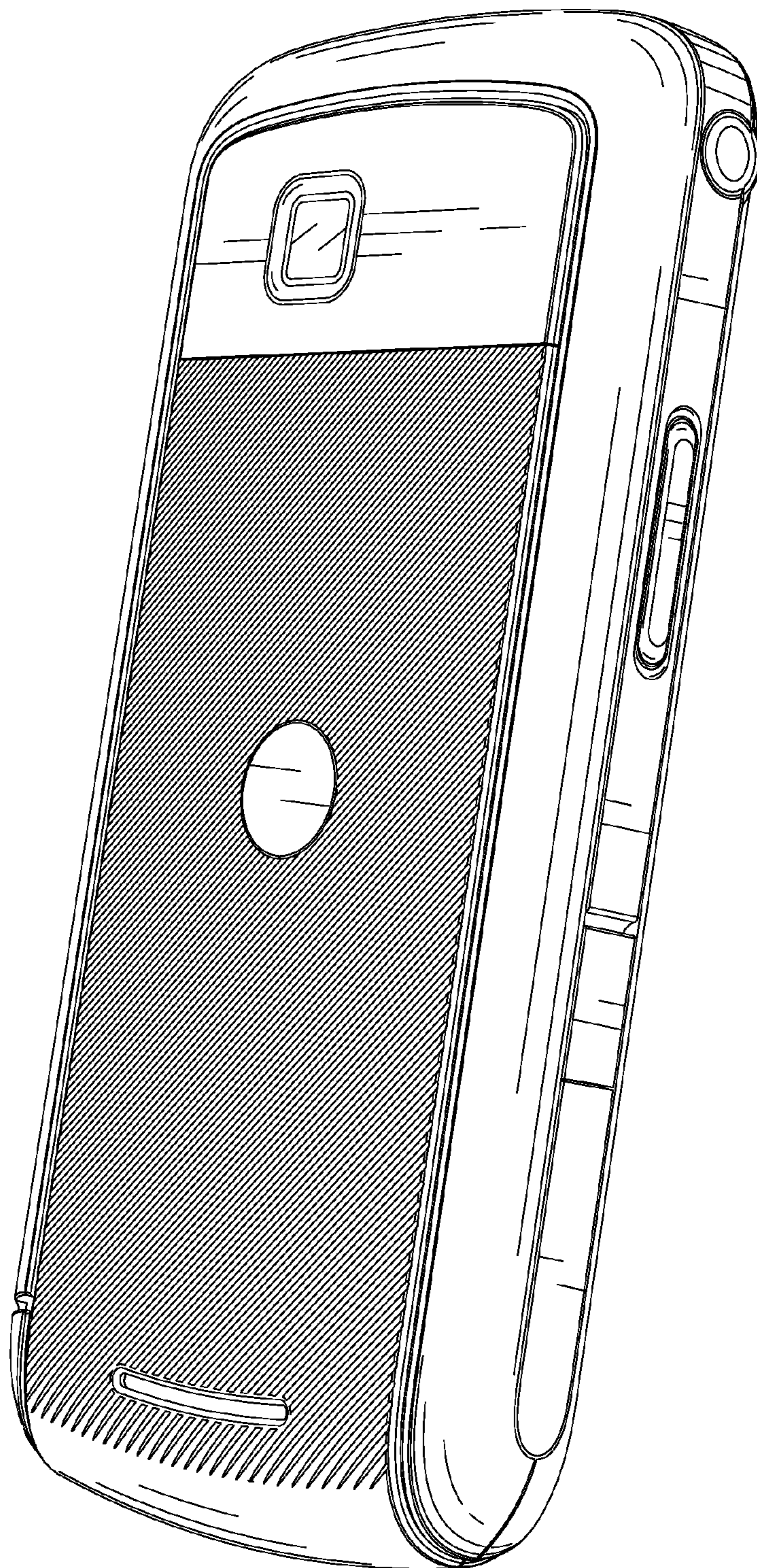


FIG. 10

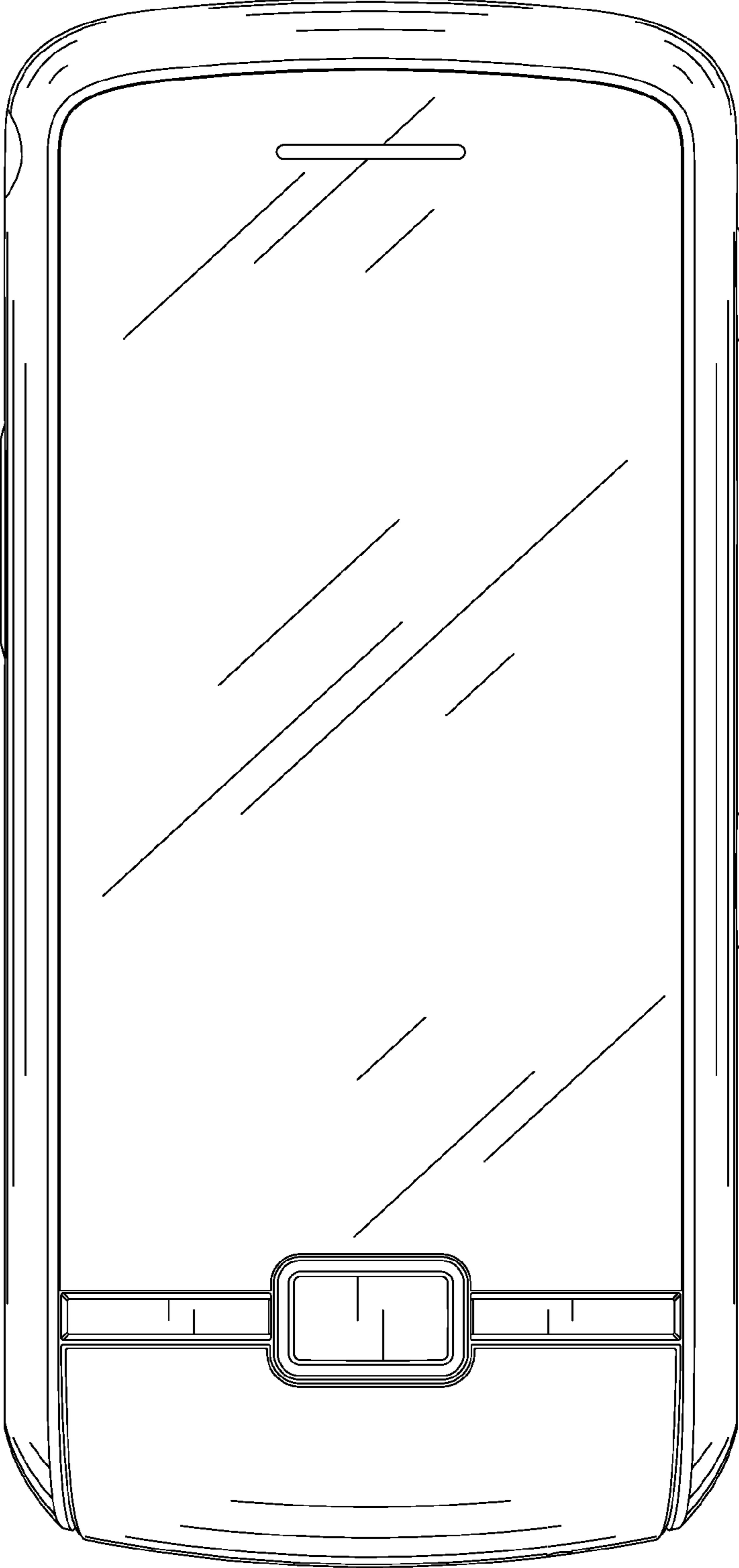


FIG. 11

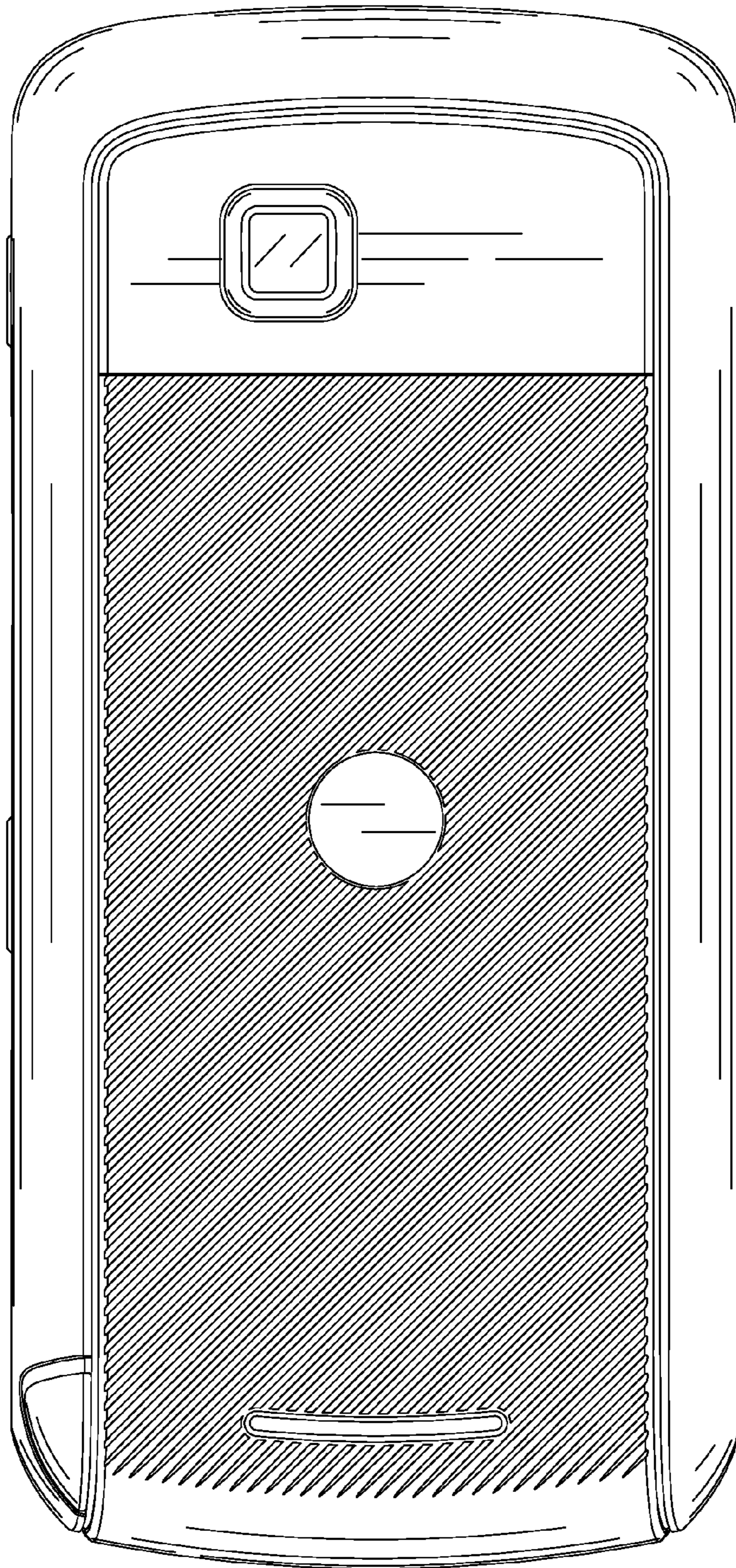


FIG. 12

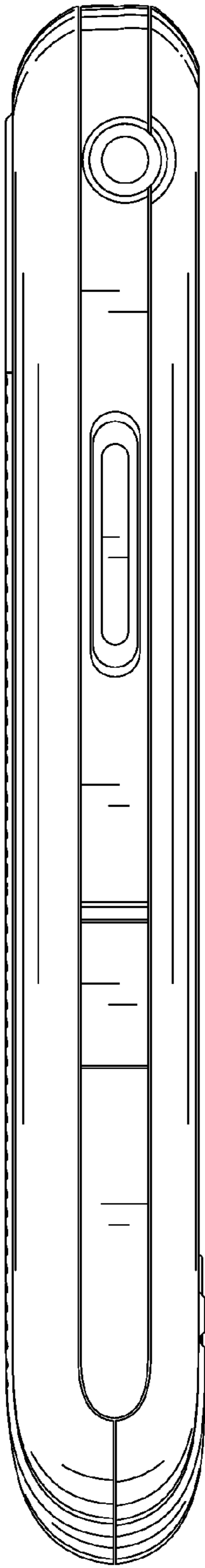


FIG. 13

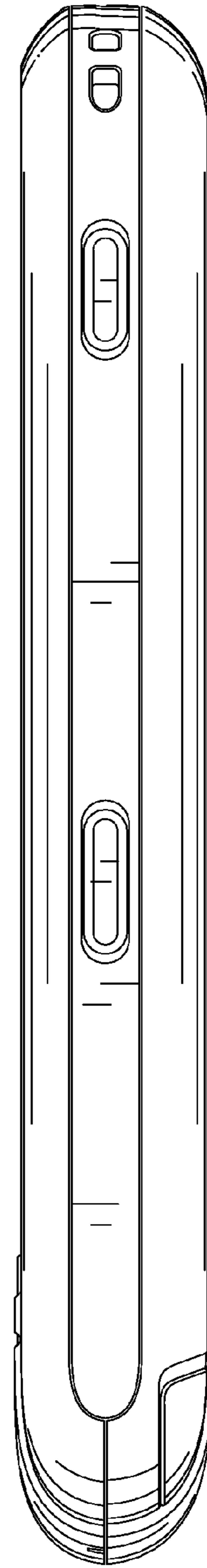


FIG. 14

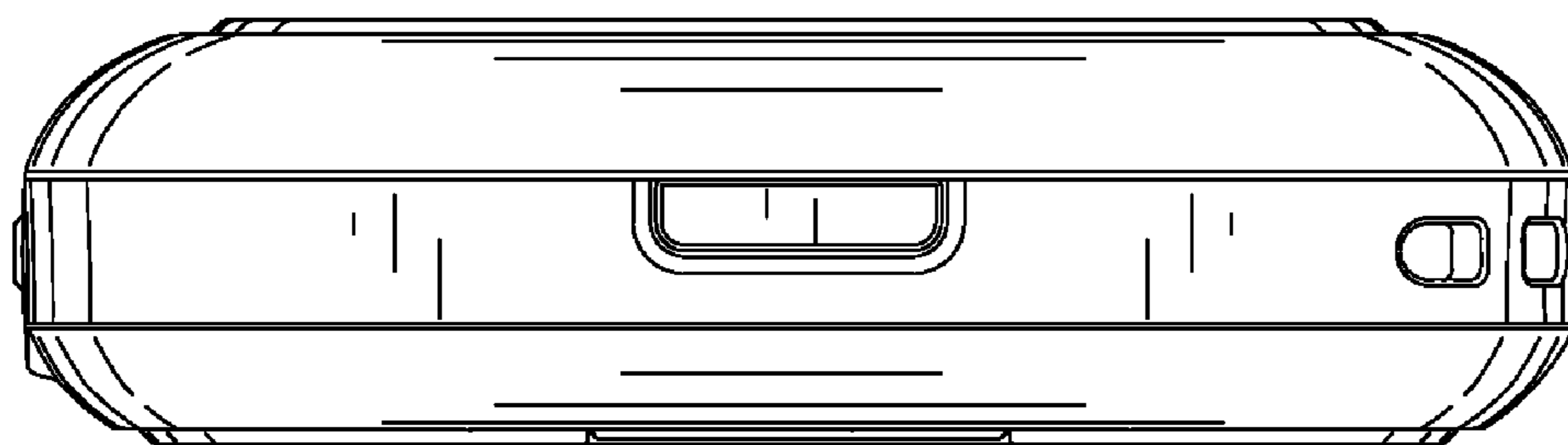


FIG. 15

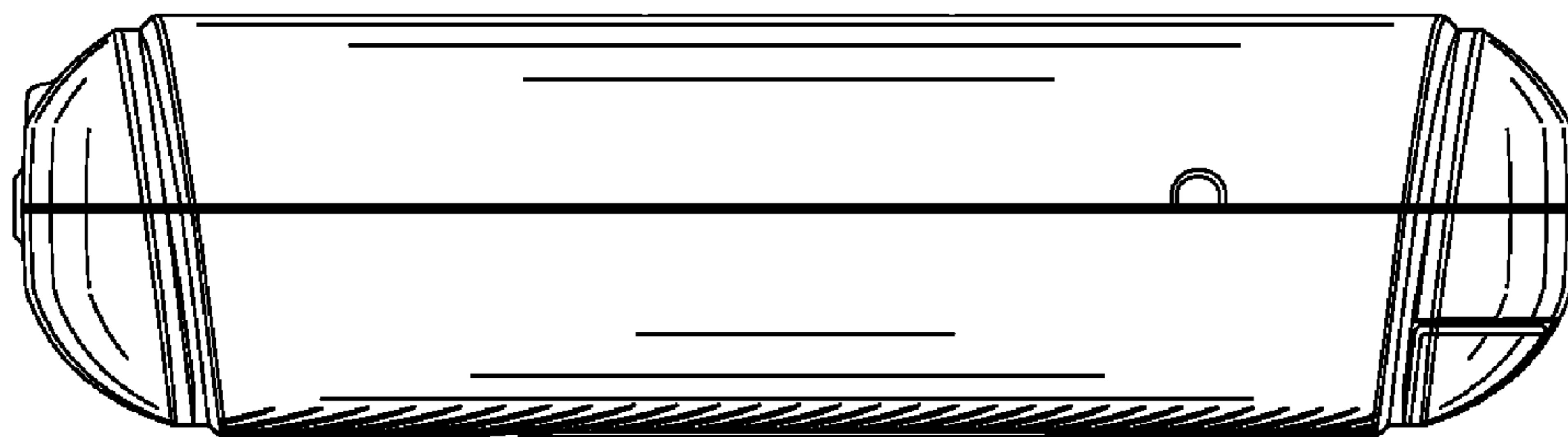


FIG. 16