



US00D636361S

(12) **United States Design Patent**  
**Frandsen et al.**

(10) **Patent No.:** **US D636,361 S**  
(45) **Date of Patent:** **\*\* Apr. 19, 2011**

(54) **CONTROL HEAD WITH ELECTROLUMINESCENT PANEL FOR A LAND MOBILE RADIO**

**DESCRIPTION**

(75) Inventors: **Troy Frandsen**, Denton, TX (US); **Dulie Reavill**, Crowley, TX (US)

(73) Assignee: **E.F. Johnson Company**, Irving, TX (US)

(\*\*) Term: **14 Years**

(21) Appl. No.: **29/346,879**

(22) Filed: **Nov. 6, 2009**

(51) **LOC (9) Cl.** ..... **14-03**

(52) **U.S. Cl.** ..... **D14/137**

(58) **Field of Classification Search** ..... D14/135,  
D14/137, 139, 157, 188, 197-198, 257, 258,  
D14/138 R, 138 AA, 138 C, 138 AD, 138 AC,  
D14/138 G, 147, 218, 341-347; 361/814;  
455/90.1-90.3

See application file for complete search history.

(56) **References Cited**

**U.S. PATENT DOCUMENTS**

D407,394 S *	3/1999	Oh	.....	D14/135
D436,089 S *	1/2001	Nishiwaki et al.	.....	D14/135
D452,859 S *	1/2002	Le Thellec	.....	D14/258
D475,691 S *	6/2003	Nishii et al.	.....	D14/157

(Continued)

**OTHER PUBLICATIONS**

IC-F320 VHF Mobile Transceiver, [online], [retrieved on Mar. 2005]. Retrieved from Internet, <URL: <http://www.ntfc.ca>>.\*

Motorola PM1500, [online], [retrieved on Apr. 8, 2009]. Retrieved from Internet, <URL: <http://www.talktwoway.com>>.\*

(Continued)

*Primary Examiner* — Jeffrey D Asch

*Assistant Examiner* — Bridget L Eland

(74) *Attorney, Agent, or Firm* — Gardere Wynne Sewell LLP

(57) **CLAIM**

The ornamental design for control head with electroluminescent panel for a land mobile radio, as shown and described.

FIG. 1 is a top view of a control head with electroluminescent panel for a land mobile radio as shown in a first environment. FIG. 2 is a frontal view of a control head with electroluminescent panel for a land mobile radio as shown in the first environment.

FIG. 3 is a bottom view of a control head with electroluminescent panel for a land mobile radio as shown in the first environment.

FIG. 4 is a right side view of a control head with electroluminescent panel for a land mobile radio as shown in the first environment.

FIG. 5 is a left side view of a control head with electroluminescent panel for a land mobile radio as shown in the first environment.

FIG. 6 is a top right side perspective view of a control head with electroluminescent panel for a land mobile radio as shown in the first environment.

FIG. 7 is a top left side perspective view of a control head with electroluminescent panel for a land mobile radio as shown in the first environment.

FIG. 8 is a top view of a control head with electroluminescent panel for a land mobile radio as shown in a second environment.

FIG. 9 is a frontal view of a control head with electroluminescent panel for a land mobile radio as shown in the second environment.

FIG. 10 is a bottom view of a control head with electroluminescent panel for a land mobile radio as shown in the second environment.

FIG. 11 is a right side view of a control head with electroluminescent panel for a land mobile radio as shown in the second environment.

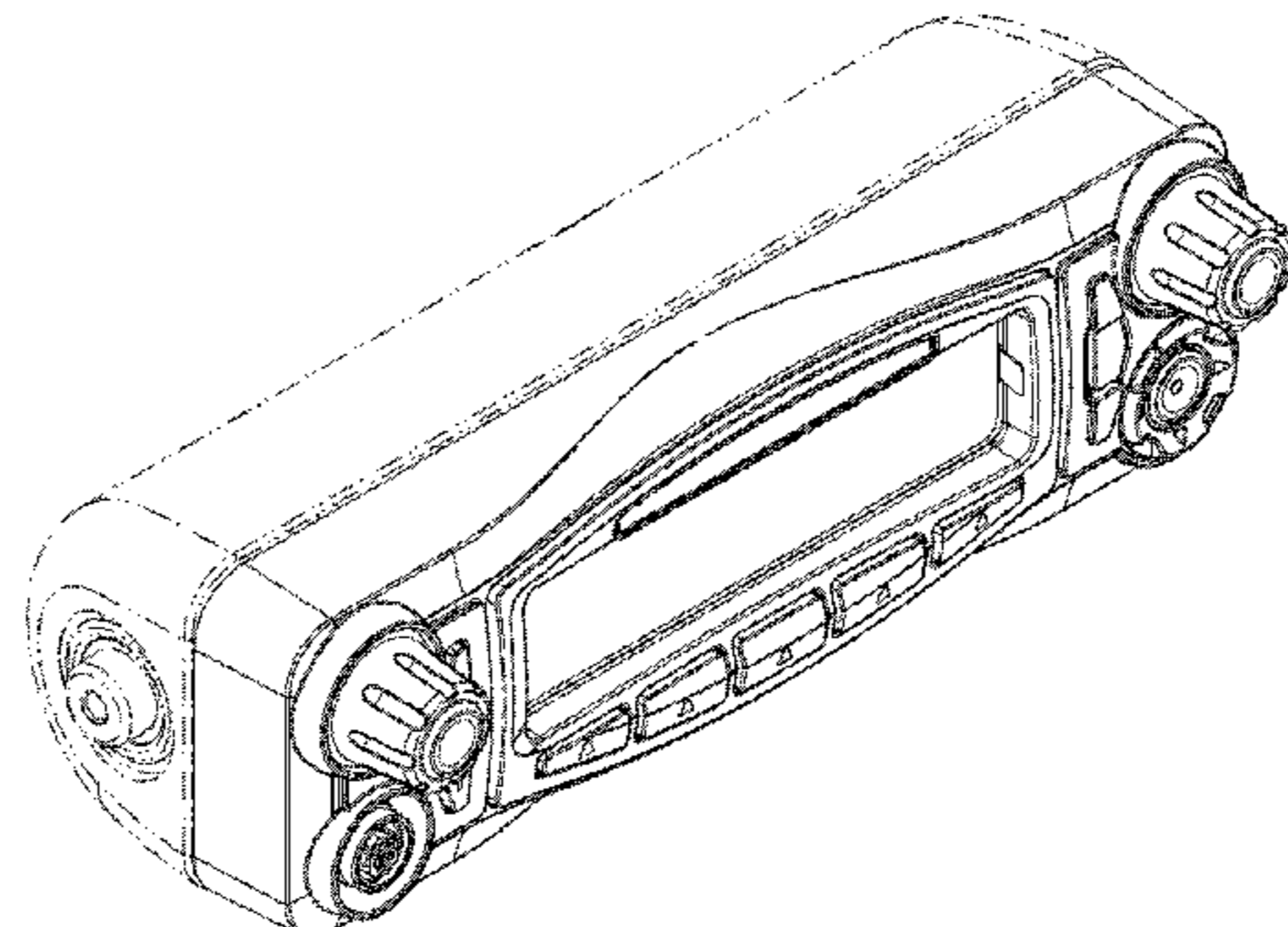
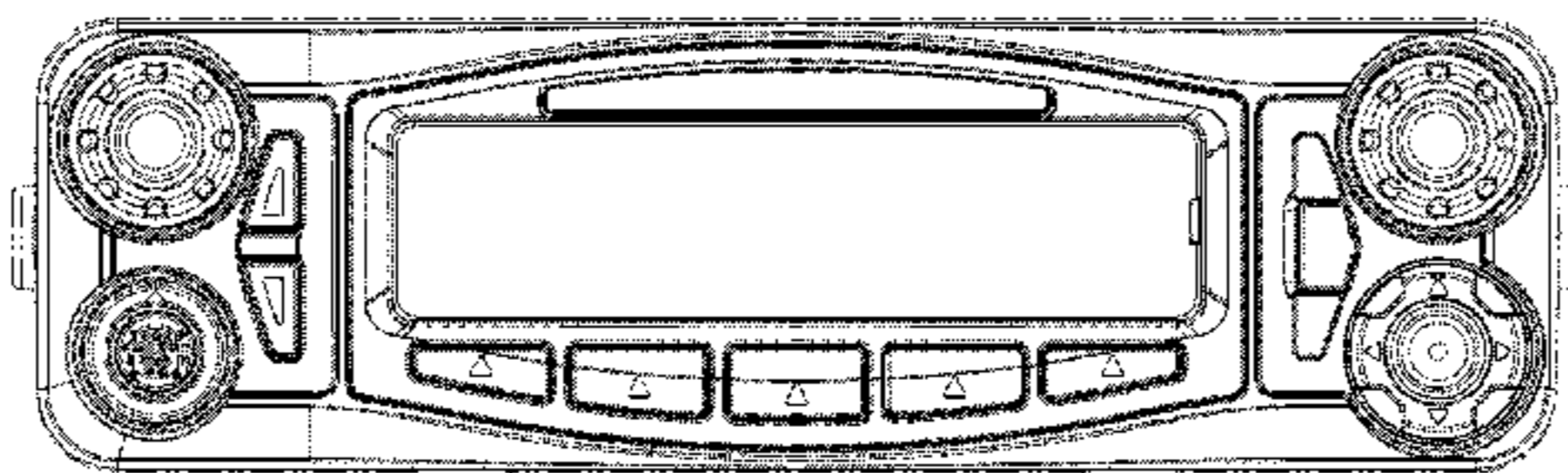
FIG. 12 is a left side view of a control head with electroluminescent panel for a land mobile radio as shown in the second environment.

FIG. 13 is a top right side perspective view of a control head with electroluminescent panel for a land mobile radio as shown in the second environment; and,

FIG. 14 is a top left side perspective view of a control head with electroluminescent panel for a land mobile radio as shown in the second environment.

For FIGS. 1-14, broken lines are for illustrative purposes only, showing the environment, and form no part of the claimed design.

**1 Claim, 12 Drawing Sheets**



# US D636,361 S

Page 2

---

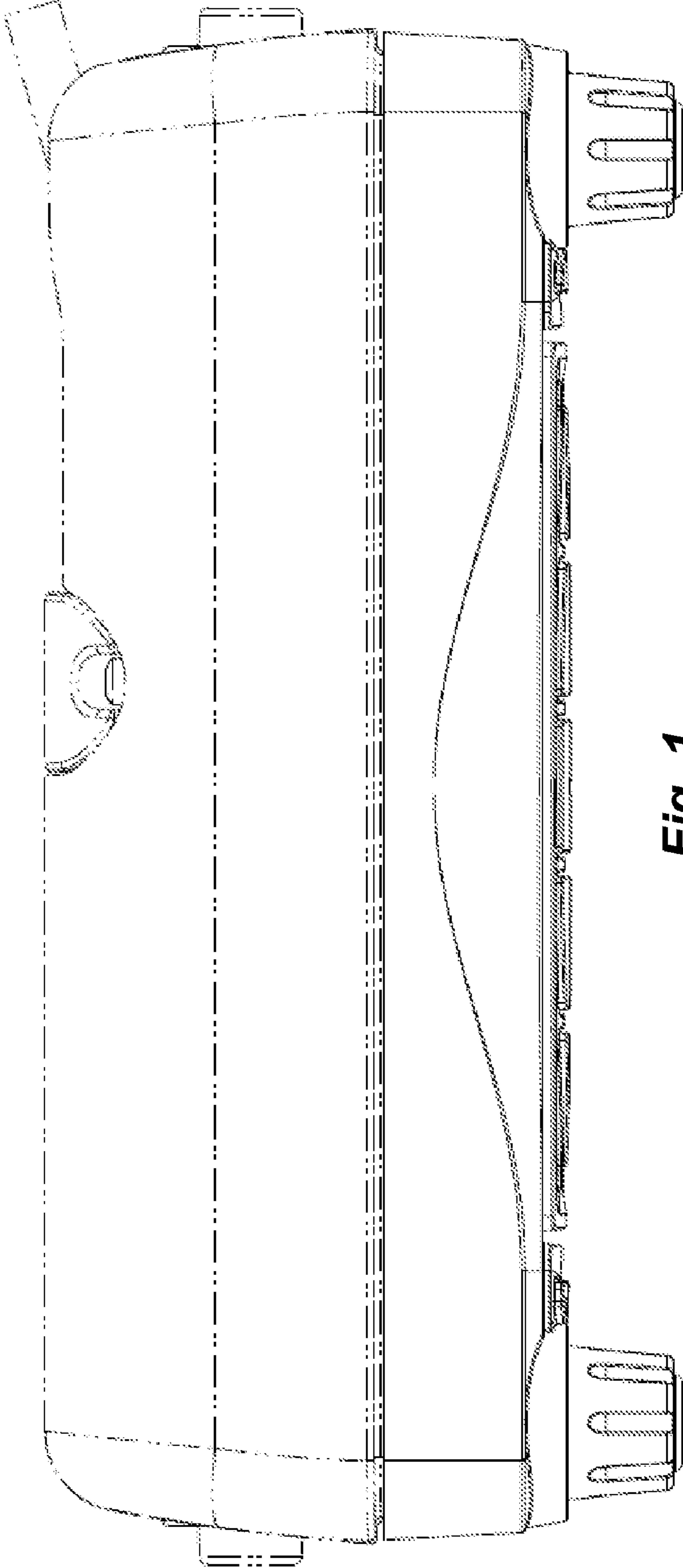
## U.S. PATENT DOCUMENTS

D483,344 S \* 12/2003 Escorcia et al. .... D14/157  
D495,314 S \* 8/2004 Mizokawa et al. .... D14/157  
D495,315 S \* 8/2004 Mizokawa et al. .... D14/157  
D533,536 S \* 12/2006 Mizokawa ..... D14/157  
D533,860 S \* 12/2006 Mizokawa ..... D14/157  
D536,316 S \* 2/2007 Mizokawa ..... D14/188  
D554,089 S \* 10/2007 Takahashi ..... D14/203.3  
7,668,576 B2 \* 2/2010 Ellenbogen et al. .... 455/575.1  
2010/0141565 A1 \* 6/2010 Frandsen et al. .... 345/76

## OTHER PUBLICATIONS

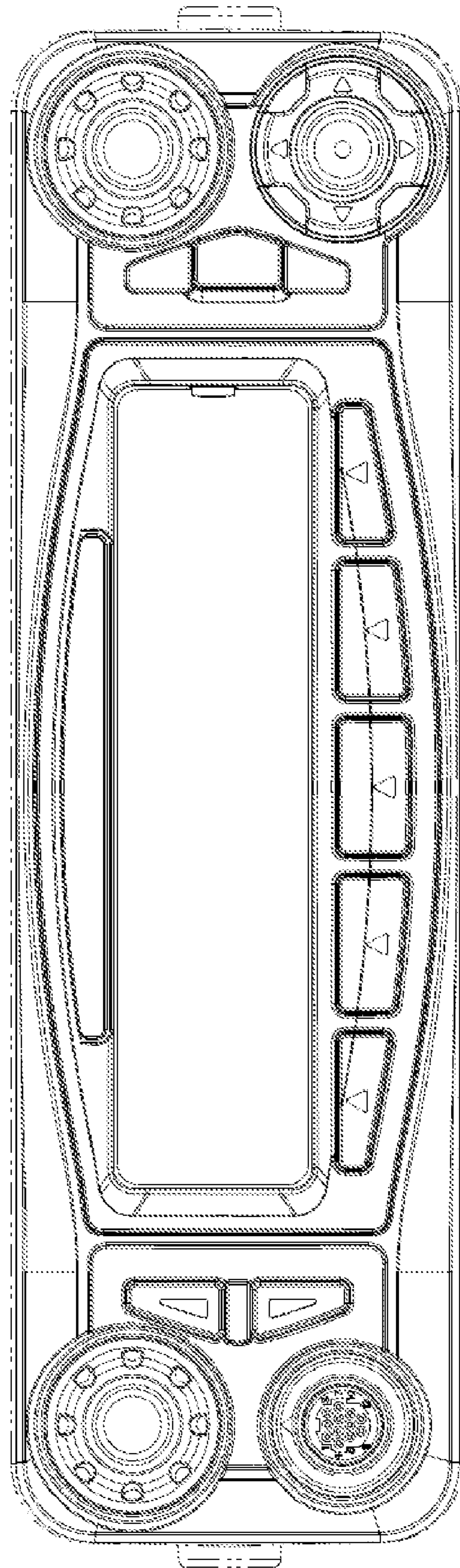
Yaesu FT-8800R VHF/UHF Mobile Dual-Band Radio, [online],  
[retrieved on Jan. 6, 2010]. Retrieved from Internet ,<URL: <http://www.twowayradioonline.com>>.\*  
Motorola Astro XTL 5000 Digital Mobile Radio, O5 Control Head,  
User's Guide, May 2005 (120 pages).  
Motorola Astro XTL 5000 Digital Mobile Radio, O5 Control Head,  
Installation Manual, Jun. 10, 2005 (44 pages).

\* cited by examiner

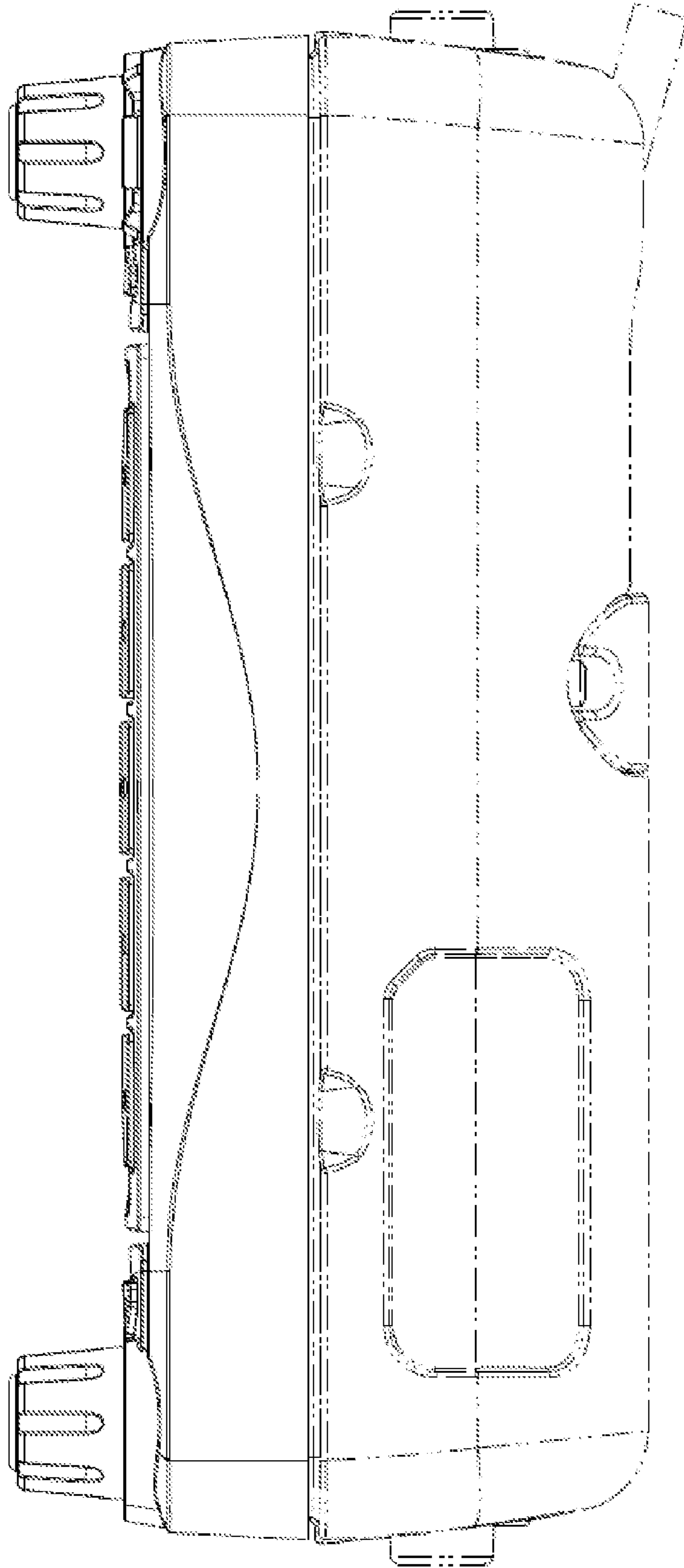


**Fig. 1**

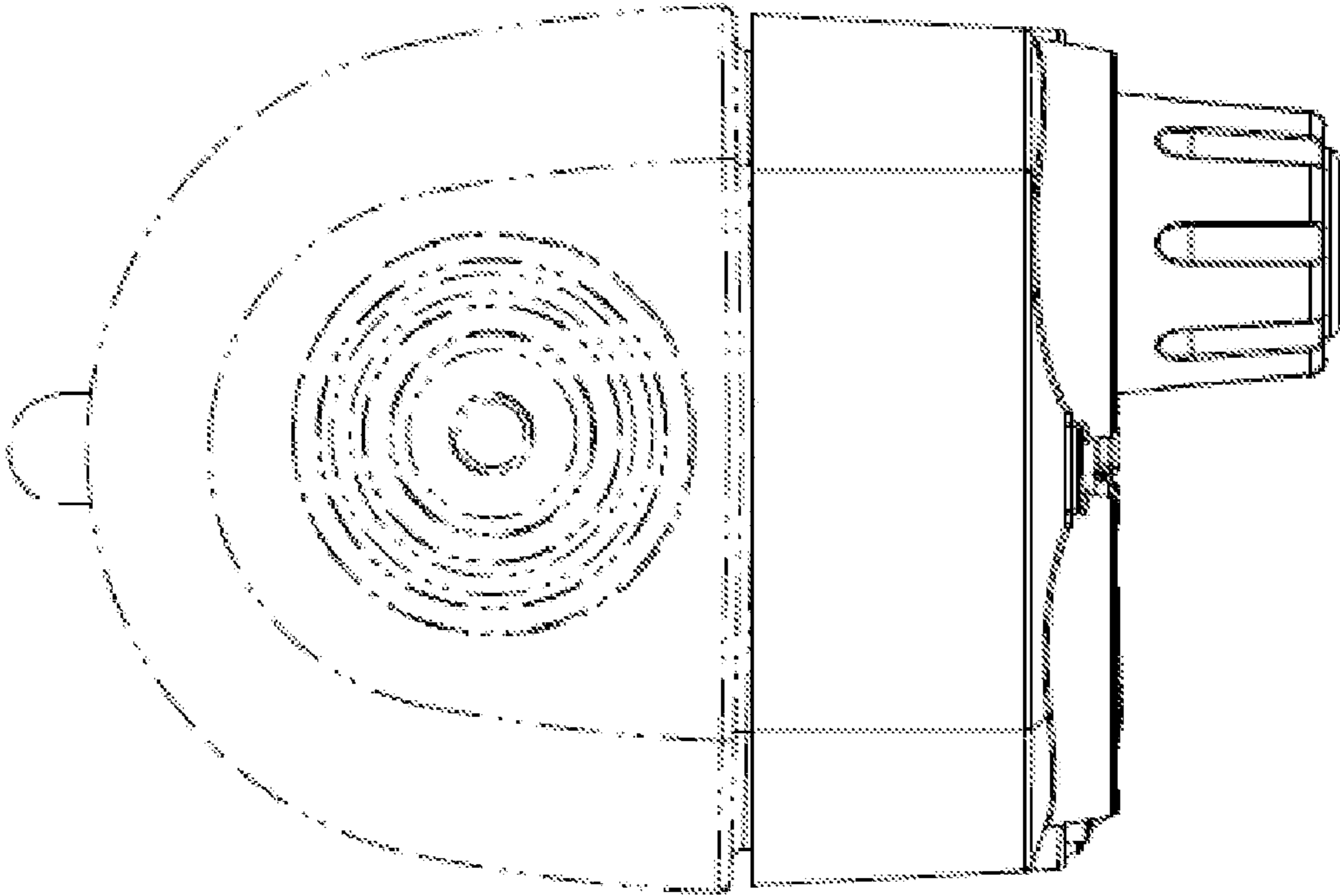




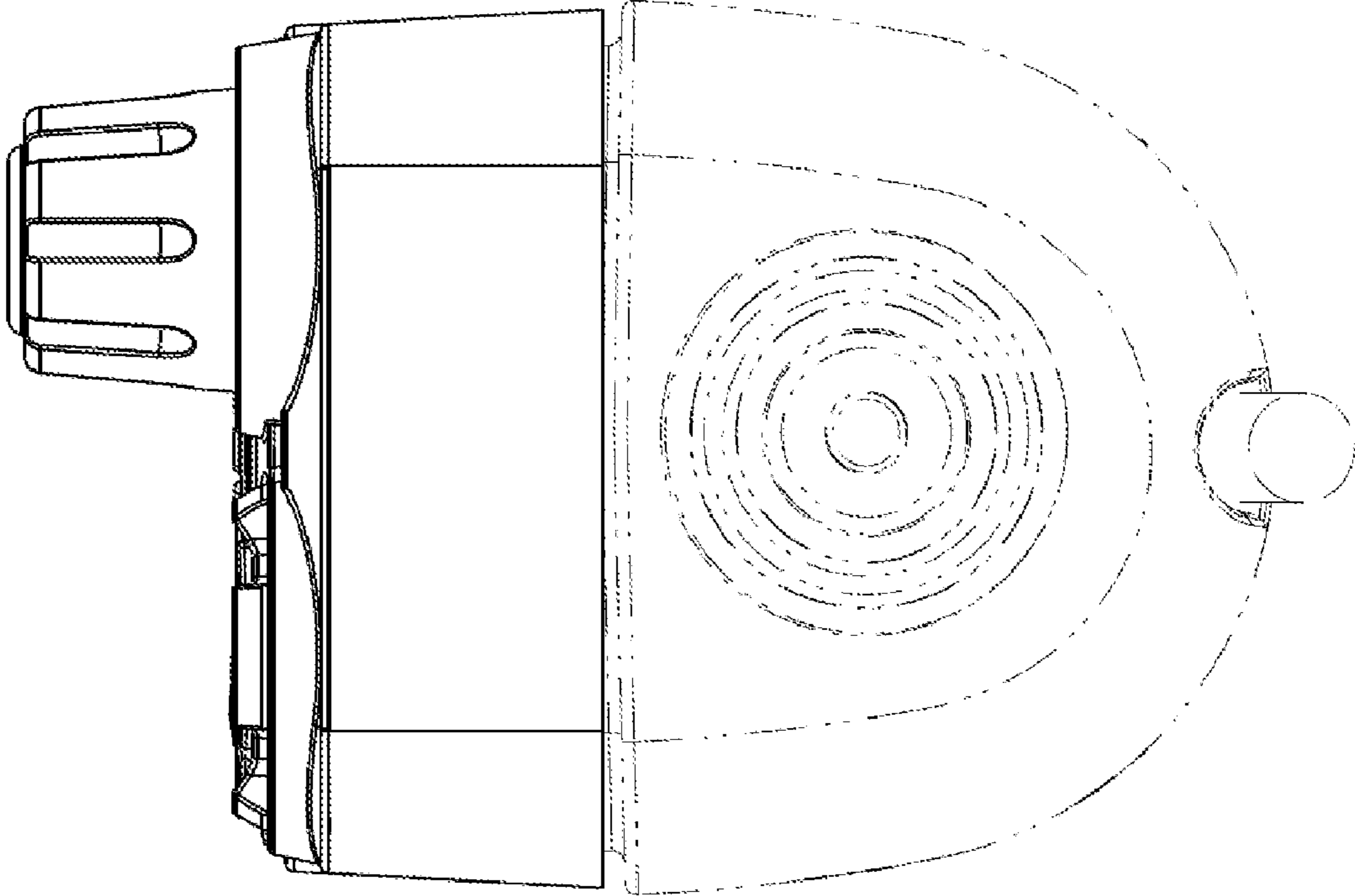
***Fig. 2***



**Fig. 3**

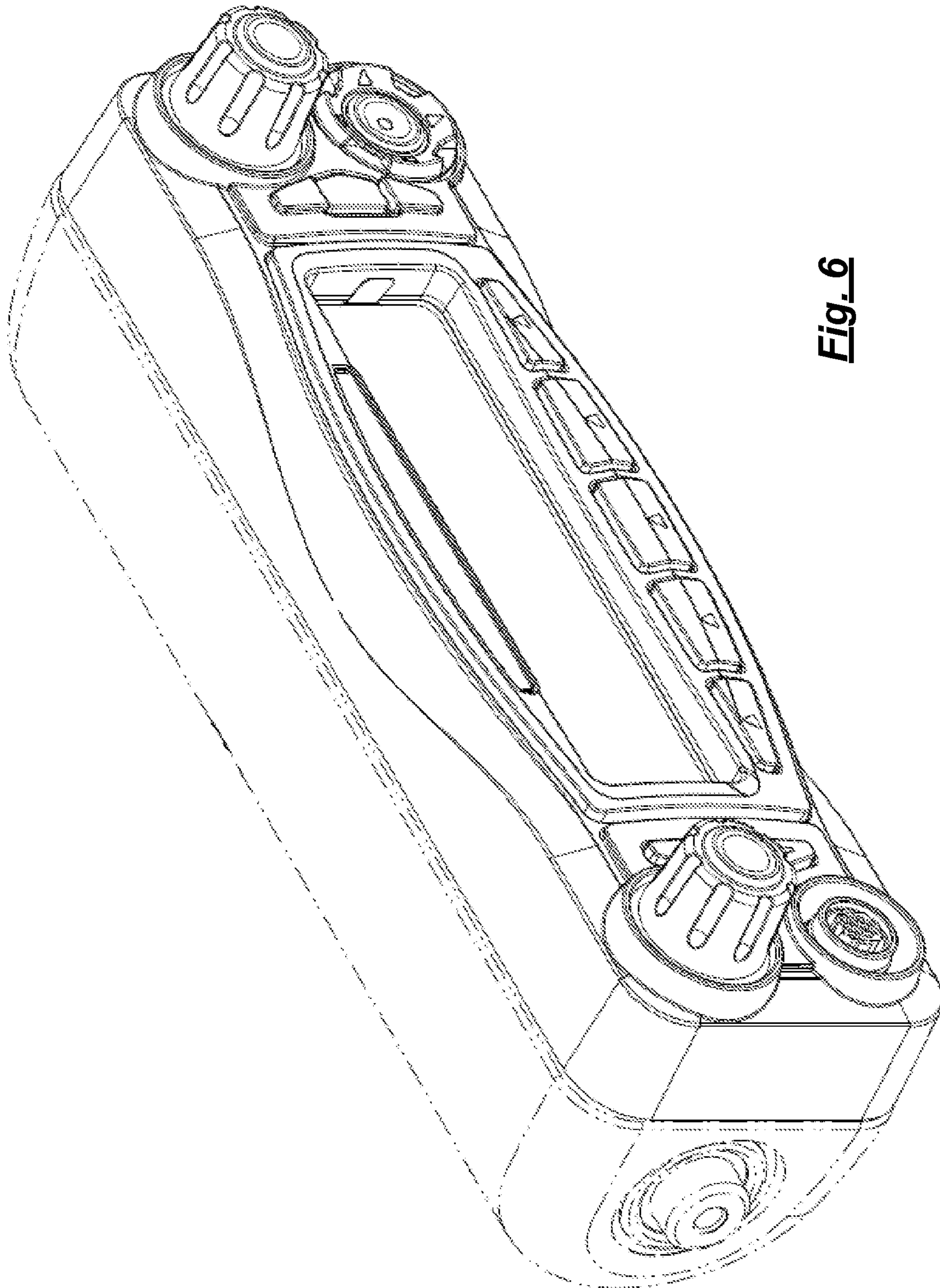


**Fig. 4**

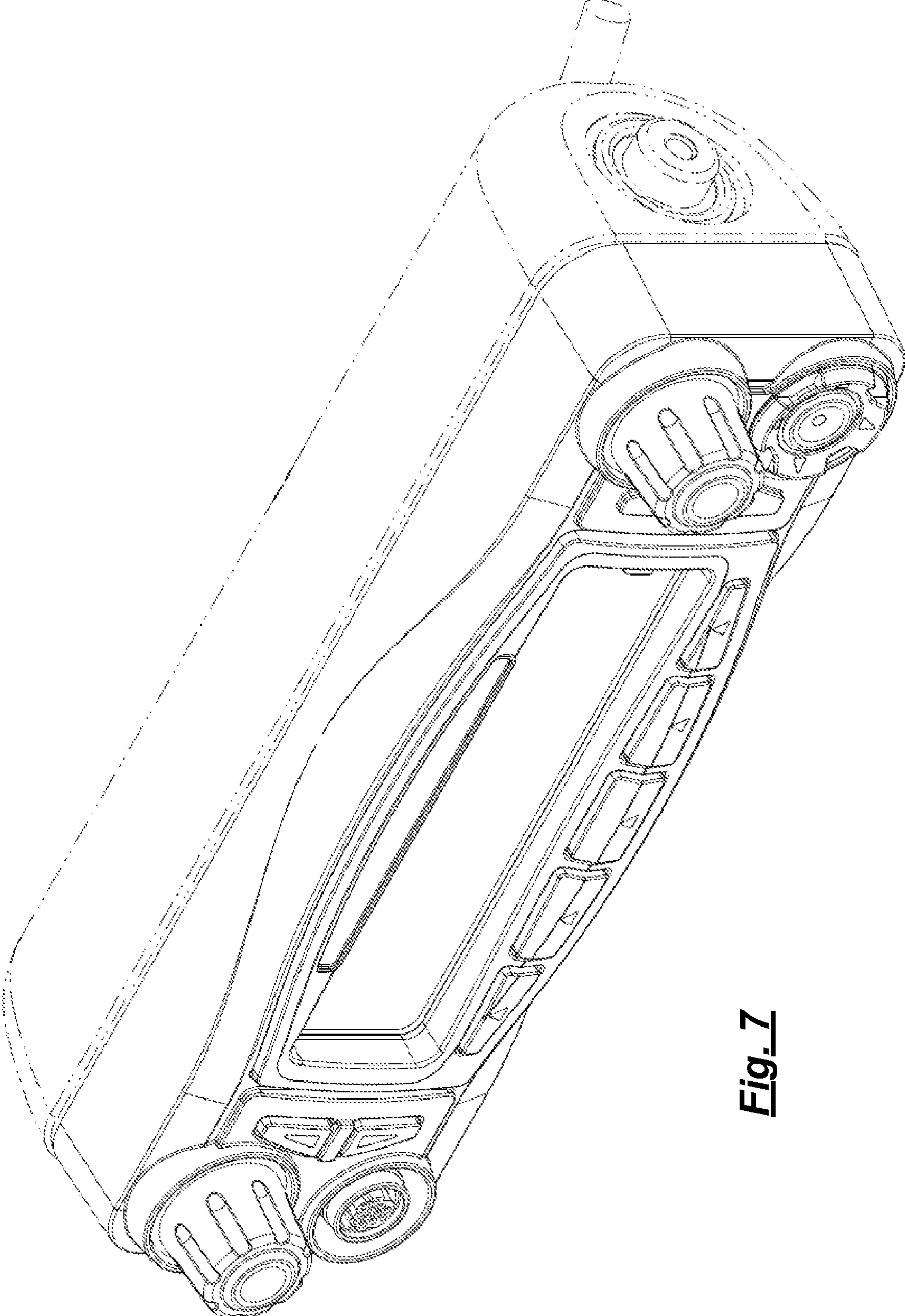


**Fig. 5**



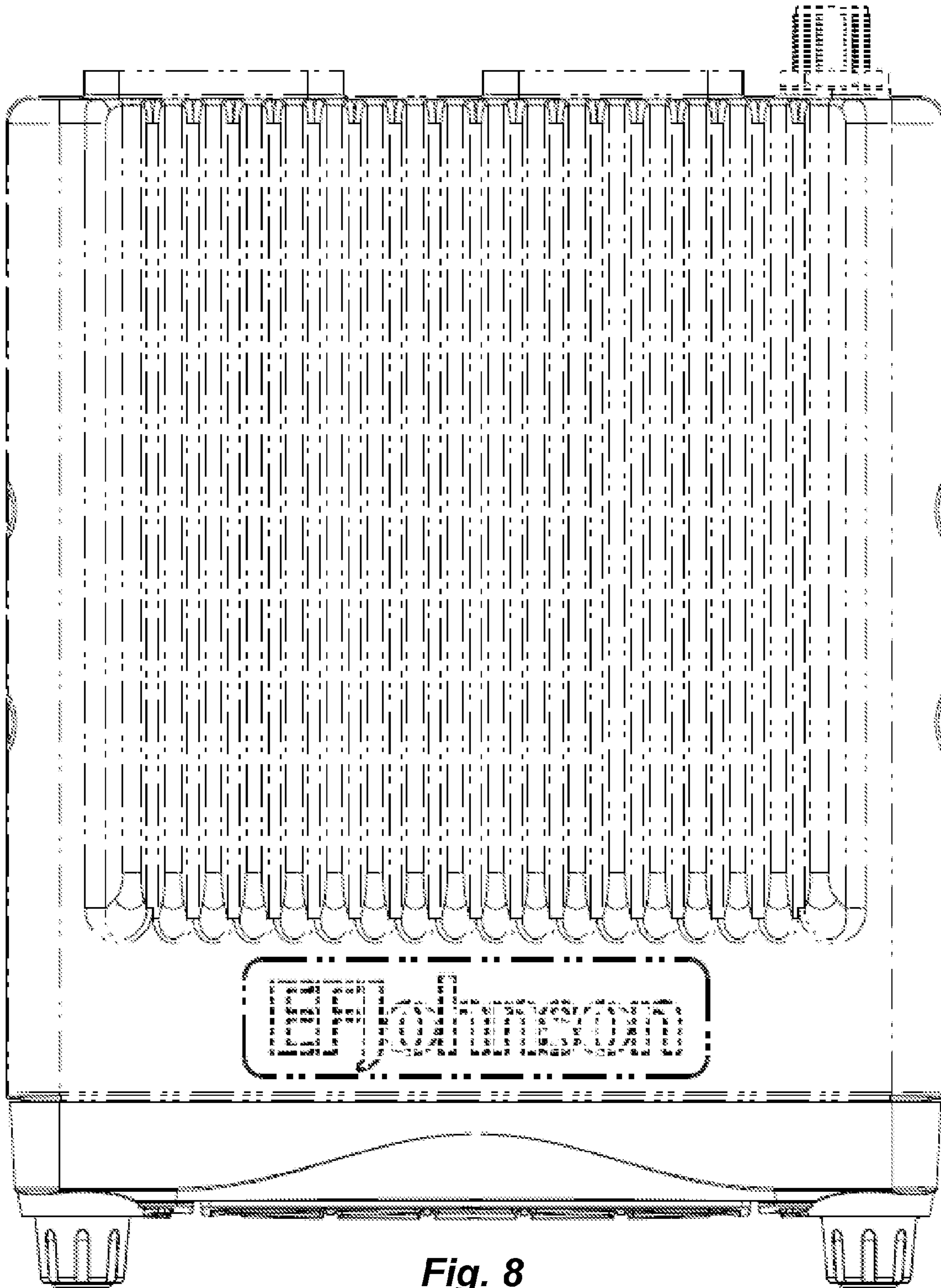


**Fig. 6**

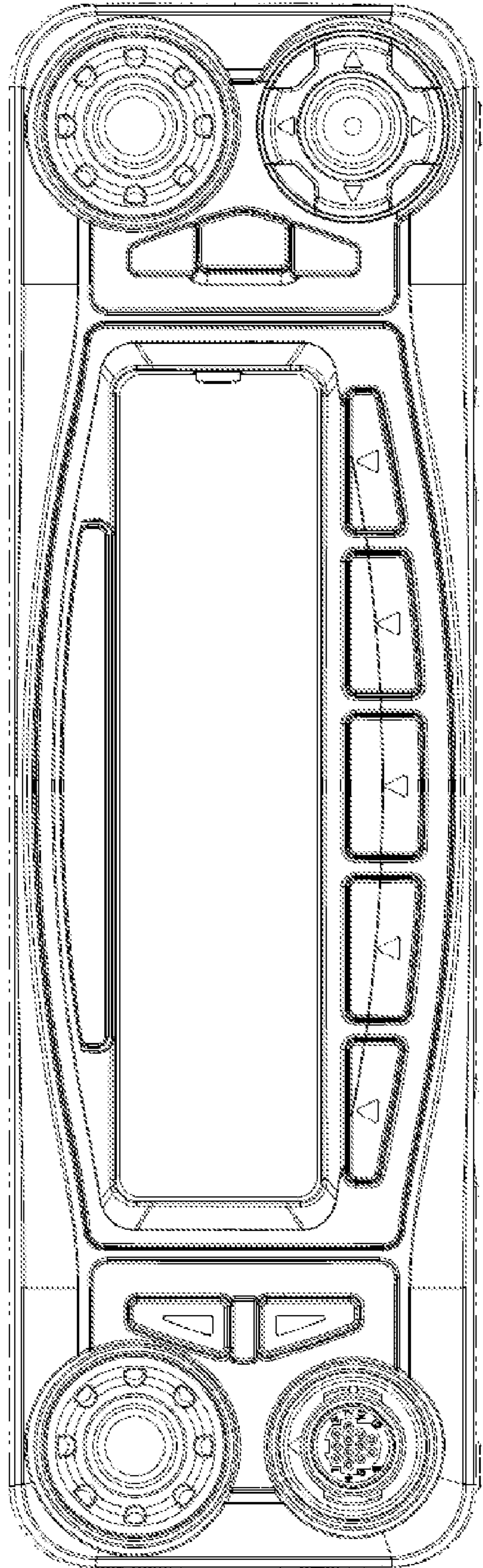


**Fig. 7**

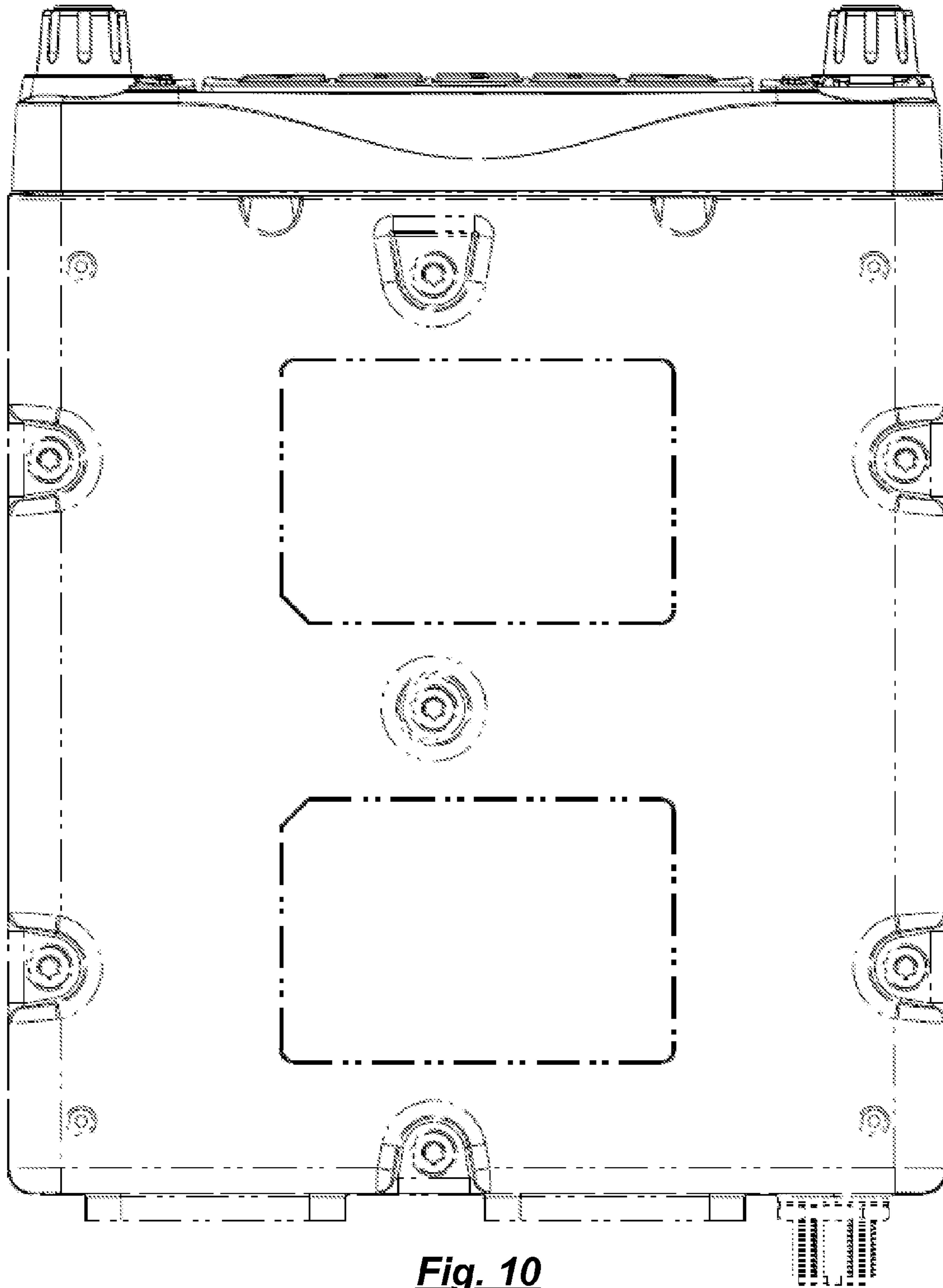




**Fig. 8**

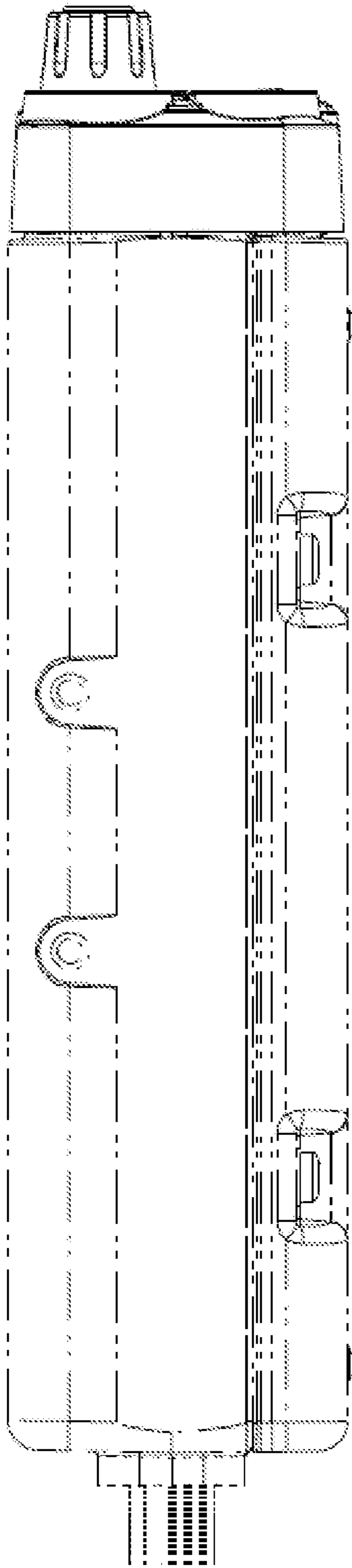


**Fig. 9**

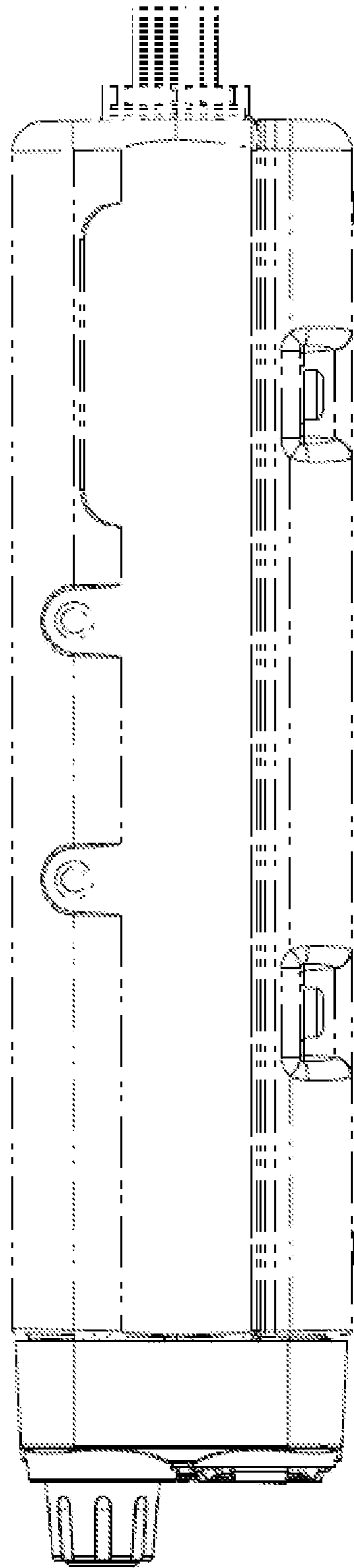


***Fig. 10***

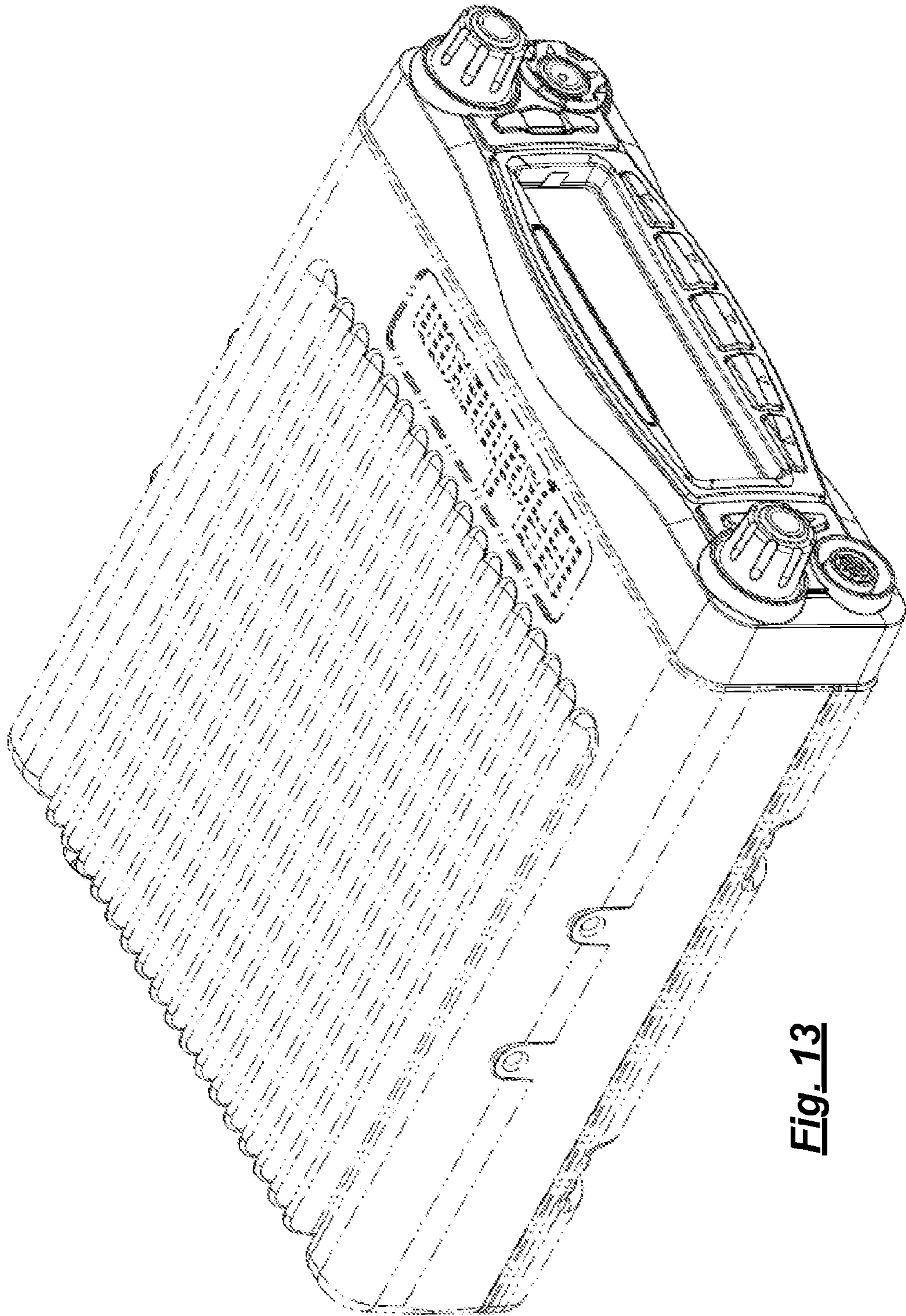




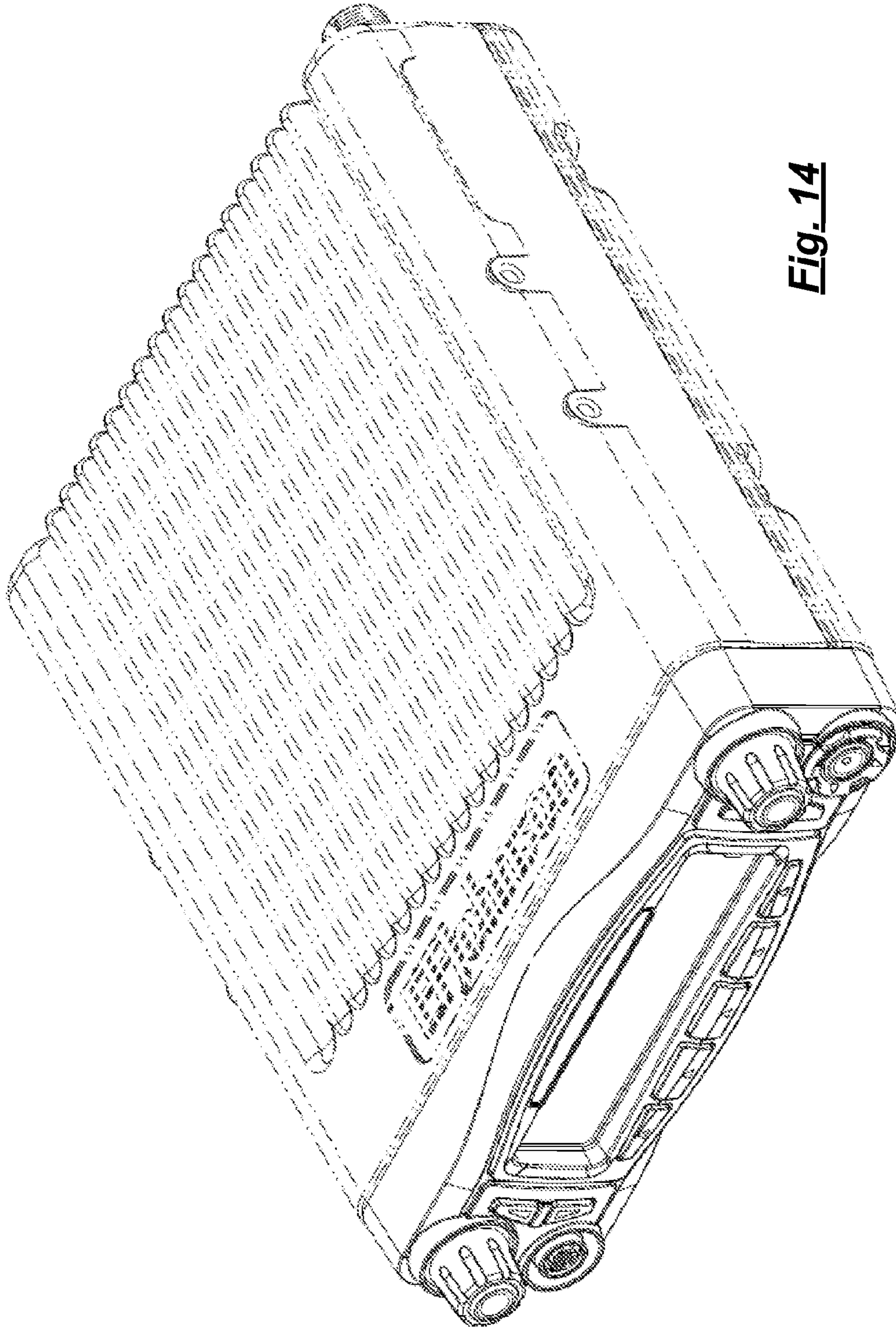
**Fig. 11**



**Fig. 12**



**Fig. 13**



**Fig. 14**