



US00D636355S

(12) **United States Design Patent**
Tsai et al.

(10) **Patent No.:** **US D636,355 S**

(45) **Date of Patent:** **** Apr. 19, 2011**

(54) **LIGHT EMITTING DIODE ASSEMBLY**

(75) Inventors: **Ming-Sung Tsai**, Taipei (TW);
Hou-Kun Lin, Taipei County (TW)

(73) Assignee: **Edison Opto Corporation**, Taipei Hsien
(TW)

(**) Term: **14 Years**

(21) Appl. No.: **29/361,509**

(22) Filed: **May 12, 2010**

(51) **LOC (9) Cl.** **13-03**

(52) **U.S. Cl.** **D13/180**

(58) **Field of Classification Search** D13/180;
D26/2; 257/79, 80, 81, 88, 89, 95, 98, 99,
257/100, E33.058; 313/483, 498, 500; 362/555,
362/800

See application file for complete search history.

(56) **References Cited**

U.S. PATENT DOCUMENTS

5,617,441	A *	4/1997	Nakata et al.	372/70
6,862,304	B2 *	3/2005	Maurer et al.	372/36
D565,515	S *	4/2008	Chen	D13/180
D566,665	S *	4/2008	Liao et al.	D13/180
D575,243	S *	8/2008	Imai et al.	D13/180

D575,245	S *	8/2008	Yen	D13/180
D582,575	S *	12/2008	Liao et al.	D26/2
D585,847	S *	2/2009	Roberts et al.	D13/180
D586,303	S *	2/2009	Fuwa et al.	D13/180
2006/0220056	A1 *	10/2006	Lee	257/100
2010/0039806	A1 *	2/2010	Roberts et al.	362/231

* cited by examiner

Primary Examiner — Selina Sikder

(74) *Attorney, Agent, or Firm* — Rosenberg, Klein & Lee

(57) **CLAIM**

The ornamental design for a light emitting diode assembly, as shown and described.

DESCRIPTION

FIG. 1 is a perspective view of a light emitting diode assembly showing our new design.

FIG. 2 is a front elevational view thereof.

FIG. 3 is a rear elevational view thereof.

FIG. 4 is a left side elevational view thereof.

FIG. 5 is a right side elevational view thereof.

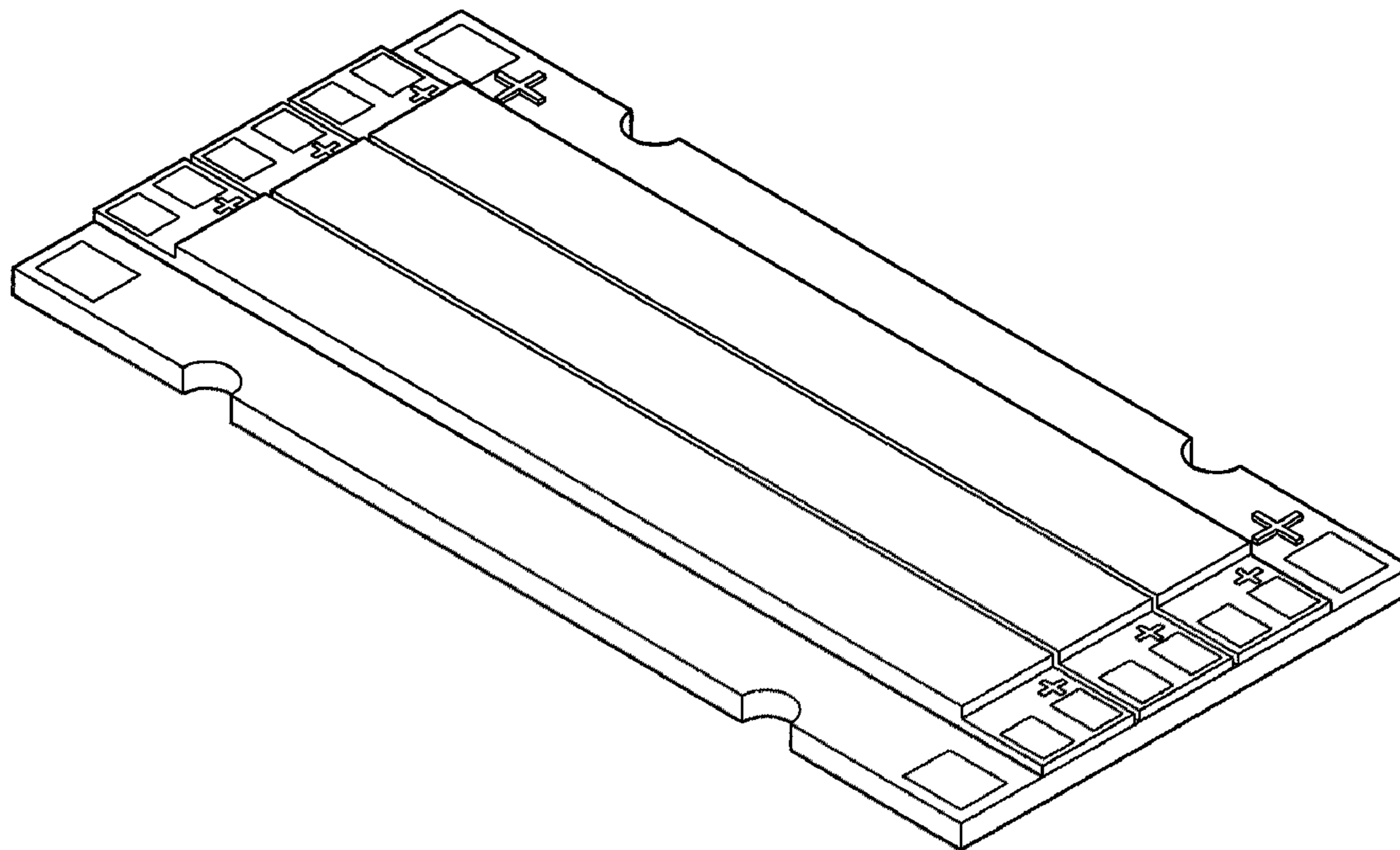
FIG. 6 is a top plan view thereof.

FIG. 7 is a bottom plan view thereof; and,

FIG. 8 is an exploded view thereof.

The broken lines in the Figures are for illustrative purposes only and form no part of the claimed design.

1 Claim, 6 Drawing Sheets



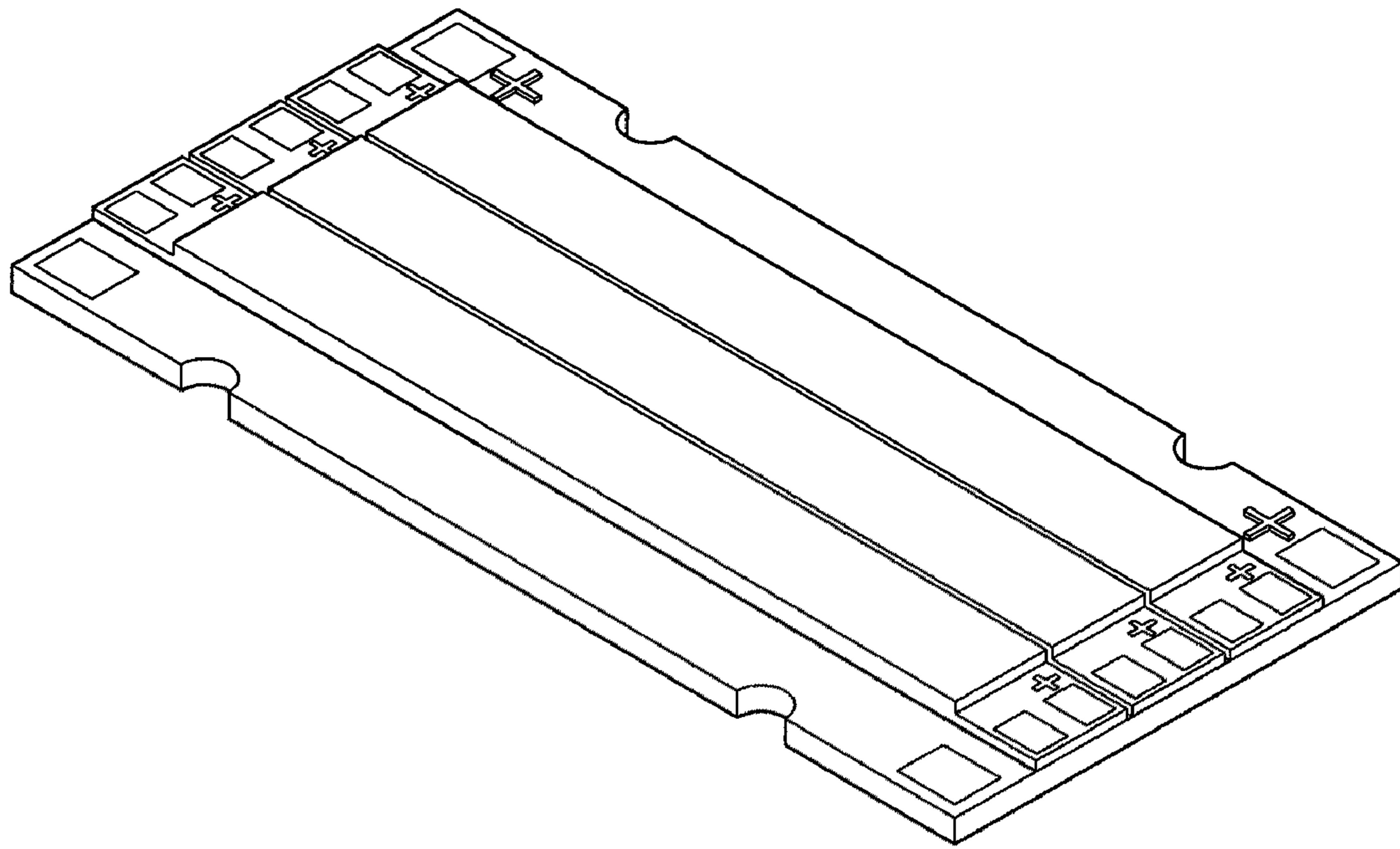


FIG.1

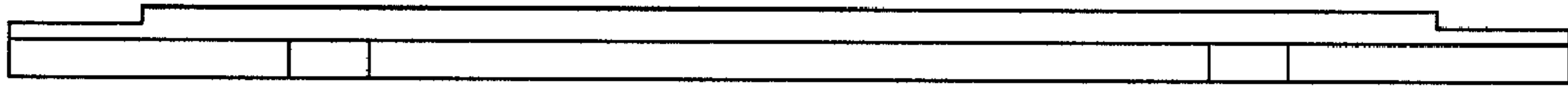


FIG. 2



FIG. 3

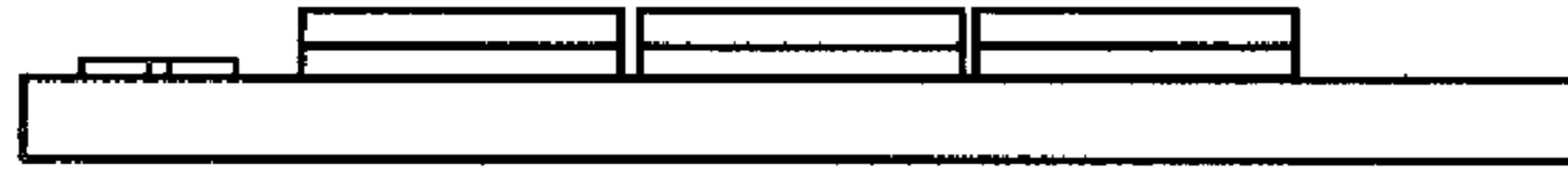


FIG. 4



FIG. 5

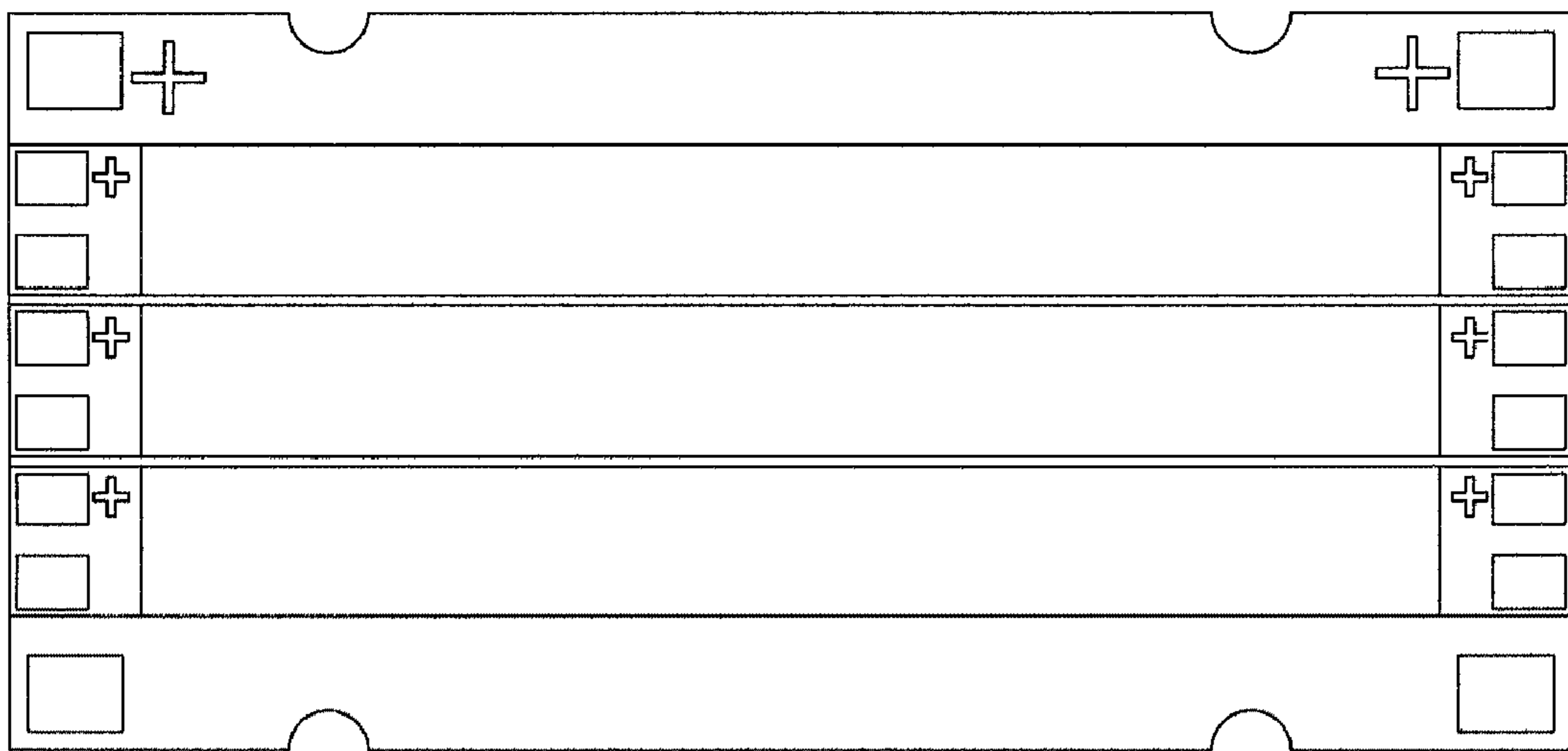


FIG. 6

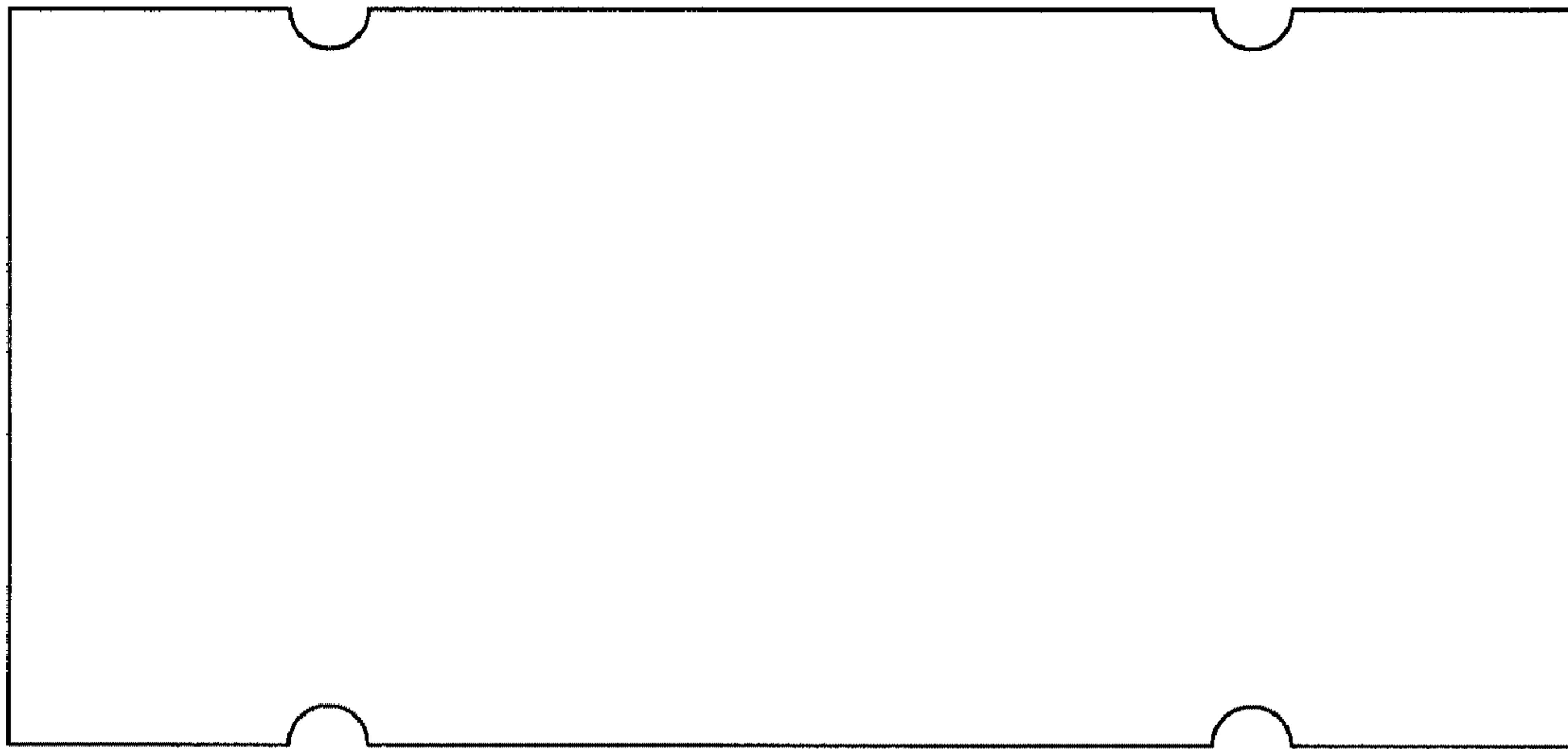


FIG. 7

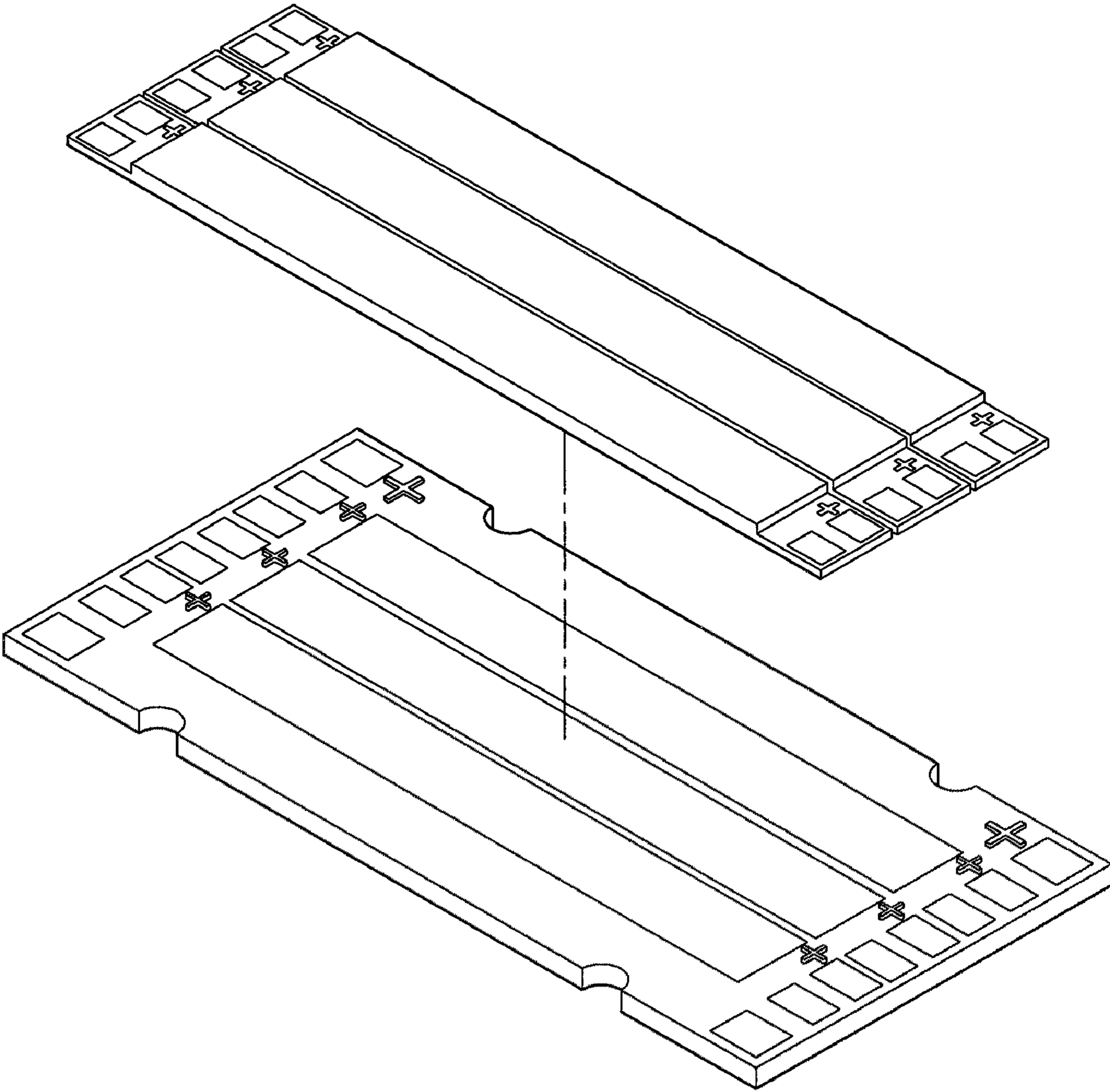


FIG.8