



US00D636351S

(12) **United States Design Patent**
Rodriguez et al.

(10) **Patent No.:** **US D636,351 S**

(45) **Date of Patent:** **** Apr. 19, 2011**

(54) **WALL SWITCH**

(75) Inventors: **Osbaldo Rodriguez**, Huntington Beach, CA (US); **Jonathan Ofalla**, Rosemead, CA (US)

(73) Assignee: **RGB Systems, Inc.**, Anaheim, CA (US)

(**) Term: **14 Years**

(21) Appl. No.: **29/352,064**

(22) Filed: **Dec. 15, 2009**

(51) **LOC (9) Cl.** **13-03**

(52) **U.S. Cl.** **D13/164**

(58) **Field of Classification Search** D13/158, D13/162, 164, 168, 171, 173, 174, 177, 184, D13/199; 200/5 R, 5 A, 1 B, 42.01, 229, 200/237, 293, 296, 308, 310, 313-314, 329, 200/331, 341, 406, 513, 520, 530, 302.1, 200/302.2, 315, 344; 174/48, 52.1, 66; D8/350-353; 361/620, 627; 220/241; 307/125, 307/139; 315/291-296; 338/68, 152, 163, 338/184, 198-200, 226; D10/108, 116, 118
See application file for complete search history.

(56) **References Cited**

U.S. PATENT DOCUMENTS

D297,508 S * 9/1988 Yandek et al. D8/353
D370,663 S * 6/1996 Swain et al. D13/168

D378,814 S * 4/1997 Adams et al. D13/164
D412,492 S * 8/1999 Gatchell et al. D13/164
D435,023 S * 12/2000 Carson et al. D13/177
D456,783 S * 5/2002 Mayo et al. D13/164
D465,460 S * 11/2002 Mayo et al. D13/164
D466,091 S * 11/2002 Bennett et al. D13/164
D523,823 S * 6/2006 McLellan et al. D13/164
D598,868 S * 8/2009 Nishiyama et al. D13/164
D598,869 S * 8/2009 Nishiyama et al. D13/164

* cited by examiner

Primary Examiner — Thomas J Johannes

(74) *Attorney, Agent, or Firm* — The Hecker Law Group, PLC

(57) **CLAIM**

The ornamental design for a wall switch, as shown and described.

DESCRIPTION

FIG. 1 is a perspective view of a wall switch of the present invention.

FIG. 2 is front elevation view of the wall switch of FIG. 1.

FIG. 3 is a perspective view of the wall switch of FIG. 1.

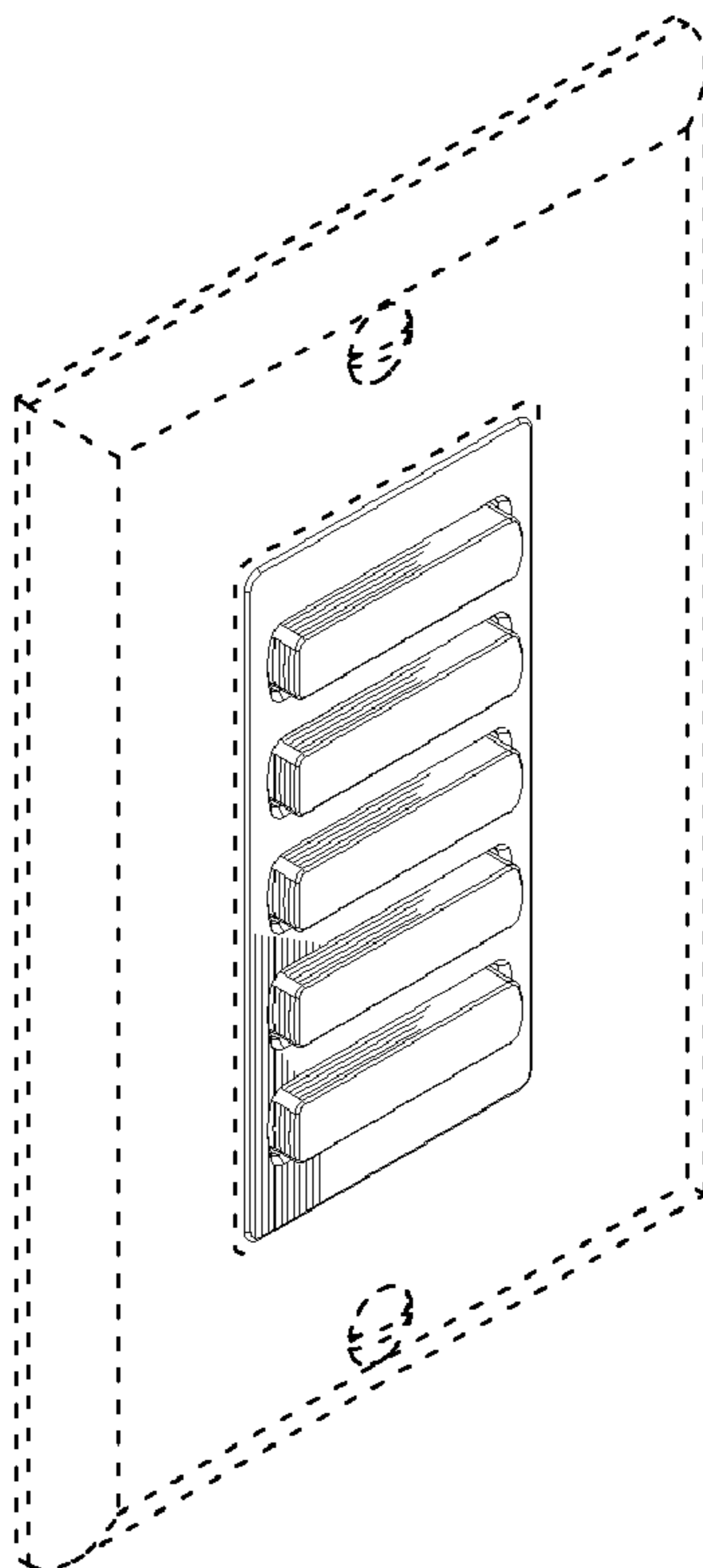
FIG. 4 is a left side elevation view of the wall switch of FIG. 1.

FIG. 5 is a right side elevation view of the wall switch of FIG. 1.

FIG. 6 is a top plan view of the wall switch of FIG. 1; and, FIG. 7 is a bottom plan view of the wall switch of FIG. 1.

The broken line portion of the figure drawings is included to show unclaimed subject matter only and forms no part of the claimed design.

1 Claim, 7 Drawing Sheets



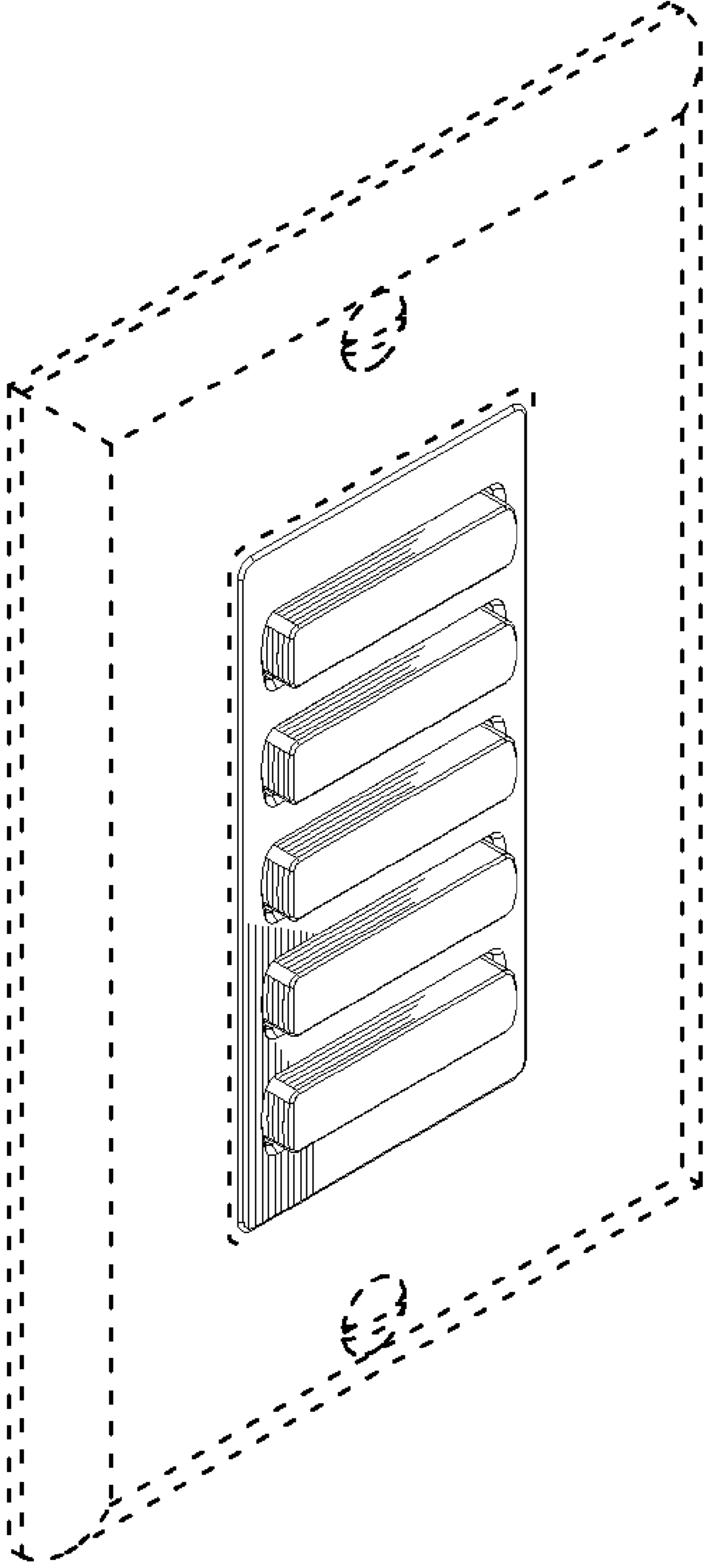


FIG.1

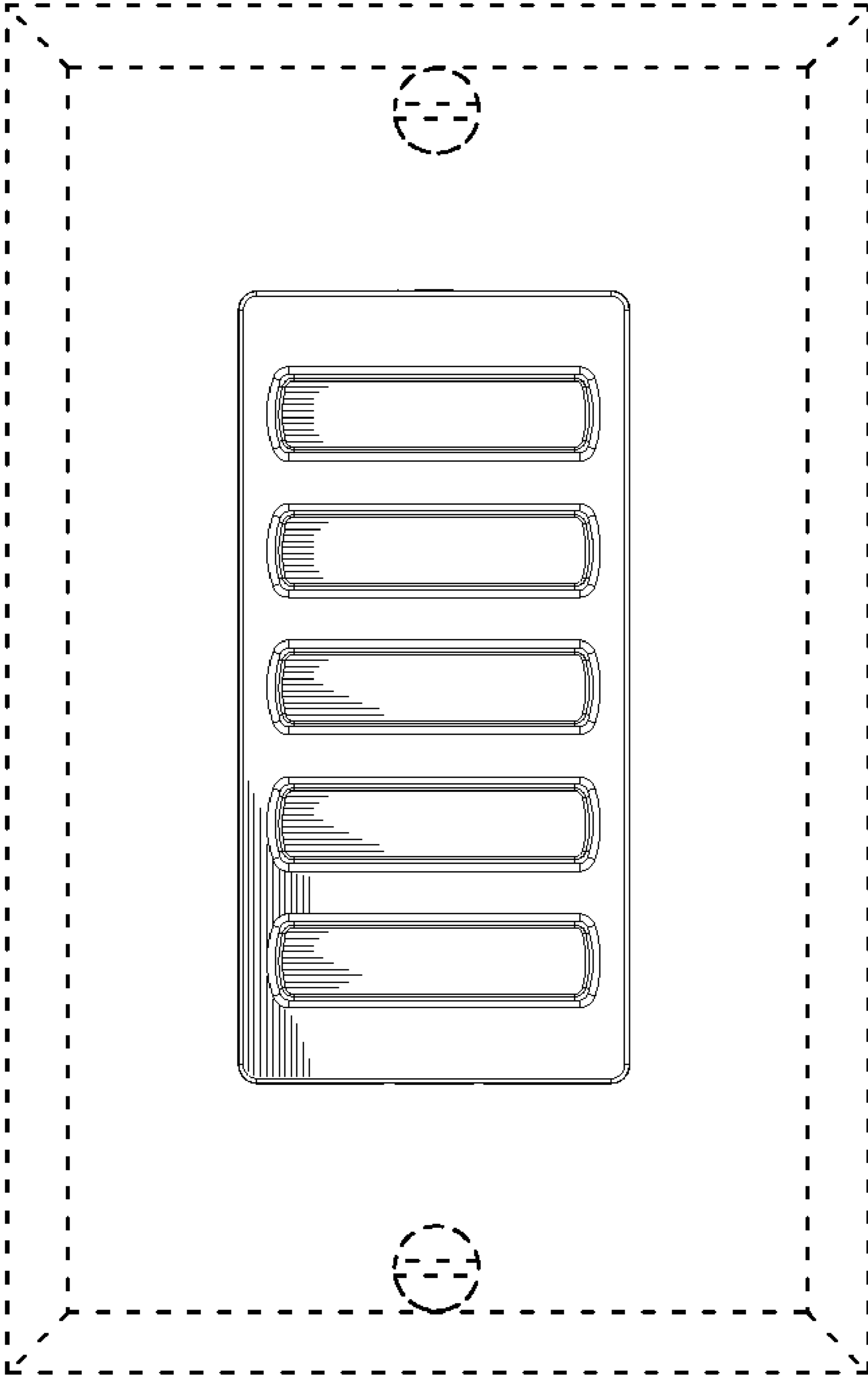


FIG.2

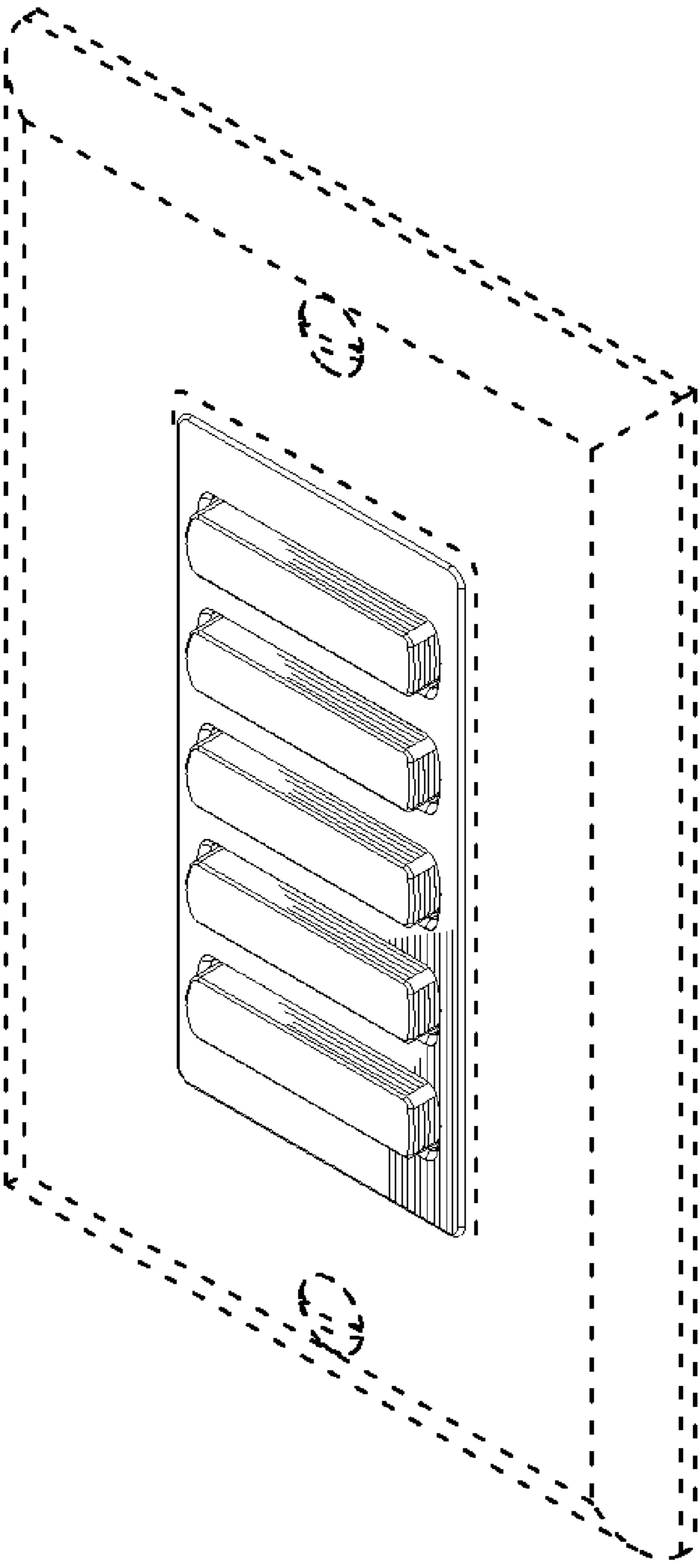


FIG.3

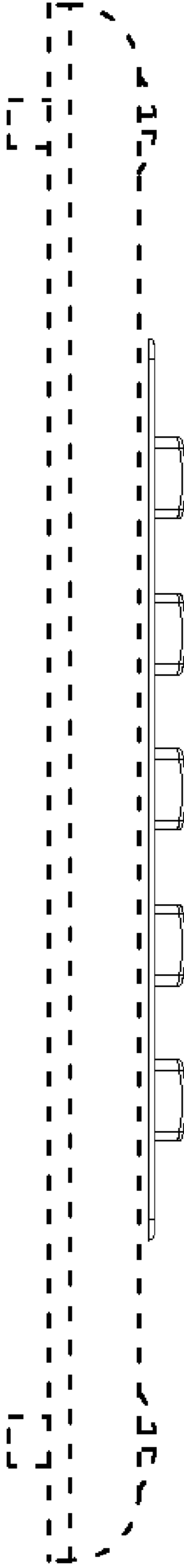


FIG.4

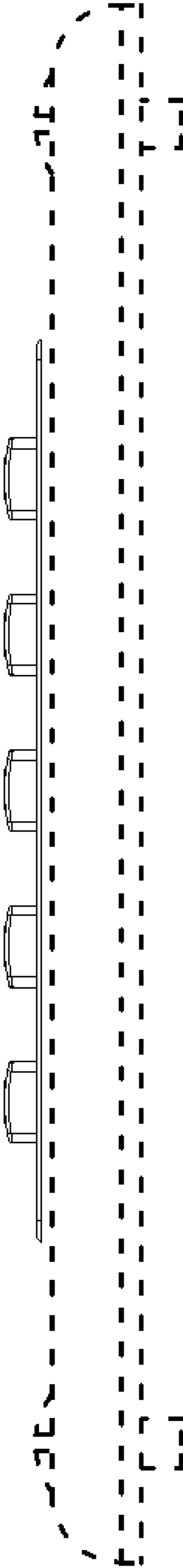


FIG.5

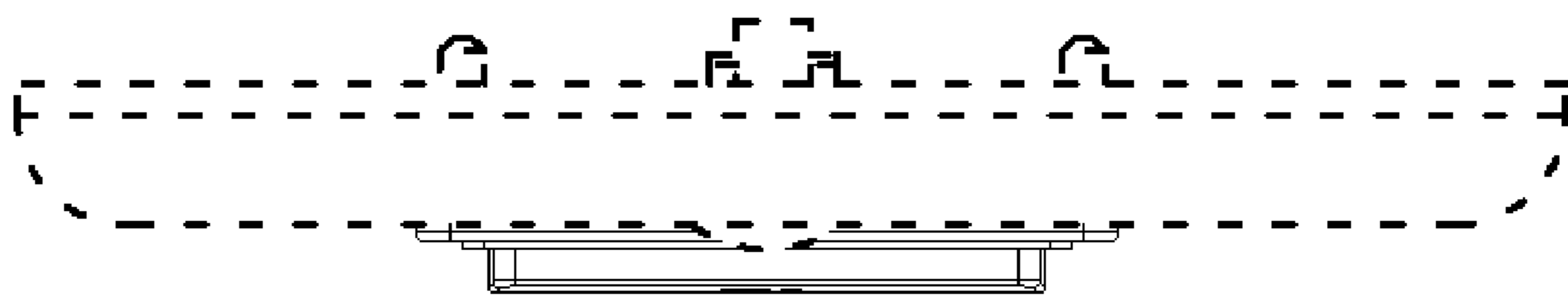


FIG.6



FIG.7